

Drawing



Hendi B.V.
 Steenoven 21
 3911 TX Rhenen
 The Netherlands

Batch #

301291 and up

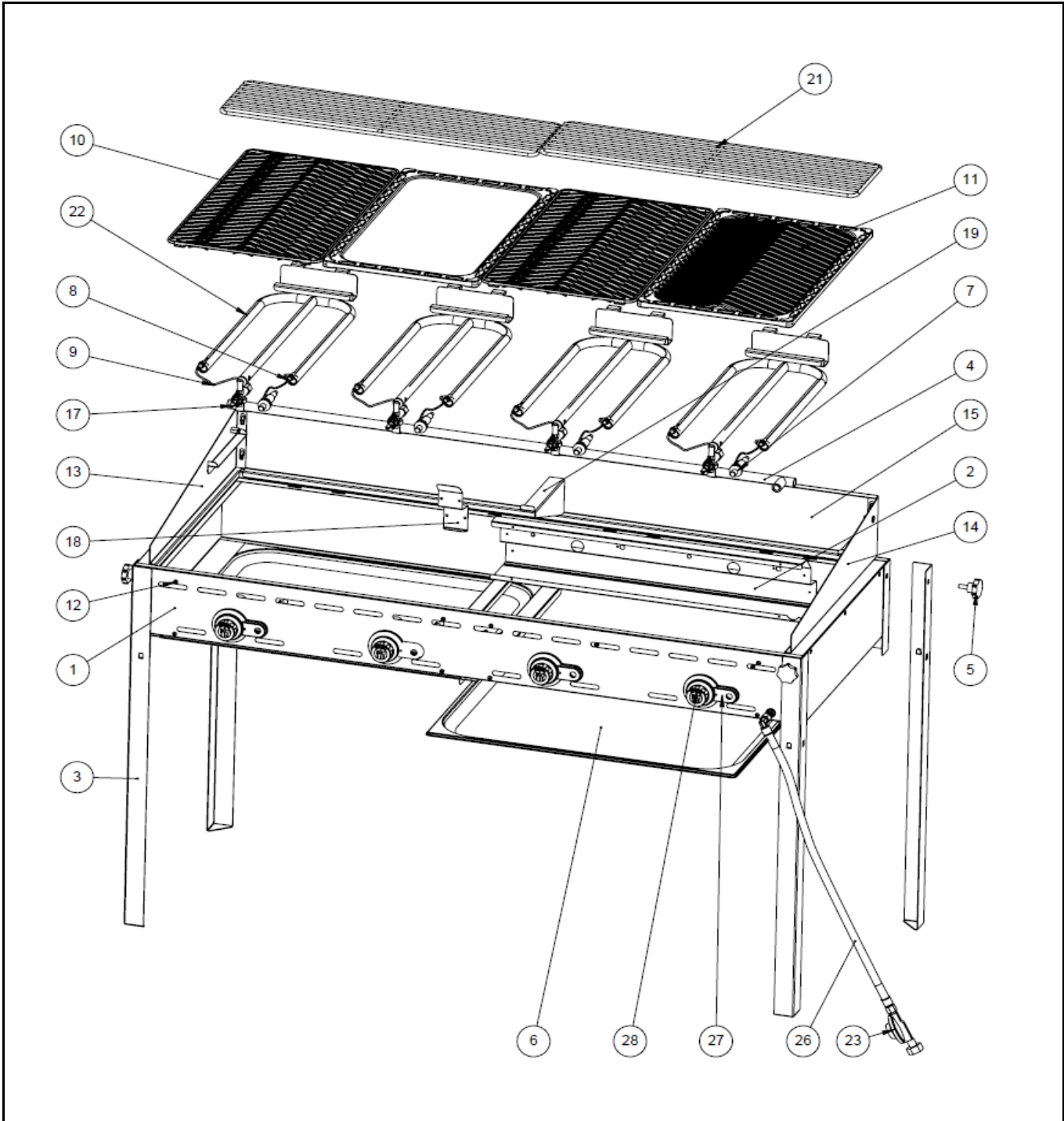
Appliance part#

149607


Description

Green Fire with 4 burners

Date	08-09-2017	Revision #	Revision version
Revision	First bill of materials (BOM)		



Bill of materials (BOM)

 HENDI FOOD SERVICE EQUIPMENT Hendi B.V. Steenoven 21 3911 TX Rhenen The Netherlands	Batch #	Appliance part#
	301291 and up	149607
	Description	
Green Fire with 4 burners		

Date	08-09-2017	Revision #	Revision version
Revision	First bill of materials (BOM)		

Item	Description	Part#	Quantity	Remark	Picture
1	Frame	n/a	1		
2	Heat shield	n/a	1		
3	Leg	932032	4		
4	Inlet pipe	n/a	1		
5	Knob	145128	4		
6	Grease tray GN2/1x20	806005	2		
7	Piezo igniter	153178	4		
8	Electrode with wiring 190mm	932087	4		
9	Thermocouple	152195	4	Incl. 2 pcs M8x1	
10	Cast iron grid	932018	2		
11	Cast iron griddle	932001	2		
12	Sheet metal screw	n/a	16		
13	Windscreen (left side)	932049	1		
14	Windscreen (right side)	932056	1		
15	Windscreen (back side)	933947	1		
17	Gas valve	932100	4		
18	Bracket	n/a	1		
19	Grid support	933954	1		
20	Screw M4x5	n/a	4		
21	Grid	932025	2		
22	Gas burner (green fire)	932070	4		
23a	Regulator 50mBar	152157	1		
23b	Regulator 37mBar	152188	1		
23c	Regulator 37mBar UK	153161	1	*Note Only for the United Kingdom	
24	Washer	n/a	4		
25	Nut M12x1	n/a	4		
26	Hose assembly	932094	1	(incl. quick connect coupling)	
27	Base plate	nss	1	Available in 932117	
28	Knob complete	932117	1	Incl. item 27	

n/a -> not available

nss -> not sold separately