



Tools for Chefs

HEAVY DUTY MIXER - 7 LITER

222829



You should read this user manual carefully before using the appliance.

Bevor Sie das Gerät in Betrieb nehmen, sollten Sie diese Gebrauchsanweisung aufmerksam lesen.

Alvorens de apparatuur in gebruik te nemen dient u deze gebruiksaanwijzing aandachtig te lezen.

Przed uruchomieniem urządzenia należy koniecznie dokładnie przeczytać niniejszą instrukcję obsługi.

Lisez attentivement ce mode d'emploi avant d'utiliser l'appareil .

Prima di utilizzare l'apparecchio in funzione leggere attentamente le istruzioni per l'uso.

Citiți cu atenție prezentul manual de utilizare înainte de folosirea aparatului.

Внимательно прочитайте руководство пользователя перед использованием прибора.

Πρέπει να διαβάσετε αυτές τις οδηγίες χρήσης προσεκτικά πριν χρησιμοποιήσετε τη συσκευή.

A készülék használatá előtt figyelmesen olvassa el ezt a felhasználói kézikönyvet.



Keep these instructions with the appliance.
Diese Gebrauchsanweisung bitte beim Gerät aufbewahren.
Bewaar deze handleiding bij het apparaat.
Zachowaj instrukcję urządzenia
Gardez ces instructions avec cet appareil.
Conservate le istruzioni insieme all'apparecchio.
Păstrați manualul de utilizare alături de aparat.
Хранить руководство вместе с устройством.
Φυλάξτε αυτές τις οδηγίες μαζί με τη συσκευή.
Tartsa ezeket az utasításokat a készülékkel együtt.




For indoor use only.
Nur zur Verwendung im Innenbereich.
Alleen voor gebruik binnenshuis.
Do użytku wewnątrz pomieszczeń.
Pour l'usage à l'intérieur seulement.
Destinato solo all'uso domestico.
Doar pentru uz la interior.
Использовать только в помещениях.
Για χρήση μόνο σε εσωτερικό χώρο.
Kizárólag beltéri használatra.



Dear Customer,

Thank you for purchasing this HENDI appliance. Before using the appliance for the first time, please read this manual carefully, paying particular attention to the safety regulations outlined below.

Safety regulations


- This appliance is not intended for household use.
- The appliance must only be used for the purpose for which it was intended and designed. The manufacturer is not liable for any damage caused by incorrect operation and improper use.
- Keep the appliance and electrical plug away from water and any other liquids. In the event that the appliance should fall into water, immediately remove plug from the socket and do not use until the appliance has been checked by a certified technician. Failure to follow these instructions could cause a risk to lives.
- Never attempt to open the casing of the appliance yourself.
- Do not insert any objects in the casing of the appliance.
- Do not touch the plug with wet or damp hands.
-  **Danger of electric shock!** Do not attempt to repair the appliance yourself. In case of malfunctions, repairs are to be conducted by qualified personnel only.
- **Never use a damaged appliance!** Disconnect the appliance from the electrical outlet and contact the retailer if it is damaged.
- **Warning!** Do not immerse the electrical parts of the appliance in water or other liquids. Never hold the appliance under running water.
- Regularly check the power plug and cord for any damage. If the power plug or power cord is damaged, it must be replaced by a service agent or similarly qualified persons in order to avoid danger or injury.
- Make sure the cord does not come in contact with sharp or hot objects and keep it away from open fire. To pull the plug out of the socket, always pull on the plug and not on the cord.
- Ensure that the cord (or extension cord) is positioned so that it will not cause a trip hazard.
- Always keep an eye on the appliance when in use.
- **Warning!** As long as the plug is in the socket the appliance is connected to the power source.
- Turn off the appliance before pulling the plug out of the socket.
- Never carry the appliance by the cord.
- Do not use any extra devices that are not supplied along with the appliance.
- Only connect the appliance to an electrical outlet with the voltage and frequency mentioned on the appliance label.
- Connect the power plug to an easily accessible electrical outlet so that in case of emergency the appliance can be unplugged immediately. To completely switch off the appliance pull the power plug out of the electrical outlet.
- Always turn the appliance off before disconnecting the plug.

EN



- Never use accessories other than those recommended by the manufacturer. Failure to do so could pose a safety risk to the user and could damage the appliance. Only use original parts and accessories.
- This appliance is not intended for use by persons (including children) with reduced physical, sensory or mental capabilities, or lack of experience and knowledge.
- This appliance must not be used by children under any circumstances.
- Keep the appliance and its cord out of reach of children.
- Always disconnect the appliance from the mains if it is left unattended or is not in use, and before assembly, disassembly or cleaning.
- Never leave the appliance unattended during use.

Special Safety Regulations

- Use the machine only as described in this manual.
- This machine should be operated and installed by specialized trained personnel in the kitchen of the food industry such as catering, bakery, pizza, pastry, etc.
- All maintenance, installation and repair works should be performed by specialized trained authorized technicians.
-  An equipotential bonding terminal is provided at the rear side of the appliance to allow cross bonding with other equipment.
- Do not place the machine on a heating object (gasoline, electric, charcoal cooker, etc.) Keep the appliance away from any hot surfaces and open flames. Always operate the machine on a level, stable, clean, heat-resistant and dry surface.
- Do not use the machine near explosive or flammable materials, credit cards, magnetic discs or radios.
- Wear protective clothing, mask, or protective glasses if necessary during operation.
- This machine is not intended to be operated by means of an external timer or separate remote-control system.
- Never bypass any safety interlocks on the machine.
- **WARNING:** Keep all ventilation openings in the appliance clear of obstruction.
- **WARNING: ALWAYS** switch off the machine and unplug from electrical power supply before cleaning, maintenance or changing attachments.
- Allow at least 30 cm spacing around the appliance for ventilation purpose during use.
- **Caution!** Securely route the power cord if necessary in order to prevent unintentional pulling or contact with the heating surface.
- **WARNING! ALWAYS** keep hands, long hair and loose clothing away from the moving parts.
- Do not put hands into the guarded area and mixing bowl when the machine is in operation.
- Do not load too much ingredients in order to prevent overflow of the food products. Maximum capacity of the bowl is 10 litres for 222836, 222966 and 20 litres for 222843, 222973.
- Do not wash the machine with water or a waterjet. Washing with water can cause leakage and increase the risk of electric shock. No parts are dishwasher safe.

- Do not clean or store the machine unless it is completely cooled down.
- Special care should be taken when moving or transporting the machine as it is too heavy. With at least 2 people or using a trolley for assistance. Move the machine slowly, carefully and never be inclined over 45°C.

Intended use

- The appliance is intended for professional use and can be operated only by qualified personnel.
- The appliance is designed for mixing, kneading and emulsifying/whipping food products operated in the food industry and shops. Any other use may lead to damage to the appliance or personal injury.
- Operating the appliance for any other purpose shall be deemed as a misuse of the device. The user shall be solely liable for improper use of the device.

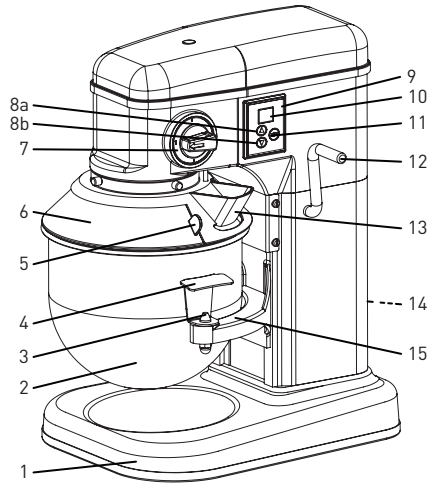
Grounding installation

This appliance is classified as protection class I appliance and must be connected to a protective ground. Grounding reduces the risk of electric shock by providing an escape wire for the electric

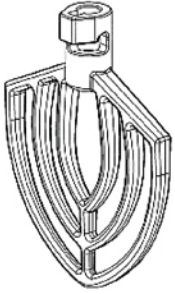
current. This appliance is equipped with a cord having a grounding wire with a grounding plug. The plug must be plugged into an outlet that is properly installed and grounded.

Main parts of the machine

1. Base of the machine
2. Bowl
3. Guided pins (x2)
4. Bowl handles (x2)
5. Bowl guard handle
6. Bowl guard
7. Speed control knob
- 8a. Timer (Increase time setting)
- 8b. Timer (Decrease time setting)
9. Control panel
10. Display of timer
11. ON / OFF Switch
12. Lift up / Lower bowl lever
13. Built in ingredient chute
14. RESET button (at the rear)
15. Bowl cradle



Attachments



Flat beater



Dough hook



Whisk

Preparations before installation

- Carefully unbolt the machine from the skid using wrench if necessary.
- Remove all protective packaging and wrapping.
- Check the machine for completeness and transport damages. In case of incomplete delivery (e.g. Whisk, flat beater and dough hook) or damage, contact supplier immediately. DO NOT use the

machine. (See == > Warranty).

- Clean the machine and attachments before use (See ==> Cleaning and Maintenance).
- Make sure the appliance is completely dry.
- Keep the packaging if you intend to store your appliance in the future.

Installation

- Read this manual thoroughly and carefully before installation and operation.
- Ensure the machine is placed in a dry area that have sufficient strength surface to support with no any obstruction during operation nearby.
- Ensure that the electrical power supply corresponds with the rating label on the machine.
- There should have adequate space around the

machine for the operator to operate. It should be clean and free from obstructions, e.g. Nothing placed on or around the machine, such as scrapers, knives etc.

- Do not wear loose fitting clothing such as scarf, etc and long hair should be tied up and keep away from the moving parts.

CAUTION! Never bypass any safety switch.

Transportation and handling

- Do not move the machine while it is under operation.
- Unplug the machine, remove the bowl (2) and all attachments (whisk, flat beater or dough hook) when moving the machine.

- Hold the base of the machine (1) when moving to have better support.
- With at least 2 people or using trolley for assistance to move the machine due to heavy weight.

Special safety features

Attention: This machine has the following 3 safety switches. The machine only be started with all the safety switches are at the proper positions

- Bowl position safety switch: The machine can be started up once the bowl is positioned at the correct position.
- Bowl guard (5) safety switch: The machine can only be started up once the bowl guard (5) is in the closed position.

- Lift up lever (12) safety switch: The machine can only be started up once the lift up lever (12) is located in the upwards position.

Do not wear loose fitting clothing such as scarf, etc and long hair should be tied up and keep away from the moving parts



Operation

To avoid serious personal injury:

- DO NOT operate the machine without reading the instruction manual.
- ALWAYS switch OFF the machine and unplug from electrical power supply before cleaning, maintenance, repair or changing any attachments.
- ALWAYS keep hands, hair and loose clothing away from the moving parts.

a) About the bowl guard

Note: When bowl guard (6) is open or not properly closed in lock position, the machine will not operate.

1. To open the bowl guard (6), hold the bowl guard handle (5) and rotate it clockwise. To close the bowl guard (6), hold the bowl guard handle (5) and rotate it anti-clockwise.
2. When the bowl guard handle (5) is lined up at the right side of the machine, the bowl guard (6) is in the is in the rocked position and ready for operation.

b) Install the bowl (2) to the machine

Note: Install the bowl (2) BEFORE fixing the attachments. Use the supplied bowl (2) only.

1. Lower the bowl by pulling the bowl lift-up lever (12) downwards until it stops. So that the bowl cradle (15) is in a lower position.
2. Place the bowl (2) carefully and slowly using the bowl handles (4) at 2 sides and
 - i) With the locking pin into the hole at the middle of the bowl cradle (15) and
 - ii) Align with guided pins on 2 sides of the bowl cradle (15).



c) Install different attachments (Flat beater, Dough hook or Whisk) to the machine

Note: It is more convenient and easier to install the attachments prior to adding the ingredients into the bowl (2).

1. Rotate the bowl guard (6) clockwise gently, so that it is in the open position.
2. **CAUTION!** Use excessive force to open or close the bowl guard (6) may damage the safety lock micro switch. Be careful when open or close the bowl guard (6).
3. Slide the attachments (Flat beater, Dough hook or Whisk) slowly upwards onto the planetary shaft fitting the shaft pin through the slot in the attachments.
4. Rotate the attachments to secure it onto the planetary shaft.

d) Pouring and mixing ingredients

Note: Follow the table of Mixing ingredients capacity in this manual. Overloading will lead to overflow or damage to the machine.

IMPORTANT: Make sure the speed control lever (7) is set at the position 1.

1. Add all the appropriate ingredients into the bowl (2).
2. Lift upwards the bowl lift lever (12) until the bowl (2) locks into the position.
3. Rotate the bowl guard (6) anti-clockwise and locks into the position.

Attention: The machine will not start if the bowl guard (6) is open / not closed properly or the bowl (2) is at the lower position.



e) Set the timer, speed & start up the machine

1. You can set the timer for the appropriate mixing time or operate without setting the timer.

a) Operation with timer set:

Press Time + (8a) button to increase the time or Time – (8b) button to decrease the time. Press the red ON/OFF button (11) to confirm.

Remaining time will be shown and dot blinks on the display (10).



b) Operation without timer set:

The machine will switch OFF automatically in 10 minutes as the default timer is 10 minutes.

Note: i) Maximum setting time is 60 minutes. Default time is 10 minutes.

ii) Press and hold increase time + (8a) or decrease (8b) button for fast adjustment.

2. Then, select the appropriate speed by lifting or lowering the speed control lever (7). Three fixed speeds are available: first (1), second (2) and third (3).

Rotation speed

Type of ingredient

1 (Low)	Heavy: Mixing pizza, bread, pasta and
2 (Medium)	Medium: 2nd stage of mixing for donut dough, etc.
3 (High)	Light: Whipping cream, egg whites, meringue.

IMPORTANT: ALWAYS follow the recommended attachment used and speed setting according to the capacity table.

ATTENTION: Be careful about the risk of dust and flour escape when slitting of bags of ingredient into bowl (2). Wear protective mask or glasses if necessary.

3. After that, press the red (ON / OFF) button (11) on the control panel (9) to switch ON the machine. Press again to switch OFF the machine. The machine will rotate in clockwise direction.

4. CAUTION! ALWAYS STOP the machine BEFORE changing speeds. Failure to do so may damage the internal gear construction.

5. To change the speed during the operation:

- Press the red (ON / OFF) button (11) on the control panel (9) to switch OFF the machine.
- Change the speed by raising or lowering the speed control lever (7).
- Press the red (ON / OFF) button (11) on the control panel (9) to restart the machine.

RESET the Hi-limiter (thermal cut-out)

Please note that the RESET button (14) is located at the rear of the machine in order to prevent overheated.

- Unplug the machine from the electrical power outlet first.

- Let the machine to cool down completely.
- Press the RESET button (14) of the Hi-limiter (thermal cut-out)
- Then, plug into the electrical power outlet and start up the machine again.

Mixing ingredients capacity

Below table is just a reference about the maximum quantity for making the different food. There are many factors affecting such as the type of the flour, temperature of water, etc.

Product	Attachment	Max. quantity	
Egg white	Whisk	700g	
Mashed potato	Flat beater	1,500g	
Meringue (Qty of water)	Whisk	1 litre	
Waffle or pancake batter	Flat beater	2 litres	
Whipped cream	Whisk	3 litres	
Pizza dough (Medium, 50% water)	Dough hook, speed (1)	1,500g	
Pizza dough (Thick, 60% water)	Dough hook, speed (1)	2,000g	
Sponge cake	Whisk, speed (1)	1,000g	
Pie Dough	Flat beater, speed (1)	1,500g	
Bread or Roll Dough (Light/ Medium, 60% water)	Dough hook, speed (1)	Water 500g	Flour 800g

Cleaning and Maintenance

Attention: Always unplug the appliance from the electrical power outlet and let it cool down completely before cleaning, maintenance, repair & storage.

Cleaning

- Always remove all the attachments before easy cleaning, otherwise it will become stuck on the shaft and difficult to remove later.
- Clean the machine and its attachments thoroughly after each use and ensure all food residues are removed.
- Never immerse the appliance in water or other liquids.
- Clean the surface with a slightly damp cloth or sponge with some mild soap solution.
- Never use abrasive sponges, detergents, steel wool or metallic utensils to clean the interior or exterior parts of the appliance.
- DO NOT wash the appliance with water or water-jet. Washing with water can cause leakage and increase the risk of electric shock.
- No any parts or attachments are dishwasher safe.

EN

Recommended cleaning procedure:

Parts	How to clean	Frequency
Bowl	Using a sponge or damp cloth with mild soap and water, rinse, sanitize and dry thoroughly.	Clean after each use
Attachments (Dough hook, beater and whisk)	Hand wash using mild soap and water, rinse, sanitize and dry thoroughly.	Clean after each use
Bowl guard	Hand wash using a sponge or damp cloth with mild soap and water, rinse, sanitize and dry thoroughly.	Clean after each use
Outer surface	Wipe with a clean damp cloth using soap and water, rinse, sanitize and dry. Do not use water jet.	Twice a week
Planetary Shaft	Wipe with a clean damp cloth using soap and water, rinse, sanitize and dry.	Clean after each use



Storage

- Before storage, always make sure the appliance has already been disconnected from the electrical outlet and cooled down completely.
- Store the appliance in a cool, clean and dry place.

Troubleshooting

If the machine does not function properly, please check the below table for the solution. If you are still unable to solve the problem, please contact the supplier/service provider. **DO NOT repair yourself.**

Problems	Possible causes	Possible solution
Machine do not start running	Bowl guard (6) is not in properly closed position.	Rotate the bowl guard (6) to the right until fully closed properly.
	Bowl (2) is not raised to the proper location.	Raise the bowl (2) to the correct position by using the level (12).
	The power plug is not connected properly.	Check to make sure the power plug is connected properly.
Machine stops during operation	Internal overload activates to prevent overheat.	Press OFF the button (11) and then press RESET button (14) at the back.
	Damage or broken transmission belt	Check with the supplier
Machine sound too noisy	Machine is not placed on a horizontal surface.	Adjust the surface or move to another horizontal surface.
	Bowl (2) is not placed correctly.	Make sure the bowl (2) is placed into the bowl cradle (15) correctly with the guided pins (3).
	Attachments not fitted properly.	Remove and install the attachments into position again.
	Bowl is overloaded.	Reduce ingredients capacity.
	Damaged or worn transmission belt. Planetary gear needs lack of lubricant.	Check with the supplier.
Attachments cannot install onto the planetary shaft easily	Lack of lubricant and / or cleaning of the planetary shaft required.	Wipe planetary shaft with a clean damp cloth and lubricate the shaft with mineral oil or grease.
Lift up / Lower bowl lever (12) not operation easily	Lack of lubricant on the bowl slides.	Lubricate bowl slides with mineral oil or grease.

Technical specification

Item no.: 222829

Operating voltage and frequency: 220- 230V~ 50/60Hz

Rated input power: 650W

Protection class: class I

Waterproof protection class: IP21

Maximum capacity: 7 litres (800g of flour + 500g of water)

Rotation speed (rpm): Flat beater (250); Dough hook (128); Whisk (540)

Dimension: 240x420x(H)425mm

Net weight: approx. 21kg

Noise level: < 70 dB (A)

Remark: Technical specification is subjected to change without prior notification.



Exploded drawing and part list

- The exploded drawing and part list consists of 4 main parts:
- Main body of the machine (Figure 1);

- Gear assembly (Figure 2);
- Bowl lifting assembly (Figure 3);
- Bowl guard and turning axle (Figure 4).

Machine part list of Figure 1

Part no.	Part name	Quantity
1	Screw cover	1
2	Top cover screw	1
3	Top cover	1
4	Screws M5x8	10
5	Motor assembly	1
6	Spring washer	7
7	Screws M6x16	3
8	Screws M6x20	4
9	Rear cover	1
10	Stand	1
11	Cable connector	1
12	Earth grounding	1
13	Ventilation holes cover	1
14	Screws M4x8	4
15	Screws M6x20	4
16	Base cover	1
17	Bowl cradle	1
18	Bowl slide cover	1
19	Connection bar	1
20	Pin 6x18	1
21	Top body	1
22	Bearing cover	1
23	Spring washer	4
24	Screws M5x20	6
25	Centre axle cover	1
26	Gear axle cover	2
27	Washer Ø26	2
28	Washer Ø32	2
29	Switch cover plate	1

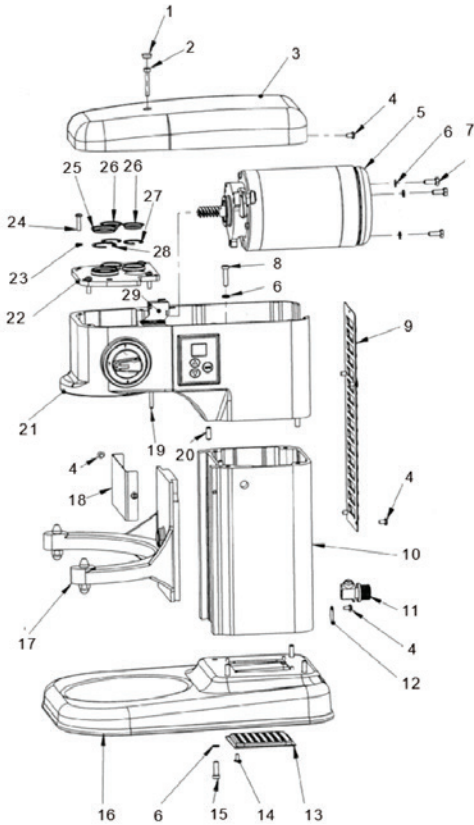


Figure 1: Main body of the machine



Machine part list of Figure 2

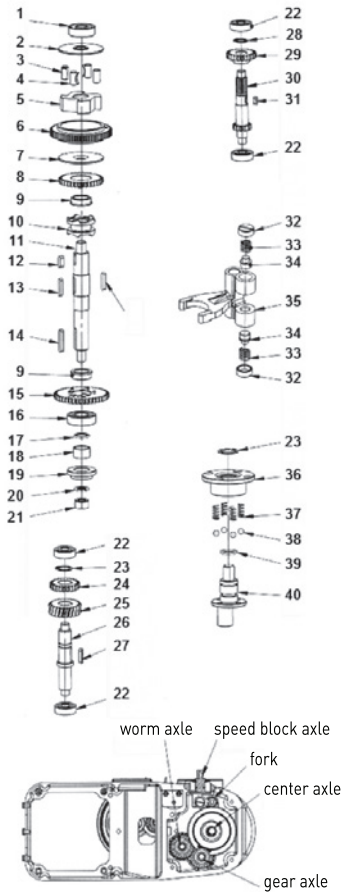


Figure 2: Gear assembly

Part no.	Part name	Quantity
1	Bearing	1
2	Cover	1
3	Rollers	4
4	Springs	4
5	Engager	1
6	Gear ring	1
7	Dividing ring	1
8	Joint gear	1
9	Bearing ring	2
10	Joint	1
11	Centre axle	1
12	Key 5x14	1
13	Key 4x22	2
14	Key 4x28	1
15	Joint gear	1
16	Bearing	1
17	O' ring 16x1,8	1
18	Centre axle sleeve	1
19	Big joint gear sleeve	1
20	Spring ring Ø10	1
21	Nut (M10)	1
22	Bearing	4
23	Stop ring Ø16	2
24	Gear	1
25	Worm gear	1
26	Worm gear axle	1
27	Key 4x18	1
28	Spring ring Ø13	1
29	High speed gear	1
30	Gear axle	1
31	Key 4x10	1
32	Fork's nut	2
33	Fork's springs	2
34	Fork's small axles	2
35	Rigid support	1
36	Speed blocks	1
37	Springs	4
38	Steel ball	4
39	O-ring	1
40	Speed block axle	1

Machine part list of Figure 3

Part no.	Part name	Quantity
1	Pin 3X16	1
2	Handle fixing unit	1
3	Spring washer 6	1
4	Screw M6x10	1
5	Lifting bar	1
6	Microswitch bracket	1
7	Screw M4x6	2
8	Microswitch	1
9	Screw M3x12	2
10	Screw M6x14	2
11	Lifting bar support plate	1
12	Flat washer 10	1
13	Flat washer 12	2
14	Sleeve	1
15	Handle	1
16	Screw M8x16	1
17	Elastic cylindrical (Pin 3X18)	1
18	Flat washer 8	3
19	Spring	1
20	Nut (M8)	1
21	Micro switch	1
22	Switch connector	1
23	Switch support	1
24	Switch rack	1
25	Cover knob	1
26	Nut	2
27	Spring washer	2
28	Bowl cradle arm	1
29	Guided pins	2

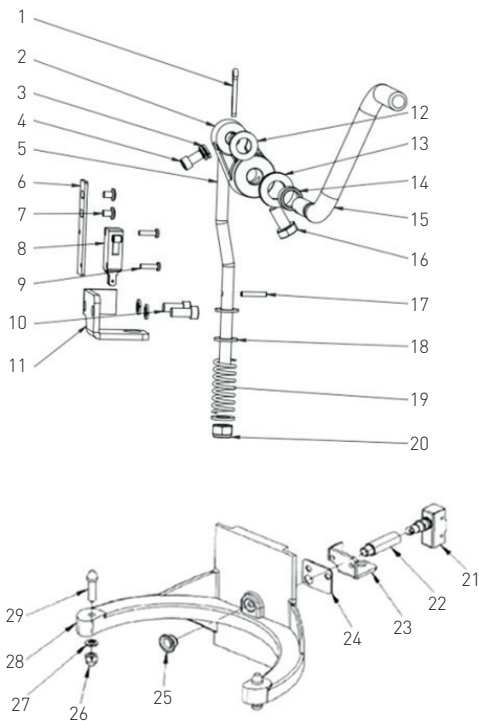
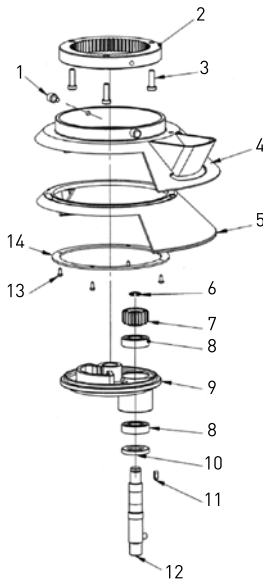


Figure 3: Bowl lifting assembly of the machine





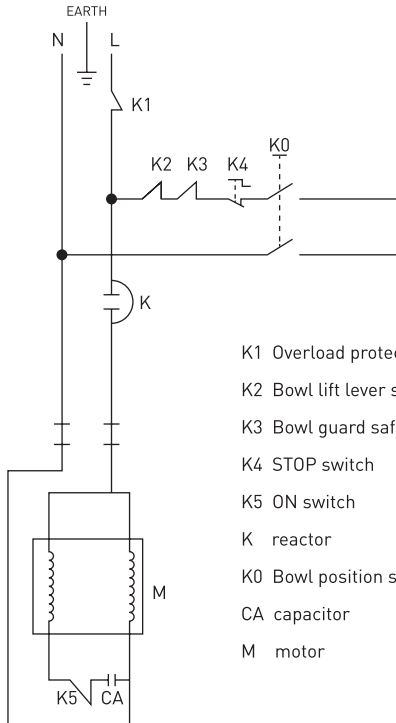
Machine part list of Figure 4

Part no.	Part name	Quantity
1	Insert	2
2	Inner gear	1
3	Screws M6x20	4
4	Bowl guard (outer)	1
5	Bowl guard (inner)	1
6	Spring washer Ø12	1
7	Planetary gear	1
8	Bearing	1
9	Turning plate	1
10	Oil seal ring	1
11	Pin 4x10	1
12	Mixing axle	1
13	Screws	4
14	Bowl guard ring	1

Figure 4: Bowl guard and turning axle

Circuit diagram

EN



K1 Overload protection (Thermal cut-out)

K2 Bowl lift lever safety switch

K3 Bowl guard safety switch

K4 STOP switch

K5 ON switch

K reactor

K0 Bowl position safety switch

CA capacitor

M motor

Warranty

Any defect affecting the functionality of the appliance which becomes apparent within one year after purchase will be repaired by free repair or replacement provided the appliance has been used and maintained in accordance with the instructions and has not been abused or misused in any way. Your statutory rights are not affected. If the appliance is claimed under warranty, state where and

when it was purchased and include proof of purchase (e.g. receipt).

In line with our policy of continuous product development we reserve the right to change the product, packaging and documentation specifications without notice.

Discarding & Environment

When decommissioning the appliance, the product must not be disposed of with other household waste. Instead, it is your responsibility to dispose of your waste equipment by handing it over to a designated collection point. Failure to follow this rule may be penalized in accordance with applicable regulations on waste disposal. The separate collection and recycling of your waste equipment at the time of disposal will help conserve natural re-


sources and ensure that it is recycled in a manner that protects human health and the environment. For more information about where you can drop off your waste for recycling, please contact your local waste collection company. The manufacturers and importers do not take responsibility for recycling, treatment and ecological disposal, either directly or through a public system.



Sehr geehrte Kundin, sehr geehrter Kunde,

wir danken Ihnen für den Kauf des Gerätes HENDI. Machen Sie sich bitte mit dieser Anleitung noch vor der Inbetriebnahme des Gerätes vertraut, um Schäden durch die unsachgemäße Bedienung zu vermeiden. Den Sicherheitsregeln ist besondere Aufmerksamkeit zu widmen.

Sicherheitsregeln


- Die unsachgemäße Bedienung des Geräts kann zur schweren Beschädigung des Geräts sowie zu Verletzungen führen.
- Dieses Gerät ist nicht für den Hausgebrauch bestimmt.
- Das Gerät ist ausschließlich zu dem Zweck zu benutzen, zu dem es hergestellt wurde. Der Hersteller haftet nicht für Schäden, die auf unsachgemäße Bedienung des Geräts zurückzuführen sind.
- Den Kontakt des Gerätes und des Steckers mit Wasser oder einer anderen Flüssigkeit vermeiden. Den Stecker unverzüglich aus dem Stecker ziehen und das Gerät von einem anerkannten Fachmann prüfen lassen, wenn das Gerät unbeabsichtigterweise ins Wasser fällt. Bei Nichteinhaltung dieser Sicherheitsvorschriften besteht Lebensgefahr.
- Nie eigenständig das Gehäuse des Gerätes zu öffnen versuchen.
- In das Gehäuse des Gerätes keine Gegenstände einführen.
- Den Stecker nicht mit nassen oder feuchten Händen berühren.
-  **Gefahr eines Stromschlags!** Das Gerät darf nicht selbstständig repariert werden. Sämtliche Mängel und Unzulänglichkeiten sind ausschließlich durch qualifiziertes Personal zu beseitigen.
- **Niemals ein beschädigtes Gerät benutzen!** Das beschädigte Gerät vom Netz trennen und sich mit dem Verkäufer in Verbindung setzen.
- **Warnung:** Die Elektroteile des Gerätes dürfen weder in Wasser noch in andere Flüssigkeiten getaucht werden. Ebenso ist das Gerät nicht unter fließendes Wasser zu halten.
- Der Stecker und die Stromversorgungsleitung sind regelmäßig auf Beschädigungen zu prüfen. Der beschädigte Stecker oder Leitung sind an eine Servicestelle oder einer anderen qualifizierten Person zur Reparatur zu übergeben, um eventuellen Gefahren und Verletzungen des Körpers vorzubeugen.
- Man muss sich davon überzeugen, ob die Stromversorgungsleitung weder mit scharfkantigen noch mit heißen Gegenständen in Berührung kommt; halten Sie die Leitung weit entfernt von einer offenen Flamme. Um den Stecker aus der Netzsteckdose zu nehmen, muss man immer am Stecker und nicht an der Leitung ziehen.
- Die Stromversorgungsleitung (oder Verlängerungsleitung) ist vor dem zufälligen Herausziehen aus der Steckdose zu schützen. Die Stromversorgungsleitung muss so geführt werden, dass niemand zufällig darüber stolpern kann.
- Das Gerät muss während seiner Anwendung ständig kontrolliert werden.
- **Warnung!** Wenn der Stecker in der Netzsteckdose ist, muss man das Gerät als an die Stromversorgung angeschlossen betrachten.
- Bevor der Stecker aus der Netzsteckdose genommen wird, ist das Gerät auszuschalten.

DE



- Das Gerät darf beim Tragen nicht an der Leitung gehalten werden.
- Benutzen Sie kein Zubehör, das nicht mit diesem Gerät mitgeliefert wurde.
- Das Gerät muss man ausschließlich an die Steckdose mit solch einer Spannung und Frequenz anschließen, wie auf dem Typenschild angegeben wird.
- Stecken Sie den Stecker in die Steckdose, die an einem leicht und bequem zugänglichen Ort angeordnet ist, und zwar so, dass das Gerät bei einer Störung sofort abgeschaltet werden kann. Um das Gerät vollständig auszuschalten, muss man es von der Stromquelle trennen. Zu diesem Zweck muss man den Stecker, der sich am Ende der vom Gerät getrennten Leitung befindet, aus der Netzsteckdose ziehen.
- Vor dem Abtrennen des Steckers ist das Gerät auszuschalten!
- Benutzen Sie kein Zubehör, das nicht vom Hersteller empfohlen wird. Die Anwendung vom nicht empfohlenen Zubehör stellt eine Gefahr für den Nutzer dar und kann zur Beschädigung des Gerätes führen. Benutzen Sie ausschließlich Ersatzteile und Zubehör im Original.
- Dieses Gerät eignet sich nicht für den Gebrauch durch Personen (gilt auch für Kinder) mit geringerer Motorik, Sensorik oder geistiger Fähigkeit oder mangelhafter Erfahrung und Wissen.
- Auf keinen Fall darf das Bedienen des Gerätes durch Kinder zugelassen werden.
- Das Gerät mit Stromversorgungsleitung ist außerhalb der Reichweite von Kindern zu lagern.
- Ebenso muss dafür gesorgt werden, dass die Kinder das Gerät nicht zum Spielen benutzen.
- Das Gerät ist immer dann von der Stromversorgung zu trennen, wenn es ohne Aufsicht bleiben soll bzw. auch vor der Montage, Demontage und Reinigung.
- Während der Nutzung darf das Gerät nicht ohne Aufsicht gelassen werden.

Besondere Sicherheitsvorschriften

- Der Planetenmixer sollte nur von qualifiziertem Küchenpersonal in den Verkaufsstellen der Lebensmittelindustrie, z.B. Cateringleistungen, Bäckereien, Pizzerien, Konditoreien usw. montiert und bedient werden.
- Sämtliche Wartungs- und Montagetätigkeiten sowie die Reparatur des Gerätes sollte von qualifizierten, dazu bevollmächtigten Technikern durchgeführt werden.
-  Hinten am Gerät befindet sich eine äquipotentielle Steckdose, die einen Kreuzanschluss an ein anderes Gerät ermöglicht.
- Stellen Sie den Planetenmixer nicht auf ein Objekt, das Wärme emittiert (Gas- oder Elektroherd, Grill, usw.). Außerdem muss man das Gerät von irgendwelchen heißen Flächen bzw. offener Flamme fernhalten. Das Gerät ist auf eine ebene, stabile, saubere und trockene Fläche zu stellen, die auch gegen hohe Temperaturen beständig ist.
- Verwenden Sie das Gerät nicht in der Nähe von explosiven oder leicht brennbaren Materialien, Zahlkarten, Magnetplatten oder Rundfunkempfängern.
- Falls notwendig, dann muss man während der Bedienung des Gerätes Schutzkleidung, Schutzmaske oder Schutzbrille anlegen.



- Der Planetenmixer ist nicht für die Bedienung durch eine externe Schaltuhr oder getrenntes Fernsteuerungssystem geeignet.
- An den Sicherheitsblockaden darf nicht manipuliert werden.
- **WARNUNG:** Die Belüftungsöffnungen des Gerätes dürfen nicht verdeckt werden.
- **WARNUNG:** Vor dem Reinigen, der Wartung oder dem Wechseln des Zubehörs muss man **IMMER** daran denken, das Gerät auszuschalten und von der Stromversorgungsquelle zu trennen.
- Rund um das Gerät muss man einen Abstand von mindestens 30 cm gewährleisten, damit eine richtige Belüftung ermöglicht wird.
- **Hinweis!** Man muss auch die Stromversorgungsleitung entsprechend führen und sichern, damit einem zufälligen Ziehen vorgebeugt bzw. der Kontakt mit der Heizplatte vermieden wird.
- **WARNUNG! Es ist IMMER** daran zu denken; Keine lose Kleidung tragen und die beweglichen Teile des Gerätes nicht mit der Hand berühren bzw. auch die Haare zusammenzubinden.
- Während des Betriebes des Planetenmixers darf man die Hände weder unter die Abdeckung noch in die Schüssel legen.
- Legen Sie keine zu große Mengen der Zutaten in die Schüssel, damit einem Überlaufen des Inhalts vorgebeugt wird. Die Schüssel hat Platz für maximal 10 Liter (Modell 222836, 222966) oder 20 Liter (Modell 222843, 222973).
- Waschen Sie das Gerät nicht mit Wasser oder auch nicht mit einem starken Wasserstrahl. Das Waschen des Gerätes mit Wasser kann zur Folge haben, dass in die elektrischen Teile Wasser gelangt und dadurch ein elektrischer Stromschlag hervorgerufen werden kann. Die Teile des Gerätes dürfen auch nicht in einer Geschirrspülmaschine gewaschen werden.
- Am Lagerort darf man das Gerät weder reinigen noch aufbewahren, bevor es nicht völlig abgekühlt ist.
- Während des Herumtragens des Gerätes muss man in Bezug auf sein Gewicht besonders vorsichtig sein. Das Gerät muss von 2 Personen getragen oder mit einem Wagen verlagert werden. Tragen Sie das Gerät langsam und vorsichtig, wobei es nicht mehr als in einem Winkel von 45° geneigt wird.

Verwendungszweck des Gerätes

- Dieses Gerät ist für den professionellen Gebrauch bestimmt und darf nur von qualifiziertem Personal bedient werden.
- Das Gerät ist für den gewerblichen Einsatz bestimmt und dient zum Mixen, Kneten und Emulgieren/Schlagen von Lebensmittelprodukten an den Stellen der Lebensmittelindustrie und in den Geschäften bestimmt. Die Verwendung des Gerätes für andere Zwecke kann zu seiner Beschädigung sowie zu Körperverletzungen führen.
- Jede andere Verwendung des Gerätes gilt als nicht bestimmungsgemäß. Der Benutzer ist allein verantwortlich für die unsachgemäße Nutzung des Gerätes.

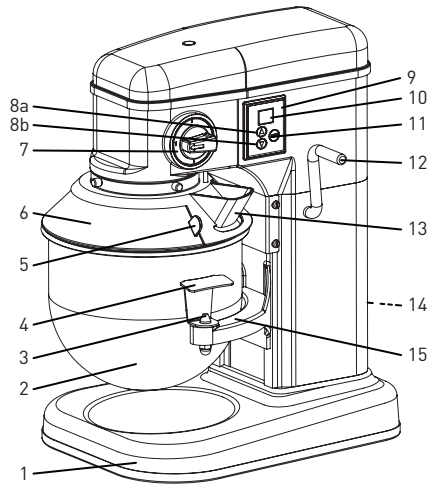
Montage der Erdung

Der Mixer ist ein Gerät der I. Schutzklasse und erfordert eine Erdung. Die Erdung verringert das Risiko eines Stromschlags, da der elektrische Strom über den Schutzleiter abgeleitet wird. Das Gerät ist

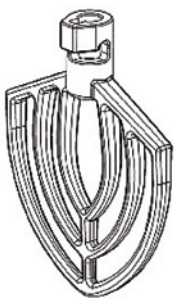
mit einem Schutzleiter mit Erdungskontakt ausgerüstet. Der Stecker muss an die Netzsteckdose angeschlossen werden, die entsprechend montiert und geerdet wurde.

Hauptteile des Planetenmixers

1. Grundplatte des Gerätes
2. Schüssel
3. Blockadebolzen (x 2)
4. Halterungen der Schüssel (x 2)
5. Griff der Schüsselabdeckung
6. Schüsselabdeckung
7. Drehknopf zur Regelung der Geschwindigkeit
- 8a. Schaltuhr (Erhöhung des Zeitwertes)
- 8b. Schaltuhr (Verringerung des Zeitwertes)
9. Steuerpanel
10. Display der Schaltuhr
11. Schalter (ON/OFF)
12. Hebel zum Anheben/Absenken der Schüssel
13. Eingebauter Trichter zum Einschütten der Zutaten
14. Taste RESET (hinten am Gerät)
15. Stütze der Schüssel



Zubehör



Flacher Rührer



Haken zum Teigkneten



Schneebesen

Vor der Montage

- Vorsichtig die Schrauben abdrehen, die das Gerät am Stützelement befestigen; wenn nötig – mit Hilfe eines Schraubenschlüssels.
- Verpackung und die Sicherungen abnehmen und entfernen.
- Prüfen Sie das Gerät in Bezug auf Vollständigkeit und eventueller Transportschäden. Bei nicht vollständiger Anlieferung (z.B. Zubehöerteile fehlen) oder Beschädigungen des Gerätes muss

man sich sofort mit dem Lieferanten in Verbindung setzen und man darf in diesem Fall das Gerät NICHT benutzen. (Siehe ==> Garantie).

- Gerät und Zubehör reinigen (Siehe ==> Reinigung und Wartung).
- Es ist auch zu prüfen, ob das Gerät völlig trocken ist.
- Bewahren Sie die Verpackung auf, wenn Sie Ihr Gerät in Zukunft lagern wollen.



Montage

- Vor der Montage und Nutzung des Gerätes muss man die Anleitung sehr aufmerksam lesen und den Inhalt der Anleitung kennenlernen.
- Überzeugen Sie sich, ob das Gerät auf eine trockene Fläche mit entsprechender Festigkeit gestellt wurde, und zwar auch an eine Stelle, wo ein einfacher Zugang zum Gerät gewährleistet ist.
- Man muss sich auch überzeugen, ob die Spezifikation des Gerätes auf dem Typenschild den Parametern der Elektrosteckdose entspricht, an die das Gerät angeschlossen werden soll.
- Um dem Bediener den richtigen Funktionsbe-

trieb zu ermöglichen, muss ein entsprechender Freiraum rundum das Gerät eingehalten werden. Ebenso dürfen sich um das Gerät herum keine Gegenstände befinden, und zwar solche wie Schälleinrichtungen, Messer usw.

- Während der Arbeit mit dem Gerät darf man keine lose Kleidung tragen, wie z.B. Schals usw.; die Haare sind zusammenzubinden und man darf sich mit keinem Körperteil den rotierenden Elementen des Gerätes nähern.

HINWEIS! Niemals den Sicherheitsschalter abtrennen.

Transport und Bedienung des Gerätes

- Während des Betriebes darf man das Gerät nicht herumtragen.
- Wenn man das Gerät an einen anderen Ort tragen will, dann muss man zuerst den Stecker aus der Steckdose ziehen, die Schüssel (2) herausnehmen, das Zubehör abtrennen (Schneebesen, flacher Rührer oder Haken zum Teigmischen).

- Während des Herumtragens muss man das Gerät an der Grundplatte (1) ergreifen.
- In Bezug auf sein Gewicht muss das Gerät von 2 Personen getragen oder mit einem Wagen verlagert werden.

Besondere Sicherheitsmaßnahmen

Hinweis: Das Gerät ist mit 3 Sicherheitselementen ausgerüstet und es kann nur dann in Betrieb genommen werden, wenn sich alle Sicherheitselemente an den richtigen Stellen befinden.

- Schutzeinrichtung der Schüssel: Das Gerät darf erst dann in Betrieb genommen werden, wenn die Schüssel am Stützelement richtig angebracht wurde.
- Schutzeinrichtung für die Schüsselabdeckung (5): Das Gerät darf erst dann in Betrieb genommen werden, wenn die Abdeckung der Schüssel (5) richtig befestigt und blockiert wurde.

- Hebelsicherung (12): Das Gerät darf erst dann in Betrieb genommen werden, wenn der Hebel (12) sich in der oberen Position befindet.

Während der Arbeit mit dem Gerät darf man keine lose Kleidung tragen, wie z.B. Schals usw.; die Haare sind zusammenzubinden und man darf sich mit keinem Körperteil den rotierenden Elementen des Gerätes nähern.

Bedienung

Um ernsthafte Körperverletzungen zu vermeiden, muss man folgendes beachten:

- Bedienen Sie NIEMALS das Gerät, bevor Sie die vorliegende Anleitung kennengelernt haben.
- Vor dem Reinigen, der Wartung, Reparatur oder dem Wechsel vom Zubehör muss man IMMER an das Ausschalten und Abtrennen des Gerätes von der Stromversorgung denken.

- Denken Sie auch IMMER daran, dass keine lose Kleidung getragen wird, rotierende Teile des Gerätes nicht berührt und die Haare zusammengebunden werden.

a) Abdeckung der Schüssel

Hinweis: Wenn die Schüsselabdeckung (6) offen ist, dann wurde sie nicht richtig befestigt und geschlossen; das Gerät kann nicht in Betrieb genommen werden.

1. Um die Schüsselabdeckung (6) zu öffnen, muss man den Griff der Abdeckung (5) ergreifen und im Uhrzeigersinn drehen. Um die Schüsselabdeckung (6) zu schließen, muss man den Griff der Abdeckung (5) ergreifen und entgegengesetzt zum Uhrzeigersinn drehen.
2. Wenn der Griff der Schüsselabdeckung (5) parallel zur rechten Seite des Gerätes verläuft, dann befindet sich die Schüsselabdeckung(6) in der richtigen Stellung und man kann mit der Arbeit beginnen.

b) Montage der Schüssel (2) des Gerätes

Uwaga: Die Schüssel (2) des Gerätes montiert man VOR dem Befestigen des Zubehörs. Verwenden Sie ausschließlich nur die mit dem Gerät angelieferten Schüsseln (2).

1. Die Stütze der Schüssel wird mit dem Hebel (12) abgesenkt, in dem man ihn nach unten richtet, bis die Schüssel anhält. Die Stütze der Schüssel (15) muss sich in der unteren Stellung befinden.
2. Mit Hilfe der Halterungen (4), die sich an beiden

Seiten befinden, ist die Schüssel (2) vorsichtig und langsam auf der Stütze unterzubringen, und anschließend

- i) den Blockadebolzen in das Loch setzen, das sich in der Mitte der Stütze von der Schüssel (15) befindet und
- ii) mit dem Bolzen die Schüssel in die entsprechende Ebene im Verhältnis zur Stütze (15) einstellen.



c) Befestigen des entsprechenden Zubehörs (flacher Rührer, Knethaken für den Teig oder Schneebeesen)

Hinweis: Es wird bequemer sein, wenn man das Zubehör vor dem Einbringen der Zutaten in die Schüssel (2) montiert.

1. Die Schüsselabdeckung (6) muss man delikat im Uhrzeigersinn verdrehen, um sie bis zur offenen Position zu verschieben.
2. **HINWEIS!** Das Öffnen oder Schließen der Schüsselabdeckung (6) mit einer zu starken Kraft kann den Mikroschalter des Sicherungselementes beschädigen. Beim Öffnen oder Schließen der

Schüsselabdeckung (6) muss man besonders vorsichtig sein.

3. Das Zubehör (flacher Rührer, Haken zum Teigkneten oder der Schneebeesen) ist langsam in die Welle des Planetenmixers einzuschieben, wobei der Bolzen der Welle durch die Öffnung im Zubehörteil geschoben wird.
4. Das Zubehörteil drehen, damit es in der Welle des Planetenmixers blockiert.

d) Eingießen und Mischen der Zutaten

Hinweis: Hierbei ist nach der in der vorliegenden Anleitung dargestellten Tabelle zu verfahren, welche die maximale Menge der Zutaten bestimmt, die auch dem Volumeninhalt der Schüssel entspricht. Das Überfüllen der Schüsseln über ihr Volumen kann eine Leckstelle und letztendlich die Beschädigung des Gerätes hervorrufen.

1. Die entsprechenden Zutaten in die Schüssel (2) bringen.
2. Den Hebel zum Anheben/Absenken der Schüssel (12) nach oben verschieben, bis sich die Schüssel (2) in der richtigen Position befindet.
3. Die Abdeckung der Schüssel (6) entgegengesetzt zum Uhrzeigersinn drehen, bis sie blockiert.

Hinweis: Das Gerät kann nicht in Betrieb genommen werden, wenn die Abdeckung der Schüssel (5) offen / nicht richtig blockiert wurde oder die Schüssel (2) befindet sich in der unteren Position.

WICHTIGE INFORMATIONEN: Man muss sich davon überzeugen, dass der Drehknopf für die Geschwindigkeitsregelung (7) in der Position „1“ eingestellt ist.



e) Die Schaltuhr und die Geschwindigkeit einstellen und das Gerät in Betrieb nehmen

1. Der Planetenmixer kann mit einer eingestellten Schaltuhr (Betriebszeit) arbeiten oder ohne.

a) Betrieb mit eingestellter Schaltuhr:

Die Tasten Time+ (8a) oder Time- (8b) entsprechend eindrücken, um den Zeitwert entweder zu erhöhen oder zu verringern. Zum Bestätigen drückt man den roten Schalter ON/OFF (11). Auf dem Display erscheint die eingestellte Zeit und es blinkt ein Punkt.



b) Betrieb ohne eingestellter Schaltuhr:

Das Gerät schaltet sich automatisch nach 10 Minuten wieder aus (die Standardarbeitszeit wird durch die Schaltuhr bestimmt).

Hinweis: i) Die maximale Betriebszeit beträgt 60 Minuten. Die Standardbetriebszeit dagegen 10 Minuten.

ii) Bei einer schnellen Änderung des eingestellten Zeitwertes drückt und hält man die Taste Time+ (8a) oder Time- (8b).

2. Danach wird die entsprechende Geschwindigkeit zum Mischen mit dem Drehknopf für die Geschwindigkeitsregelung (7) ausgewählt. Zur Auswahl stehen drei Geschwindigkeiten: die niedrige (1), mittlere (2) und hohe (3).

Mischgeschwindigkeit

Art der Zutaten

1 (niedrige)	schwere: Mischen vom Teig für Pizza, Brot, Nudeln
2 (mittlere)	mittelschwere: Zweite Mischstufe z.B. Teig für Gebäck usw.
3 (hohe)	leichte: Schlagen von Sahne, Eiweiß, Schaumgebäck.

WICHTIGE INFORMATIONEN: Es muss IMMER das empfohlene Zubehörteil sowie die Einstellung der Geschwindigkeit (6) entsprechend der Tabelle des Volumeninhalts verwendet werden.

HINWEIS: Während des Einschüttens der Zutaten in die Schüssel (2) muss man auf den Staub und das Mehl achten, das aus den geöffneten Verpackungen entweicht.

Falls notwendig, muss man eine Schutzbrille tragen.

3. Anschließend drückt man den roten Schalter ON/OFF (11), der sich am Steuerpanel (9) befindet, um das Gerät einzuschalten. Drückt man die Taste ON/OFF erneut, dann wird es ausgeschaltet. Das Gerät beginnt mit dem Mischen im Uhrzeigersinn.

4. HINWEIS! Vor einer Änderung der Geschwindigkeit muss man IMMER zuerst das Gerät anhalten. Eine Änderung der Geschwindigkeit ohne vorherigem Anhalten des Gerätes kann die innere Konstruktion des Gerätes beschädigen.

5. Um die Geschwindigkeit während des Betriebes zu ändern, muss man:

a) die rote Taste ON/OFF (11) drücken, die sich am Steuerpanel (9) befindet, um das Gerät auszuschalten.

b) die entsprechende Geschwindigkeit zum Mischen mit dem Drehknopf für die Geschwindigkeitsregelung (7) auswählen.

c) den roten Schalter ON/OFF (11) drücken, der sich am Steuerpanel (9) befindet, um das Gerät erneut einzuschalten.

Zurücksetzen der thermischen Sicherung (Schutz vor dem Überhitzen)

Man muss daran denken, dass sich die Taste RESET der thermischen Sicherung (10) im hinteren Teile des Gerätes befindet.

- Zuerst trennt man das Gerät von der Stromversorgung.
- Ebenso muss man das Gerät völlig abkühlen lassen.

- Jetzt drückt man die Taste RESET (10) der thermischen Sicherung (Schutz vor dem Überhitzen).
- Danach ist das Gerät erneut an die Stromversorgungsquelle anzuschließen und einzuschalten.

Volumentabelle, welche die maximale Füllmenge der Zutaten bestimmt

Die vorliegende Tabelle hat referenzmäßigen Charakter und bestimmt die maximale Menge der Zutaten, die man für das Zubereiten verschieden-

artiger Speisen benötigt. Es gibt viele variable Faktoren, z.B. Art des benutzten Mehles, Wassertemperatur usw.

Produkt	Zubehörteil	Maximale Menge	
Eiweiß	Schneebeesen	700g	
Kartoffelbrei	Flacher Rührer	1,500g	
Schaumgebäck (Wassermenge)	Schneebeesen	1 Liter	
Teig für Waffeln oder Eierkuchen	Flacher Rührer	2 Liter	
Schlagsahne	Schneebeesen	3 Liter	
Pizzateig (mittlerer Dichte, 50% Wasser)	Haken zum Teigkneten, Geschwindigkeit 1	1,500g	
Pizzateig (dichter, 60% Wasser)	Haken zum Teigkneten, Geschwindigkeit 1	2,000g	
Rührkuchen	Schneebeesen, Geschwindigkeit 1	1,000g	
Kuchenteig	Flacher Rührer, Geschwindigkeit 1	1,500g	
Teig für Brot oder Brötchen (leichter/mittlerer Dichte, 60% Wasser)	Haken zum Teigkneten, Geschwindigkeit 1	Wasser 500g	Mehl 800g

Reinigung und Wartung

Hinweis: Vor Beginn der Reinigung, Wartung, Reparatur und dem Verbringen des Gerätes zum Lagerort, muss man immer das Gerät von der Netzsteckdose trennen und abwarten, bis es abgekühlt ist.

Reinigung

- Vor dem Reinigen des Gerätes muss man immer die Zubehörteile abtrennen – andernfalls können sie in der Welle blockieren und sie sind schwer herauszunehmen.
- Nach jedem Gebrauch muss man das Gerät und die Zubehörteile sehr genau reinigen bzw. sich davon überzeugen, ob alle Speiserückstände entfernt wurden.
- Tauchen Sie das Gerät weder ins Wasser noch in andere Flüssigkeiten.
- Die Oberflächen des Gerätes reinigt man mit Hilfe eines feuchten Lappens oder Schwamms mit geringer Menge einer milden Waschmittellösung.
- Zum Reinigen der Innen- und Außenteile des Gerätes darf man weder einen rauen Schwamm noch ein ätzendes Mittel bzw. auch keine Drähte oder Metallgegenstände verwenden.
- Waschen Sie das Gerät NICHT mit Wasser oder einem starken Strahl. Durch das Waschen mit Wasser kann es in die elektrischen Teile gelangen und es kann zu einem Stromschlag kommen.
- Weder die Geräte noch die Zubehörteile dürfen in der Geschirrspülmaschine gewaschen werden.

DE



Empfohlene Waschmethoden für das Gerät:

Teile	Reinigung	Häufigkeit
Schüssel	Mit einem Schwamm oder feuchten Lappen mit geringer Menge einer milden Waschmittellösung waschen, desinfizieren und genau trocknen.	Nach jedem Gebrauch.
Zubehör (Haken zum Teignetzen, flacher Rührer und Schneebesen)	Mit einer milden Waschmittellösung von Hand durchwaschen, desinfizieren und genau trocknen.	Nach jedem Gebrauch.
Schüsselabdeckung	Mit einem Schwamm oder feuchten Lappen mit der geringen Menge einer milden Waschmittellösung von Hand durchwaschen, desinfizieren und genau trocknen.	Nach jedem Gebrauch.
Außenfläche	Mit einem Lappen mit einer milden Waschmittellösung abreiben, desinfizieren und genau trocknen. Zum Reinigen darf kein Wasserstarhl verwendet werden. .	Zwei Mal in der Woche.
Welle der Planetenmechanik	Mit einem Lappen mit einer milden Waschmittellösung abreiben, desinfizieren und genau trocknen.	Nach jedem Gebrauch.

Lagerung

- Vor dem Ablegen des Gerätes am Lagerort muss man sich immer davon überzeugen, ob das Gerät von der Netzsteckdose getrennt wurde und völlig abgekühlt ist.
- Das Gerät muss man an einem kühlen, sauberen und trockenen Ort lagern.

Suchen und Beseitigen von Mängeln

Wenn das Gerät nicht richtig funktioniert, muss man sich zwecks Finden einer richtigen Lösung mit nachfolgender Tabelle vertraut machen. Wenn man das Problem weiterhin nicht lösen kann, muss ist sich mit dem Lieferanten in Verbindung zu setzen. Die Reparatur darf NIEMALS selbstständig durchgeführt werden.

Problem	Mögliche Ursache	Mögliche Lösung
Das Gerät kann nicht in Betrieb genommen werden.	Die Abdeckung der Schüssel (6) befindet sich nicht in der richtigen (blockierten) Stellung.	Abdeckung der Schüssel (6) nach rechts drehen, bis sie sich in der richtigen (blockierten) Stellung befindet.
	Die Schüssel (2) wurde nicht ausreichend genug angehoben und befindet sich nicht in der richtigen Stellung.	Die Schüssel (2) mit dem Hebel (12) in die richtige Stellung anheben.
	Der Stecker wurde nicht richtig an die Stromversorgungsquelle angeschlossen.	Es ist zu prüfen, ob der Stecker an die Stromversorgungsquelle richtig angeschlossen ist.
Das Gerät hält während des Betriebes an.	Die innere Sicherung vor dem Überhitzen hat angesprochen..	Das Gerät mit dem Schalter (11) ausschalten, danach die Taste RESET (14) drücken, die sich hinten am Gerät befindet.
	Der Riemen des Getriebes ist beschädigt oder zerstört.	Mit dem Lieferanten in Verbindung setzen.
Der Planetenmixer arbeitet zu laut.	Der Planetenmischer wurde nicht auf einer horizontalen Fläche angeordnet.	Die Fläche horizontal stellen oder das Gerät zu einer anderen horizontalen Fläche tragen.
	Die Schüssel (2) wurde nicht richtig in die Stütze eingesetzt.	Überzeugen Sie sich, dass die Schüssel (2) richtig in die Stütze (15) eingesetzt wurde, und zwar mit richtig eingesetzten Blockadebolzen (3).
	Die Zubehörteile wurden nicht richtig montiert.	Die Zubehörteile herausnehmen und erneut richtig montieren.
	Zu viele Zutaten in der Schüssel.	Die Menge der Zutaten verringern.
	Der Riemen des Getriebes ist beschädigt oder zerstört.	Mit dem Lieferanten in Verbindung setzen.
	Das Planetengetriebe muss geschmiert werden.	
Die Montage der Zubehörteile in der Planetenwelle ist erschwert.	Die Planetenwelle ist unzureichend geschmiert und/oder ihre Reinigung ist erforderlich.	Planetenwelle mit einemsauberen, feuchten Lappen abreiben und die Welle mit Mineralöl oder einem Schmiermittel einschmieren.
Der Hebel zum Anheben/Absenken ist verklemmt.	Die Schmiermittelmenge an den Seiten der Schüssel ist unzureichend.	Die Seiten der Schüssel mit einem Mineralöl oder Schmiermittel einschmieren.

DE

Technische Spezifikation

Nr. des Produktes: 222829

Betriebsspannung und Frequenz: 220- 230V~ 50/60Hz

Nennleistung: 650W

Schutzgrad: Klasse I

Klasse der Wasserbeständigkeit: IP21

Maximale Leistungsfähigkeit: 7 Liter (800 g Mehl + 500 g Wasser)

Drehgeschwindigkeit (Umdreh./Min.): Flacher Rührer (250); Haken zum Teigkneten (128); Schneebesens (540)

Abmessungen: 240x420x(H)425mm

Nettogewicht: ca. 21kg

Lärmpegel: < 70 dB (A)

Hinweis: Die technische Spezifikation kann ohne Vorankündigung verändert werden.



Zusammenstellungszeichnung und Teilverzeichnis

- Die Zusammenstellungszeichnung und das Teilverzeichnis bestehen aus 4 Hauptteilen:
- Hauptaufbau des Gerätes (Abb. 1);
- Baugruppe des Getriebes (Abb. 2);
- Baugruppe zum Anheben der Schüssel (Abb. 3);
- Schüsselabdeckung und Drehachse (Abb. 4).

Verzeichnis der Teile des Gerätes, die sich in der Abb. 1 befinden

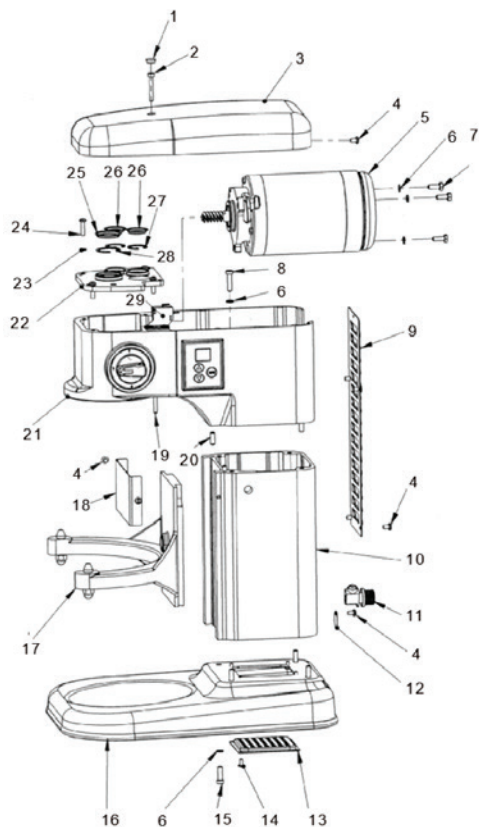


Abb. 1 Hauptaufbau des Gerätes

Nr. des Teiles	Bezeichnung des Teiles	Anzahl
1	Aufsatz der Schraube	1
2	Obere Schraube der Abdeckung	1
3	Obere Abdeckung	1
4	Schrauben M5x8	10
5	Baugruppe des Motors	1
6	Federring	7
7	Schrauben M6x16	3
8	Schrauben M6x20	4
9	Hintere Abdeckung	1
10	Ständer	1
11	Leistungsanschluss	1
12	Erdung	1
13	Abdeckung der Belüftungsöffnungen	1
14	Schrauben M4x8	4
15	Schrauben M6x20	4
16	Abdeckung der Grundplatte	1
17	Stütze der Schüssel	1
18	Verschiebbare Abdeckung des Behälters	1
19	Verbindungsstift	1
20	Bolzen 6x18	1
21	Oberes Gehäuse	1
22	Kugellagerabdeckung	1
23	Federring	4
24	Schrauben M5x20	6
25	Abdeckung der Zentralachse	1
26	Abdeckung der Getriebeachse	2
27	Unterlegscheibe Ø26	2
28	Unterlegscheibe Ø32	2
29	Platte der Schalterabdeckung	1

Verzeichnis der Teile des Gerätes, die sich in der Abb. 2 befinden

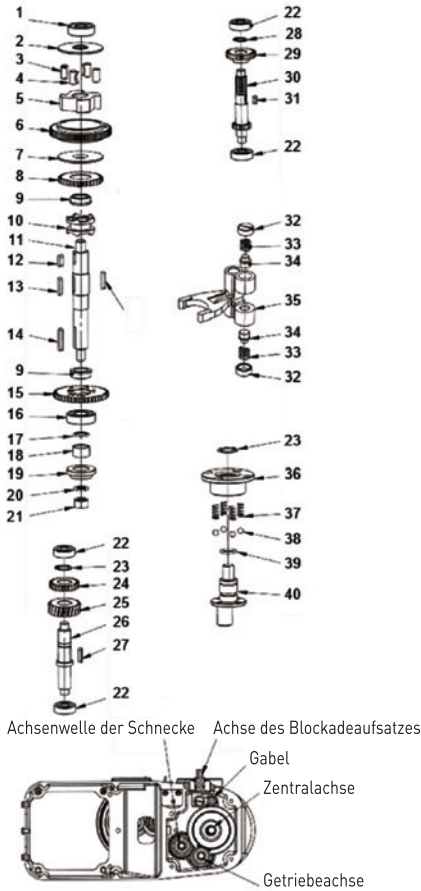


Abb. 2: Baugruppe des Getriebes

Nr. des Teiles	Bezeichnung des Teiles	Anzahl
1	Lager	1
2	Abdeckplatte	1
3	Wellen	4
4	Federn	4
5	Kopplungselement	1
6	Getriebering	1
7	Trennring	1
8	Zahnrad	1
9	Lagerring	2
10	Verbindungsstück	1
11	Zentralachse	1
12	Nut 5x14	1
13	Nut 4x22	2
14	Nut 4x28	1
15	Zahnrad	1
16	Lager	1
17	Ring für die Mittelstellung 16x1,8	1
18	Hülse der Zentralachse	1
19	Große Hülse des Zahnrades	1
20	Federring Ø10	1
21	Mutter (M10)	1
22	Lager	4
23	Blockaderring Ø16	2
24	Getriebe	1
25	Schneckengetriebe	1
26	Achse des Schneckengetriebes	1
27	Nut 4x18	1
28	Federring Ø13	1
29	Hochgeschwindigkeits- getriebe	1
30	getriebe	1
31	Getriebeachse	1
32	Nut 4x10	2
33	Mutter der Gabel	2
34	Feder der Gabel	2
35	Kleine Achsen der Gabel	1
36	Versteifung der Stütze	1
37	Blockademutter	4
38	Federn	4
39	Stahlkugel	1
40	Achse des Blockadeaufsatzes	1



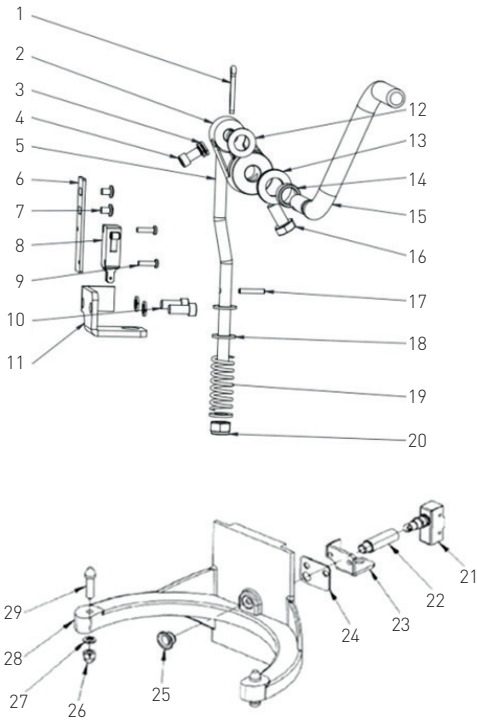


Abb. 3: Baugruppe zum Anheben der Schüssel

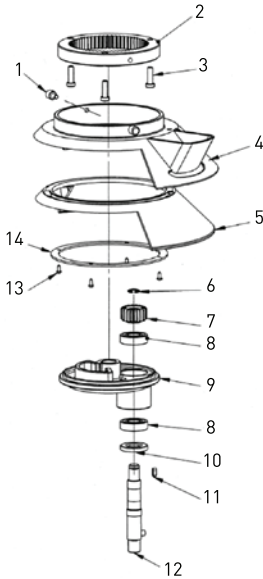
Verzeichnis der Teile des Gerätes, die sich in der Abb. 3 befinden

Nr. des Teiles	Bezeichnung des Teiles	Anzahl
1	Bolzen 3X16	1
2	Befestigungseinheit für den Hebel	1
3	Federring 6	1
4	Schrauben M6x10	1
5	Hubstange	1
6	Mikroschalterhalter	1
7	Schrauben M4x6	2
8	Mikroschalter	1
9	Schrauben M3x12	2
10	Schrauben M6x14	2
11	Stützplatte der Hubstange	1
12	Flache Unterlegscheibe 10	1
13	Flache Unterlegscheibe 12	2
14	Hülse	1
15	Hebel	1
16	Schrauben M8x16	1
17	Elastisch zylindrisch (Pin 3X18)	1
18	Flache Unterlegscheibe 8	3
19	Feder	1
20	Mutter (M8)	1
21	Mikroschalter	1
22	Verbindung des Schalters	1
23	Stütze des Schalters	1
24	Führung des Schalters	1
25	Abdeckplatte des Hebels	1
26	Mutter	2
27	Federring	2
28	Stützträger der Schüssel	1
29	Blockadebolzen	2

DE



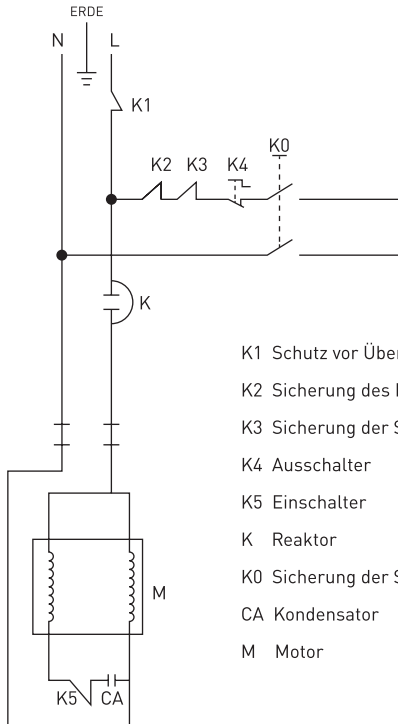
Verzeichnis der Teile des Gerätes, die sich in der Abb. 4 befinden



Nr. des Teiles	Bezeichnung des Teiles	Anzahl
1	Einlage	2
2	Innengetriebe	1
3	Schrauben M6x20	4
4	Außenseite der Schüsselabdeckung	1
5	Innenseite der Schüsselabdeckung	1
6	Federring Ø12	1
7	Planetengetriebe	1
8	Lager	1
9	Drehplatte	1
10	Öldichtungsring	1
11	Bolzen 4x10	1
12	Achse des Mixers	1
13	Schrauben	4
14	Ring der Schüsselabdeckung	1

Abb. 4: Abdeckung der Schüssel und die Drehachse

Schaltplan



- K1 Schutz vor Überlastung (Schutz vor dem Überhitzen)
- K2 Sicherung des Hebels zum Anheben des Schüssel
- K3 Sicherung der Schüsselabdeckung
- K4 Ausschalter
- K5 Einschalter
- K Reaktor
- K0 Sicherung der Schüssel
- CA Kondensator
- M Motor



Garantie

Alle innerhalb von einem Jahr nach dem Kaufdatum festgestellten Defekte oder Mängel, die die Funktionalität des Gerätes beeinträchtigen, werden auf dem Wege der unentgeltlichen Reparatur bzw. des Austausches unter der Voraussetzung beseitigt, dass das Gerät in einer der Bedienungsanleitung gemäßen Art und Weise betrieben und gewartet wird und weder vorsätzlich vernichtet noch nicht bestimmungsgemäß genutzt wurde. Ihre Rechte aus den entsprechenden Gesetzen

bleiben davon unberührt. Eine in der Garantiefrist einzureichende Beanstandung hat die Angabe des Kaufortes und Kaufdatums und in der Anlage einen Kaufbeleg (z.B. Kassenzettel) zu enthalten.

Gemäß unserer Politik der ständigen Weiterentwicklung unserer Produkte behalten wir uns vor, Änderungen am Produkt, an seiner Verpackung und an den dokumentierten technischen Daten ohne vorherige Ankündigung vorzunehmen.

Entsorgung und Umweltschutz

Wird das Gerät außer Betrieb genommen, darf es nicht über den Hausmüll entsorgt werden. Der Benutzer ist für die Übergabe des Gerätes an eine geeignete Sammelstelle für Altgeräte verantwortlich. Die Nichteinhaltung dieser Regel kann gemäß den geltenden Vorschriften über die Abfallentsorgung bestraft werden. Die getrennte Sammlung und das Recycling der Altgeräte trägt zur Schonung der natürlichen Ressourcen bei und sorgt

für eine umwelt- und gesundheitsschonende Verwertungsweise. Weitere Informationen darüber, wo Sie Ihre Altgeräte entsorgen können, erhalten Sie bei Ihrem örtlichen Entsorgungsunternehmen. Der Hersteller und der Importeur übernehmen keine Verantwortung für das Recycling sowie die umweltfreundliche Verwertung von Abfällen, weder direkt noch über ein öffentliches System.

Geachte klant,

Hartelijk dank voor de aankoop van dit HENDI apparaat. Leest u deze gebruiksaanwijzing zorgvuldig voordat u het apparaat gebruikt, dit om schade door verkeerd gebruik te voorkomen. Lees vooral de veiligheidsinstructies aandachtig door.

Veiligheidsinstructies


- Onjuiste bediening en verkeerd gebruik van het apparaat kan ernstige schade aan het apparaat en verwonding van personen tot gevolg hebben.
- Dit apparaat is niet bedoeld voor huishoudelijk gebruik.
- Het apparaat mag alleen worden gebruikt voor het doel waarvoor het werd ontworpen. De fabrikant aanvaardt geen enkele aansprakelijkheid voor schade als gevolg van onjuiste bediening en verkeerd gebruik.
- Zorg dat het apparaat en de stekker niet met water of een andere vloeistof in aanraking komen. Mocht het apparaat onverhoopt in het water vallen, trek dan onmiddellijk de stekker uit het stopcontact en laat het apparaat controleren door een erkend vakman. Niet-naleving hiervan kan levensgevaar opleveren.
- Probeer nooit zelf de behuizing van het apparaat te openen.
- Steek geen voorwerpen in de behuizing van het apparaat.
- Raak de stekker niet met natte of vochtige handen aan.
- ⚠ **Gevaar van elektrische schokken!** Probeer het apparaat niet zelf te repareren. In het geval van storingen, laat reparaties alleen uitvoeren door gekwalificeerd personeel.
- **Gebruik nooit een beschadigd apparaat!** Als het apparaat is beschadigd, haal de stekker dan uit het stopcontact en neem contact op met de winkel.
- **Waarschuwing!** Dompel de elektrische onderdelen van het apparaat niet onder in water of andere vloeistoffen. Houd het apparaat nooit onder stromend water.
- Controleer de stekker en het netsnoer regelmatig op schade. Als de stekker of het netsnoer is beschadigd, moet het worden vervangen door de technische dienst of een soortgelijk gekwalificeerd persoon om gevaar of letsel te voorkomen.
- Zorg ervoor dat het netsnoer niet in contact komt met scherpe of hete voorwerpen en houd het uit de buurt van open vuur. Als u de stekker uit het stopcontact wilt halen, trek dan altijd aan de stekker en niet aan het netsnoer.
- Zorg ervoor dat niemand per ongeluk aan het netsnoer (of verlengsnoer) kan trekken of kan struikelen over het netsnoer.
- Houd het apparaat in de gaten tijdens gebruik.
- **Waarschuwing!** Zolang de stekker in het stopcontact zit, is het apparaat aangesloten op de voedingsbron.
- Schakel het apparaat uit voordat u de stekker uit het stopcontact trekt.
- Draag het apparaat nooit aan het netsnoer.
- Gebruik geen extra hulpmiddelen die niet worden meegeleverd met het apparaat.
- Sluit het apparaat alleen aan op een stopcontact met de spanning en frequentie die is vermeld op het typeplaatje.

NL



- Sluit de stekker aan op een stopcontact dat eenvoudig bereikt kan worden, zodat de stekker in geval van nood onmiddellijk uit het stopcontact kan worden getrokken. Trek de stekker volledig uit het stopcontact om het apparaat volledig uit te schakelen. Gebruik de stekker om het apparaat los te koppelen van het lichtnet.
- Schakel het apparaat altijd uit voordat u de stekker uit het stopcontact trekt.
- Gebruik nooit accessoires die niet worden aanbevolen door de fabrikant. Zij kunnen mogelijk een veiligheidsrisico vormen voor de gebruiker en kunnen het apparaat mogelijk beschadigen. Gebruik alleen originele onderdelen en accessoires.
- Dit apparaat is niet geschikt voor gebruik door personen (inclusief kinderen) met een verminderd fysiek, sensorisch of geestelijk vermogen, of gebrek aan ervaring en kennis.
- Dit apparaat mag onder geen enkele omstandigheid worden gebruikt door kinderen.
- Houd het apparaat en het netsnoer buiten bereik van kinderen.
- Kinderen mogen niet met het apparaat spelen.
- Koppel het apparaat altijd los van het lichtnet als het onbeheerd wordt achtergelaten en voordat het apparaat wordt gemonteerd, gedemonteerd of gereinigd.
- Laat het apparaat nooit onbeheerd achter tijdens gebruik.

Speciale veiligheidsvoorschriften

- Gebruik het apparaat alleen zoals beschreven in deze handleiding.
- Dit apparaat moet worden gebruikt en geïnstalleerd door gespecialiseerd en getraind personeel in de keuken van bedrijven of instanties in de voedingsindustrie zoals catering, bakkerij, pizzeria, banketbakker, etc.
- Alle onderhouds-, installatie- en reparatiewerkzaamheden moeten worden uitgevoerd door gespecialiseerde en getrainde technici.
-  Er zit een potentiaalvereffeningsaansluiting op de achterkant van het apparaat voor 'cross bonding' met andere apparatuur.
- Plaats het apparaat niet op een warmtebron (kooktoestel op benzine, elektriciteit, kolen, etc.) Houd het apparaat uit de buurt van hete oppervlakken en open vuur. Gebruik het apparaat altijd op een vlakke, stabiele, schone, hittebestendige en droge ondergrond.
- Gebruik het apparaat niet in de buurt van explosieve of brandbare materialen, credit cards, magnetische schijven of radio's.
- Draag tijdens gebruik indien nodig beschermende kleding, een masker of veiligheidsbril.
- Dit apparaat is niet bedoeld om gebruikt te worden in combinatie met een externe timer of een apart afstandsbedieningssysteem.
- Probeer de beveiligingsmechanismen op het apparaat nooit te omzeilen.
- **WAARSCHUWING:** Houd alle ventilatieopeningen op het apparaat vrij.
- **WAARSCHUWING:** Schakel het apparaat **ALTIJD** uit en trek de stekker uit het stopcontact alvorens reinigings- of onderhoudswerkzaamheden uit te voeren of opzetstukken te verwisselen.
- Laat tijdens gebruik minimaal 30 cm ruimte vrij rond het apparaat voor ventilatiedoel-einden.

- **Let op!** Plaats het netsnoer indien nodig op een veilige manier om te voorkomen dat het netsnoer in contact kan komen met het verwarmingsoppervlak en dat er per ongeluk aan het netsnoer kan worden getrokken.
- **WAARSCHUWING!** Houd uw handen, lang haar en losse kleding **ALTIJD** uit de buurt van de bewegende onderdelen.
- Plaats uw handen tijdens gebruik niet in het afgeschermd gebied of de mengkom.
- Plaats niet teveel ingrediënten in het apparaat om overlopen van voedingsmiddelen te voorkomen. De maximale capaciteit van de kom is 10 liter voor 222836, 222966 en 20 liter voor 222843, 222973.
- Was het apparaat niet met water of een waterstraal. Wassen met water kan lekkage veroorzaken en het risico op elektrische schokken verhogen. Geen van de onderdelen zijn vaatwasmachinebestendig.
- Reinig of berg het apparaat niet op tenzij het volledig is afgekoeld.
- Er is speciale aandacht vereist als u het apparaat wilt verplaatsen of transporteren, omdat het apparaat zeer zwaar is. Verplaats met minimaal 2 personen of gebruik een karretje om te helpen bij het verplaatsen. Verplaats het apparaat langzaam, voorzichtig en nooit gekanteld onder een hoek groter dan 45°.

Beoogd gebruik

- Dit apparaat is bedoeld voor professioneel gebruik en kan alleen worden bediend door gekwalificeerd personeel.
- Dit apparaat is uitsluitend bestemd voor het mengen, kneden en emulgeren / kloppen van voedingsmiddelen gebruikt in de voedingsindustrie en winkels. Elk ander gebruik kan leiden tot schade aan het apparaat of lichamelijk letsel.
- Gebruik van het apparaat voor andere doeleinden wordt beschouwd als verkeerd gebruik van het apparaat. De gebruiker is volledig aansprakelijk voor alle risico's die voortvloeien uit verkeerd gebruik van het apparaat.

Installatie met aarding

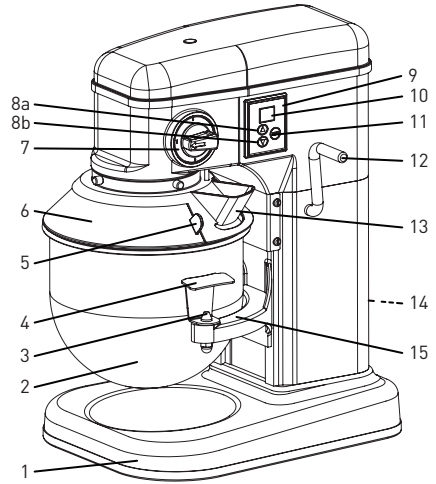
Dit apparaat is geclassificeerd als beschermingsklasse I en moet worden aangesloten op een aansluiting met aarde. Aarding verlaagt de kans op elektrische schokken doordat elektrische stroom via een ontsnapingsdraad kan weglopen. Dit ap-

paraat is uitgerust met een snoer met een aardedraad en een geaarde stekker. De stekker moet in een stopcontact worden gestoken dat juist is geïnstalleerd en geaard.

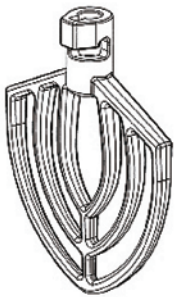


Belangrijkste onderdelen van het apparaat

1. Voetstuk van het apparaat
2. Kom
3. Geleidepennen (x2)
4. Handgrepen kom (x2)
5. Handgreep beschermdeksel kom
6. Beschermdeksel kom
7. Snelheidsknop
- 8a. Timer (tijd verhogen)
- 8b. Timer (tijd verlagen)
9. Bedieningspaneel
10. Display van timer
11. AAN/UIT-knop
12. Hendel voor heffen / laten zakken kom
13. Ingebouwde ingrediëntentrechter
14. RESET-knop (op achterkant)
15. Bevestiging kom



Koppelstukken



Kloppe



Deeghaak



Garde

Vorbereidingen voor installatie

- Draai het apparaat indien nodig voorzichtig los van het glijstelsysteem met behulp van een moersleutel.
- Verwijder alle beschermende verpakkingsmaterialen.
- Controleer het apparaat op volledigheid en eventuele transportschade. Neem in geval van schade of een onvolledige levering (bijv. bij ontbreken garde, kloppe of deeghaak) onmiddellijk contact op met uw leverancier/importeur. Gebruik het apparaat NIET. (Zie ==> Garantie).
- Reinig het apparaat en de koppelstukken voor gebruik (Zie ==> Reiniging en onderhoud).
- Zorg ervoor dat het apparaat volledig droog is.
- Bewaar de verpakking als u uw apparaat in de toekomst wilt opbergen.

Installatie

- Lees deze handleiding volledig en zorgvuldig door alvorens het apparaat te installeren en bedienen.
- Zorg ervoor dat het apparaat in een droge omgeving op ondergrond die het gewicht van het apparaat kan ondersteunen wordt geplaatst en dat er zich geen obstakels in de buurt van het apparaat bevinden tijdens gebruik.
- Zorg ervoor dat de specificaties van de stroomvoorziening overeenkomen met de gegevens op het typeplaatje op het apparaat.
- Er moet voldoende ruimte vrij worden gehouden

den rond het apparaat, zodat de gebruiker het apparaat eenvoudig en zonder belemmeringen kan gebruiken. De omgeving moet altijd schoon en vrij van obstakels zijn, bijv. zorg ervoor dat er geen voorwerpen als schrapers of messen op of in de buurt van het apparaat worden geplaatst.

- Draag geen loshangende kleding, zoals sjaals, etc. en bind lang haar op en houd uit de buurt van de bewegende onderdelen.

LET OP! Omzeil de veiligheidsschakelaars nooit.

Vervoer en behandeling

- Verplaats het apparaat niet tijdens gebruik.
- Trek de stekker uit het stopcontact, verwijder de kom (2) en alle koppelstukken (garde, koper of deeghaak) als u het apparaat verplaatst.

- Pak het voetstuk van het apparaat (1) vast voor betere ondersteuning bij het verplaatsen.

- Verplaats het apparaat met minimaal 2 personen of gebruik een karretje om te helpen bij het verplaatsen, het apparaat is zeer zwaar.

Speciale veiligheidsfuncties

Attentie: Dit apparaat beschikt over 3 veiligheidsschakelaars. Het apparaat kan alleen worden gestart als alle veiligheidsschakelaars in de juiste stand staan.

- Veiligheidsschakelaar kompositie: Het apparaat kan worden opgestart zodra de kom op de juiste plaats is geplaatst.
- Veiligheidsschakelaar beschermdeksel kom (5): Het apparaat kan alleen worden opgestart als het beschermdeksel van de kom (5) is gesloten.

- Veiligheidsschakelaar hefhandel (12): Het apparaat kan alleen worden opgestart als de hefhandel (12) in de bovenste stand staat.

Draag geen loshangende kleding, zoals sjaals, etc. en bind lang haar op en houd uit de buurt van de bewegende onderdelen.

Bediening

Om ernstig lichamelijk letsel te voorkomen:

- Gebruik het apparaat NIET zonder eerst de handleiding door te nemen.
- Schakel het apparaat ALTIJD UIT en trek de stekker uit het stopcontact alvorens reinigings-,

onderhouds- of reparatiewerkzaamheden uit te voeren of koppelstukken te wisselen.

- Houd uw handen, haar en losse kleding ALTIJD uit de buurt van de bewegende onderdelen.

a) Over het beschermdeksel van de kom

Opmerking: Als het beschermdeksel van de kom (6) is geopend of niet is gesloten, zal het apparaat niet werken.

1. Open het beschermdeksel van de kom (6) door de handgreep van het beschermdeksel (5) vast te pakken en met de klok mee te draaien. Sluit het beschermdeksel van de kom (6), door de handgreep van het beschermdeksel (5) vast te pakken en tegen de klok in te draaien.

2. Als de handgreep van het beschermdeksel (5) is uitgelijnd met de rechterkant van het apparaat, is het beschermdeksel van de kom (6) gesloten en is het apparaat klaar voor gebruik.



b) Installeer de kom (2) op het apparaat

Opmerking: Installeer de kom (2) VOORDAT u de koppelstukken bevestigt. Gebruik alleen de meegeleverde kom (2).

1. Laat de kom zakken door de hefhandel van de kom (12) omlaag te trekken tot deze stopt. Zodanig dat de bevestiging van de kom (15) in een lage stand staat.

2. Plaats de kom (2) voorzichtig en langzaam met behulp van de handgrepen van de kom (4) aan de 2 zijanten en

i) Met de vergrendelpen in het gat in het midden van de bevestiging van de kom (15) en

ii) Lijn uit met de geleidepennen aan de 2 zijanten van de bevestiging van de kom (15).



c) De verschillende koppelstukken (klopper, deeghaak of garde) op het apparaat

Opmerking: Het is handiger en eenvoudiger om koppelstukken te installeren voordat u ingrediënten toevoegt in de kom (2).

1. Draai het beschermdeksel van de kom (6) voorzichtig met de klok mee, zodat deze is geopend.
2. **LET OP!** Als u buitensporig veel kracht gebruikt om het beschermdeksel van de kom (6) te sluiten of openen, kunt u de veiligheidsschakelaar

beschadigen. Wees voorzichtig bij het sluiten of openen van het beschermdeksel van de kom (6).

3. Schuif het koppelstuk (klopper, deeghaak of garde) langzaam omhoog op de planetaire as en zorg ervoor dat de pen van de as door de sleuf op het koppelstuk gaat.
4. Draai de koppelstukken vast op de planetaire as.

d) Gieten en mengen van ingrediënten

Opmerking: Volg de tabel in het hoofdstuk 'Capaciteit mengingrediënten' in deze handleiding. U kunt het apparaat beschadigen en het voedsel kan overlopen wanneer u te veel ingrediënten toevoegt in de kom.

BELANGRIJK: Zorg ervoor dat de snelheidshendel (7) in stand 1 staat.

1. Voeg alle ingrediënten toe in de kom (2).
2. Druk de hefhandel van de kom (12) omhoog tot de kom (2) is vastgezet op zijn plaats.
3. Draai het beschermingsdeksel van de kom (6) tegen de klok in tot het deksel is gesloten.

Attentie: Het apparaat start niet als het beschermdeksel van de kom (6) is geopend / niet juist is gesloten of de kom (2) in de laagste stand staat.

e) De timer en snelheid instellen & het apparaat starten

1. U kunt de timer instellen om voor een bepaalde mengtijd te mengen of het apparaat gebruiken zonder timer.

a) Gebruik met timer:

Druk op Time + (8a) om de tijd te verhogen of druk op Time - (8b) om de tijd te verlagen.

Druk ter bevestiging op de rode AAN/UIT-knop (11). De resterende tijd wordt getoond en de punt knippert op het display (10).



b) Gebruik zonder timer:

Het apparaat schakelt na 10 minuten automatisch UIT, omdat de timer standaard wordt ingesteld op 10 minuten

Opmerking: i) De timer kan maximaal worden ingesteld op 60 minuten. De standaardtijd is 10 minuten.

ii) Houd Time + (8a) of Time- (8b) ingedrukt om de tijd snel in te stellen.

2. Selecteer daarna de gewenste snelheid door de snelheidshendel (7) omhoog of omlaag te drukken. U kunt kiezen uit drie vaste snelheden: een (1), twee (2) en drie (3).

Draaisnelheid

1 (Laag)

2 (Medium)

3 (Hoog)

Soort ingrediënt

Zwaar: Mengen van pizza, brood, pasta en

Medium: 2^e fase van mengen voor donutdeeg, etc.

Licht: Kloppen van room, eiwit, meringue.

BELANGRIJK: Gebruik ALTIJD de aanbevolen koppelstukken en snelheidsinstelling volgens de capaciteitstabel.

ATTENTIE: Wees voorzichtig en houd rekening met het risico dat stof en meel kan ontsnappen wanneer u zakken met ingrediënten openmaakt in de kom (2). Draag indien nodig een veiligheidsmasker of veiligheidsbril.

3. Druk daarna op de rode (AAN / UIT) knop (11) op het bedieningspaneel (9) om het apparaat AAN te zetten. Druk nogmaals op de knop om het apparaat UIT te zetten. Het apparaat draait met de klok mee.

4. LET OP! STOP het apparaat ALTIJD VOORDAT u de snelheid wijzigt. Als u dit niet doet, kan dit leiden tot schade aan de inwendige tandwielconstructie.

5. Om de snelheid te wijzigen tijdens gebruik:

- a) Druk op de rode (AAN / UIT) knop (11) op het bedieningspaneel (9) om het apparaat UIT te zetten.
- b) Wijzig de snelheid door de snelheidshendel (7) omhoog of omlaag te drukken.
- c) Druk op de rode (AAN / UIT) knop (11) op het bedieningspaneel (9) om het apparaat opnieuw te starten.

De maximaalbeveiliging resetten (thermische beveiliging)

Houd er rekening mee dat de RESET-knop (14) op de achterkant van het apparaat zit om oververhitting te voorkomen.

- Trek de stekker van het apparaat eerst uit het stopcontact.

- Laat het apparaat volledig afkoelen.
- Druk op de RESET-knop (14) van de maximaalbeveiliging (thermische beveiliging).
- Steek daarna de stekker in het stopcontact en start het apparaat opnieuw op.

Capaciteit mengingrediënten

De onderstaande tabel is slechts een referentie met betrekking tot de maximale hoeveelheid voor het maken van verschillende soorten voedsel. Er

zijn vele factoren die hier invloed op hebben, zoals het soort bloem, de temperatuur van het water, etc.

Product	Koppelstuk	Max. hoeveelheid	
Eiwit	Garde	700g	
Aardappelpuree	Klopper	1,500g	
Meringue (hoeveelheid water)	Garde	1 liter	
Wafel of pannenkoekbeslag	Klopper	2 liter	
Slagroom	Garde	3 liter	
Pizzadeeg (Medium, 50% water)	Deeghaak, snelheid (1)	1.500g	
Pizzadeeg (Dik, 60% water)	Deeghaak, snelheid (1)	2.000g	
Cake	Garde, snelheid (1)	1.000g	
Taartdeeg	Klopper, snelheid (1)	1.500g	
Brood- of kadetdeeg (Licht / Medium, 60% water)	Deeghaak, snelheid (1)	Water 500g	Bloem 800g



Reiniging en onderhoud

Attentie: Trek de stekker van het apparaat altijd uit het stopcontact en laat het volledig afkoelen alvorens reinigings-, onderhouds- of reparatiewerkzaamheden uit te voeren & alvorens het apparaat op te bergen.

Reiniging

- Verwijder altijd alle koppelstukken voordat u het apparaat reinigt, anders kunnen deze klem komen te zitten op de as en is het lastig deze later te verwijderen.
- Reinig het apparaat en de koppelstukken grondig na elk gebruik en zorg ervoor dat alle voedselresten worden verwijderd.
- Dompel het apparaat nooit onder in water of andere vloeistoffen.
- Reinig het oppervlak met een licht bevochtigde doek of spons met wat milde zeepoplossing.
- Gebruik nooit schuursponsjes of reinigingsmiddelen, staalwol of metalen keukengerei/gereedschap om de onderdelen aan de binnenkant of buitenkant van het apparaat te reinigen.
- Was het apparaat niet met water of een waterstraal. Wassen met water kan lekkage veroorzaken en het risico op elektrische schokken verhogen.
- Geen van de onderdelen zijn vaatwasmachinebestendig.

Aanbevolen reinigingsprocedure:

Onderdelen	Hoe te reinigen	Frequentie
Kom	Gebruik een spons of vochtige doek met milde zeep en water, grondig spoelen, desinfecteren en drogen.	Reinig na elk gebruik
Koppelstukken (deeghaak, klopper en garde)	Met de hand wassen met behulp van milde zeep en water, grondig spoelen, desinfecteren en drogen.	Reinig na elk gebruik
Beschermdeksel kom	Met de hand wassen met behulp van spons of vochtige doek met milde zeep en water, grondig spoelen, desinfecteren en drogen.	Reinig na elk gebruik
Buitenoppervlak	Veeg schoon met een schone, vochtige doek met zeep en water, spoelen, desinfecteren en drogen. Gebruik geen waterstraal.	Twee keer per week
Planetaire as	Veeg schoon met een schone, vochtige doek met zeep en water, spoelen, desinfecteren en drogen.	Reinig na elk gebruik

Opslag

- Zorg er voordat u het apparaat opbergt altijd voor dat de stekker van het apparaat uit het stopcontact is getrokken en dat het apparaat volledig is afgekoeld.
- Berg het apparaat op een koele, schone en droge plek op.

Problemen oplossen

Als het apparaat niet naar behoren functioneert, raadpleeg dan de onderstaande tabel voor een oplossing. Als u het probleem nog steeds niet kunt oplossen, neem contact op met de leverancier/dienstverlener. **NIET zelf repareren.**

Probleem	Mogelijke oorzaak	Mogelijke oplossing
Apparaat start niet	Beschermdeksel kom (6) is niet juist gesloten.	Draai het beschermdeksel van de kom (6) naar rechts tot deze volledig en goed is gesloten.
	De kom (2) is niet opgetild en staat niet op de juiste plaats.	Til de kom (2) op en zet op juiste plaats met behulp van de hendel (12).
	De stekker is niet juist aangesloten.	Controleer of de stekker juist is aangesloten op het stopcontact.
Apparaat stopt tijdens gebruik	Interne beveiliging wordt geactiveerd om oververhitting te voorkomen.	Druk op UIT (11) en druk daarna op RESET (14) op de achterkant.
	Schade of defecte transmissieriem	Neem contact op met leverancier
Apparaat maakt teveel lawaai	Apparaat is niet op een horizontale ondergrond geplaatst.	Verstel ondergrond of plaats op andere horizontale ondergrond.
	Kom (2) is niet juist geplaatst.	Zorg ervoor dat de kom (2) juist in de bevestiging van de kom (15) is geplaatst met de geleidepennen (3).
	Koppelstukken zijn niet juist bevestigd.	Verwijder en installeer de koppelstukken opnieuw op de juiste plaats.
	Kom is te vol.	Plaats minder ingrediënten in de kom.
	Beschadigde of versleten transmissieriem.	Neem contact op met leverancier
Planetaire aandrijving moet worden gesmeerd.		
Koppelstukken kunnen niet eenvoudig op de planetaire as worden geïnstalleerd	Te weinig smeermiddel en / of reiniging planetaire as vereist.	Veeg planetaire as schoon met een schone, vochtige doek en smeer de as met minerale olie of vet.
De hendel voor het heffen / laten zakken van de kom (12) is niet eenvoudig te gebruiken	Te weinig smeermiddel op de komgeleiders.	Smeer komgeleiders met minerale olie of vet.

NL

Technische specificaties

Itemnr.: 222829

Bedrijfsspanning en frequentie: 220- 230V~ 50/60Hz

Nominaal ingangsvermogen: 650W

Beschermingsklasse: class I

Beschermingsklasse waterdichtheid: IP21

Maximale capaciteit: 7 liter (800g bloem + 500g water)

Draaisnelheid (tpm): Klopper (250); deeghaak (128); klopper (540)

Afmetingen: 240x420x(H)425mm

Nettogewicht: ca. 21kg

Geluidsniveau: < 70 dB (A)

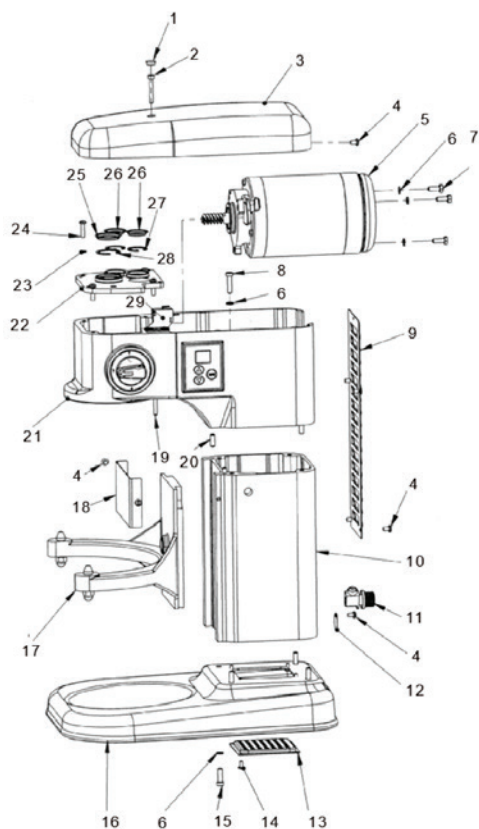
Opmerking: Technische specificaties onderhevig aan verandering zonder voorafgaande kennisgeving.



Explosietekening en onderdelenlijst

- De explosietekening en onderdelenlijst bestaat uit 4 hoofdonderdelen:
- Behuizing van het apparaat (Figuur 1);

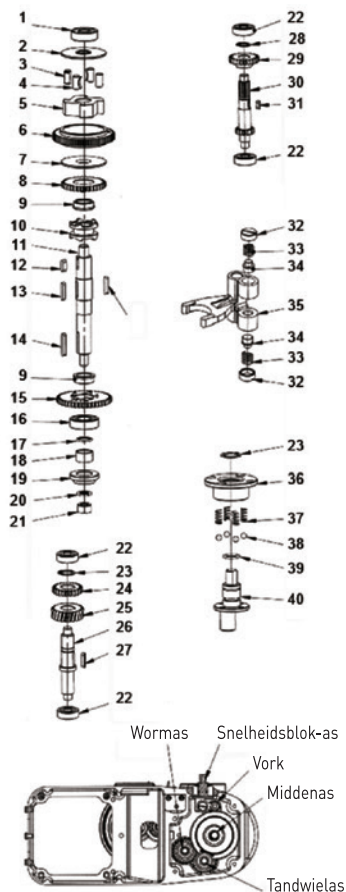
- Aandrijving (Figuur 2);
- Mechanisme heffen kom (Figuur 3);
- Beschermdeksel kom en draaias (Figuur 4).



Figuur 1: Behuizing van het apparaat

Onderdelenlijst Figuur 1

Onderdeel nr.	Naam onderdeel	Aantal
1	Schroefkap	1
2	Schroef deksel	1
3	Deksel	1
4	Schroeven M5x8	10
5	Motor	1
6	Veerring	7
7	Schroeven M6x16	3
8	Schroeven M6x20	4
9	Achterkant behuizing	1
10	Standaard	1
11	Kabelaansluiting	1
12	Aarding	1
13	Ventilatiegaten behuizing	1
14	Schroeven M4x8	4
15	Schroeven M6x20	4
16	Behuizing voetstuk	1
17	Bevestiging kom	1
18	Deksel komgeleider	1
19	Aansluitbalk	1
20	Pin 6x18	1
21	Bovenkant behuizing	1
22	Lagerkap	1
23	Veerring	4
24	Schroeven M5x20	6
25	Kap middenas	1
26	Kap aandrijfias	2
27	Sluistring Ø26	2
28	Sluistring Ø32	2
29	Afdeksplaat schakelaar	1

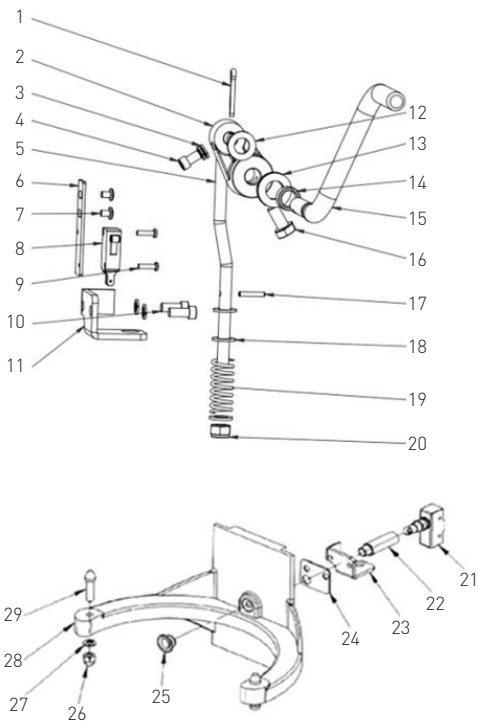


Figuur 2: Aandrijving

Onderdelenlijst Figuur 2

Onderdeel nr.	Naam onderdeel	Aantal
1	Lager	1
2	Deksel	1
3	Rollers	4
4	Veren	4
5	Engager	1
6	Tandwielring	1
7	Scheidingsring	1
8	Verbindingstandwiel	1
9	Lagerring	2
10	Verbinding	1
11	Middenas	1
12	Sleutel 5x14	1
13	Sleutel 4x22	2
14	Sleutel 4x28	1
15	Verbindingstandwiel	1
16	Lager	1
17	O' ring 16x1,8	1
18	Huls middenas	1
19	Huls groot verbindingstandwiel	1
20	Veerring Ø10	1
21	Moer (M10)	1
22	Lager	4
23	Stopring Ø16	2
24	Tandwiel	1
25	Wormwiel	1
26	Wormwielas	1
27	Sleutel 4x18	1
28	Veerring Ø13	1
29	Hoge snelheidstandwiel	1
30	Tandwielas	1
31	Sleutel 4x10	1
32	Moer vork	2
33	Veren vork	2
34	Kleine assen vork	2
35	Stijve steun	1
36	Snelheidsblokken	1
37	Veren	4
38	Stalen bal	4
39	O-ring	1
40	Snelheidsblok-as	1

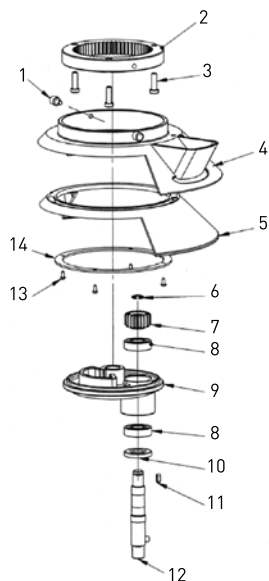




Figuur 3: Mechanisme heffen kom

Onderdelenlijst Figuur 3

Onderdeel nr.	Naam onderdeel	Aantal
1	Pin 3X16	1
2	Bevestiging handvat	1
3	Veerring 6	1
4	Schroeven M6x10	1
5	Hefbalk	1
6	Microschakelaarbeugel	1
7	Schroeven M4x6	2
8	Microschakelaar	1
9	Schroeven M3x12	2
10	Schroeven M6x14	2
11	Ondersteuningsplaat hefbalk	1
12	Platte sluitring 10	1
13	Platte sluitring 12	2
14	Omhulsel	1
15	Handvat	1
16	Schroeven M8x16	1
17	Elastische cylinder (Pin 3X18)	1
18	Platte sluitring 8	3
19	Veer	1
20	Moer (M8)	1
21	Microschakelaar	1
22	Aansluiting schakelaar	1
23	Schakelaarsteun	1
24	Schakelaarrek	1
25	Afdekking knop	1
26	Moer	2
27	Veerring	2
28	Arm bevestiging kom	1
29	Geleidepennen	2

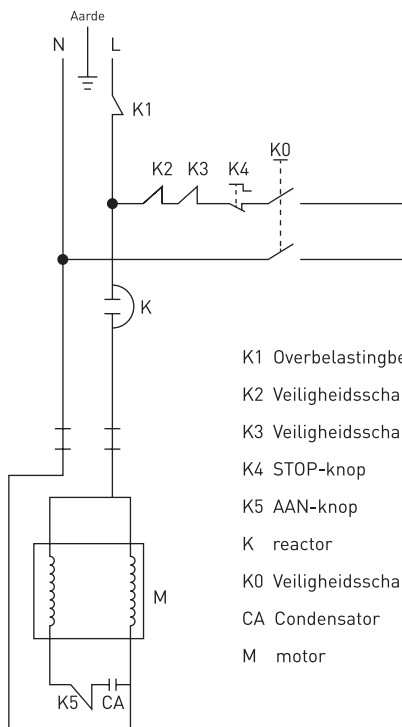


Onderdelenlijst Figuur 4

Onderdeel nr.	Naam onderdeel	Aantal
1	Inzetstuk	2
2	Binnentandwiel	1
3	Schroeven M6x20	4
4	Beschermdeksel kom (buitenkant)	1
5	Beschermdeksel kom (binnenkant)	1
6	Veerring Ø12	1
7	Planetair tandwiel	1
8	Bearing	1
9	Turning plate	1
10	Oil seal ring	1
11	Pin 4x10	1
12	Mixing axle	1
13	Screws	4
14	Bowl guard ring	1

Figuur 4: Beschermdeksel kom en draaias

Elektrisch schema



- K1 Overbelastingbeveiliging (thermische beveiliging)
- K2 Veiligheidsschakelaar hefhandel kom
- K3 Veiligheidsschakelaar beschermdeksel kom
- K4 STOP-knop
- K5 AAN-knop
- K reactor
- K0 Veiligheidsschakelaar kompositie
- CA Condensator
- M motor



Garantie

Elk defect waardoor de werking van het apparaat nadelig wordt beïnvloed dat zich binnen één jaar na aankoop van het apparaat voordoet, wordt gratis hersteld door reparatie of vervanging, mits het apparaat conform de instructies is gebruikt en onderhouden en niet op enigertei wijze verkeerd is behandeld of misbruikt. Dit laat onverlet uw bij wet bepaalde rechten. Als de garantie van kracht is, vermeld dan waar en wanneer u het apparaat

hebt gekocht en sluit een aankoopbewijs bij (bijv. kassabon of factuur).

Gezien ons streven naar voortdurende verdere productontwikkeling behouden wij ons het recht voor, zonder voorafgaande kennisgeving wijzigingen aan te brengen aan product, verpakking en documentatie.

Verwijdering & milieu

Bij de buitengebruikstelling van het apparaat, mag het niet met het overige huisafval worden verwijderd. In plaats daarvan is het uw verantwoordelijkheid om uw afgedankte apparatuur in te leveren bij een daartoe aangewezen inzamelpunt. Het niet opvolgen van deze regel kan worden bestraft in overeenstemming met de geldende voorschriften voor afvalverwerking. De gescheiden inzameling en recycling van uw afgedankte apparatuur ten tijde van buitengebruikstelling helpt bij de instand-

houding van natuurlijke hulpbronnen en waarborgt dat de apparatuur wordt gerecycled op een manier die de volksgezondheid en het milieu beschermt. Voor meer informatie over waar u uw afval kunt inleveren voor recycling kunt u contact opnemen met uw lokale afvalverwerkingsbedrijf. De fabrikant en importeurs nemen geen verantwoordelijkheid voor de recycling, behandeling en ecologische verwijdering, hetzij rechtstreeks of via een openbaar systeem.

Szanowny Kliencie,

Dziękujemy za zakup urządzenia firmy HENDI. Prosimy o uważne zapoznanie się z niniejszą instrukcją przed podłączeniem urządzenia, aby uniknąć uszkodzeń spowodowanych niewłaściwą obsługą. Należy zwrócić szczególną uwagę na zasady bezpieczeństwa.

Zasady bezpieczeństwa


- Nieprawidłowa obsługa i niewłaściwe użytkowanie mogą spowodować poważne uszkodzenie urządzenia lub zranienie osób.
- Urządzenie nie jest przeznaczone do użytku domowego.
- Urządzenie należy stosować wyłącznie zgodnie z przeznaczeniem. Producent nie ponosi żadnej odpowiedzialności za szkody spowodowane nieprawidłową obsługą i niewłaściwym użytkowaniem urządzenia.
- W czasie użytkowania zabezpiecz urządzenie i wtyczkę kabla zasilającego przed kontaktem z wodą lub innymi płynami. W mało prawdopodobnym przypadku zanurzenia urządzenia w wodzie, należy natychmiast wyciągnąć wtyczkę z kontaktu, a następnie zlecić kontrolę urządzenia specjalistom. Nieprzestrzeganie tej instrukcji może spowodować zagrożenie życia.
- Nigdy nie otwieraj samodzielnie obudowy urządzenia.
- Nie wtykaj żadnych przedmiotów w obudowę urządzenia.
- Nie dotykaj wtyczki kabla zasilającego wilgotnymi rękami.
- ⚠ **Niebezpieczeństwo porażenia prądem!** Nie należy samodzielnie naprawiać urządzenia. Wszelkie usterki i niesprawności winny być usuwane wyłącznie przez wykwalifikowany personel.
- **Nigdy nie używać uszkodzonego urządzenia!** Uszkodzone urządzenie należy odłączyć od sieci i skontaktować się ze sprzedawcą.
- **Ostrzeżenie:** Nie zanurzać części elektrycznych urządzenia w wodzie ani w innych płynach. Nie wkładać urządzenia pod bieżącą wodę.
- Regularnie sprawdzać wtyczkę i sznur zasilający pod kątem uszkodzeń. Uszkodzoną wtyczkę lub sznur przekazać w celu naprawy do punktu serwisowego lub innej wykwalifikowanej osoby, aby zapobiec ewentualnym zagrożeniom i obrażeniom ciała.
- Upewnić się, czy sznur zasilający nie styka się z ostrymi ani gorącymi przedmiotami; trzymać sznur z dala od otwartego płomienia. Aby wyjąć wtyczkę z gniazdka, zawsze ciągnąć za wtyczkę, a nie za sznur.
- Zabezpieczyć sznur zasilający (lub przedłużający) przez przypadkowym wyciągnięciem z kontaktu. Sznur prowadzić w sposób uniemożliwiający przypadkowe potknięcie.
- Stale nadzorować urządzenie podczas użytkowania.
- **Ostrzeżenie!** Jeżeli wtyczka jest włożona do gniazdka, urządzenie należy uważać za podłączone do zasilania.
- Przed wyjęciem wtyczki z gniazdka wyłączyć urządzenie!
- Nigdy nie przenosić urządzenia, trzymając za sznur.
- Nie używać żadnych akcesoriów, które nie zostały dostarczone wraz z urządzeniem.

PL



- Urządzenie należy podłączać wyłącznie do gniazdka o napięciu i częstotliwości podanych na tabliczce znamionowej.
- Włożyć wtyczkę do gniazdka zlokalizowanego w dogodnym łatwo dostępnym miejscu, tak by w przypadku awarii istniała możliwość natychmiastowego odłączenia urządzenia. W celu całkowitego wyłączenia urządzenia odłączyć je od źródła zasilania. W tym celu wyjąć z gniazdka wtyczkę znajdującą się na końcu sznura odłączanego urządzenia.
- Przed odłączeniem wtyczki zawsze pamiętać o wyłączeniu urządzenia!
- Nie korzystać z akcesoriów niezalecanych przez producenta. Zastosowanie niezalecanych akcesoriów może stwarzać zagrożenie dla użytkownika oraz prowadzić do uszkodzenia urządzenia. Korzystać wyłącznie z oryginalnych części i akcesoriów.
- Z urządzenia nie mogą korzystać osoby (także dzieci), u których stwierdzono osłabione zdolności fizyczne, sensoryczne lub umysłowe, albo którym brakuje odpowiedniej wiedzy i doświadczenia.
- W żadnym wypadku nie zezwalać na obsługę urządzenia przez dzieci.
- Urządzenie wraz ze sznurem przechowywać poza zasięgiem dzieci.
- Nie dopuścić, by dzieci wykorzystywały urządzenie do zabawy.
- Zawsze odłączyć urządzenie od zasilania, jeżeli ma być ono pozostawione bez nadzoru, a także przed montażem, demontażem i czyszczeniem.
- Nie zostawiać urządzenia bez nadzoru podczas użytkowania.

Szczególne przepisy bezpieczeństwa

- Korzystaj z urządzenia wyłącznie zgodnie z instrukcją.
- Urządzenie powinno zostać zamontowane i być obsługiwane wyłącznie przez wykwalifikowany personel kuchenny w punktach przemysłu spożywczego, np. świadczących usługi cateringowe, piekarniach, pizzeriach, cukierniach itp.
- Wszelkie czynności konserwacyjne i montażowe oraz naprawa urządzenia powinna zostać przeprowadzana przez wykwalifikowanych, upoważnionych techników.
-  Z tyłu urządzenia znajduje się gniazdo ekwipotencjalne umożliwiające podłączenie krzyżowe do innego urządzenia.
- Nie umieszczaj urządzenia na obiekcie emitującym ciepło (kuchenka gazowa, elektryczna, grill, itp.). Trzymaj urządzenie z dala od jakichkolwiek gorących powierzchni lub otwartego płomienia. Ustaw urządzenie na równej, stabilnej, czystej i suchej powierzchni, odpornej na działanie wysokich temperatur.
- Nie używaj urządzenia w pobliżu materiałów wybuchowych lub łatwopalnych, kart płatniczych, dysków magnetycznych lub radioodbiorników.
- Jeśli to konieczne, podczas obsługi urządzenia załóż odzież ochronną, maskę lub okulary ochronne.
- Urządzenie nie jest przystosowane do obsługi za pomocą zewnętrznego minutnika lub oddzielnego systemu zdalnego sterowania.
- Nigdy nie manipuluj przy blokadach bezpieczeństwa.
- **OSTRZEŻENIE:** Nie zastanawiaj otworów wentylacyjnych urządzenia.

- **OSTRZEŻENIE: ZAWSZE** pamiętaj o wyłączeniu i odłączeniu urządzenia od źródła zasilania przed czyszczeniem, konserwacją lub wymianą akcesoriów.
- Zapewnij co najmniej 30-centymetrowe odstępstwa wokół urządzenia w celu umożliwienia prawidłowej wentylacji.
- **Uwaga!** Odpowiednio poprowadź i zabezpiecz przewód zasilający, aby zapobiec przypadkowemu pociągnięciu lub kontaktowi z płytą grzewczą.
- **OSTRZEŻENIE! ZAWSZE** pamiętaj, by nie nosić luźnej odzieży i nie dotykać ruchomych części urządzenia rękoma oraz by związać włosy.
- Podczas pracy urządzenia nie wkładaj rąk pod osłonę ani do miski.
- Nie wkładaj do miski zbyt dużych ilości składników, aby zapobiec przelaniu się zawartości. Miska mieści maksymalnie 10 litrów (model 222836, 222966) lub 20 litrów (model 222843, 222973).
- Nie myj urządzenia wodą lub za pomocą silnego strumienia. Mycie urządzenia wodą może spowodować jej przedostanie się do części elektrycznych i doprowadzić do porażenia prądem. Części urządzenia nie mogą być myte w zmywarce.
- Nie czyść ani nie umieszczaj urządzenia w miejscu przechowywania, zanim całkowicie nie ostygnie.
- Należy zachować szczególną ostrożność podczas przenoszenia urządzenia ze względu na jego ciężar. Urządzenie powinno być przenoszone przez 2 osoby lub przemieszczane za pomocą wózka. Przenoś urządzenie powoli i ostrożnie, nie przechylając go bardziej niż pod kątem 45°.

Przeznaczenie

- Urządzenie przeznaczone do użytku profesjonalnego, obsługa tylko przez wykwalifikowany personel.
- Urządzenie przeznaczone jest do użytku komercyjnego i służy do miksowania, zagniatania i emulgowania/ubijania produktów żywnościowych w punktach przemysłu spożywczego i w sklepach. Użycie urządzenia w jakimkolwiek innym celu może prowadzić do jego uszkodzenia lub do obrażeń ciała.
- Wykorzystanie urządzenia w jakimkolwiek innym celu uznane będzie za wykorzystanie niezgodne z przeznaczeniem. Użytkownik będzie wyłącznie odpowiedzialny za nieprawidłowe wykorzystanie urządzenia.

Montaż uziemienia

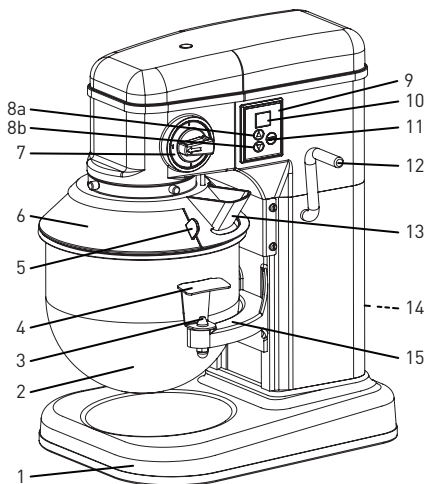
Mikser jest urządzeniem I klasy ochronności i wymaga uziemienia. Uziemienie zmniejsza ryzyko porażenia prądem, dzięki zastosowaniu przewodu odprowadzającego prąd elektryczny. Urządzenie

wyposażone jest w przewód z uziemieniem z wtykiem uziemiającym. Wtyczka musi zostać podłączona do gniazdka sieciowego, które zostało odpowiednio zamontowane i uziemione.

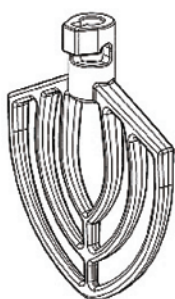


Główne części urządzenia

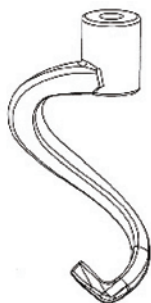
1. Podstawa urządzenia
2. Misa
3. Trzpienie blokujące (x 2)
4. Uchwyty misy (x 2)
5. Uchwyt ostony misy
6. Ostona misy
7. Pokrętko regulacji prędkości
- 8a. Timer (zwiększenie wartości czasu)
- 8b. Timer (zmniejszenie wartości czasu)
9. Panel sterowania
10. Wyświetlacz timera
11. Przetącznik (ON/OFF)
12. Dźwignia podnoszenia/opuszczania misy
13. Wbudowany wysp na składniki
14. Przycisk RESET (z tyłu urządzenia)
15. Wspornik misy



Akcesoria



Mieszadło płaskie



Hak do wyrabiania ciasta



Różga

Przed montażem

- Ostrożnie odkręć śruby przytwierdzające urządzenie do elementu wsporczego, jeśli to konieczne - przy pomocy klucza francuskiego.
- Zdejmij i usuń opakowanie oraz zabezpieczenia.
- Sprawdź urządzenie pod kątem kompletności oraz ewentualnych uszkodzeń podczas transportu. W przypadku niekompletnej dostawy (np. braku akcesoriów) lub uszkodzeń urządzenia,

natychmiast skontaktuj się z dostawcą. W takim przypadku NIE korzystaj z urządzenia (Patrz ==> Gwarancja).

- Wyczyść urządzenie oraz akcesoria (patrz ==> Czyszczenie i konserwacja).
- Sprawdź, czy urządzenie jest całkowicie suche.
- Zachowaj opakowanie na wypadek konieczności spakowania urządzenia w przyszłości.

Montaż

- Uważnie zapoznaj się z treścią instrukcji przed montażem i korzystaniem z urządzenia.
- Upewnij się, że urządzenie zostało umieszczone na suchej powierzchni o odpowiedniej wytrzymałości, w miejscu, które umożliwia łatwy dostęp do urządzenia.
- Upewnij się, czy specyfikacja urządzenia na tabliczce znamionowej odpowiada parametrom gniazdka elektrycznego, do którego ma być podłączone urządzenie.
- Aby umożliwić operatorowi pracę, wokół urządzenia musi być zachowana odpowiednia przestrzeń. Wokół urządzenia nie mogą znajdować się żadne przedmioty, takie jak obieraczki, noże itp.
- Podczas pracy z urządzeniem nie noś luźnej odzieży, np. szalików itp., zwiąż włosy i nie zbliżaj żadnej części ciała do ruchomych elementów urządzenia.

UWAGA! Nigdy nie odłączaj przetącnika bezpieczeñstwa.

Transport i obsługa urządzenia

- Nie przenoś urządzenia podczas jego pracy.
- Jeśli chcesz przenieść urządzenie w inne miejsce, najpierw odłącz wtyczkę z gniazdka, wyjmij misę [2], odłącz akcesoria (różgę, mieszadło płaskie lub hak do mieszania ciasta).
- Podczas przenoszenia chwyć urządzenie za podstawę [1].
- Ze względu na swój ciężar, urządzenie powinno być przenoszone przez 2 osoby lub przemieszczane za pomocą wózka.

Szczególne zabezpieczenia

Uwaga: Urządzenie wyposażone jest w 3 elementy zabezpieczające. Urządzenie może zostać uruchomione jedynie, gdy wszystkie elementy zabezpieczające znajdują się we właściwych pozycjach.

- Zabezpieczenie misy: Urządzenie może zostać uruchomione dopiero, gdy misa została prawidłowo umieszczona na wsporniku.
- Zabezpieczenie ostony misy (5): Urządzenie może zostać uruchomione dopiero, gdy ostona misy (5) została prawidłowo zamocowana i zablokowana.
- Zabezpieczenie dźwigni [12]: Urządzenie może zostać uruchomione dopiero, gdy dźwignia [12] znajduje się w pozycji górnej.

Podczas pracy z urządzeniem nie noś luźnej odzieży, np. szalików itp., zwiąż włosy i nie zbliżaj żadnej części ciała do ruchomych elementów urządzenia.

Obsługa

Aby uniknąć poważnych obrażeń ciała:

- NIGDY NIE obsługuj urządzenia przed zapoznaniem się z niniejszą instrukcją.
- ZAWSZE pamiętaj o wyłączeniu i odłączeniu urządzenia od źródła zasilania przed czyszczeniem, konserwacją, naprawą lub wymianą akcesoriów.
- ZAWSZE pamiętaj, by nie nosić luźnej odzieży i nie dotykać ruchomych części urządzenia rękoma oraz by związać włosy.

a) Ostona misy

Uwaga: Jeśli ostona misy [6] jest otwarta, nie została prawidłowo zamocowana i zamknięta, urządzenie nie uruchomi się.

1. Aby otworzyć ostonę misy [6], chwyć uchwyt ostony (5) i obróć zgodnie z ruchem wskazówek zegara. Aby zamknąć ostonę misy [6], chwyć uchwyt ostony (5) i obróć przeciwnie do ruchu wskazówek zegara.
2. Kiedy uchwyt ostony misy (5) przebiega równo z prawą stroną urządzenia, ostona misy [6] znajduje się we właściwej pozycji i można rozpocząć pracę.



b) Zamontuj misę (2) urządzenia

Uwaga: Zamontuj misę (2) urządzenia PRZED zamocowaniem akcesoriów. Używaj wyłącznika misy (2) dostarczonej wraz z urządzeniem.

1. Opuść wspornik misy za pomocą dźwigni (12), kierując ją w dół, aż misa zatrzyma się. Wspornik misy (15) powinien znajdować się w położeniu dolnym.

2. Ostrożnie i powoli umieść misę (2) na wsporniku za pomocą uchwytów (4) znajdujących się po obu stronach, a następnie

- i) umieść trzpień blokujący w otworze znajdującym się w połowie wspornika misy (15) i
- ii) za pomocą trzpieni ustaw misę w odpowiedniej płaszczyźnie w stosunku do wspornika (15).



c) Zamocuj odpowiednie akcesoria (mieszadło płaskie, hak do ciasta lub różgę)

Uwaga: Wygodniej będzie zamontować akcesoria przed umieszczeniem w misie (2) składników.

1. Delikatnie przekręć ostonę misy (6) zgodnie z ruchem wskazówek zegara, by przesunąć ją do pozycji otwartej.
2. **UWAGA!** Użycie zbyt dużej siły przy otwieraniu lub zamykaniu ostony misy (6) może uszkodzić mikroprzetłącznik elementu zabezpieczającego.

Zachowaj ostrożność podczas otwierania lub zamykania ostony misy (6).

3. Powoli wsuń akcesoria (mieszadło płaskie, hak do mieszania ciasta lub różgę) do watu miksera planetarnego, wsuwając sworzeń wale przez otwór w akcesorium.
4. Obróć akcesorium, by zablokować je w wale miksera planetarnego.

d) Wlewanie i mieszanie składników

Uwaga: Postępuj zgodnie z zamieszczoną w niniejszej instrukcji tabelą określającą maksymalną ilość składników, odpowiadającą pojemności misy. Zapelnienie misy powyżej jej pojemności może spowodować wyciek i w efekcie uszkodzenie urządzenia.

WAŻNE INFORMACJE: Upewnij się, że pokrętko regulacji prędkości (7) ustawione jest w pozycji „1”.

1. Umieść odpowiednie składniki w misie (2).

2. Przesuń dźwignię podnoszenia/opuszczania misy (12) do góry, aż misa (2) znajdzie się we właściwej pozycji.
3. Obróć ostonę misy (6) przeciwnie do ruchu wskazówek zegara, aż się zablokuje.

Uwaga: Urządzenie nie uruchomi się, jeśli ostona misy (6) jest otwarta / nie została prawidłowo zablokowana lub misa (2) znajduje się w pozycji dolnej.

e) Ustaw timer oraz prędkość i uruchom urządzenie

1. Urządzenie może pracować z ustawionym timerem (czasem pracy) lub bez niego.

a) Praca z ustawionym timerem:

Wciśnij odpowiednio przycisk Time+ (8a) lub Time- (8b), aby zwiększyć lub zmniejszyć wartość czasu. Aby zatwierdzić, wciśnij czerwony przetłącznik ON/OFF (11).

Na wyświetlaczu (10) pojawi się ustawiony czas i zamiga kropka.



b) Praca bez ustawionego timera:

Urządzenie wyłączy się automatycznie po 10 minutach (domyślny czas pracy określony przez timer).

Uwaga: i) Maksymalny czas pracy (ustawienie timera) wynosi 60 minut. Domyślny czas pracy wynosi 10 minut.

ii) Naciśnij i przytrzymaj przycisk Time+ (8a) lub Time- (8b) w celu szybszej zmiany wartości ustawianego czasu.

2. Następnie wybierz odpowiednią prędkość mieszania za pomocą pokrętła regulacji prędkości (7). Do wyboru są trzy prędkości: niska (1), średnia (2) i wysoka (3).

3. Następnie wciśnij czerwony przetącznik ON/OFF (11) znajdujący się na panelu sterowania (9), aby włączyć urządzenie. Wciśnij ponownie przycisk ON/OFF, aby je wyłączyć. Urządzenie rozpocznie mieszanie w kierunku zgodnym z ruchem wskazówek zegara.

4. UWAGA! Przed zmianą prędkości ZAWSZE najpierw zatrzymaj urządzenie. Zmiana prędkości bez wcześniejszego zatrzymania urządzenia może uszkodzić konstrukcję wewnętrzną urządzenia.

5. Aby zmienić prędkość podczas pracy:

- Wciśnij czerwony przetącznik ON/OFF (11) znajdujący się na panelu sterowania (9), aby wyłączyć urządzenie.
- Wybierz odpowiednią prędkość mieszania za pomocą pokrętła regulacji prędkości (7).
- Wciśnij czerwony przetącznik ON/OFF (11) znajdujący się na panelu sterowania (9), aby ponownie włączyć urządzenie.

Prędkość mieszania	Rodzaj składnika
1 (niska)	ciężki: Mieszanie ciasta na pizzę, chleb, makaron
2 (średnia)	średnio ciężki: Drugi stopień mieszania np. na ciasto na wypieki itp.
3 (wysoka)	lekki: Ubijanie śmietany, białek, bezy.

WAŻNE INFORMACJE: ZAWSZE używaj zalecanego akcesorium oraz ustawienia prędkości zgodnie z tabelą pojemności.

UWAGA: Podczas przesypywania składników do misy (2) uważaj na pył i mąkę wydobywającą się z otwartych opakowań.

Jeśli to konieczne, włóż okulary ochronne.

Zresetuj bezpiecznik termiczny (zabezpieczenie przed przegrzaniem)

Należy pamiętać, że przycisk RESET bezpiecznika termicznego (14) znajduje się w tylnej części urządzenia.

- Najpierw odłącz urządzenie od źródła zasilania.
- Pozostaw urządzenie do całkowitego ostygnięcia.

- Naciśnij przycisk RESET (14) bezpiecznika termicznego (zabezpieczenie przed przegrzaniem).
- Następnie, ponownie podłącz urządzenie do źródła zasilania i włącz.

PL

Tabela pojemności, określająca maksymalną ilość składników

Poniższa tabela ma charakter referencyjny i określa maksymalną ilość składników, jaką można użyć do przyrządzenia różnego rodzaju potraw. Istnieje

wiele czynników zmiennych, np. typ wykorzystanej mąki, temperatura wody itp.

Produkt	Akcesorium	Maksymalna ilość	
Białko jajka	Rózga	700g	
Tłuczone ziemniaki	Mieszadło płaskie	1,500g	
Beza (ilość wody)	Rózga	1 litre	
Ciasto na wafle lub naleśniki	Mieszadło płaskie	2 litres	
Bitą śmietaną	Rózga	3 litres	
Ciasto na pizzę (Średniej gęstości, 50% wody)	Hak do wyrabiania ciasta, prędkość 1	1,500g	
Ciasto na pizzę (Gęste, 60% wody)	Hak do wyrabiania ciasta, prędkość 1	2,000g	
Biszkopt	Rózga, prędkość 1	1,000g	
Ciasto na placek	Mieszadło płaskie, prędkość 1	1,500g	
Ciasto na chleb lub bułki (Lekkie/Średniej gęstości, 60% wody)	Hak do wyrabiania ciasta, prędkość 1	Woda 500 g	Mąka 800 g



Czyszczenie i konserwacja

Uwaga: Przed rozpoczęciem czyszczenia, konserwacji, naprawy i umieszczeniem urządzenia w miejscu przechowywania, zawsze odłącz urządzenie od gniazdka sieciowego i odczekaj, aż ostygnie.

Czyszczenie

- Przed czyszczeniem urządzenia zawsze odłącz akcesoria - w przeciwnym przypadku mogą zablokować się w wale i trudno będzie je wyjąć.
- Po każdym użyciu dokładnie wyczyść urządzenie i akcesoria oraz upewnij się, czy usunięte zostały wszystkie pozostałości jedzenia.
- Nigdy nie zanurzaj urządzenia w wodzie ani innych płynach.
- Powierzchnie urządzenia czyść przy pomocy wilgotnej ściereczki lub gąbki, z niewielką ilością łagodnego roztworu środka myjącego.
- Do czyszczenia wnętrza i zewnętrznych części urządzenia nigdy nie używaj szorstkich gąbek ani żrących detergentów, jak również druciaków lub przyrządów metalowych.
- NIE myj urządzenia wodą lub za pomocą silnego strumienia. Mycie urządzenia wodą może spowodować jej przedostanie się do części elektrycznych i doprowadzić do porażenia prądem.
- Części urządzenia ani akcesoria nie mogą być myte w zmywarce.

Zalecany sposób mycia urządzenia:

Części	Czyszczenie	Częstotliwość
Misa	Za pomocą gąbki lub wilgotnej ściereczki z niewielką ilością łagodnego roztworu środka myjącego, przemyj, zdezynfekuj i dokładnie wysusz.	Umyj po każdym użyciu.
Akcesoria (hak do ciasta, mieszadło płaskie i różga)	Umyj ręcznie za pomocą łagodnego roztworu środka myjącego, przemyj, zdezynfekuj i dokładnie wysusz.	Umyj po każdym użyciu.
Ostona misy	Umyj ręcznie za pomocą gąbki lub wilgotnej ściereczki z niewielką ilością łagodnego roztworu środka myjącego, przemyj, zdezynfekuj i dokładnie wysusz.	Umyj po każdym użyciu.
Powierzchnia zewnętrzna	Przetrzyj ściereczką z łagodnym roztworem środka myjącego, przemyj, zdezynfekuj i dokładnie wysusz. Do czyszczenia nie używaj strumienia wody.	Dwa razy w tygodniu
Wał mechanizmu planetarnego	Przetrzyj ściereczką z łagodnym roztworem środka myjącego, przemyj, zdezynfekuj i dokładnie wysusz.	Umyj po każdym użyciu.

Przechowywanie

- Przed umieszczeniem w miejscu przechowywania, zawsze upewnij się, czy urządzenie zostało odłączone od gniazdka sieciowego i całkowicie ostygło.
- Przechowuj urządzenie w chłodnym, czystym i suchym miejscu.



Wyszukiwanie i usuwanie usterek

Jeśli urządzenie nie działa prawidłowo, zapoznaj się z poniższą tabelą w celu znalezienia prawidłowego rozwiązania. Jeśli nadal nie możesz rozwiązać problemu, skontaktuj się z dostawcą. NIGDY nie przeprowadzaj naprawy samodzielnie.

Problem	Możliwa przyczyna	Możliwe rozwiązanie
Urządzenie nie uruchamia się	Ostona misy (6) nie znajduje się w prawidłowej (zablokowanej) pozycji.	Obróć ostonę misy (6) w prawo, aż znajdzie się w prawidłowej (zablokowanej) pozycji.
	Misa (2) nie została podniesiona wystarczająco i nie znajduje się we właściwym położeniu.	Podnieś misę (2) do właściwego położenia za pomocą dźwigni (12).
	Wtyczka nie jest prawidłowo podłączona do źródła zasilania.	Sprawdź, czy wtyczka jest prawidłowo podłączona do źródła zasilania.
Urządzenie zatrzymuje się podczas pracy.	Uruchomito się wewnętrzne zabezpieczenie przez przegrzaniem.	Wyłącz urządzenie za pomocą przełącznika (11), a następnie wciśnij przycisk RESET (14) znajdujący się z tyłu urządzenia.
	Uszkodzony lub zniszczony pas przekładni.	Skontaktuj się z dostawcą.
Urządzenie pracuje zbyt głośno	Urządzenie nie zostało umieszczone na poziomej powierzchni.	Ustaw powierzchnię poziomo lub przenieś urządzenie na inną, poziomą powierzchnię.
	Misa (2) nie została prawidłowo umieszczona we wsporniku.	Upewnij się, że misa (2) została prawidłowo umieszczona we wsporniku (15), z prawidłowo umieszczonymi stworzeniami blokującymi (3).
	Akcesoria nie zostały prawidłowo zamontowane.	Wymij akcesoria i zamontuj ponownie prawidłowo.
	Zbyt dużo składników w misie.	Zmniejsz ilość składników.
	Uszkodzony lub zużyty pas przekładni.	Skontaktuj się z dostawcą.
	Przekładnia planetarna musi zostać nasmarowana.	
Montaż akcesoriów w wale planetarnym jest utrudniony.	Wał planetarny niedostatecznie nasmarowany i/lub wymagane jego czyszczenie.	Przetrzyj wał planetarny czystą, wilgotną ściereczką i nasmaruj wał za pomocą oleju mineralnego bądź smaru.
Dźwignia podnoszenia/opuszczania misy (12) zaczyna się.	Niewystarczająca ilość smaru na bokach misy.	Nasmaruj boki misy olejem mineralnym bądź smarem.

Specyfikacja techniczna

Nr produktu: 222829

Napięcie robocze i częstotliwość: 220- 230V- 50/60Hz

Znamionowy pobór mocy: 650W

Stopień ochrony: klasa I

Klasa wodoodporności: IP21

Maksymalna wydajność: 7 litrów (800 g mąki + 500 g wody)

Prędkość obrotowa (obr./min): Mieszadło płaskie

(250); hak do ciasta (128); rózga (540)

Wymiary: 240x420x(H)425mm

Waga netto: ok. 21kg

Poziom hałas: < 70 dB (A)

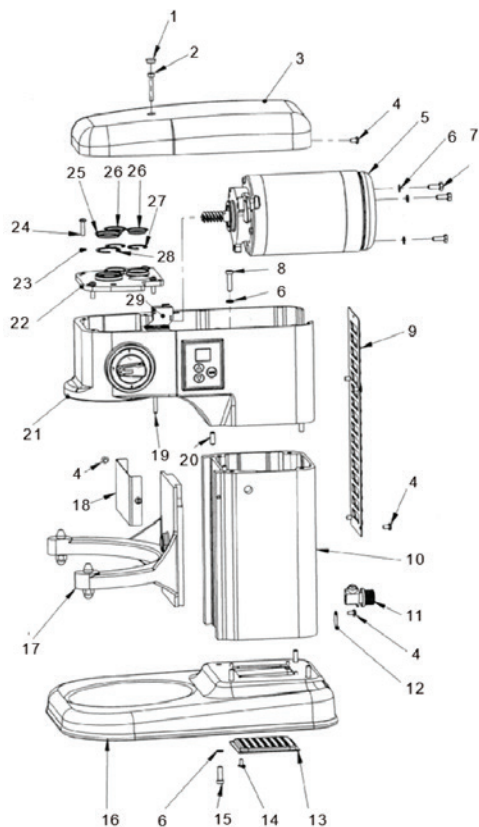
Uwaga: Specyfikacja techniczna może ulec zmianie bez uprzedzenia.



Rysunek złożeniowy i wykaz części

- Rysunek złożeniowy i wykaz części składają się w 4 głównych części:
- Główny korpus urządzenia (Rys. 1);

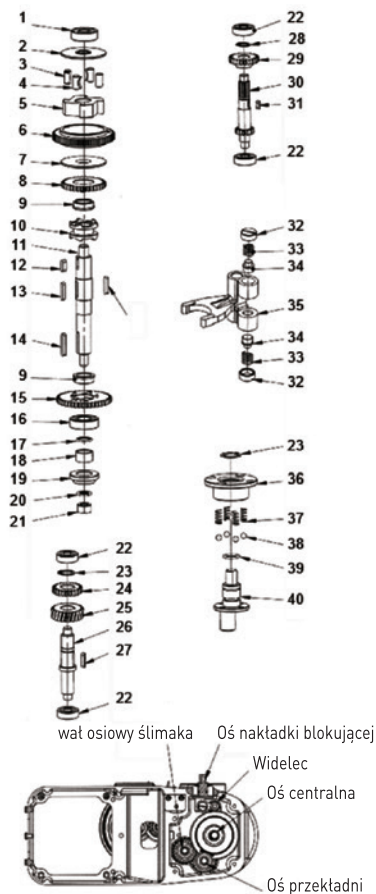
- Zespół przekładni (Rys. 2);
- Zespół podnoszenia miski (Rys. 3);
- Ostona miski i oś skrętna (Rys. 4).



Rys. 1 Główny korpus urządzenia

Wykaz części urządzenia znajdujących się na Rys. 1

Nr części	Nazwa części	Ilość
1	Nakładka śruby	1
2	Górna śruba pokrywy	1
3	Pokrywa górna	1
4	Śruby M5x8	10
5	Zespół silnika	1
6	Podkładka sprężysta	7
7	Śruby M6x16	3
8	Śruby M6x20	4
9	Pokrywa tylna	1
10	Stojak	1
11	Podłączenie kabla	1
12	Uziemienie	1
13	Pokrywa otworów wentylacyjnych	1
14	Śruby M4x8	4
15	Śruby M6x20	4
16	Pokrywa podstawy	1
17	Wspornik miski	1
18	Przesuwana pokrywa zbiornika	1
19	Śtupek łączący	1
20	Sworzeń 6x18	1
21	Korpus górny	1
22	Pokrywa tożyska	1
23	Podkładka sprężysta	4
24	Śruby M5x20	6
25	Pokrywa osi centralnej	1
26	Pokrywa osi przekładni	2
27	Podkładka Ø26	2
28	Podkładka Ø32	2
29	Płytką pokrywy przetężnika	1

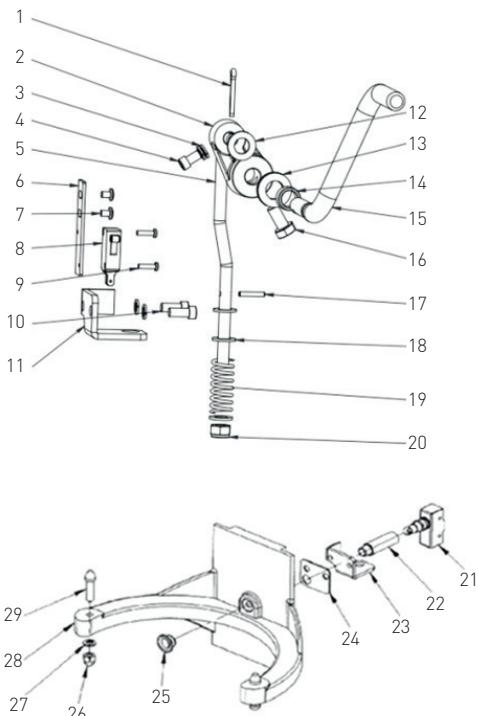


Rys. 2: Zespół przekładni

Wykaz części urządzenia znajdujących się na Rys. 2

Nr części	Nazwa części	Ilość
1	Łożyisko	1
2	Nakładka	1
3	Wałki	4
4	Sprężyny	4
5	Element sprzęgający	1
6	Pierścień przekładni	1
7	Pierścień rozdzielający	1
8	Koto zębate	1
9	Pierścień tożyska	2
10	Złączka	1
11	Oś centralna	1
12	Wpust 5x14	1
13	Wpust 4x22	2
14	Wpust 4x28	1
15	Koto zębate	1
16	Łożyisko	1
17	Pierścień uszśredniający 16x1,8	1
18	Tuleja osi centralnej	1
19	Duża tuleja kota zębatego	1
20	Pierścień sprężyny Ø10	1
21	Nakrętka [M10]	1
22	Łożyisko	4
23	Pierścień blokujący Ø16	2
24	Przekładnia	1
25	Przekładnia ślimakowa	1
26	Oś przekładni ślimakowej	1
27	Wpust 4x18	1
28	Pierścień sprężyny Ø13	1
29	Przekładnia szybkoobrotowa	1
30	Oś przekładni	1
31	Wpust 4x10	1
32	Nakrętka widełca	2
33	Sprężyna widełca	2
34	Mate osie widełca	2
35	Sztywny wspornik	1
36	Nakładka blokująca	1
37	Sprężyny	4
38	Kulka stalowa	4
39	Pierścień uszczelniający	1
40	Oś nakładki blokującej	1





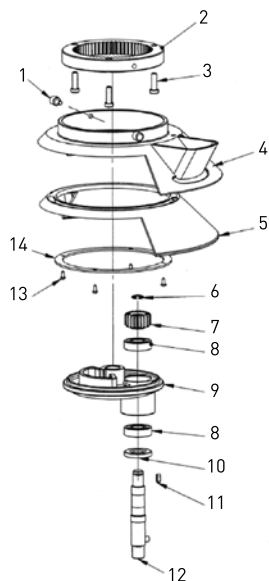
Rys. 3: Zespół podnoszenia misy

Wykaz części urządzenia znajdujących się na Rys. 3

Nr części	Nazwa części	Ilość
1	Sworzeń 3X16	1
2	Jednostka mocująca dźwignię	1
3	Podkładka sprężysta 6	1
4	Śruby M6x10	1
5	Drążek podnoszący	1
6	Wspornik mikroprzetącznika	1
7	Śruby M4x6	2
8	Mikroprzetącznik	1
9	Śruby M3x12	2
10	Śruby M6x14	2
11	Płytki wspornikowa drążka podnoszącego	1
12	Podkładka płaska 10	1
13	Podkładka płaska 12	2
14	Tuleja	1
15	Uchwyt	1
16	Śruby M8x16	1
17	Elastyczny trzpień walcowy 3x18	1
18	Podkładka płaska 8	3
19	Sprężyna	1
20	Nakrętka [M8]	1
21	Mikroprzetącznik	1
22	Połączenie przetącznika	1
23	Wspornik przetącznika	1
24	Prowadnica przetącznika	1
25	Nakładka dźwigni	1
26	Nakrętka	2
27	Podkładka sprężysta	2
28	Ramię wspornika misy	1
29	Trzpień blokujący	2

PL



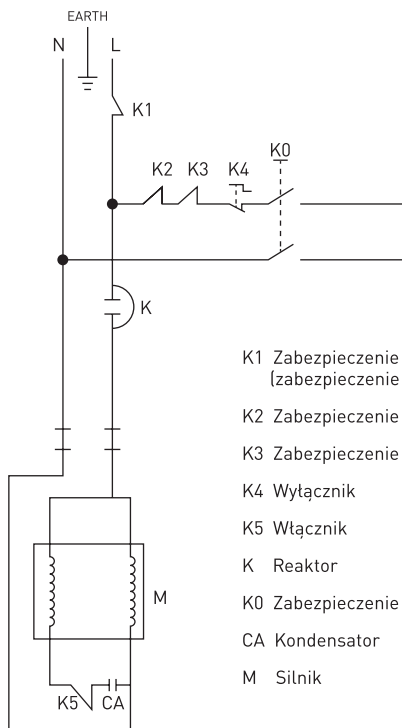


Rys. 4: Ostona miski i oś skrętna

Wykaz części urządzenia znajdujących się na Rys. 4

Nr części	Nazwa części	Ilość
1	Wkładka	2
2	Przekładnia wewnętrzna	1
3	Śruby M6x20	4
4	Zewnętrzna strona ostony miski	1
5	Wewnętrzna strona ostony miski	1
6	Podkładka sprężysta Ø12	1
7	Przekładnia planetarna	1
8	Łożysko	1
9	Płyta obrotowa	1
10	Pierścień uszczelniający olejowy	1
11	Sworzeń 4x10	1
12	Oś mieszadła	1
13	Śruby	4
14	Pierścień ostony miski	1

Schemat połączeń elektrycznych



K1 Zabezpieczenie przed przeciążeniem
(zabezpieczenie przed przegrzaniem)

K2 Zabezpieczenie dźwigni podnoszącej miskę

K3 Zabezpieczenie ostony miski

K4 Włłącznik

K5 Włłącznik

K Reaktor

K0 Zabezpieczenie miski

CA Kondensator

M Silnik



Gwarancja

Każda wada bądź usterka powodująca niewłaściwe funkcjonowanie urządzenia, która ujawni się w ciągu jednego roku od daty zakupu, zostanie bezpłatnie usunięta lub urządzenie zostanie wymienione na nowe, o ile było użytkowane i konserwowane zgodnie z instrukcją obsługi i nie było wykorzystywane w niewłaściwy sposób lub niezgodnie z przeznaczeniem. Postanowienie to w żadnej mierze nie narusza innych praw użytkownika wynikających z przepisów prawa. W przypadku zgłoszenia urzą-

żenia do naprawy lub wymiany w ramach gwarancji należy podać miejsce i datę zakupu urządzenia i dołączyć dowód zakupu (np. paragon).

Zgodnie z naszą polityką ciągłego doskonalenia wyrobów zastrzegamy sobie prawo do wprowadzania bez uprzedzenia zmian w wyrobie, opakowaniu oraz danych technicznych podawanych w dokumentacji.

Wycofanie z użytkowania i ochrona środowiska

Pamiętaj!

Nie wyrzucaj zużytego sprzętu łącznie z innymi odpadami

Nie demontuj zużytych urządzeń zawierających niebezpieczne składniki na własną rękę!

Grożą Ci za to kary grzywny!

Po zakończeniu eksploatacji produktu nie wolno gromadzić razem z odpadami komunalnymi, tylko należy odstawić do punktu odbioru odpadów elektrycznych i elektronicznych. Użytkownik ponosi odpowiedzialność za przekazanie wycofanego z użytkowania urządzenia do punktu gospodarowania odpadami. Nieprzestrzeganie tej zasady może być karane zgodnie z lokalnie obowiązującymi przepisami dotyczącymi gospodarowania odpadami. Jeśli urządzenie wycofane z użytkowania jest poprawnie odebrane jako osobny odpad, może zostać przetworzone i zutylizowane w sposób przyjazny dla środowiska, co zmniejsza negatywny wpływ na środowisko i zdrowie ludzi. Aby uzyskać więcej informacji dotyczących dostępnych usług w zakresie odbioru odpadów, należy skontaktować się z lokalną firmą odbierającą odpady.



Symbol przekreślonego kosza na śmieci oznacza, że tego produktu nie wolno wyrzucać do zwykłych pojemników na odpady.

Zużyte urządzenia elektryczne i elektroniczne mogą zawierać niebezpieczne składniki np. rtęć, ołów, kadm lub freon. Jeśli tego typu substancje przedostaną się w sposób niekontrolowany do środowiska, spowodują skażenie wody i gleby, a także wpłyną niekorzystnie na zdrowie ludzi i zwierząt.


Właściwe postępowanie ze zużytym sprzętem zapobiega potencjalnym negatywnym konsekwencjom dla środowiska naturalnego i ludzkiego zdrowia.

Jednocześnie oszczędzamy naturalne zasoby naszej Ziemi wykorzystując powtórnie surowce uzyskane z przetwarzania sprzętu.

Cher client,

Merci d'avoir acheté cet appareil de HENDI. Veuillez lire attentivement ce mode d'emploi avant de brancher l'appareil afin d'éviter tout endommagement pour cause d'usage abusif. Veuillez notamment lire les consignes de sécurité avec la plus grande attention.

Règles de sécurité


- L'utilisation abusive et le maniement incorrect de l'appareil peuvent entraîner une grave détérioration de l'appareil ou provoquer des blessures.
- Cet appareil n'est pas destiné à un usage domestique.
- L'appareil doit être utilisé uniquement pour le but il a été conçu. Le fabricant décline toute responsabilité en cas de dommage consécutif à un usage abusif ou un maniement incorrect.
- Veillez à tenir l'appareil et la prise électrique hors de portée de l'eau ou de tout autre liquide. Si malencontreusement l'appareil tombe dans l'eau, débranchez immédiatement la prise électrique et faites contrôler l'appareil par un réparateur agréé. La non-observation de cette consigne entraîne un risque d'accident mortel.
- Ne tentez jamais de démonter vous-même le bâti de l'appareil.
- N'enfoncez aucun objet dans la carcasse de l'appareil.
- Ne touchez pas la prise avec les mains mouillées ou humides.
-  **Risque d'électrocution!** Ne tentez jamais de réparer l'appareil. Tous défauts et dysfonctionnement doivent être supprimés par le personnel qualifié.
- **N'utilisez jamais l'appareil endommagé!** Débranchez l'appareil endommagé de l'alimentation électrique et contactez votre revendeur.
- **Avertissement:** N'immergez pas les pièces électriques de l'appareil dans l'eau ou dans d'autres liquides. Ne mettez pas l'appareil sous l'eau courante.
- Vérifiez régulièrement la fiche et le câble d'alimentation pour les dommages. La fiche ou le câble d'alimentation endommagé(e) transmettre pour la réparation au service ou à une personne qualifiée, pour prévenir tous les menaces ou les blessures possibles.
- Assurez-vous que le câble d'alimentation n'est pas en contact avec les objets pointus ou chauds ; gardez le câble loin des flammes nues. Pour retirer la fiche de la prise murale, tirez toujours en tenant la fiche et non le câble d'alimentation.
- Protégez le câble d'alimentation (ou la rallonge) contre le débranchement accidentel de la prise murale. Le câble doit être posé de manière ne provoquant pas les chutes accidentelles.
- Surveillez en permanence l'appareil pendant l'utilisation.
- **Avertissement!** Si la fiche est insérée dans la prise murale, l'appareil doit être considéré comme branché à l'alimentation.
- Avant de retirer la fiche de la prise, éteignez l'appareil !
- Ne transportez jamais l'appareil en tenant le câble.
- N'utilisez aucuns accessoires qui n'ont pas été fournis avec l'appareil.
- L'appareil doit être branché à la prise murale avec une tension et la fréquence indiquées sur la plaque signalétique.

FR



- Insérez la fiche à la prise murale située dans un endroit facilement accessible de sorte qu'en cas de panne l'appareil puisse être immédiatement déconnecté. Pour éteindre complètement l'appareil, débranchez-le de la source d'alimentation. Pour cela, retirez la fiche à l'extrémité du câble d'alimentation de la prise murale.
- Éteignez l'appareil avant de débrancher l'appareil de la prise!
- N'utilisez jamais les accessoires non recommandés par le fabricant. L'utilisation des accessoires non recommandés peut présenter des risques pour l'utilisateur et provoquer les dommages à l'appareil. Utilisez uniquement des pièces et accessoires originaux.
- Cet appareil n'est pas apte à être utilisé par des personnes (enfants compris) avec capacités physiques, sensorielles ou intellectuelles diminuées ou ne possédant pas l'expérience et les connaissances suffisantes.
- Ne laissez jamais les enfants utiliser l'appareil.
- L'appareil et le câble d'alimentation doivent être stockés hors de la portée des enfants.
- Ne permettez pas aux enfants d'utiliser l'appareil pour jouer
- Débranchez toujours l'appareil de l'alimentation s'il doit être laissé sans surveillance et également avant le montage, le démontage et le nettoyage.
- Ne laissez jamais l'appareil sans surveillance lorsqu'il est utilisé.

Consignes particulières de sécurité

- Utilisez l'appareil uniquement conformément aux instructions.
- L'appareil doit être installé et utilisé par le personnel qualifié de la cuisine, dans des points de l'industrie alimentaire par exemple ceux fournissant les services de restauration, dans les boulangeries, les pizzerias, les pâtisseries ou autres points de l'industrie de la confiserie etc.
- Toutes les interventions d'entretien et d'installation et la réparation de l'appareil doivent être effectuées par les techniciens qualifiés et autorisés.
-  Z Sur la partie arrière de l'appareil il y a une prise équipotentielle qui permet l'assemblage en croix d'un autre appareil.
- Ne placez pas l'appareil sur un objet émettant de la chaleur (la cuisinière à gaz, électrique ou les barbecues etc.) Tenez l'appareil éloignés des surfaces chaudes ou des flammes nues. Placez l'appareil sur une surface stable, propre et sèche, résistant à des températures élevées.
- N'utilisez pas à proximité de l'appareil des matériaux inflammables ou explosifs, les cartes bancaires, les disques magnétiques ou la radio.
- Si nécessaire, utilisez pendant le fonctionnement de l'appareil des vêtements de protection, un masque ou des lunettes de protection.
- L'appareil n'est pas conçu pour fonctionner par l'intermédiaire d'une minuterie externe ou d'un système de contrôle à distance séparé.
- Ne modifiez jamais les verrouillages de sécurité.
- **AVERTISSEMENT** : N'obstruez pas les orifices de ventilation.
- **AVERTISSEMENT** : Rappelez-vous toujours d'éteindre ou de débrancher l'appareil.

- Assurez au moins 30 cm d'espace autour de l'appareil pour garantir une ventilation adéquate.
- **Attention !** Faites passer de manière adéquate et protéger le câble d'alimentation pour éviter tout risque de traction ou de contact avec la plaque chauffante.
- **AVERTISSEMENT !** Rappelez-vous de ne pas porter les vêtements amples et ne pas toucher les pièces en mouvement avec vos mains, attachez les cheveux.
- Pendant le fonctionnement de l'appareil ne mettez pas vos mains sous le couvercle ou dans la cuve.
- Ne mettez pas dans la cuve trop d'ingrédients pour éviter tout débordement. La cuve peut contenir jusqu'à 10 litres. (Modèle 222836, 222966) ou 20 litres (modèle 222843, 222973).
- Ne nettoyez pas l'appareil avec de l'eau ou avec un fort courant d'eau. Le lavage de l'appareil avec de l'eau peut provoquer la pénétration de l'eau dans des parties électriques et provoquer le choc électrique. Les parties de l'appareil ne peuvent pas être lavées dans le lave-vaisselle.
- Ne nettoyez pas l'appareil ou ne le rangez pas avant le refroidissement complet.
- Soyez prudent pendant le transport de l'appareil en raison de son poids. L'appareil doit être transporté par deux personnes ou à l'aide d'un chariot. Transportez l'appareil avec précaution et lentement, sans l'incliner à un angle supérieur à 45°.

Destination de l'appareil

- Cet appareil est destiné à un usage professionnel. Ne peut qu'être utilisé par du personnel qualifié.
- L'appareil est destiné à un usage commercial et est utilisé pour mélanger, pétrir et émulsionner / monter les produits alimentaires dans des points de l'industrie alimentaire, dans les magasins. L'utilisation de l'appareil à d'autres fins peut entraîner des dommages ou des blessures.
- L'utilisation de l'appareil à d'autres fins sera considérée comme une utilisation inappropriée. L'utilisateur sera seul responsable de l'utilisation incorrecte de l'appareil.

Mise à la terre

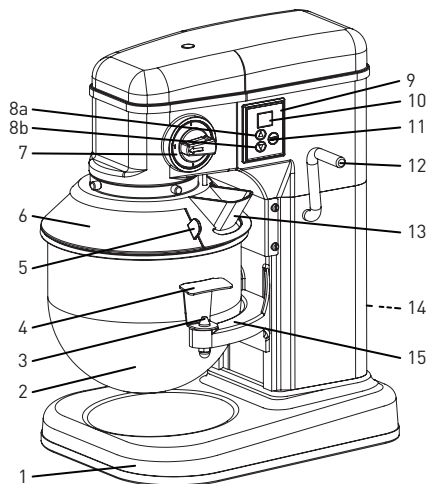
Le batteur mélangeur est un appareil de la Ière classe de protection et doit être obligatoirement mis à la terre. La mise à la terre réduit le risque de choc électrique grâce à un conduit évacuant

le courant électrique. L'appareil est équipé d'un conduit avec la mise à la terre et la prise de terre. N'insérez pas la fiche à la prise murale si l'appareil n'a pas été correctement installé et mis à la terre.

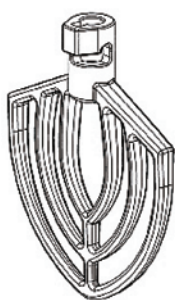


Éléments principaux de l'appareil

1. Base de l'appareil
2. Cuve
3. Tiges de verrouillage (x 2)
4. Poignées de la cuve (x 2)
5. Poignée du couvercle de la cuve
6. Couvercle de la cuve
7. Bouton de contrôle de vitesse
- 8a. Minuterie (augmentation de la valeur du temps)
- 8b. Minuterie (réduction de la valeur du temps)
9. Panneau de commande
10. Afficheur de la minuterie
11. Interrupteur (ON/OFF)
12. Levier de levage / descente de la cuve
13. Entrée intégrée pour les ingrédients
14. Bouton RAZ (au dos de l'appareil)
15. Support de la cuve



Accessoires



Palette



Battreur crochet pour mélanger la pâte



Fouet

Avant le montage

- Desserrez avec précaution les vis de fixation de l'élément de support, si nécessaire, à l'aide d'une clef anglaise.
- Retirez et éliminez l'emballage et toutes les protections.
- Vérifiez l'appareil et les accessoires en ce qui concerne l'intégralité et les dommages éventuels de l'appareil pendant le transport. En cas de livraison incomplète (par exemple les accessoires manquant) ou de dommages, contactez votre fournisseur. N'UTILISEZ PAS l'appareil (voir ==> Garantie).
- Nettoyez l'appareil (voir ==> Nettoyage et entretien).
- Vérifiez que l'appareil est complètement sec.
- Conservez l'emballage si vous avez l'intention de stocker votre appareil à l'avenir.

Installation

- Lisez attentivement les instructions avant l'installation et l'utilisation de l'appareil.
 - Assurez-vous que l'appareil a été placé sur une surface sèche, résistante, dans un endroit où il y a un accès facile à l'appareil.
 - Assurez-vous que la spécification sur la plaque signalétique correspond aux paramètres de la prise de courant à laquelle l'appareil est raccordé.
 - Pour que l'opérateur puisse travailler, autour de l'appareil un espace suffisant doit être maintenu. Ne placez aucuns objets autour de l'appareil tels que les épilateurs ou les couteaux etc.
 - Pendant l'utilisation de l'appareil ne portez pas de vêtements amples tels que des écharpes etc. Attachez vos cheveux et n'approchez aucunes parties du corps à des pièces en mouvement.
- Attention!** Ne débranchez jamais l'interrupteur de sécurité.

Transport et exploitation de l'appareil

- Ne déplacez pas l'appareil pendant son fonctionnement.
- Si vous voulez déplacer l'appareil dans un autre endroit, d'abord débranchez la fiche de la prise de courant, retirez la cuve (2), déconnectez les accessoires (fouet, palette ou batteur crochet).
- Pendant le déplacement de l'appareil, tenez la base de l'appareil (1).
- En raison de son poids l'appareil doit être transporté par deux personnes ou à l'aide d'un chariot.

Dispositifs de sécurité spéciaux

Attention : L'appareil est équipé de 3 éléments de sécurité. L'appareil ne peut être utilisé que lorsque tous les éléments de sécurités sont dans la bonne position.

- Protection de la cuve : l'appareil ne peut être démarré que lorsque la cuve a été correctement positionné sur le support.
- Protection du couvercle de la cuve (5) : L'appareil ne peut être démarré que lorsque le couvercle de la cuve (5) a été correctement fixé et verrouillé.
- Protection du levier (12) : L'appareil ne peut être démarré que lorsque le levier (12) se trouve dans la position supérieure.

Pendant l'utilisation de l'appareil ne portez pas de vêtements amples tels que des écharpes etc. Attachez vos cheveux et n'approchez aucunes parties du corps à des pièces en mouvement.

FR

Fonctionnement

Pour éviter des blessures graves:

- N'UTILISEZ JAMAIS l'appareil avant de lire le présent mode d'emploi.
- Rappelez-vous TOUJOURS d'éteindre et de débrancher l'appareil de la source d'alimentation avant le nettoyage, l'entretien, la réparation ou le remplacement des accessoires.
- Rappelez-vous TOUJOURS de ne pas porter de vêtements amples, d'attacher vos cheveux et de ne pas approcher aucunes parties du corps à des pièces en mouvement.

a) Couvercle de la cuve

Attention : Si le couvercle de la cuve (6) st ouverts et n'a pas été correctement installé et fermé, l'appareil ne démarre pas.

1. Pour ouvrir le couvercle de la cuve (6), prenez la poignée du couvercle (5) et tournez au sens horaire. Pour fermer le couvercle de la cuve (6), prenez la poignée du couvercle (5) et tournez au sens antihoraire
2. Lorsque la poignée du couvercle de la cuve (5) se trouve en ligne droite avec le côté droit de l'appareil, le couvercle de la cuve (6) se trouve dans la position correcte et l'appareil peut être démarré.



b) Installez la cuve (2) de l'appareil

Attention : Installez la cuve (2) de l'appareil AVANT l'installation des accessoires. N'utilisez que la cuve (2) fournie avec l'appareil.

1. Abaissez le support de la cuve en utilisant le levier (12), en le dirigeant vers le bas jusqu'à ce que la cuve s'arrête. Le support de la cuve (15) doit être dans la position basse.
2. Placez soigneusement la cuve (2) sur le support en utilisant les poignées (4) qui se trouve des deux côtés et ensuite

- i) Placez la tige de verrouillage dans le trou qui se trouve au milieu du support de la cuve (15) et
- ii) En utilisant les tiges, placez la cuve dans la position correcte par rapport au support (15).



c) Installez les accessoires (palette, batteur crochet ou fouet)

Attention: Il est plus pratique de fixer les accessoires avant de mettre les ingrédients dans la cuve (2).

1. Tournez doucement le couvercle de la cuve (6) dans le sens horaire pour déplacer vers la position ouverte.
2. **ATTENTION!** L'utilisation de la force excessive lors de l'ouverture ou la fermeture de la cuve (6) peut endommager le micro-interrupteur de

l'élément de sécurité. Soyez prudents lors de l'ouverture ou la fermeture du couvercle de la cuve (6).

3. Insérez lentement les accessoires (palette, batteur crochet ou fouet) à l'arbre du batteur mélangeur planétaire en insérant l'axe de l'arbre à travers d'un trou dans l'accessoire.
4. Tournez l'accessoire pour le bloquer dans l'arbre du batteur mélangeur planétaire.

d) Versement et mélange des ingrédients

Attention: Suivez les instructions spécifiées dans le tableau déterminant la quantité maximale d'ingrédients, correspondant à la capacité de la cuve. En remplissant la cuve au-dessus de sa capacité vous pouvez entraîner la fuite et en conséquence les dommages à l'appareil.

IMPORTANT: Assurez-vous que le bouton de contrôle de vitesse (7) est réglé sur la position „1”.

1. Placez les ingrédients appropriés dans la cuve (2).

2. Déplacez le levier de levage / descente de la cuve (12) vers le haut (2) jusqu'à ce que la cuve (2) se trouve dans la position correcte.
3. Tournez le couvercle de la cuve (6) dans le sens antihoraire jusqu'à ce qu'il se bloque.

Attention: L'appareil ne démarre pas si le couvercle de la cuve (6) est ouvert / n'a pas été correctement bloqué (2) ou s'il se trouve dans la position basse.

e) Réglez la minuterie et la vitesse, puis démarrez l'appareil

1. L'appareil peut fonctionner avec la minuterie réglée (temps de travail) ou sans la minuterie.

a) Fonctionnement avec la minuterie:

Appuyez sur le bouton Time+ (8a) ou Time- (8b), pour augmenter ou réduire la valeur du temps. Pour confirmer, appuyez sur le bouton rouge ON/OFF (11).

L'afficheur (10) affiche le temps réglé et le point commence à clignoter.



b) Fonctionnement sans la minuterie:

L'appareil est désactivé automatiquement après 10 minutes (le temps de défaut déterminé par la minuterie).

Attention: i) Le temps maximal de travail (réglage de la minuterie) est de 60 minutes. Le temps de défaut déterminé et de 10 minutes.

ii) Appuyez sur et maintenez le bouton Time+ (8a) ou Time- (8b) pour modifier rapidement la valeur du temps réglé.

2. Ensuite sélectionnez la vitesse appropriée à l'aide du bouton de contrôle de vitesse (7). Il y a trois vitesses possibles : faible (1), moyenne (2) et élevée (3).

3. Ensuite appuyez sur l'interrupteur ON/OFF (11) qui se trouve sur le panneau de commande (9), pour démarrer l'appareil. Appuyez encore une fois sur le bouton ON/OFF, pour désactiver l'appareil. L'appareil commence à mélanger dans le sens horaire.

4. ATTENTION ! Avant de changer de vitesse, d'abord arrêtez TOUJOURS l'appareil. La modification de la vitesse sans arrêter l'appareil peut endommager la structure interne de l'appareil.

5. Pour changer de vitesse pendant le fonctionnement :

- Appuyez sur le bouton rouge ON/OFF (11) sur le panneau de commande (9), pour arrêter l'appareil.
- Sélectionnez la vitesse de mélange appropriée à l'aide du bouton de contrôle de vitesse (7).
- Appuyez sur le bouton rouge ON/OFF (11) sur le panneau de commande (9), pour redémarrer l'appareil.

Vitesse de mélange

Type d'ingrédient

1 (faible)

lourd: Mélanger la pâte pour la pizza, le pain, les pâtes

2 (moyenne)

moyennement lourd: Le deuxième degré de mélange, par ex. la pâte pour les pâtisseries etc.

3 (élevée)

léger: Monter de la crème, des blancs d'œufs, les meringues.

IMPORTANT : utilisez toujours les accessoires recommandés et les réglages de vitesse conformément au tableau de capacités.

ATTENTION : En versant les ingrédients dans la cuve (2) faite attention à la poussière et à la farine qui échappent de l'emballage ouvert.

Si nécessaire, utilisez les lunettes de protection.

Réinitialisez le fusible thermique (la protection contre la surchauffe)

Rappelez-vous que le bouton RAZ du fusible thermique (14) se trouve à l'arrière de l'appareil.

- Tout d'abord, débranchez l'appareil de la source d'alimentation.
- Laissez refroidir l'appareil complètement.

- Appuyez sur le bouton RAZ (14) du fusible thermique (la protection contre la surchauffe).
- Ensuite branchez l'appareil à la source d'alimentation et activez-le.

FR

Tableau de capacité déterminant la quantité maximale d'ingrédients

Le tableau ci-dessous n'est qu'une référence et détermine la quantité maximale d'ingrédients qui peut être utilisée pour préparer divers plats. Il y a

plusieurs facteurs variables tels que le type de farine utilisé, la température de l'eau etc.

Produit	Accessoire	Quantité maximale	
Blanc d'œuf	Fouet	700g	
Purée de pommes de terre	Palette	1,500g	
Meringue (quantité d'eau)	Fouet	1 litre	
Pâte pour les gaufres ou les crêpes	Palette	2 litres	
Crème fouettée	Fouet	3 litres	
Pâte pour la pizza (densité moyenne, 50% de l'eau)	Batteur crochet, vitesse 1	1,500g	
Pâte pour la pizza (dense, 60% de l'eau)	Batteur crochet, vitesse 1	2,000g	
Gâteau de Savoie	Fouet, vitesse 1	1,000g	
Pâte pour le gâteau	Palette, vitesse 1	1,500g	
Pâte pour le pain, les petits pains (légère/densité moyenne, dense, 60% de l'eau)	Batteur crochet, vitesse 1	Eau 500 g	Farine 800 g



Nettoyage et entretien

Attention : Avant le nettoyage et l'entretien de l'appareil, débranchez l'appareil de la source d'alimentation en retirant la fiche de la prise électrique et attendez jusqu'à ce que l'appareil refroidisse complètement.

Nettoyage

- Avant le nettoyage de l'appareil, débranchez toujours tous les accessoires, sinon ils peuvent bloquer sur l'arbre et il sera difficile de les retirer.
- Après chaque utilisation nettoyez soigneusement l'appareil et les accessoires et assurez-vous que tous les restes de nourriture ont été supprimés.
- N'immergez jamais l'appareil dans l'eau ou d'autres liquides.
- Nettoyez les surfaces de l'appareil avec un chiffon ou une éponge humide avec une petite quantité de solution d'un détergent doux
- N'utilisez jamais pour le nettoyage des parties internes et externes des éponges abrasives ou des détergents abrasives ou des éponges en laine d'acier ou des instruments métalliques.
- **NE NETTOYEZ PAS** l'appareil avec de l'eau ou avec un fort courant d'eau. Le lavage de l'appareil avec de l'eau peut provoquer la pénétration de l'eau dans des parties électriques et provoquer le choc électrique.
- Les parties de l'appareil ne peuvent pas être lavées dans le lave-vaisselle.

La méthode de nettoyage de l'appareil recommandée:

Parties	Nettoyage	Fréquence
Cuve	Nettoyez et désinfectez à l'aide d'un chiffon ou une éponge humide avec une petite quantité de solution de détergent doux, puis séchez soigneusement.	Nettoyez après chaque utilisation.
Accessoires (bateur crochet, palette, fouet)	Lavez manuellement avec une solution de détergent doux, nettoyez, désinfectez, puis séchez soigneusement.	Nettoyez après chaque utilisation.
Couvercle de la cuve	Lavez manuellement et désinfectez à l'aide d'un chiffon ou une éponge humide avec une petite quantité de solution de détergent doux, puis séchez soigneusement.	Nettoyez après chaque utilisation.
Surface extérieure	Nettoyez avec une solution de détergent doux, lavez, désinfectez et séchez soigneusement. N'utilisez pas le jet d'eau.	Deux fois par semaine.
Arbre du mécanisme planétaire	Nettoyez avec une solution de détergent doux, lavez, désinfectez et séchez soigneusement.	Nettoyez après chaque utilisation.

Stockage

- Avant de la mise de l'appareil en stock, assurez-vous toujours que l'appareil a été débranché de la prise électrique et a complètement refroidi.
- Tenez l'appareil dans un endroit frais, propre et sec.

Dépannage

Si l'appareil ne fonctionne pas correctement, lisez les instructions dans le tableau ci-dessous pour trouver une bonne solution. Si vous ne pouvez pas résoudre le problème, contactez votre revendeur. **NE réparez JAMAIS l'appareil vous-même.**

Problème	Cause possible	Solution possible
L'appareil ne démarre pas	Le couvercle de la cuve (6) n'est pas dans la bonne position (verrouillée).	Tournez le couvercle de la cuve (6) à droite, pour qu'il se trouve dans la bonne position (verrouillée).
	La cuve (2) n'a pas été assez soulevée et ne se trouve pas dans une bonne position.	Soulevez la cuve (2) à la position correcte du levier (12).
	La fiche n'est pas correctement connectée à la source d'alimentation	Vérifiez que la fiche est correctement connectée à la source d'alimentation.
L'appareil s'arrête pendant le fonctionnement.	La protection interne contre la surchauffe a été activée.	Eteignez l'appareil à l'aide de l'interrupteur (11) et appuyez sur le bouton RAZ (14) à l'arrière de l'appareil.
	La courroie de l'engrenage détruite ou endommagée.	Contactez votre fournisseur.
L'appareil est trop bruyant.	L'appareil n'a pas été placé sur une surface plane.	Réglez la surface de manière horizontale ou déplacez l'appareil sur une autre surface plane et horizontale.
	La cuve (2) n'a pas été correctement placée sur le support.	Assurez-vous que la cuve (2) a été correctement positionnée dans le support (15) avec les éléments de blocage (3) correctement placés.
	Les accessoires n'ont pas été correctement installés.	Retirez les accessoires et réinstallez-les correctement.
	Trop d'ingrédients dans la cuve.	Réduisez la quantité d'ingrédients.
	La courroie de l'engrenage détruite ou endommagée.	Contactez votre fournisseur.
	L'engrenage planétaire doit être graissé.	
L'installation des accessoires dans l'arbre planétaire est difficile.	L'arbre planétaire n'est pas suffisamment lubrifié et/ou il doit être nettoyé.	Nettoyez l'arbre avec un chiffon doux et lubrifiez-le en utilisant de l'huile minérale ou de la graisse.
Le levier de levage/de descente de la cuve (12) se bloque.	Une quantité insuffisante de graisse sur les parties latérales de la cuve.	Lubrifiez les parties latérales de la cuve en utilisant de l'huile minérale ou de la graisse.

FR

Caractéristiques techniques

Numéro de produit: 222829

Tension et fréquence: 220- 230V~ 50/60Hz

Puissance nominale: 650W

Classe de protection: classe I

Classe de résistance à l'eau: IP21

Capacité maximale: 7 litres (800 g de farine + 500 g d'eau)

Vitesse de rotation (tours/min): Palette (250) ; batteur crochet (128) ; fouet (540)

Dimensions: 240x420x(H)425mm

Poids net: env. 21kg

Niveau de bruit: < 70 dB (A)

Remarque : Les caractéristiques techniques peuvent être modifiées sans préavis.



Dessin d'assemblage et liste de pièces

- Le dessin d'assemblage et la liste de pièces se composent de 4 parties identiques :
- Corps principal de l'appareil (Fig. 1) ;
- Unité de levage de la cuve (Fig. 2) ;
- Couvrete de la cuve et l'arbre de direction (Fig. 4).

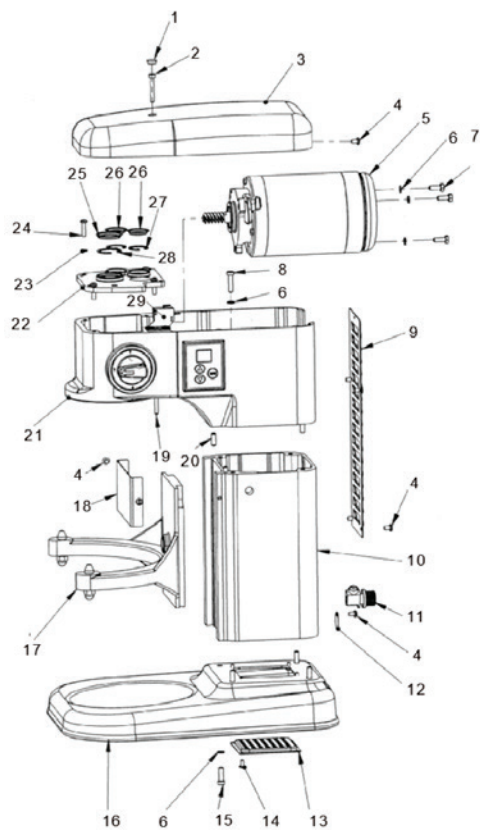


Fig. 1 Corps principal de l'appareil

Liste de pièces sur la Fig. 1

Pièce n°	Dénomination d'une pièce	Quantité
1	Bouchon de la vis	1
2	Vis supérieure du couvercle	1
3	Couvercle supérieur	1
4	Vis M5x8	10
5	Unité du moteur	1
6	Rondelle élastique	7
7	Vis M6x16	3
8	Vis M6x20	4
9	Couvercle arrière	1
10	Montant	1
11	Connection du câble	1
12	Mise à la terre	1
13	Couvercle des orifices de ventilation	1
14	Vis M4x8	4
15	Vis M6x20	4
16	Couvercle de la base	1
17	Support de la cuve	1
18	Couvercle du récipient déplaçable	1
19	Montant de fixation	1
20	Axe 6x18	1
21	Corps principal	1
22	Couvercle du Roulement	1
23	Rondelle élastique	4
24	Vis M5x20	6
25	Couvercle de l'axe central	1
26	Couvercle de l'axe de l'engrenage	2
27	Rondelle Ø26	2
28	Rondelle Ø32	2
29	Plaque du couvercle de l'interrupteur	1

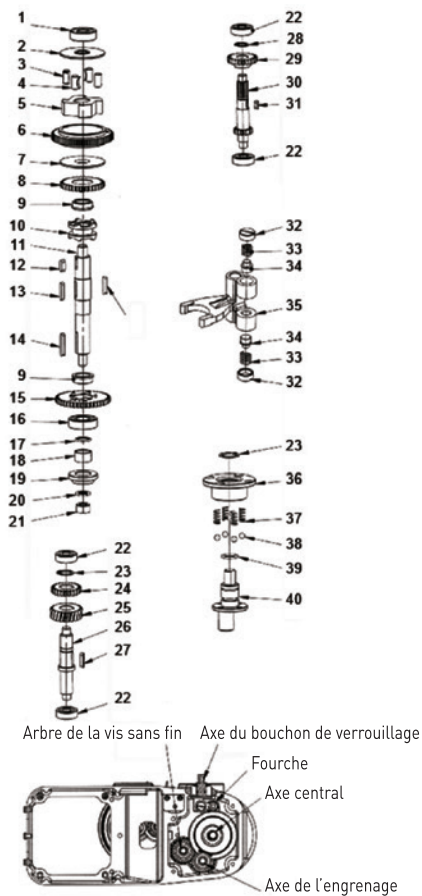


Fig. 2 : Unité de l'engrenage

Liste de pièces sur la Fig. 2

Pièce n°	Dénomination d'une pièce	Quantité
1	Roulement	1
2	Bouchon	1
3	Rouleaux	4
4	Ressorts	4
5	Élément de couplage	1
6	Anneau de l'engrenage	1
7	Anneau séparant	1
8	Roue dentée	1
9	Bague du Roulement	2
10	Raccord	1
11	Axe central	1
12	Clavette 5x14	1
13	Clavette 4x22	2
14	Clavette 4x28	1
15	Roue dentée	1
16	Roulement	1
17	Bague de fixation 16x1,8	1
18	Manchon de l'axe central	1
19	Grand manchon de la roue dentée	1
20	Bague du ressort Ø10	1
21	Ecrou [M10]	1
22	Roulement	4
23	Bague de verrouillage Ø16	2
24	Engrenage	1
25	Engrenage à vis	1
26	Axe de l'engrenage à vis	1
27	Clavette 4x18	1
28	Bague du ressort Ø13	1
29	Engrenage à haute vitesse	1
30	Axe de l'engrenage	1
31	Clavette 4x10	1
32	Ecrou de la fourche	2
33	Ressort de la fourche	2
34	Petits axes de la fourche	2
35	Support rigide	1
36	Bouchon de verrouillage	1
37	Ressorts	4
38	Bille an acier	4
39	Bague d'étanchéité	1
40	Axe d'un bouchon de verrouillage	1



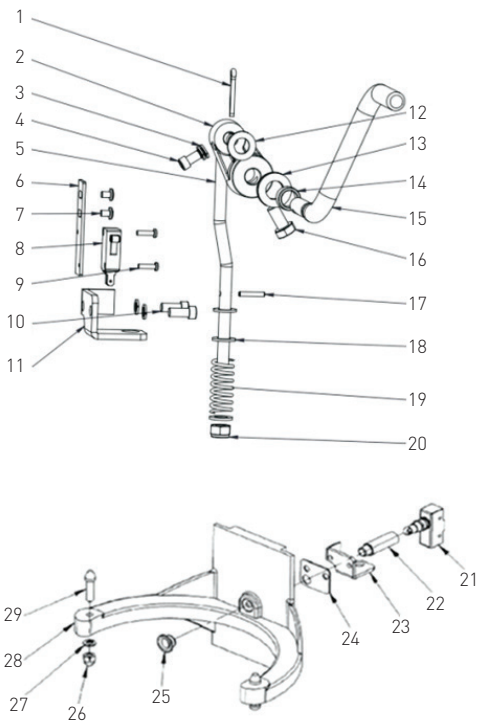
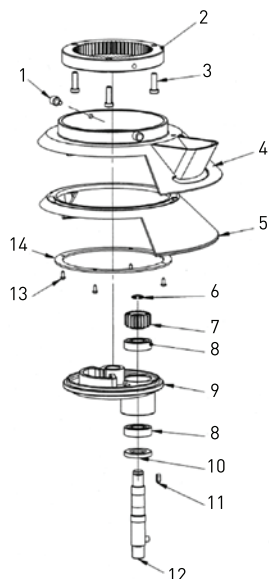


Fig. 3 : Unité de levage de la cuve

Liste de pièces sur la Fig. 3

Pièce n°	Dénomination d'une pièce	Quantité
1	Axe 3X16	1
2	Unité fixant le levier	1
3	Rondelle élastique 6	1
4	Vis M6x10	1
5	Tige de levage	1
6	Support de micro-interrupteur	1
7	Vis M4x6	2
8	Micro interrupteur	1
9	Vis M3x12	2
10	Vis M6x14	2
11	Plaque de support de la tige de levage	1
12	Rondelle plate 10	1
13	Rondelle plate 12	2
14	Gaine	1
15	Poignée	1
16	Vis M8x16	1
17	Elastique cylindrique (axe 3X18)	1
18	Rondelle plate 8	3
19	Ressort	1
20	Ecrou (M8)	1
21	Micro interrupteur	1
22	Connection de l'interrupteur	1
23	Support de l'interrupteur	1
24	Guidage de l'interrupteur	1
25	Bouchon du levier	1
26	Ecrou	2
27	Rondelle élastique	2
28	Bras du support de la cuve	1
29	Tiges de verrouillage	2

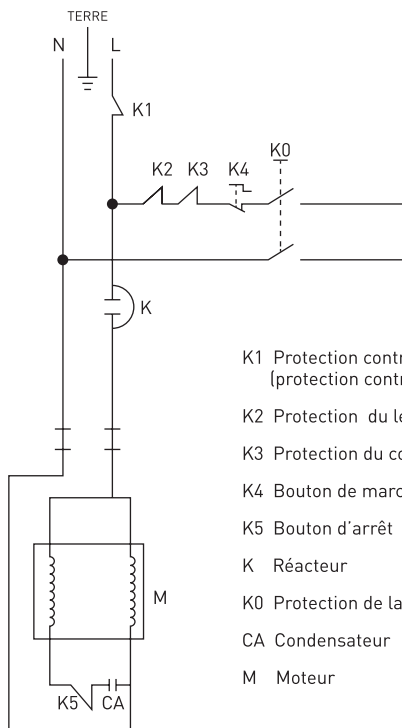


Liste de pièces sur la Fig. 4

Pièce n°	Dénomination d'une pièce	Quantité
1	Insert	2
2	Engrenage interne	1
3	Vis M6x20	4
4	Partie extérieure du couvercle de la cuve	1
5	Partie intérieure du couvercle de la cuve	1
6	Rondelle élastique Ø12	1
7	Engrenage planétaire	1
8	Roulement	1
9	Plaque rotative	1
10	Bague d'étanchéité à l'huile	1
11	Axe 4x10	1
12	Axe du mélangeur	1
13	Vis	4
14	Bague du couvercle de la cuve	1

Fig. 4 : Couvercle de la cuve et l'arbre de direction

Diagramme du circuit électrique



- K1 Protection contre la surcharge (protection contre la surchauffe)
- K2 Protection du levier de levage de la cuve
- K3 Protection du couvercle de la cuve
- K4 Bouton de marche
- K5 Bouton d'arrêt
- K Réacteur
- K0 Protection de la cuve
- CA Condensateur
- M Moteur



Garantie

Tout vice ou toute défaillance entraînant un dysfonctionnement de l'appareil qui se déclare dans les 12 mois suivant la date de l'achat sera éliminé à titre gratuit ou l'appareil sera remplacé par un appareil nouveau si le premier a été dûment exploité et entretenu conformément aux termes de la notice d'exploitation et s'il n'a pas été indûment exploité ou de manière non conforme à sa destination. La présente stipulation ne porte pas de préjudice aux autres droits de l'utilisateur prévus par les dispositions légales. Dans le cas où l'appareil est donné à la réparation ou doit être remplacé

dans le cadre de la garantie, il y a lieu de spécifier le lieu et la date de l'achat de l'appareil et produire un justificatif nécessaire (par ex. facture ou ticket de caisse).

Conformément à notre politique d'amélioration permanente de nos produits, nous nous réservons le droit d'introduire sans avertissement préalable des modifications à l'appareil, à l'emballage et aux caractéristiques techniques précisées dans la documentation.

Élimination et protection de l'environnement


En cas de retrait du produit de l'exploitation l'appareil ne peut pas être jeté avec d'autres déchets ménagers. L'utilisateur est responsable de la remise de l'équipement au point de collecte approprié pour l'équipement usagé. Le non-respect des dispositions ci-dessus peut entraîner les pénalités conformément à la réglementation applicable en matière d'élimination des déchets. La collecte sélective et le recyclage des équipements usagés contribuent à la conservation des ressources na-

tuelles et assurent un recyclage sans danger pour la santé et l'environnement. Pour plus d'informations sur les endroits de collecte des équipements usagés pour le recyclage, contactez la société de collecte des déchets locale. Le producteur et l'importateur ne sont pas responsables du recyclage et du traitement des déchets d'une manière respectueuse de l'environnement directement et dans le système public.

Gentile cliente,

grazie per aver acquistato questo apparecchio HENDI. Ti invitiamo a leggere queste istruzioni per l'uso con attenzione prima di collegare l'apparecchio al fine di evitare danni dovuti a uso improprio. Ti invitiamo inoltre a prestare particolare attenzione alle precauzioni di sicurezza.

Precauzioni di sicurezza


- L'uso scorretto e improprio dell'apparecchio possono danneggiare seriamente l'apparecchio e ferire gli utenti.
- Questo apparecchio non è destinato all'uso domestico.
- L'apparecchio può essere utilizzato solo per lo scopo per cui è stato concepito e progettato. Il produttore non è responsabile di eventuali danni provocati da uso scorretto ed improprio.
- Tenere l'apparecchio e la spina elettrica lontani da acqua ed altri liquidi. Nel caso improbabile che l'apparecchio cada in acqua, staccare immediatamente la spina dalla presa e fare ispezionare l'apparecchio da un tecnico certificato. L'inosservanza delle presenti istruzioni può dare luogo a situazioni pericolose
- Non provare mai ad aprire l'involucro dell'apparecchio da soli.
- Non inserire oggetti nell'involucro dell'apparecchio.
- Non toccare la presa con le mani bagnate o umide.
-  **Pericoli di scosse elettriche!** Non tentare di riparare l'apparecchio da solo. Eventuali difetti e malfunzionamenti devono essere rimossi soli da personale qualificato.
- **Non usare l'apparecchio danneggiato!** L'apparecchio difettoso deve essere immediatamente scollegato dalla rete e contattare il rivenditore.
- **Attenzione:** Non immergere parti elettriche in acqua o altri liquidi. Non mettere l'apparecchio sotto l'acqua corrente.
- Controllare regolarmente se la spina e il cavo di alimentazione non sono danneggiati. La spina o il cavo danneggiati trasmettere al servizio o alla persona qualificare per riparare, per evitare eventuali pericoli e lesioni.
- Assicurarsi che il cavo di alimentazione non è in contatto con oggetti appuntiti o caldi. Tenere il cavo lontano da fiamme libere. Per scollegare la spina dalla presa, tirare sempre la spina, mai il cavo.
- Proteggere il cavo di alimentazione (o di estensione) per la sconnessione accidentale dalla presa. Disporre il cavo in modo per evitare lo slittamento accidentale.
- Sorvegliare l'apparecchio continuamente durante l'uso.
- **Attenzione!** Se la spina è inserita nella presa, l'apparecchio è considerato come collegato.
- Prima di rimuovere la spina dalla presa, spegnere l'apparecchio!
- Non trasportare l'apparecchio tenendo il cavo di alimentazione.
- Non utilizzare qualsiasi accessorio che non è stato fornito con l'apparecchio.
- L'apparecchio deve essere collegato ad una presa con tensione e frequenza indicate sulla targhetta.

IT



- Inserire la spina nella presa situata in un punto facilmente accessibile in modo che in caso di guasto sia possibile scollegare immediatamente l'apparecchio. Per spegnere completamente l'apparecchio, scollegarlo dalla presa di corrente. Per questo staccare la spina che si trova sull'estremità del cavo di alimentazione.
- Prima di scollegare la spina, ricordarsi sempre di spegnere l'apparecchio!
- Non usare gli accessori non raccomandati dal produttore. L'uso di accessori non raccomandati può creare i rischi per l'utente e provocare i danni all'apparecchio. Usare unicamente solo pezzi ed accessori originali.
- L'installazione elettrica deve soddisfare le normative nazionali e locali applicabili. Questo apparecchio non è destinato all'uso da parte di persone (inclusi i bambini) con capacità fisiche, sensoriali o mentali ridotte, o senza esperienza e conoscenza.
- Non permettere ai bambini di utilizzare l'apparecchio.
- Tenere l'apparecchio con il cavo fuori dalla portata dei bambini.
- Non permettere ai bambini di giocare con l'apparecchio.
- Scollegare l'apparecchio dalla rete se esso deve essere lasciato incustodito e prima del montaggio, dello smontaggio o della pulizia.
- Non lasciare l'apparecchio incustodito durante l'utilizzazione.

Norme speciali di sicurezza

- Utilizzare l'apparecchio solo in conformità con le presenti istruzioni
- L'apparecchio deve essere installato o utilizzato unicamente da personale di cucina addestrato in punti di industria alimentare per esempio quei che forniscono i servizi di catering, in pasticcerie, pizzerie, e altri punti di industria di pasticceria.
- Tutte le operazioni di manutenzione, di installazione e la riparazione dell'apparecchio devono essere eseguite da un personale qualificato o autorizzato.
-  Sul retro dell'apparecchio c'è una presa per il collegamento equipotenziale trasversale di un altro dispositivo.
- Non posizionare l'apparecchio sull'oggetto che emette calore (cucina a gas, elettrica grill ecc.). Tenere l'apparecchio lontano da qualsiasi superfici calde o fiamme libere. Posizionare l'apparecchio su una superficie stabile, pulita, asciutta e resistente alle alte temperature.
- Non usare vicino all'apparecchio i materiali infiammabili e esplosivi, carte di pagamento, dischi magnetici o radio.
- Se necessario, durante il funzionamento utilizzare indumenti protettivi, maschera o occhiali.
- L'apparecchio non è progettato per funzionare tramite un timer esterno o un sistema di telecomando separato.
- Non intervenire sugli elementi di sicurezza.
- **AVVERTENZA:** Non ostruire le aperture di ventilazione.
- **AVVERTENZA:** Ricordarsi **SEMPRE** di spegnere e scollegare l'apparecchio dalla presa di corrente prima della pulizia, manutenzione o sostituzione di accessori.

- Assicurare almeno 30 cm di spazio intorno all'apparecchio per garantire una ventilazione adeguata.
- **Attenzione!** Far passare il cavo di alimentazione per evitare trazione accidentale o contatto con la piastra di riscaldamento.
- **ATTENZIONE!** Ricordarsi SEMPRE di non indossare abiti larghi, non toccare le parti in movimento con le mani e legare i capelli.
- Durante il funzionamento dell'apparecchio non mettere le mani sotto la copertura della ciotola.
- Non mettere nella ciotola troppi ingredienti per evitare il versamento del contenuto. La ciotola può contenere fino a 10 litri (modello 222836, 222966) o 20 litri (modello 222843, 222973).
- Non lavare l'apparecchio con acqua o un forte getto di acqua. La pulizia dell'apparecchio con l'acqua può causare la penetrazione nei componenti elettrici e causare una scossa elettrica. Le parti dell'apparecchio non possono essere lavate in lavastoviglie.
- Non pulire l'apparecchio o stoccarlo in deposito prima di raffreddamento completo.
- Mantenere la prudenza durante il trasferimento dell'apparecchio a causa del suo peso. L'apparecchio deve essere trasportato da due persone o spostato sul carrello. Spostare l'apparecchio lentamente, con attenzione non inclinandolo sotto angolo superiore a 45°.

Destinazione del dispositivo

- Questo apparecchio è destinato all'uso professionale e può essere utilizzato solo da personale qualificato.
- Il dispositivo è destinato all'uso commerciale e serve a mescolare, impastare, emulsionare / frullare i prodotti alimentari in punti di industria

alimentare e nei negozi. L'uso del dispositivo per qualsiasi altro scopo può causare danni o lesioni.

- L'uso del dispositivo per qualsiasi altro scopo sarà considerato un uso improprio. L'utente sarà l'unico responsabile per l'uso scorretto del dispositivo.

Messa a terra

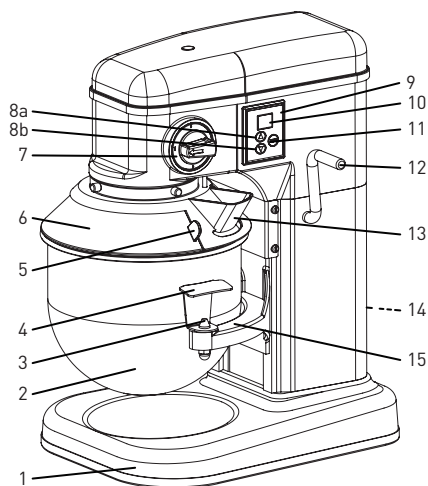
Il mixer planetario è l'apparecchio della I classe di protezione e deve esser messa a terra. La messa a terra riduce il rischio di scosse elettriche grazie al cavo evacuante il corrente elettrico. L'apparecchio

è dotato di un cavo con una messa a terra. Non inserire la spina nella presa di corrente se l'apparecchio non è stato correttamente installato o messo a terra.

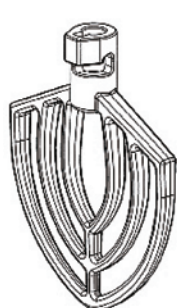


Elementi principali dell'apparecchio

1. Base dell'apparecchio
2. Ciotola
3. Perni di bloccaggio (x 2)
4. Maniglie della ciotola (x 2)
5. Maniglia della copertura della ciotola
6. Copertura della ciotola
7. Manopola di controllo della velocità
- 8a. Timer (per aumentare il valore del tempo)
- 8b. Timer (per aumentare il valore del tempo)
9. Pannello di controllo
10. Display del timer
11. Interruttore (ON/OFF)
12. Leva di sollevamento / abbassamento della ciotola
13. Imboccatura integrata per gli ingredienti
14. Pulsante RESET (sul retro dell'apparecchio)
15. Supporto della ciotola



Accessori



Miscelatore piatto



Impastatore



Frusta

Prima dell'installazione

- Svitare con cautela le viti di fissaggio dell'apparecchio sull'elemento di supporto e se necessario, con una chiave inglese
- Rimuovere e eliminare l'imballaggio e le protezioni.
- Controllare l'apparecchio e gli accessori per la completezza ed eventuali danni durante il trasporto. In caso di consegna incompleta (ad es.

accessori che mancano) o di danni contattare il fornitore (vedere ==> Garanzia).

- Pulire tutte le parti secondo le istruzioni (Vedere==> Pulizia e manutenzione).
- Verificare che il prodotto è completamente asciutto.
- Conservare la confezione se si intende riporre l'elettrodomestico in futuro.

Installazione

- Leggere attentamente le istruzioni prima dell'installazione e dell'utilizzazione l'apparecchio.
- Assicurarsi che l'apparecchio è stato posizionato su una superficie asciutta, resistente, in un luogo che permette un facile accesso all'apparecchio.
- Controllare se le caratteristiche dell'apparecchio sulla targhetta corrispondono ai parametri della presa di corrente a cui l'apparecchio deve essere collegato.
- Intorno al mixer conservare abbastanza spazio

perché l'operatore possa facilmente utilizzare l'apparecchio. Intorno all'apparecchio non si possono trovare gli oggetti come pelatrici, coltelli ecc.

- Durante il funzionamento non indossare abiti larghi, per esempio scarpe ecc. legare i capelli e non mettere le parti del corpo vicino ai componenti in movimento.

ATTENZIONE! Non staccare mai l'interruttore di sicurezza.

Trasporto e funzionamento dell'apparecchio

- Non spostare l'apparecchio durante il suo funzionamento.
- Se si vuole spostare l'apparecchio in un altro luogo, staccare la spina dalla presa di corrente, togliere la ciotola (2), scollegare gli accessori (frusta, miscelatore piatto o impastatrice).

- Durante lo spostamento tenere la base dell'apparecchio (1).
- A causa del suo peso l'apparecchio deve essere trasportato da due persone o spostato sul carrello.

Elementi di sicurezza particolari

Nota: L'apparecchio è dotato di tre elementi di sicurezza. L'apparecchio può essere avviato solo quando tutti i dispositivi di sicurezza sono nelle posizioni corrette.

- Protezione della ciotola: L'apparecchio può essere avviato solo quando la ciotola è stata messa correttamente sul supporto.
- Protezione della copertura della ciotola (5): L'apparecchio può essere avviato solo quando la copertura della ciotola (5) è stata bene fissata e bloccata.

- Protezione della leva (12): L'apparecchio può essere avviato solo quando la leva (12) si trova nella posizione superiore.

Durante il funzionamento non indossare abiti larghi, per esempio scarpe ecc. legare i capelli e non mettere le parti del corpo vicino ai componenti in movimento.

Funzionamento

Per evitare lesioni del corpo:

- NON utilizzare MAI l'apparecchio prima di leggere le istruzioni per l'uso.
- Ricordarsi SEMPRE di spegnere e scollegare l'apparecchio dalla presa di corrente prima della pulizia, la riparazione, la manutenzione o la sostituzione degli accessori.

- Ricordarsi SEMPRE di non indossare abiti larghi, non toccare le parti in movimento con le mani e legare i capelli.

a) Copertura della ciotola

Nota: Se la copertura della ciotola (6) è aperta, non è stata ben fissata e chiusa, l'apparecchio non si avvia.

1. Per aprire la copertura della ciotola (6), tenere la maniglia della copertura (5) e ruotare in senso orario. Per chiudere la copertura della ciotola (6), tenere la maniglia della copertura (5) e ruotare in senso antiorario.

2. Quando la maniglia della copertura della ciotola (5) si trova in linea con il lato destro dell'apparecchio, la copertura della ciotola (6) è in una buona posizione e si può iniziare il lavoro.



b) Fissare la ciotola (2) dell'apparecchio

Nota: Fissare la ciotola dell'apparecchio (2) PRIMA di installare tutti gli accessori. Utilizzare unicamente la ciotola (2) fornita con l'apparecchio.

1. Abbassare il supporto della ciotola utilizzando la leva (12), dirigendola verso il basso fino a quando la ciotola si ferma. Il supporto della ciotola (15) deve essere in una posizione inferiore.
2. Posizionare con cautela e lentamente la ciotola

(2) sul supporto utilizzando le maniglie (4) che si trovano su entrambi i lati e poi

- i) Posizionare il perno di bloccaggio nel foro che si trova al centro del supporto della ciotola (15) e
- ii) Utilizzando i perni posizionare la ciotola in una buona posizione rispetto al supporto (15).



c) Installare gli accessori adeguati (miscelatore piatto, impastatrice o frusta)

Nota: È più confortabile installare gli accessori prima di mettere gli ingredienti nella ciotola (2).

1. Ruotare delicatamente la ciotola (6) in senso orario, per spostarla nella posizione di apertura
2. **NOTA!** La forza eccessiva durante l'apertura o la chiusura della copertura della ciotola (6) può danneggiare il microinterruttore dell'elemento di sicurezza. Fare attenzione durante l'apertura e la chiusura della copertura della ciotola (6).

3. Inserire lentamente gli accessori (miscelatore piatto, impastatrice o frusta) nell'albero del mixer planetario inserendo il perno dell'albero attraverso il foro nell'accessorio.
4. Ruotare l'accessorio per bloccarlo nell'albero del mixer planetario.

d) Versamento e miscelazione degli ingredienti

Nota: Seguire le istruzioni riportate nella tabella che definisce la quantità massima di ingredienti corrispondente alla capacità della ciotola. Se si riempisce la ciotola al di sopra della sua capacità, la perdita può essere provocata e in conseguenza i danni all'apparecchio.

INFORMAZIONI IMPORTANTI: Assicurarsi che la manopola di controllo della velocità (7) è posizionata nella posizione „1”.

1. Mettere gli ingredienti nella ciotola (2).

2. Spostare la leva di sollevamento / abbassamento della ciotola (12) verso la posizione superiore fino a quando la ciotola (2) si trova nella posizione corretta.
3. Ruotare la copertura della ciotola (6) in senso antiorario, fino a quando si blocca.

Nota: L'apparecchio non si avvia se la copertura della ciotola (6) è aperta / non è stata adeguatamente bloccata o se la ciotola (2) non si trova nella posizione inferiore.

e) Impostare il timer e la velocità e avviare l'apparecchio

1. L'apparecchio può funzionare con il timer impostato (tempo di lavoro) o senza il timer.

a) Funzionamento con il timer:

Premere il pulsante Time+ (8a) o Time- (8b), per aumentare o ridurre il valore del tempo. Per confermare, premere il pulsante rosso ON/OFF (11). Il display (10) visualizza il tempo impostato e il punto lampeggerà.



b) Funzionamento senza il timer:

L'apparecchio si spegne automaticamente dopo 10 minuti (tempo predefinito impostato dal timer).

Nota: i) Il tempo massimo di lavoro (impostazione dal timer) è di 60 minuti. Il tempo di lavoro predefinito è di 10 minuti.

ii) Premere e tenere premuto il pulsante Time+ (8a) o Time- (8b) per cambiare più rapidamente il valore del tempo impostato.

2. Poi selezionare la velocità di miscelazione utilizzando la manopola di controllo della velocità (7). Ci sono tre velocità possibili: bassa (1), media (2) e alta (3).

3. Poi premere il pulsante rosso ON/OFF (11) sul pannello di controllo (9), per avviare l'apparecchio. Premere di nuovo il pulsante ON/OFF, per spegnerlo. L'apparecchio inizierà la miscelazione in senso orario.

4. **NOTA!** Prima di cambiare la velocità spegnere SEMPRE l'apparecchio. La modifica della velocità senza spegnere l'apparecchio può danneggiare la struttura interna dell'apparecchio.

5. Per cambiare la velocità durante il funzionamento:

- a) Premere il pulsante rosso ON/OFF (11) sul pannello di controllo (9), per spegnere l'apparecchio.
- b) Selezionare la velocità di miscelazione appropriata utilizzando la manopola di controllo della velocità (7).
- c) Poi premere il pulsante rosso ON/OFF (11) sul pannello di controllo (9), per riavviare l'apparecchio.

Velocità di miscelazione	Tipo di ingrediente
1 (bassa)	lardo: miscelazione dell'impasto per pizza, pane, pasta
2 (media)	lardo medio: secondo grado di miscelazione ad es. dell'impasto per dolci.
3 (alta)	leggere: per montare la panna, albumi di uova, meringhe.

INFORMAZIONI IMPORTANTI: Utilizzare SEMPRE l'accessorio raccomandato e l'impostazione della velocità in conformità con la tabella di capacità. **NOTA:** Durante il versamento degli ingredienti (2) fare attenzione a polvere e farina che fuoriescono dagli imballaggi aperti. Se necessario, mettere gli occhiali di protezione.

Resettare il fusibile termico (protezione contro il surriscaldamento)

Ricordarsi che il pulsante RESET del fusibile termico (14) si trova nella parte posteriore dell'apparecchio.

- Prima scollegare l'apparecchio dalla presa di corrente
- Lasciare l'apparecchio raffreddare completamente.

- Premere il pulsante RESET (14) del fusibile termico (protezione contro il surriscaldamento).
- Poi collegare di nuovo l'apparecchio ad una fonte di alimentazione e premere l'interruttore.

IT

Tabella di capacità che definisce la quantità massima di ingredienti

La tabella seguente ha un carattere di riferimento e determina la quantità massima che si può utilizzare per preparare diversi tipi di cibo. Ci sono alcu-

ni fattori variabili ad es. il tipo di farina utilizzata, la temperatura di acqua ecc.

Prodotto	Accessorio	Quantità massima	
Bianco d'uovo	Frusta	700g	
Purè di patate	Miscelatore piatto	1,500g	
Meringhe (quantità di acqua)	Frusta	1 litro	
Impasto per frittelle o crepe	Miscelatore piatto	2 litri	
Panna montata	Frusta	3 litri	
Impasto per pizza (densità media, 50% dell'acqua)	Impastatore, velocità 1	1,500g	
Impasto per pizza (denso, 60% dell'acqua)	Impastatore, velocità 1	2,000g	
Pan di Spagna	Frusta, velocità 1	1,000g	
Impasto per una torta	Miscelatore piatto, velocità 1	1,500g	
Impasto per pane, perni (leggere/densità media 60% dell'acqua)	Impastatore, velocità 1	Acqua 500g	Farina 800g



Pulizia e manutenzione

Nota: Prima di pulire l'apparecchio. Scollegare l'apparecchio dalla fonte di alimentazione, aprire la porta scorrevole di vetro e aspettare fino a quando raffredda completamente.

Pulizia

- Prima della pulizia dell'apparecchio scollegare sempre gli accessori, altrimenti possono bloccare l'albero e saranno difficili da rimuovere.
- Dopo ogni utilizzo pulire accuratamente l'apparecchio e gli accessori e assicurarsi che sono stati rimossi tutti i resti di cibo.
- Non immergere tutto l'apparecchio in acqua o in altri liquidi.
- Pulire le superfici esterni dell'apparecchio con un panno umido o una spugna con una piccola quantità di una soluzione di detergente.
- Non utilizzare per la pulizia delle parti interiori e esteriori dell'apparecchio spugne abrasive, detersivi abrasivi o strumenti di lana d'acciaio o di metallo.
- **NON** lavare l'apparecchio con acqua o un forte getto di acqua. La pulizia dell'apparecchio con l'acqua può causare la penetrazione nei componenti elettrici e causare una scossa elettrica.
- Le parti dell'apparecchio non possono essere lavate in lavastoviglie.

Pulizia raccomandata dell'apparecchio:

Elemento	Pulizia	Frequenza
Ciotola	Utilizzando un panno umido o una spugna con una piccola quantità di una soluzione di detergente lavare, disinfettare e asciugare accuratamente.	Dopo ogni l'utilizzo.
Accessori (impastatrice, miscelatore piatto e Frusta)	Lavare a mano con una soluzione di detergente delicato, pulire, disinfettare, asciugare accuratamente.	Dopo ogni l'utilizzo.
Copertura della ciotola	Lavare a mano con un panno umido o una spugna con una piccola quantità di una soluzione di detergente lavare, disinfettare e asciugare accuratamente.	Dopo ogni l'utilizzo.
Superficie esterna	Lavare con un panno umido con una piccola quantità di una soluzione di detergente lavare, disinfettare e asciugare accuratamente. Non usare i getti d'acqua.	Due volte per settimana
Albero del meccanismo planetario	Lavare con un panno umido con una piccola quantità di una soluzione di detergente lavare, disinfettare e asciugare accuratamente.	Dopo ogni l'utilizzo.

Stoccaggio

- Prima di pulire l'apparecchio e posizionare l'apparecchio in un luogo lo stoccaggio, scollegarlo dalla presa elettrica e attendere fino a che raffredda completamente.
- Conservare in un luogo fresco, asciutto e pulito.



Risoluzione dei problemi

Se l'apparecchio non funziona correttamente, leggere la tabella qui sotto per trovare la soluzione corretta. Se non è possibile risolvere il problema, contattare il rivenditore. Non riparare MAI da soli l'apparecchio.

Problema	Causa possibile	Soluzione possibile
L'apparecchio non si avvia	La copertura della ciotola (6) non si trova nella posizione corretta (bloccata).	Ruotare la copertura della ciotola (6) a destra fino a che si trova nella posizione giusta (bloccata).
	La ciotola (2) non è stata sollevata abbastanza e non si trova nella posizione corretta.	Sollevare la ciotola (2) nella posizione giusta utilizzando la leva (12).
	La spina non è correttamente collegata ad una fonte di alimentazione.	Verificare che la spina è correttamente collegata alla presa di corrente.
L'apparecchio si arresta durante il funzionamento	La protezione interna contro il surriscaldamento si è attivata.	Spegnere l'apparecchio utilizzando l'interruttore RESET (14) sulla parte posteriore dell'apparecchio e premere.
	La cinghia di trasmissione è stata danneggiata o distrutta.	Contattare il fornitore.
L'apparecchio è troppo rumoroso	L'apparecchio non è posizionato su una superficie orizzontale.	Posizionare su una superficie orizzontale o spostare l'apparecchio su un'altra superficie orizzontale.
	La ciotola (2) è troppo rumorosa.	Assicurarsi che la ciotola (2) è stata correttamente posizionata sul supporto con i perni di bloccaggio (3) correttamente posizionati.
	Gli accessori non sono stati bene installati.	Rimuovere gli accessori e installarli correttamente
	Troppi ingredienti nella ciotola	Diminuire la quantità di ingredienti.
	La cinghia di trasmissione è stata danneggiata o distrutta.	Contattare il fornitore.
	La trasmissione planetaria deve essere lubrificata.	
Installazione degli accessori nell'albero planetario è difficile	L'albero planetario non è sufficientemente lubrificato e/o deve essere pulito.	Pulire l'albero con un panno umido e lubrificare l'albero con olio minerale o grasso.
Leva di sollevamento / abbassamento della ciotola (12) si blocca.	La quantità insufficiente di grasso sui lati della ciotola	Lubrificare i lati della ciotola con olio minerale o grasso.

Specifiche tecniche

Prodotto numero: 222829

Tensione e frequenza: 220- 230V- 50/60Hz

Consumo di energia: 650W

Classe di protezione: Classe I

Classe di resistenza all'acqua: IP21

Capacità massima: 7 litri (800 g di farina + 500 g di acqua)

Velocità di rotazione [giri/min]: Miscelatore piatto (250); impastatrice (128); Frusta (540)

Dimensioni: 240x420x(H)425mm

Peso netto: circa 21kg

Livello di rumore: < 70 dB (A)

Nota: Le specifiche tecniche sono soggette a modifiche senza preavviso.



Disegno complessivo e elenco di pezzi

- Disegno complessivo e elenco di pezzi si compongono di 4 parti principali:
- Corpo principale dell'apparecchio (Fig. 1);
- Unità di ingranaggio (Fig. 2);
- Unità di sollevamento della ciotola (Fig. 3);
- Copertura della ciotola e asse di rotazione (Fig. 4).

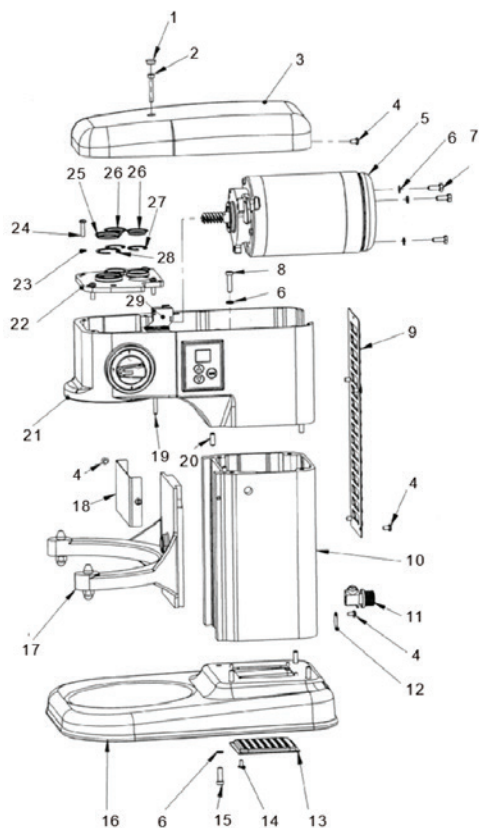


Fig. 1 Corpo principale dell'apparecchio

Elenco di pezzi dell'apparecchio sulla Fig. 1

Pezzo n.	Nome del pezzo	Quantità
1	Tappo della vite	1
2	Vite superiore del coperchio	1
3	Coperchio superiore	1
4	Viti M5x8	10
5	Unità del motore	1
6	Rondella flessibile	7
7	Vite M6x16	3
8	Vite M6x20	4
9	Coperchio posteriore	1
10	Montante	1
11	Collegamento del cavo	1
12	Messa a terra	1
13	Coperchio dei fori di ventilazione	1
14	Vite M4x8	4
15	Vite M6x20	4
16	Coperchio della base	1
17	Supporto della ciotola	1
18	Coperchio del recipiente scorrevole	1
19	Barre di collegamento	1
20	Perno 6x18	1
21	Corpo superiore	1
22	Coperchio del cuscinetto	1
23	Rondella flessibile	4
24	Vite M5x20	6
25	Coperchio dell'asse centrale	1
26	Coperchio dell'asse dell'ingranaggio	2
27	Rondella Ø26	2
28	Rondella Ø32	2
29	Piastra di coperchio dell'interruttore	1

Elenco di pezzi dell'apparecchio sulla Fig. 2

Pezzo n.	Nome del pezzo	Quantità
1	Cuscinetto	1
2	Tappo	1
3	Rulli	4
4	Molle	4
5	Elemento di accoppiamento	1
6	Anello di ingranaggio	1
7	Anello separante	1
8	Ruota dentata	1
9	Anello del cuscinetto	2
10	Raccordo	1
11	Asse centrale	1
12	Linguetta 5x14	1
13	Linguetta 4x22	2
14	Linguetta 4x28	1
15	Ruota dentata	1
16	Cuscinetto	1
17	Anello di fissaggio 16x1,8	1
18	Manicotto dell'asse centrale	1
19	Grande manicotto della ruota dentata	1
20	Anello della molle Ø10	1
21	Dado (M10)	1
22	Cuscinetto	4
23	Anello bloccante Ø16	2
24	Ingranaggio	1
25	Ingranaggio a vite senza fine	1
26	Asse dell'ingranaggio a vite senza fine	1
27	Linguetta 4x18	1
28	Anello della molle Ø13	1
29	Ingranaggio ad alta velocità	1
30	Asse dell'ingranaggio	1
31	Linguetta 4x10	1
32	Dado della forchetta	2
33	Molla della forchetta	2
34	Piccoli assi della forchetta	2
35	Supporto rigido	1
36	Tappo di bloccaggio	1
37	Molle	4
38	Sfera d'acciaio	4
39	Anello di tenuta	1
40	Asse del tappo di bloccaggio	1

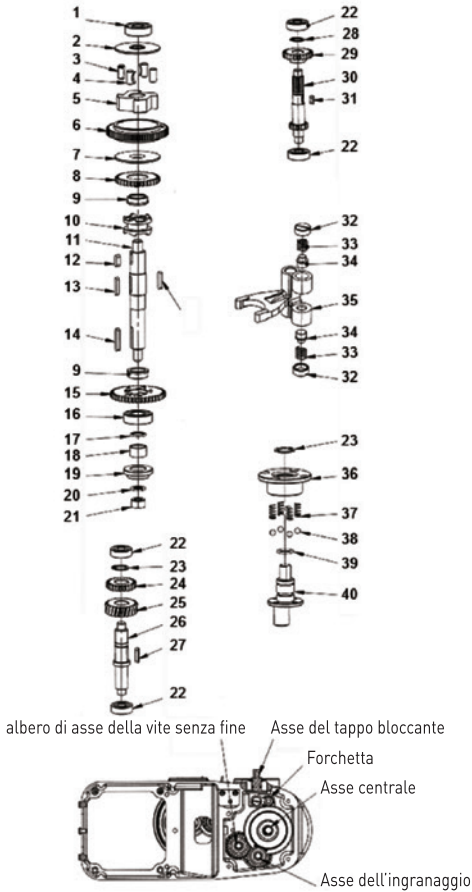


Fig. 2: Unità di ingranaggio



Elenco di pezzi dell'apparecchio sulla Fig. 3

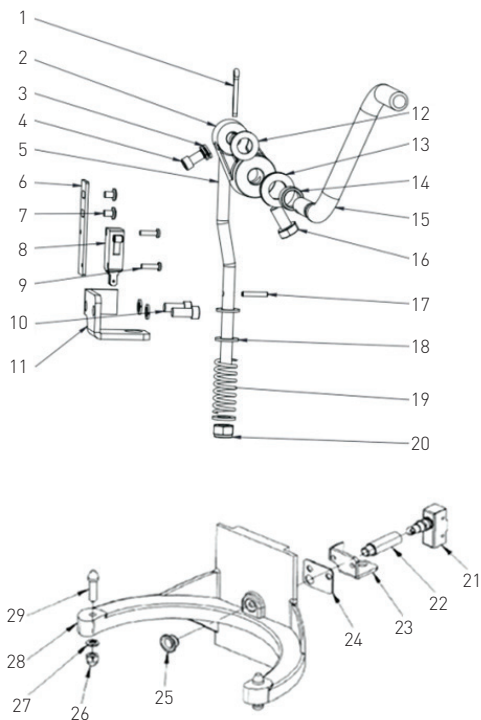
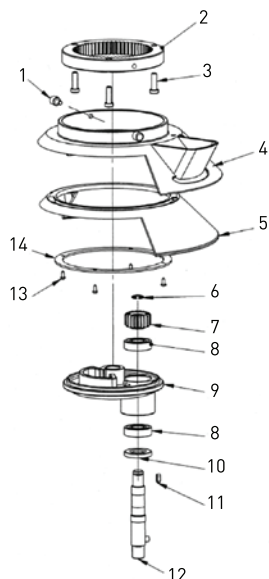


Fig. 3: Unità di sollevamento della ciotola

Pezzo n.	Nome del pezzo	Quantità
1	Perno 3X16	1
2	Unità fissante la leva	1
3	Rondella flessibile 6	1
4	Vite M6x10	1
5	Barra di sollevamento	1
6	Staffa microinterruttore	1
7	Vite M4x6	2
8	Microinterruttore	1
9	Vite M3x12	2
10	Vite M6x14	2
11	Piastra di supporto della barra di sollevamento	1
12	Rondella piatta 10	1
13	Rondella piatta 12	2
14	Manicotto	1
15	Maniglia	1
16	Vite M8x16	1
17	Elastico cilindrico (Pin 3X18)	1
18	Rondella piatta 8	3
19	Molla	1
20	Dado (M8)	1
21	Microinterruttore	1
22	Collegamento dell'interruttore	1
23	Supporto dell'interruttore	1
24	Guida dell'interruttore	1
25	Tappo della leva	1
26	Dado	2
27	Rondella flessibile	2
28	Braccio del supporto della ciotola	1
29	Perni di bloccaggio	2

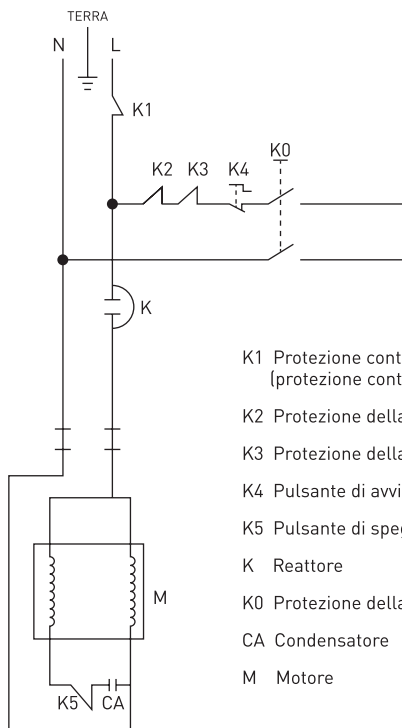


Elenco di pezzi dell'apparecchio sulla Fig. 4

Pezzo n.	Nome del pezzo	Quantità
1	Inserto	2
2	Ingranaggio interno	1
3	Vite M6x20	4
4	Lato esterno della copertura della ciotola	1
5	Lato interno della copertura della ciotola	1
6	Rondella flessibile Ø12	1
7	Ingranaggio planetaria	1
8	Cuscinetto	1
9	Piastra rotante	1
10	Anello di tenuta ad olio	1
11	Perno 4x10	1
12	Asse del miscelatore	1
13	Viti	4
14	Anello della copertura della ciotola	1

Fig. 4: Copertura della ciotola e asse di rotazione

Schema elettrico



- K1 Protezione contro il sovraccarico (protezione contro il surriscaldamento)
- K2 Protezione della leva di sollevamento della ciotola
- K3 Protezione della copertura della ciotola
- K4 Pulsante di avviamento
- K5 Pulsante di spegnimento
- K Reattore
- K0 Protezione della ciotola
- CA Condensatore
- M Motore



Garanzia

Qualsiasi difetto che influenza la funzionalità del dispositivo che compaia entro un anno dall'acquisto sarà corretto a titolo interamente gratuito o con la sostituzione del prodotto che è stato utilizzato e sottoposto a manutenzione corretta seguendo le istruzioni, senza alcuna violazione. I diritti legali del cliente non sono assolutamente modificati. Nel caso in cui l'intervento di manutenzione o sostitu-

zione sia previsto nel periodo di validità della garanzia, precisare dove e quando si è acquistato il prodotto, possibilmente allegando lo scontrino.

In linea con la nostra politica di sviluppo continuo dei prodotti, ci riserviamo il diritto di modificare il prodotto, l'imballo e le specifiche di documentazione, senza notifica alcuna.

Smaltimento e protezione dell'ambiente

In caso di ritiro dell'apparecchiatura dal funzionamento il prodotto non può essere smaltito con altri rifiuti domestici. L'utente è responsabile della consegna dell'attrezzatura al punto di raccolta appropriato per l'attrezzatura usata. Il mancato rispetto delle disposizioni sopramenzionate può comportare l'imposizione di sanzioni in conformità con le normative vigenti in materia di smaltimento dei rifiuti. La raccolta e il riciclaggio selettivi di attrezzature usate contribuiscono alla conserva-

zione delle risorse naturali e garantiscono il riciclaggio in modo tale da non nuocere alla salute e all'ambiente. Per ulteriori informazioni sui luoghi di smaltimento delle apparecchiature usate per il riciclaggio, contattare la società locale di raccolta dei rifiuti. Il produttore e l'importatore non sono responsabili per il riciclaggio e il trattamento dei rifiuti in modo ecologico, sia direttamente che nel quadro del sistema pubblico.

Stimate client,

Vă mulțumim pentru achiziționarea acestui aparat HENDI. Vă rugăm să citiți cu atenția acest manual înainte de a conecta aparatul pentru evitarea defectării ca urmare a utilizării incorecte. Acordați o atenție deosebită regulilor de siguranță.

Reguli de siguranță


- Operarea incorectă și utilizarea necorespunzătoare a aparatului poate cauza avaria grav aparatul și poate cauza răni oamenilor.
- Acest aparat nu este destinat uzului casnic.
- Aparatul poate fi folosit doar în scopul pentru care a fost proiectat. Producătorul nu este răspunzător pentru orice avariere cauzată operării incorecte și a utilizării necorespunzătoare.
- Asigurați-vă că aparatul și ștecherul nu intră în contact cu apă sau alte lichide. În cazul în care aparatul este scăpat în apă, scoateți imediat ștecherul din priză și un tehnician autorizat trebuie să-l verifice. Dacă nu respectați aceste instrucțiuni, acest lucru poate cauza situații care vă pot pune viața în pericol.
- Nu încercați să deschideți singuri carcasa aparatului.
- Nu introduceți nici un fel de obiecte în carcasa aparatului.
- Nu atingeți ștecherul cu mâinile ude sau umede.
- ⚠ **Pericol de electrocutare!** Nu încercați să reparați singur/ă aparatul. În cazul unei defecțiuni, reparațiile vor fi efectuate întotdeauna numai de personal calificat.
- **Nu utilizați niciodată un aparat defect!** Deconectați aparatul de la priza electrică și contactați distribuitorul în cazul unei defecțiuni.
- **Avertisment!** Nu scufundați părțile electrice ale aparatului în apă sau în alte lichide. Nu țineți niciodată aparatul sub jet de apă.
- Verificați în mod regulat ștecărul și cablul pentru a vă asigura că nu sunt deteriorate. În cazul în care ștecărul sau cablul de alimentare este deteriorat, acesta trebuie înlocuit de agentul de service sau de alt personal calificat similar pentru a evita orice pericol.
- Cablul nu trebuie să intre în contact cu obiecte ascuțite sau fierbinți și trebuie păstrat departe de foc. Pentru a scoate ștecărul din priză, trageți întotdeauna de ștecăr, nu de cablu.
- Asigurați-vă că nimeni nu poate trage din greșeală cablul (sau prelungitorul) și că nimeni nu se poate împiedica de el.
- Supravegheați întotdeauna aparatul atunci când este în funcțiune.
- **Avertisment!** Atât timp cât ștecărul este în priză, aparatul este conectat la sursa de electricitate.
- Opriti aparatul înainte de a scoate ștecărul din priză.
- Nu cărați niciodată aparatul ținându-l de cablu.
- Nu utilizați dispozitive suplimentare care nu sunt livrate împreună cu aparatul.
- Conectați aparatul doar la prize electrice cu intensitatea și frecvența electrice menționate pe eticheta aparatului.

RO



- Conectați cablul de alimentare la o priză electrică ușor accesibilă, astfel încât aparatul să poată fi deconectat imediat în caz de urgență. Scoateți cablul de alimentare din priza electrică pentru a opri complet aparatul. Utilizați cablul de alimentare ca dispozitiv de deconectare.
- Opriti întotdeauna aparatul înainte de a deconecta cablul de alimentare.
- Nu utilizați niciodată accesoriile care nu sunt recomandate de către producător. Acestea pot reprezenta un risc de siguranță pentru utilizator și pot deteriora aparatul. Utilizați numai piese și accesoriile originale.
- Acest aparat nu trebuie folosit de copii sau persoane care au capacități mentale, senzoriale sau fizice reduse, sau lipsă de experiență și cunoștințe.
- Acest aparat nu trebuie utilizat sub nicio formă de către copii.
- Nu țineți produsul și cablurile sale la îndemâna copiilor.
- Copiii nu trebuie să se joace cu acest produs.
- Deconectați întotdeauna aparatul de la sursa de alimentare în cazul în care este lăsat nesupravegheat, precum și înainte de asamblare, dezasamblare sau curățare.
- Nu lăsați niciodată aparatul nesupravegheat pe parcursul utilizării.

Norme speciali di sicurezza

- Utilizați mașina doar în modul descris în acest manual.
- Această mașină trebuie operată și instalată de către personal instruit specializat în bucătăria industriilor alimentare, cum ar fi aprovizionare, brutărie, pizza, aluat etc.
- Toate lucrările de mentenanță, instalare și reparații trebuie efectuate de tehnicieni specializați, instruiți și autorizați.
-  În partea din spate a aparatului este furnizată o bornă de legătură echipotențială pentru a asigura interconexiunea cu alte echipamente.
- Nu amplasați mașina pe un obiect de încălzire (aparat de gătit cu benzină, electric, cărbune etc.) Țineți aparatul la distanță de orice suprafețe fierbinți și de flăcări deschise. Utilizați întotdeauna aparatul pe o suprafață orizontală, stabilă, curată, termorezistentă și uscată.
- Nu utilizați mașina în apropierea materialelor explozibile sau inflamabile, cardurilor de credit, discurilor magnetice sau radiourilor.
- În timpul funcționării purtați îmbrăcăminte de protecție, mască sau ochelari de protecție, dacă este nevoie.
- Acest aparat nu este conceput pentru a fi utilizat cu ajutorul unui cronometru extern sau al unui sistem separat de control la distanță.
- Nu scoateți niciodată din circuit comutatoarele de siguranță ale mașinii.
- **AVERTISMENT:** Mențineți neobstrucționate toate orificiile pentru ventilație ale aparatului.
- **AVERTISMENT:** Opriti **ÎNTOTDEAUNA** mașina și deconectați-o de la sursa de alimentare electrică înainte de a o curăța, întreține sau de a-i schimba dispozitivele atașate.
- Lăsați cel puțin 30 cm în jurul aparatului pentru a asigura ventilația în timpul utilizării.

- **Atenție!** Așezați corespunzător cablul de alimentare, dacă este cazul, pentru a împiedica tragerea neintenționată sau contactul cu suprafața de încălzire.
- **AVERTISMENT! ÎNTOTDEAUNA** mențineți degetele, părul lung și hainele largi la depărtare de piese în mișcare.
- Nu puneți mâinile în zona protejată și bolul de amestecare atunci când mașina se află în funcțiune.
- Nu supraîncărcați ingredientele pentru a evita revărsarea produselor alimentare. Capacitatea maximă a vasului este de 10 litri pentru 222836, 222966 și 20 de litri pentru 222843, 222973.
- Nu spălați aparatul cu apă sau cu jet de apă. Spălarea cu apă poate produce scurgeri și crește riscul de electrocutare. Componentele nu pot fi curățate în mașina de spălat vase.
- Nu curățați și nu depozitați mașina decât după ce s-a răcit complet.
- Mutarea sau transportul mașinii trebuie efectuate cu atenție deosebită, deoarece are o greutate mare. Efectuați-le în 2 oameni sau ajutându-vă de un cărucior. Mutați mașina încet, cu grijă și niciodată înclinată la peste 45°.

Destinația produsului

- Acest aparat este destinat uzului profesional și poate fi utilizat numai de personal calificat.
- Acest aparat este destinat exclusiv amestecarea, frământarea și emulsionarea/baterea produselor alimentare folosite în industria alimentară și în

comerț. Orice altă utilizare poate provoca avarierea aparatului sau accidentarea persoanelor.

- Utilizarea aparatului în orice alt scop reprezintă o utilizare incorectă. Utilizatorul este singurul răspunzător de orice utilizare incorectă a aparatului.

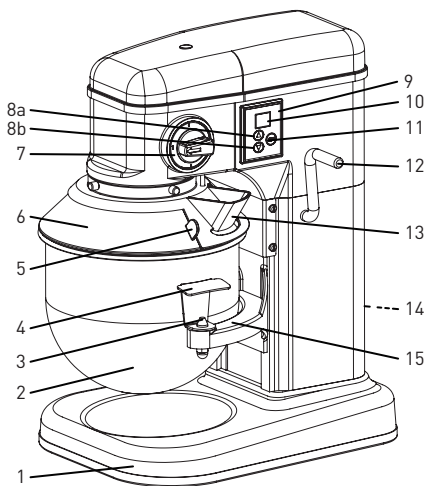
Instalația de împământare

Acest aparat este încadrat în clasa de protecție I și trebuie conectat la împământare de protecție. Împământarea reduce riscul electrocutării prin asigurarea unui fir de ieșire pentru curentul electric.

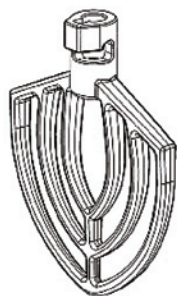
Acest aparat este dotat cu un cablu cu fir și fișă de împământare. Fișa trebuie conectată la o priză instalată corespunzător și cu împământare.

Principalele piese ale aparatului

1. Cadrul de bază al mașinii
2. Vas
3. Știfturi de ghidare (x2)
4. Mânerul vasului (x2)
5. Mânerul apărătoarei vasului
6. Apărătoarea vasului
7. Buton pentru controlul turajiei
- 8a. Cronometru (Creșterea duratei configurate)
- 8b. Cronometru (Scăderea duratei configurate)
9. Panou de comandă
10. Afişajul cronometrului
11. Comutator de PORNIRE / OPRIRE
12. Pârghie de ridicare / coborâre a vasului
13. Jgheab integrat pentru ingrediente
14. Buton de RESETARE (la partea din spate)
15. Suport vas



Dispozitive atașate



Bătător plat



Cârlig pentru aluat



Tel

Pregătiri înainte de instalare

- Deșurubați cu grijă mașina de pe suport folosind o cheie dacă este nevoie.
- Îndepărtați toate ambalajele și învelitorile de protecție.
- Verificați dacă produsul este complet și dacă nu a suferit avarii în timpul transportului. În cazul livrării incomplete (de ex. Tel, bătător plat și cârlig pentru aluat) sau avarierii, contactați imediat furnizorul. NU utilizați mașina. (Vezi == > Garanție).
- Curățați aparatul și dispozitivele atașate înainte de utilizare (Vezi == > Curățare și Întreținere).
- Asigurați-vă că aparatul este complet uscat.
- Păstrați ambalajul dacă intenționați să depozitați aparatul înăuntrul său pe viitor.

Instalare

- Citiți acest manual cu atenție și rigurozitate înainte de instalare și punere în funcțiune.
 - Asigurați-vă că mașina este amplasată într-o zonă uscată cu suprafață de sprijin îndeajuns de rezistentă și nu există obstrucții împrejurul mașinii în timpul funcționării.
 - Asigurați-vă că sursa de alimentare cu electricitate corespunde plăcuței de identificare de pe mașină.
 - În jurul mașinii trebuie să existe un spațiu suficient pentru ca operatorul să o poată folosi. Spațiul trebuie să fie curat și neobstrucționat, de ex. nimic amplasat pe sau în jurul mașinii, cum ar fi raclete, cuțite etc.
 - Nu purtați îmbrăcăminte largă, cum ar fi eșarfe, etc. iar părul lung trebuie prins și menținut la distanță de piesele în mișcare.
- ATENȚIE!** Nu scoateți niciodată din circuit comutatoarele de siguranță.

Transportul și manipularea

- Nu mutați mașina în timp ce funcționează.
- Atunci când mutați mașina, scoateți-o din priză, detașați vasul [2] și toate dispozitivele atașate (tel, bătător plat sau cârlig pentru aluat).
- Mențineți cadrul de bază al mașinii [1] atunci când o mutați pentru a o sprijini corespunzător.
- Efectuați mutarea mașinii cu 2 oameni sau ajutându-vă de un cărucior, deoarece are greutate mare.

Caracteristici speciale de siguranță

Atenție: Această mașină este echipată cu următoarele 3 comutatoare de siguranță. Mașina poate fi pusă în funcțiune doar atunci când toate comutatoarele de siguranță se află în poziția corespunzătoare.

- Comutator de siguranță pentru poziția vasului: Mașina poate fi pornită odată ce vasul este amplasat în poziția corectă.
- Comutator de siguranță pentru apărătoarea vasului (5): Mașina poate fi pornită doar după ce apărătoarea vasului (5) se află în poziție închisă.
- Comutator de siguranță pentru pârgăhia de ridicare (12): Mașina poate fi pornită doar după ce pârgăhia de ridicare (12) se află în poziție ridicată.

Nu purtați îmbrăcăminte largă, cum ar fi eșarfe, etc. iar părul lung trebuie prins și menținut la distanță de piesele în mișcare

Funcționare

Pentru evitarea accidentărilor personale grave:

- NU utilizați mașina fără a citi manualul de instrucțiuni.
- OPRIȚI ÎNTOTDEAUNA mașina și deconectați-o de la sursa de alimentare electrică înainte de a o curăța, întreține, repara sau de a-i schimba dispozitivele atașate.
- ÎNTOTDEAUNA mențineți degetele, părul lung și hainele largi la depărtare de piese în mișcare.

a) Despre apărătoarea vasului

Notă: Atunci când apărătoarea vasului (6) este deschisă sau nu este închisă corect în poziția de blocare, mașina nu va funcționa.

1. Pentru a deschide apărătoarea vasului (6), rotiți în sens orar mânerul apărătorii vasului (5). Pentru a închide apărătoarea vasului (6), rotiți în sens anti-orar mânerul apărătorii vasului (5).
2. Atunci când mânerul apărătorii vasului (5) este alinia la dreapta mașinii, apărătoarea vasului (6) se află în poziție blocată și este pregătită de funcționare.

b) Instalarea vasului (2) pe mașină

Notă: Instalați vasul (2) ÎNAINTE de a monta dispozitivele atașate. Utilizați doar vasul furnizat (2).

1. Coborâți vasul prin tragerea pârgăhiei de ridicare a vasului (12) în jos până la refuz. După aceasta suportul vasului (15) se află în poziție inferioară.
2. Amplasați lent și cu grijă vasul (2) folosind mâ-

- nerile vasului (4) de pe cele 2 părți și
i) Cu știftul de blocare în orificiul din mijlocul suportului pentru vas (15) și
ii) Aliniați-l cu știfturile de ghidare de pe cele 2 părți ale suportului de vas (15).



c) Instalarea diverselor dispozitive atașate (Bătător plat, Cârlig pentru aluat sau Tel) pe mașină

Notă: Este mai comod și mai facil de a instala dispozitivele atașate înainte de adăugarea ingredientelor în vas (2).

1. Rotiți lent apărătoarea vasului (6) în sens orar, astfel încât să se afle în poziție deschisă.
2. **ATENȚIE!** Utilizarea forței excesive pentru deschiderea și închiderea apărătorii vasului (6) poate avaria comutatorul de siguranță pentru blocare. Deschideți și închideți cu grijă apărătoarea vasului (6).
3. Glisați ușor în sus dispozitivele atașate (Bătător plat, Cârlig pentru aluat sau Tel) pe arborele planetar, montând axul arborelui prin fanta din dispozitive.
4. Rotiți dispozitivele pentru a le fixa pe arborele planetar.

RO



d) Turnarea și amestecarea ingredientelor

Notă: Respectați capacitățile din tabelul pentru Amestecarea ingredientelor din acest manual. Supraîncărcarea va conduce la revărsare sau avarierea mașinii.

IMPORTANT: Asigurați-vă că butonul de control al turației (7) se află în poziția 1.

1. Adăugați toate ingredientele necesare în vas (2).

e) Configurarea cronometrului, a turației și pornirea mașinii

1. Puteți configura cronometrul pentru durata de amestecare corespunzătoare sau puteți utiliza fără a configura cronometrul.

a) Operation with timer set:

Apăsați butonul Timp + (8a) pentru a mări durata sau Timp - (8b) pentru a micșora durata. Apăsați butonul roșu PORNIT/OPRIT (11) pentru a confirma. Durata rămasă va fi afișată iar pe ecran (10) va lumina intermitent un punct.



b) Funcționare fără cronometru configurat:

Mașina se va OPRI automat în 10 minute, deoarece durata implicită a temporizatorului este de 10 minute.

Notă: i) Durata maximă configurată este de 60 minute. Durata implicită este de 10 minute.

ii) Apăsați și mențineți butonul timp + (8a) sau (8b) pentru reglaj rapid.

2. Selectați apoi turația adecvată prin ridicarea sau coborârea butonului de control al turației (7). Sunt disponibile trei turații fixe: prima (1), a doua (2) și a treia (3).

Viteza de rotație

Tipul de ingredient

1 (Joasă)

Greu: Malaxare pizza, pâine, paste și

2 (Medie)

Mediu: a 2-a etapă de malaxare pentru aluat de gogoși etc.

3 (Ridicată)

Ușor: Smântână, albușuri de ou, bezele.

2. Ridicați pârghia de ridicare a vasului (12) până când vasul (2) se blochează în poziție.

3. Rotiți în sens anti-orar apărătoarea vasului (6) și blocați-o în poziție.

Atenție: Mașina nu va porni dacă apărătoarea vasului (6) este deschisă / nu este închisă corect sau dacă vasul (2) se află în poziția inferioară.

IMPORTANT: Folosiți ÎNTOTDEAUNA dispozitivul și configurarea de turație recomandată conform tabelului de capacități.

ATENȚIE: Aveți grijă la riscul de vărsare a făinii și prafurilor atunci când desfaceți pungile de ingrediente în vas (2). Purtați o mască sau ochelari de protecție dacă este nevoie.

3. După aceea, apăsați butonul roșu (PORNIRE / OPRIRE) (11) de pe panoul de comandă (9) pentru a PORNI mașina. Apăsați din nou pentru a OPRI mașina. Mașina va funcționa în sens orar.

4. **ATENȚIE!** OPRIȚI ÎNTOTDEAUNA mașina ÎNAINTE de a schimba vitezele. Nerespectarea acestei instrucțiuni poate avaria angrenajele interioare.

5. Pentru a schimba viteza în timpul funcționării:

a) Apăsați butonul roșu (PORNIRE / OPRIRE) (11) de pe panoul de comandă (9) pentru a OPRI mașina.

b) Schimbați viteza prin ridicarea sau coborârea butonului de control al turației (7).

c) Apăsați butonul roșu (PORNIRE / OPRIRE) (11) de pe panoul de comandă (9) pentru a reporni mașina.

RESETAREA limitatorului (separatorul termic)

Vă rugăm să rețineți că butonul RESET (14) este situat în partea posterioară a aparatului pentru a se evita supraîncălzirea.

- Scoateți mai întâi aparatul din priza de alimentare de la rețea.

- Permiteți aparatului să se răcească complet.
- Apăsăți butonul RESET (14) al limitatorului (separatorul termic).
- Conectați apoi mașina la rețeaua de alimentare și porniți-o din nou.

Capacitatea de malaxare a ingredientelor

Tabelul de mai jos este doar un tabel de referință cu cantitatea maximă pentru prepararea diverse-

lor alimente. Există mulți factori care influențează, cum ar fi tipul de făină, temperatura apei etc.

Produs	Dispozitiv atașat	Cantitate maximă	
Albuș de ou	Tel	700g	
Piure de cartofi	Bătător plat	1,500g	
Amestec de bezele (Cantitate de apă)	Tel	1 litru	
Aluat pentru gofre sau clătite	Bătător plat	2 litri	
Frișcă	Tel	3 litri	
Aluat pentru pizza (Mediu, 50% apă)	Cârlig pentru aluat, viteza (1)	1,500g	
Aluat pentru pizza (Gros, 60% apă)	Cârlig pentru aluat, viteza (1)	2,000g	
Amestec de pandișpan	Tel, viteza (1)	1,000g	
Aluat de plăcintă	Bătător plat, viteza (1)	1,500g	
Aluat pentru pâine sau chifle (Ușor/Mediu, 60% apă)	Cârlig pentru aluat, viteza (1)	Apă 500g	Făină 800g

RO

Curățare și Întreținere

Atenție: Deconectați întotdeauna mașina de la priza de alimentare și permiteți-i să se răcească complet înainte de a o curăța, întreține, repara și depozita.

Curățare

- Demontați întotdeauna dispozitivele atașate înainte de curățare, deoarece în caz contrar se vor bloca pe ax și vor fi dificil de îndepărtat mai târziu.
- Curățați riguros mașina și dispozitivele sale atașate după fiecare utilizare, asigurându-vă că eliminați toate reziduurile de alimente.
- Nu scufundați niciodată aparatul în apă sau în alte lichide.
- Curățați cu o lavetă ușor umezită sau un burete cu o soluție diluată de săpun.
- Nu folosiți niciodată bureți sau detergenți abrazivi, bureți de sârmă sau ustensile metalice pentru a curăța părțile interioare sau exterioare ale aparatului.
- NU spălați aparatul cu apă sau jet de apă. Spălarea cu apă poate produce scurgeri și crește riscul de electrocutare.
- Niciuna dintre piese sau dispozitive atașate nu pot fi curățate în mașina de spălat vase.



Procedura recomandată de curățare:

Piese	Mod de curățare	Frecvență
Vas	Folosiți un burete sau o lavetă umedă cu soluție diluată de săpun și apă, clătiți, igienizați și uscați complet.	Curățați după fiecare utilizare
Dispozitive atașate (Cârlig pentru aluat, bătător și tel)	Spălați manual cu soluție diluată de săpun și apă, clătiți, igienizați și uscați complet.	Curățați după fiecare utilizare
Apărătoarea vasului	Spălați manual folosind un burete sau o lavetă umedă cu soluție diluată de săpun și apă, clătiți, igienizați și uscați complet.	Curățați după fiecare utilizare
Suprafața exterioară	Ștergeți cu o lavetă curată umezită în soluție diluată de săpun și apă, clătiți, igienizați și uscați. Nu utilizați jet de apă.	De două ori pe săptămână
Arbore Planetar	Ștergeți cu o lavetă curată umezită în soluție diluată de săpun și apă, clătiți, igienizați și uscați.	Curățați după fiecare utilizare

Depozitare

- Asigurați-vă întotdeauna înainte de depozitare că aparatul a fost deconectat de la sursa de alimentare și s-a răcit complet.
- Depozitați aparatul într-un loc răcoros, curat și uscat.

Depanare

Vă rugăm consultați tabelul de mai jos pentru soluții în cazul în care mașina nu funcționează adecvat. Vă rugăm contactați distribuitorul/furnizorul de soluții în cazul în care problema nu poate fi rezolvată. **NU încercați să reparați.**

Probleme	Cauze posibile	Soluție posibilă
Mașina nu pornește	Apărătoarea vasului (6) nu se află în poziția închisă adecvată.	Rotiți apărătoarea vasului (6) către dreapta până când se închide corect și complet.
	Vasul (2) nu este ridicat în poziția corectă.	Ridicați vasul (2) în poziția corectă folosind pârghia (12).
	Ștecherul nu este conectat corespunzător.	Verificați ștecherul pentru a vă asigura că este conectat corespunzător.
Mașina se oprește în timpul funcționării	Supraîncărcarea internă se activează pentru a preveni supraîncălzirea.	Apăsăți butonul OPRIT (11) și apoi butonul RESET (14) de la partea posterioară.
	Curea de transmisie avariata sau ruptă	Luați legătura cu furnizorul
Zgomotul produs de mașină este excesiv	Mașina nu este amplasată pe o suprafață orizontală.	Corectați suprafața sau mutați pe o altă suprafață orizontală.
	Vasul (2) nu corect amplasat.	Asigurați-vă că vasul (2) este amplasat corect în suportul de vas (15) cu știfturile de ghidare (3).
	Dispozitivele atașate nu sunt corect montate.	Îndepărtați și montați din nou la poziție dispozitivele atașate.
	Vasul este supraîncărcat.	Reduceți cantitatea de ingrediente.
	Curea de transmisie avariata sau uzată.	Luați legătura cu furnizorul.
	Angrenajul planetar necesită lubrifiere.	
Dispozitivele nu se pot atașa ușor pe arborele planetar	Lipsă de lubrifiere și/sau este necesară curățarea arborelui planetar.	Ștergeți arborele planetar cu o lavetă curată umedă și lubrifiați arborele cu ulei mineral sau unsoare.
Pârghia de ridicare / coborâre a vasului (12) nu funcționează ușor	Lipsă de lubrifiere pe glisierile vasului.	Lubrifiați glisierile vasului cu ulei mineral sau unsoare.

RO

Specificația tehnică

Articol nr.: 222829

Tensiune și frecvență de funcționare: 220- 230V-50/60Hz

Puterea nominală de intrare: 650W

Clasa de protecție: clasa I

Clasa de protecție contra apei: IP21

Capacitatea maximă: 7 litri (800g de făină + 500g de apă)

Turația (rot/min): Bătător plat (250); Cârlig pentru

aluat (128); Bătător plat (540)

Dimensiune: 240x420x(H)425mm

Greutate netă: aproximativ 21kg

Nivel sonor: < 70 dB (A)

Observație: Specificația tehnică poate fi modificată fără preaviz.



Vedere explodată și lista de piese

- Vederea explodată și lista de piese sunt compuse din 4 părți principale:
- Corpul principal al mașinii (Figura 1);

- Ansamblul angrenajului (Figura 2);
- Ansamblul de ridicare a vasului (Figura 3);
- Apărătoarea vasului și axul rotativ (Figura 4).

Lista pieselor mașinii din Figura 1

Piesă nr.	Denumirea piesei	Cantitatea
1	Capac șurub	1
2	Șurub capac superior	1
3	Capac superior	1
4	Șuruburi M5x8	10
5	Ansamblu motor	1
6	Șaibă elastică	7
7	Șuruburi M6x16	3
8	Șuruburi M6x20	4
9	Capac posterior	1
10	Suport	1
11	Mufă pentru cablu	1
12	Împământare	1
13	Capac orificii de ventilație	1
14	Șuruburi M4x8	4
15	Șuruburi M6x20	4
16	Capac bază	1
17	Suport vas	1
18	Capac suport vas	1
19	Tijă de conexiune	1
20	Știft 6x18	1
21	Corp superior	1
22	Capac lagăr	1
23	Șaibă elastică	4
24	Șuruburi M5x20	6
25	Capac ax central	1
26	Capac ax angrenaj	2
27	Șaibă Ø26	2
28	Șaibă Ø32	2
29	Capac acoperire comutator	1

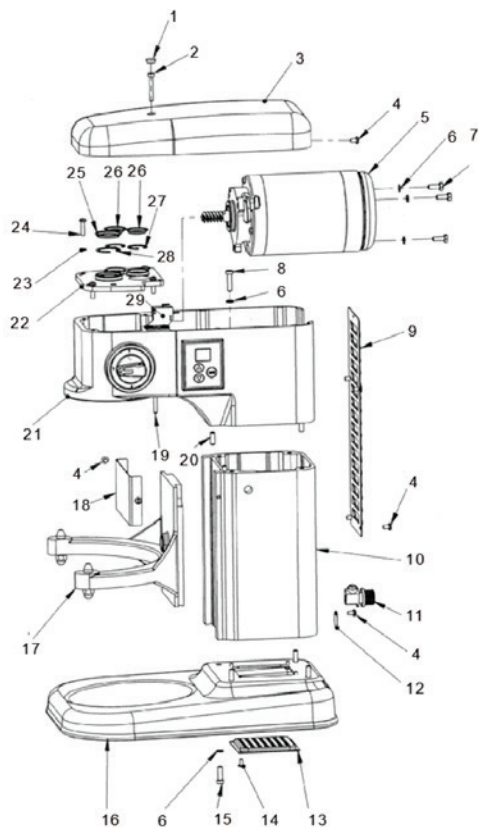


Figura 1: Corpul principal al mașinii

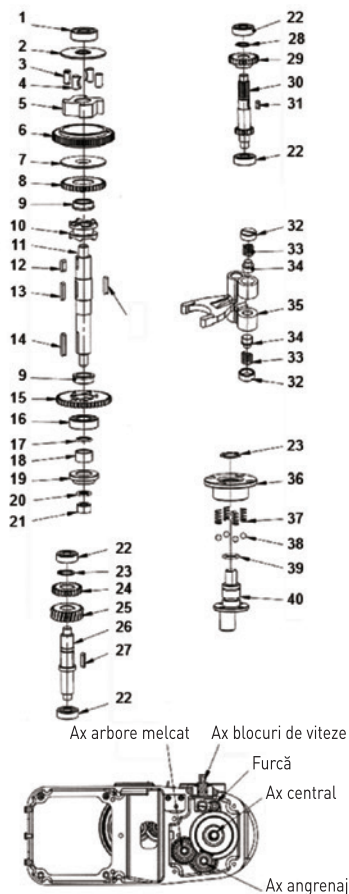
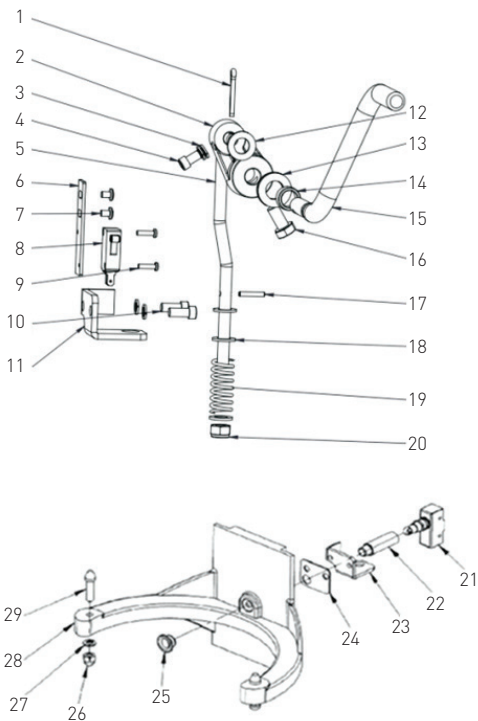


Figura 2: Ansamblu angrenaj

Lista pieselor mașinii din Figura 2

Piesă nr.	Denumirea piesei	Cantitatea
1	Rulment	1
2	Capac	1
3	Role	4
4	Arcuri	4
5	Cuplaj	1
6	Coroană dințată	1
7	Inel de separare	1
8	Roată de cuplare	1
9	Inel pentru rulment	2
10	Cuplaj	1
11	Ax central	1
12	Pană 5x14	1
13	Pană 4x22	2
14	Pană 4x28	1
15	Roată de cuplare	1
16	Rulment	1
17	Inel O 16x1,8	1
18	Manșon ax central	1
19	Manșon angrenaj mare de cuplare	1
20	Inel elastic Ø10	1
21	Piuliță (M10)	1
22	Rulment	4
23	Inel opritor Ø16	2
24	Roată dințată	1
25	Roată melcată	1
26	Ax roată melcată	1
27	Pană 4x18	1
28	Inel elastic Ø13	1
29	Roată dințată turație înaltă	1
30	Ax angrenaj	1
31	Pană 4x10	1
32	Piuliță pentru furcă	2
33	Arcuri pentru furcă	2
34	Axele mici pentru furcă	2
35	Suport rigid	1
36	Blocuri de viteze	1
37	Arcuri	4
38	Bilă din oțel	4
39	Inel O	1
40	Ax blocuri de viteze	1

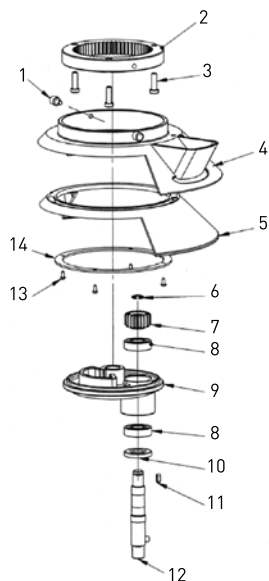




Lista pieselor mașinii din Figura 3

Piesă nr.	Denumirea piesei	Cantitatea
1	Știft 3X16	1
2	Unitate fixare mâner	1
3	Șaibă elastică 6	1
4	Șuruburi M6x10	1
5	Bară de ridicare	1
6	Suport microcomutator	1
7	Șuruburi M4x6	2
8	Micro-întrerupător	1
9	Șuruburi M3x12	2
10	Șuruburi M6x14	2
11	Placă de suport bară de ridicare	1
12	Șaibă plată 10	1
13	Șaibă plată 12	2
14	Manșon	1
15	Mâner	1
16	Șuruburi M8x16	1
17	Cilindru elastic (Pin 3X18)	1
18	Șaibă plată 8	3
19	Arc	1
20	Piuliță (M8)	1
21	Micro-întrerupător	1
22	Conector pentru comutator	1
23	Suport comutator	1
24	Cadru comutator	1
25	Capac buton	1
26	Piuliță	2
27	Șaibă elastică	2
28	Braț suport vas	1
29	Știfturi de ghidare	2

Figura 3: Ansamblul mașinii pentru ridicarea vasului

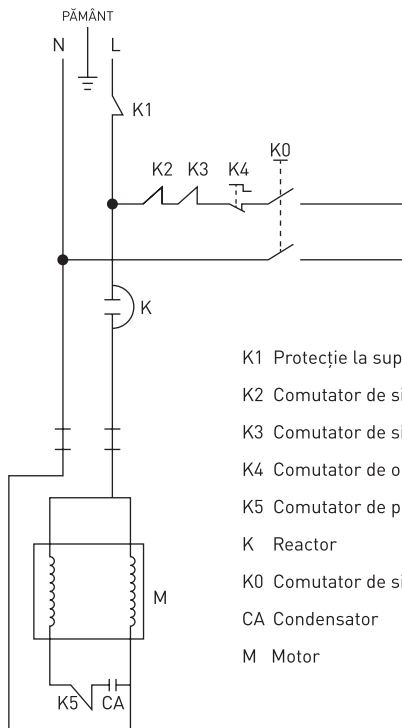


Lista pieselor mașinii din Figura 4

Piesă nr.	Denumirea piesei	Cantitatea
1	Insertie	2
2	Angrenaj interior	1
3	Șuruburi M6x20	4
4	Apărătoarea vasului (exterioară)	1
5	Apărătoarea vasului (interioară)	1
6	Șaibă elastică Ø12	1
7	Angrenaj planetar	1
8	Rulment	1
9	Placă rotativă	1
10	Garnitură inelară ulei	1
11	Știft 4x10	1
12	Ax malaxor	1
13	Șuruburi	4
14	Inel apărătoare vas	1

Figura 4: Apărătoarea vasului și axul rotativ

Schema circuitului



- K1 Protecție la supraîncărcare (Deconectare termică)
- K2 Comutator de siguranță pârghie ridicare vas
- K3 Comutator de siguranță pentru apărătoarea vasului
- K4 Comutator de oprire
- K5 Comutator de pornire
- K Reactor
- K0 Comutator de siguranță pentru poziția vasului
- CA Condensator
- M Motor



Garanție

Orice defecțiune care afectează funcționarea aparatului apărută la mai puțin de un an de la cumpărarea acestuia va fi remediată prin reparație sau înlocuire gratuită, cu condiția ca aparatul să fi fost folosit și întreținut conform instrucțiunilor nu să nu fi fost bruscat sau folosit necorespunzător în vreun fel. Drepturile dumneavoastră legale nu sunt afec-

tate. Dacă aparatul este în garanție, menționați când și de unde a fost cumpărat și includeți dovada cumpărării (de ex. chitanța).

Conform politicii noastre de dezvoltare continuă a produsului, ne rezervăm dreptul de a modifica produsul, ambalajul și documentația fără notificare.


Eliminarea și mediul înconjurător

La dezafectarea aparatului, produsul nu trebuie aruncat împreună cu alte deșeuri menajere. În schimb, este responsabilitatea dumneavoastră să eliminați echipamentul uzat prin predarea acestuia la un punct de colectare desemnat. Nerespectarea acestei reguli poate fi penalizată în conformitate cu reglementările aplicabile privind eliminarea deșeurilor. Colectarea separată și reciclarea echipamentului dumneavoastră uzat la momentul debarasării contribuie la conservarea resurselor na-

turale și asigură realizarea reciclării într-un mod care protejează sănătatea ființelor umane și a mediului. Pentru informații suplimentare privind modul în care puteți preda deșeurile dumneavoastră în scopul reciclării, vă rugăm să contactați compania locală de colectare a deșeurilor. Producătorii și importatorii nu își asumă responsabilitatea cu privire la reciclarea, tratarea și eliminarea ecologică a deșeurilor, fie direct, fie prin intermediul unui sistem public.

Большое Вам спасибо за то, что Вы купили оборудование фирмы HENDI. Вам следует внимательно прочитать настоящую инструкцию пользователя во избежание повреждения машины в результате неправильной эксплуатации. Особенно рекомендуем ознакомиться с предупреждениями.


Правила техники безопасности

- Неправильная эксплуатация и неподходящее использование агрегата может привести к его поломке и поранить оператора.
- Это оборудование не предназначено для домашнего использования.
- Оборудование следует использовать точно по назначению. Производитель не несет ответственности за повреждения, вызванные неправильной эксплуатацией или неправильным обслуживанием оборудования.
- Оборудование и электрическую штепсельную вилку следует держать вдали от воды и прочих жидкостей. Если штепсельная вилка попадет в воду, ее следует тут же вытаскивать из розетки электропитания и обратиться в службу сертифицированного сервиса для проверки устройства. Несоблюдение данных указаний может повлечь за собой угрозу здоровью и жизни обслуживающего персонала.
- Нельзя снимать кожух без особого разрешения.
- Нельзя класть никаких посторонних предметов вовнутрь агрегата.
- Нельзя касаться мокрыми, или влажными руками штепсельной вилки.
-  **Опасность поражения током!** Не следует самостоятельно чинить электроаппаратуру. Любые поломки и неисправности должны устраняться квалифицированным персоналом.
- **Никогда не следует пользоваться поврежденной электроаппаратурой.** Поврежденное устройство нужно отсоединить от электросети и обратиться к продавцу.
- **Предупреждение:** не следует погружать электрических деталей в воду, или иные жидкости. Не омыwać в струе воды.
- Регулярно проверять вилку и провод электропитания на предмет повреждений. Поврежденные вилку или провод передать для ремонта в сервисную точку, или обратиться к квалифицированному электрику во имя предотвращения опасности травм.
- Удостовериться, что провод электропитания не касается острых и горячих предметов; держать электропровод вдали от открытого огня. Для того, чтобы вынуть вилку из розетки всегда нужно тянуть за вилку, а не за электропровод.
- Защитить провод электропитания (удлинитель) от случайного выпадения из розетки. Электропровод прокладывать так, чтобы случайно не зацепиться за него.
- Непрестанно наблюдать за работающей электроаппаратурой.
- **Предупреждение!** Если вилка находится в розетке – это означает, что электроаппаратура считается подключенной к электропитанию.
- Перед тем, как вынуть вилку из розетки, электроаппаратуру следует выключить!
- Никогда нельзя переносить, передвигать электроаппаратуру держа за электропровод.
- Не использовать никаких деталей, аксессуаров, которые не поставляются вместе с этой электроаппаратурой.



- Электроаппаратуру следует подключать исключительно к розетке, в которой имеется напряжение и частоту, указанную на щитке электроаппаратуры.
- Вилку следует вставлять в розетку, расположенную в удобном и легкодоступном месте, так чтобы в случае аварии можно бы ее немедленно вынуть. Для полного обеспечения электроаппаратуры ее следует отсоединить от электропитания; для этого следует вынуть вилку, находящуюся на конце провода электропитания, из розетки.
- Перед тем, как вынуть вилку всегда следует помнить о том, чтобы сначала выключить электроаппаратуру!
- Не следует использовать детали, аксессуары, не рекомендуемые производителем данной электроаппаратуры, т.к. использование таких деталей, аксессуаров может создать для пользователя угрозу его здоровью и жизни, а также может привести к поломке электроаппаратуры. Следует всего использовать оригинальные детали, аксессуары.
- Без надлежащего контроля или предварительного обучения эксплуатации оборудования проводимого лицом, отвечающим за безопасную эксплуатацию, оборудованием не могут пользоваться ни дети, ни лица с ограниченными физическими, или психическими возможностями, ни лица, которые не обладают необходимым опытом работы и знаниями в данной области.
- Ни в коем случае нельзя допускать к использованию электроаппаратуры детей.
- Электроаппаратуру следует хранить в месте недоступном для детей.
- Нельзя разрешать детям использовать электроаппаратуру в качестве игрушки.
- Всегда электроаппаратуру следует отсоединить от электропитания, если оставляем ее без надзора, перед монтажом, демонтажем и чисткой.
- Нельзя оставлять работающую электроаппаратуру без надзора.

Специальные правила техники безопасности

- Используйте устройство только в соответствии с руководством.
- Устройство должен устанавливать и эксплуатировать только квалифицированный персонал кухни в точках общественного питания, например, кейтеринга, пекарни, пиццерии, кондитерских и т.п.
- Все операции по техническому обслуживанию, монтажу и ремонту устройства должны проводить квалифицированные и сертифицированные технические специалисты.
-  На задней стороне находится эквипотенциальный разъем для кросс-подключения к другому устройству.
- Не устанавливайте устройство на объекте, излучающем тепло (газовая или электрическая плита, гриль и т.п.). Держите устройство вдали от любых горячих поверхностей или открытого пламени. Устанавливайте устройство на ровной, стабильной, чистой и сухой поверхности, устойчивой к воздействию высоких температур.
- Не пользуйтесь устройством вблизи легковоспламеняющихся или взрывоопасных материалов, платежных карт, магнитных дисков или радиоприёмников.

- При необходимости, во время работы устройства наденьте защитную одежду, маску или защитные очки.
- Устройство не предназначено для работы с помощью внешнего таймера или отдельной системы дистанционного управления.
- Никогда самостоятельно не вскрывайте и не ремонтируйте предохранительные устройства.
- **ПРЕДУПРЕЖДЕНИЕ:** Не закрывайте вентиляционные отверстия устройства.
- **ПРЕДУПРЕЖДЕНИЕ: ВСЕГДА** помните, чтобы выключить и отключить устройство от источника питания перед очисткой, техническим обслуживанием или заменой принадлежностей.
- Обеспечьте, по крайней мере, 30 см пространства вокруг устройства для обеспечения надлежащей вентиляции.
- **Внимание!** Уложите и защитите шнур питания таким образом, чтобы его случайно не потянуть или предотвратить контакт с нагревательной плитой.
- **ПРЕДУПРЕЖДЕНИЕ! ВСЕГДА** помните, чтобы не носить свободную одежду и не прикасаться к движущимся частям руками, а также завязывать волосы.
- Во время работы не кладите руки под крышку или в чашу.
- Не кладите в чашу слишком большого количества ингредиентов, чтобы предотвратить выливания содержимого. Чаша вмещает до 10 литров (модель 222836, 222966) или 20 литров (модель 222843, 222973).
- Не мойте устройство водой или сильной струёй. При мойке устройства вода может попасть в электрические детали и вызвать поражение электрическим током. Части устройства нельзя мыть в посудомоечной машине.
- Не чистите и не помещайте устройство на хранение, пока оно полностью не остынет.
- Соблюдайте особенную осторожность во время перенесения устройства из-за его веса. Устройство должны переносить два человека или перемещать с помощью погрузчика. Переносите устройство медленно и осторожно, не наклоняйте его под углом более, чем на 45°.

Назначение устройства

- Это оборудование предназначено для профессионального использования и может эксплуатироваться только квалифицированным персоналом.
- Устройство предназначено для коммерческого использования и используется для смешивания, замешивания и эмульгирования / взбивания пищевых продуктов в точках обществен-

ного питания и в магазинах. Использование устройства для любых других целей может привести к повреждению или травме тела.

- Использование устройства для любых других целей будет рассматриваться, как использование не по назначению. Пользователь будет нести исключительную ответственность за неправильное использование устройства.

Монтаж заземления

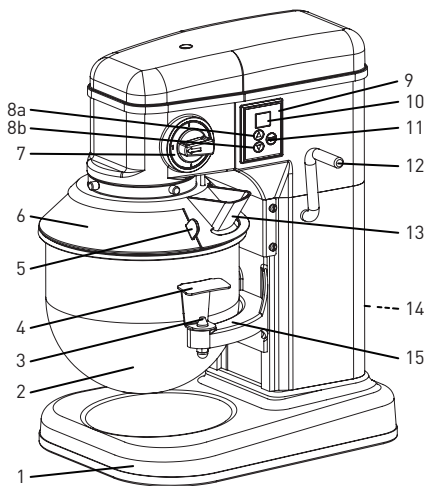
Миксер является устройством I класса защиты и должен быть заземлен. Заземление снижает риск поражения электрическим током за счет использования отводящего провода. Устройство

оснащено проводом заземления с заземляющей вилкой. Вилка должна быть подключена к розетке переменного тока, которая надлежащим образом установлена и заземлена.

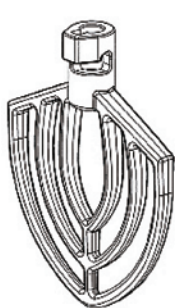


Основные части устройства

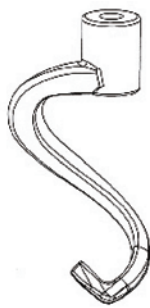
1. Основание устройства
2. Чаша
3. Стопорные штифты (x 2)
4. Держатели чаши (x 2)
5. Держатель обода чаши
6. Обод чаши
7. Ручка регулятора скорости
- 8a. Таймер (увеличение значения времени)
- 8b. Таймер (уменьшение значения времени)
9. Панель управления
10. Дисплей таймера
11. Выключатель (ON/OFF)
12. Рычаг для подъема/ опускания чаши
13. Встроенный желоб для добавления ингредиентов
14. Кнопка RESET (в задней части устройства)
15. Кронштейн чаши



Аксессуары



Плоская мешалка



Крюк для замеса теста



Венчик

Перед установкой

- Осторожно ослабьте винты крепления устройства к опорному элементу, при необходимости - с помощью гаечного ключа.
- Снимите и удалите упаковку и защиты.
- Проверьте комплектность устройства и возможные повреждения, полученные во время транспортировки. В случае неполной поставки (например, отсутствия аксессуаров) или повреждения установки, немедленно свяжитесь с поставщиком. В этом случае, НЕ пользуйтесь устройством. (Смотри ==> Гарантия).
- Очистите устройство и его аксессуары (Смотри ==> Очистка и техническое обслуживание).
- Убедитесь, что устройство полностью сухое.
- Сохраните упаковку, если намереваетесь хранить прибор в будущем.

Сборка

- Внимательно прочитайте руководство перед установкой и использованием устройства.
- Убедитесь, что устройство расположено на сухой поверхности с достаточной прочностью, там, где обеспечен легкий доступ к устройству.
- Проверьте, что спецификация устройства, указанная на щитке, соответствует параметрам электрической розетки, к которой устройство должно быть подключено.
- Для того, чтобы пользователь мог работать, во-

круг устройства необходимо поддерживать достаточное пространство. Вокруг устройства не могут находиться любые предметы, такие как овощечистки, ножи и т.д.

- При работе с устройством не носите свободную одежду, например, шарфы и т.д., завяжите волосы и не приближайтесь какой-либо частью тела к движущимся элементам устройства.

ВНИМАНИЕ! Никогда не отключайте предохранительный выключатель.

Транспортировка и эксплуатация устройства

- Не перемещайте устройство во время работы.
- Если вы хотите перенести устройство в другое место, сначала отсоедините вилку из розетки, выньте чашу (2), отсоедините аксессуары (венчик, плоскую мешалку или крюк для замеса теста).

- При перемещении устройства держите устройство за основание (1).

- Из-за веса устройства, устройство должны переносить два человека или перемещать с помощью погрузчика.

Специальные средства безопасности

Внимание: Устройство оснащено 3 защитными элементами. Устройство может быть запущено только тогда, когда все защитные элементы находятся в правильном положении.

- Защита чаши: Устройство может быть запущено только тогда, когда чаша (2) будет правильно установлена на кронштейне.
- Защита обода чаши (5): Устройство может быть запущено только тогда, когда обод чаши (5) будет правильно закреплен и зафиксирован.
- Защита рычага (12): Устройство может быть

запущено только тогда, когда рычаг (12) будет находиться в верхнем положении.

При работе с устройством не носите свободную одежду, например, шарфы и т.д., завяжите волосы и не приближайтесь какой-либо частью тела к движущимся элементам устройства.

Обслуживание

Для того, чтобы избежать серьезных травм:

- НИКОГДА НЕ пользуйтесь устройством пока не прочитаете данное руководство.
- ВСЕГДА помните, чтобы выключить устройство и отключить от источника питания перед очисткой, техническим обслуживанием, ремонтом или заменой аксессуаров.

- ВСЕГДА помните, чтобы не носить свободную одежду и не прикасаться к движущимся элементам устройства руками и завязывать волосы.

а) Обод чаши

Внимание: Если обод чаши (6) открытый, это значит, что он не был правильно установлен и закрыт, устройство не будет работать.

1. Для того, чтобы открыть обод чаши (6), схватите держатель обода чаши (5) и поверните по часовой стрелке. Для того, чтобы закрыть обод чаши (6), схватите держатель обода чаши (5) и поверните против часовой стрелки.

2. Когда держатель обода чаши (5) находится на одном уровне с правой стороны устройства, обод чаши (6) находится в правильном положении, и вы можете начать работу.



в) Установите чашу (2) устройства

Внимание: Установите чашу (2) устройства ПЕРЕД установкой аксессуаров. Используйте только чашу (2), поставляемую вместе с устройством.

1. Опустите кронштейн чаши при помощи рычага (12), направляя его вниз, пока чаша не остановится. Кронштейн чаши (15) должен находиться в нижнем положении.
2. Осторожно и медленно поместите чашу (2) на

- кронштейне при помощи держателей (4), расположенных по обе стороны, а затем
- i) поместить стопорный штифт в отверстие, расположенное в середине кронштейна чаши (15) и
 - ii) при помощи штифтов установите чашу на нужном уровне по отношению к кронштейну (15).



с) Установите необходимые аксессуары (плоскую мешалку, крюк для замеса теста или венчик)

Внимание: Удобнее всего установить аксессуары перед тем, как поместите в чашу (2) ингредиенты.

1. Осторожно поверните обод чаши (6) по часовой стрелке, чтобы переместить её в открытое положение.
2. **ВНИМАНИЕ!** Чрезмерное усилие при открытии или закрытии обода чаши (6) может привести к повреждению защитного элемента миксера.

решателя. Будьте осторожны при открытии или закрытии обода чаши (6).

3. Медленно вложите аксессуары (плоскую мешалку, крюк для замеса теста или венчик) в вал планетарного миксера, вставляя болт вала через отверстие аксессуара.
4. Поверните аксессуар, чтобы заблокировать его в вале планетарного миксера.

д) Заливка и смешивание ингредиентов

Внимание: Следуйте таблице, представленной в этом руководстве, для определения максимального количества ингредиентов, соответствующего емкости чаши. Наполнение чаши больше её ёмкости, может привести к выливаю и повреждению устройства.

ВАЖНАЯ ИНФОРМАЦИЯ: Убедитесь, что ручка регулятора скорости (7) установлена в положении «1».

1. Поместите необходимые ингредиенты в чашу (2).

2. Передвиньте рычаг для подъема/ опускания чаши (12) вверх, пока чаша (2) не будет находиться в правильном положении.
3. Поверните обод чаши (6) против часовой стрелки, пока он не зафиксируется.

Внимание: Устройство не начнет работу, если обод чаши (6) открыт / не был правильно зафиксирован или чаша (2) находится в нижнем положении.

е) Установите таймер, скорость и запустите устройство

1. Устройство может работать с установленным таймером (временем работы) или без него.

а) Работа с установленным таймером:

Нажмите соответствующую кнопку Time + (8a) или Time- (8b), чтобы увеличить или уменьшить значение времени. Для подтверждения нажмите красный переключатель ON/OFF (11).

На дисплее (10) появится заданное время и будет мигать точка.



б) Работа без установленного таймера:

Устройство автоматически выключается через 10 минут (время работы по умолчанию установлено по таймеру).

Внимание: i) Максимальное время работы (установка таймера) составляет 60 минут. По умолчанию время работы составляет 10 минут.

ii) Нажмите и придержите кнопку Time+ (8a) или Time- (8b) для более быстрого изменения значения заданного времени.

2. Затем выберите необходимую скорость перемешивания с помощью ручки регулятора скорости (7). Для выбора имеются три скорости: низкая (1), средняя (2) и высокая (3).

Скорость смешивания	Вид ингредиента
1 (низкая)	тяжелый: Смешивание теста для пиццы, хлеба, макаронных изделий
2 (средняя)	средне-тяжелый: Второй этап смешивания, например, тесто для хлебобулочных изделий и т.д.
3 (высокая)	легкий: Взбивание сливок, белков, безе.

ВАЖНАЯ ИНФОРМАЦИЯ: ВСЕГДА используйте рекомендованный аксессуар и скорость установки в соответствии с таблицей ёмкости.

ВНИМАНИЕ: При пересыпке ингредиентов в чашу (2), обращайтесь внимание на пыль и муку, выходящих из открытых упаковок. В случае необходимости, оденьте защитные очки.

3. Затем нажмите красный выключатель ON/OFF (11), расположенный на панели управления (9), чтобы включить устройство. Нажмите кнопку ON/OFF еще раз, чтобы его выключить. Устройство начнет перемешивание в направлении по часовой стрелке.

4. **ВНИМАНИЕ!** Перед изменением скорости ВСЕГДА сначала остановите устройство. Изменение скорости без остановки устройства может привести к повреждению внутренней конструкции устройства.

5. Для того, чтобы изменить скорость во время работы:

- Нажмите красный выключатель ON/OFF (11), расположенный на панели управления (9), чтобы выключить устройство.
- Выберите подходящую скорость перемешивания с помощью ручки управления скоростью (7).
- Нажмите красный выключатель ON/OFF (11), расположенный на панели управления (9) для повторного включения устройства.

Сброс теплового предохранителя (защита от перегрева)

Следует помнить, что кнопка RESET теплового предохранителя (14) расположена в задней части устройства.

- Сначала отключите устройство от источника питания.

- Оставьте устройство остывать.
- Нажмите кнопку RESET (14) теплового предохранителя (защита от перегрева).
- Затем снова подключите устройство к источнику питания и включите.

Таблица ёмкости, определяющая максимальное количество ингредиентов

Таблица, представленная ниже, имеет условный характер и определяет максимальное количество ингредиентов, которые могут быть использованы

для приготовления различных видов блюд. Есть целый ряд переменных факторов, например, тип используемой муки, температура воды и т.д.

Продукт	Аксессуар	Максимальное количество	
Яичный белок	Венчик	700 г	
Картофельное пюре	Плоская мешалка	1500 г	
Безе (количество воды)	Венчик	1 литр	
Тесто для блинов или вафель	Плоская мешалка	2 литра	
Взбитые сливки	Венчик	3 литра	
Тесто для пиццы (средняя густота, 50% воды)	Крюк для замеса теста, скорость 1	1500 г	
Тесто для пиццы (Густое, 60% воды)	Крюк для замеса теста, скорость 1	2 000 г	
Бисквит	Венчик, скорость 1	1 000 г	
Тесто для пирога	Плоская мешалка, скорость 1	1500 г	
Тесто для хлеба или булки (Лёгкое/Средней густоты, 60% воды)	Крюк для замеса теста, скорость 1	Вода 500 г	Мука 800 г



Очистка и техническое обслуживание

Замечание: Перед очисткой, техническим обслуживанием, ремонтом и размещением устройства на хранение, всегда отключайте устройство от электросети и подождите, пока оно остынет.

Очистка

- Перед чисткой устройства всегда отключайте аксессуары - в противном случае они могут заблокировать вал и их будет трудно вынуть.
- После каждого использования тщательно очистите устройство и аксессуары и убедитесь, что вы удалили все остатки пищи.
- Никогда не погружайте устройство в воду или другие жидкости.
- Поверхности устройства следует чистить влажной тканью или губкой с небольшим количеством раствора мягкого моющего средства.
- Для очистки внутренней поверхности и наружных частей устройства, никогда не используйте абразивные губки или абразивные моющие средства, а также губки с металлической мочалкой или металлический инструмент.
- НЕ мойте устройство водой или под сильной струей воды. Мытье устройства водой может привести к проникновению воды в электрические части и привести к поражению электрическим током.
- Детали устройства и аксессуары нельзя мыть в посудомоечной машине.

Рекомендуемый метод очистки устройства:

Детали	Очистка	Частота
Чаша	С помощью губки или влажной тряпки с небольшим количеством раствора мягкого моющего средства, промойте, дезинфицируйте и тщательно высушите.	Мойте после каждого использования.
Аксессуары (крюк для замеса теста, плоская мешалка и венчик)	Вымойте вручную губкой или влажной тканью с помощью раствора мягкого моющего средства, дезинфицируйте и тщательно высушите.	Мойте после каждого использования.
Обод чаши	Вымойте вручную губкой или влажной тканью с помощью раствора мягкого моющего средства, промойте, дезинфицируйте и тщательно высушите.	Мойте после каждого использования.
Наружная поверхность	Протрите тканью с помощью раствора мягкого моющего средства, промойте, дезинфицируйте и тщательно высушите. Для очистки не используйте струю воды.	Два раза в неделю
Вал планетарного механизма	Протрите тканью с помощью раствора мягкого моющего средства, промойте, дезинфицируйте и тщательно высушите.	Мойте после каждого использования.

Хранение

- Перед помещением на хранение, убедитесь, что устройство отключено от сети и полностью остыло.
- Храните устройство в холодном, чистом и сухом месте.

Поиск и устранение неисправностей

Если устройство не работает должным образом, обратитесь к приведенной ниже таблице, чтобы найти правильное решение. Если вы не можете решить проблему, обратитесь к поставщику. НИКОГДА не выполняйте ремонт самостоятельно.

Проблема	Возможная причина	Возможное решение
Устройство не включается	Обод чаши (6) не находится в правильном (зафиксированном) положении.	Поверните обод чаши (6) вправо, пока он не будет в правильном (зафиксированном) положении.
	Чаша (2) не была достаточно поднята и не находится в правильном положении.	Поднимите чашу (2) до правильного положения с помощью рычага (12).
	Вилка неправильно подключена к источнику питания.	Проверьте, правильно ли вилка подключена к источнику питания.
Устройство останавливается во время работы.	Сработала внутренняя защита от перегрева.	Выключите устройство с помощью выключателя (11), а затем нажмите на кнопку RESET (14), расположенную в задней части устройства.
	Поврежден или изношен зубчатый ремень.	Обратитесь к поставщику.
Устройство работает слишком громко	Устройство не стоит на горизонтальной поверхности.	Установите поверхность горизонтально или перенесите устройство на другую горизонтальную поверхность.
	Чаша (2) не правильно установлена в кронштейне.	Убедитесь, что чаша (2) правильно установлен в кронштейне (15), с правильно расположенными стопорными штифтами (3).
	Аксессуары не были правильно установлены.	Выньте аксессуары и установите их правильно.
	Слишком много ингредиентов в чаше.	Следует уменьшить количество ингредиентов.
	Поврежден или изношен зубчатый ремень.	Обратитесь к поставщику.
	Планетарная передача должна быть смазана.	
Трудная установка аксессуаров в планетарном валу.	Планетарный вал недостаточно смазан и / или требует очистки.	Планетарный вал протрите чистой влажной тканью и смажьте вал при помощи минерального масла или смазки.
Рычаг для подъема/ опускания чаши (12) заедает.	Недостаточное количество смазки на сторонах чаши.	Смажьте стороны миски минеральным маслом или смазкой.

Техническая характеристика

№ продукта: 222829

Рабочее напряжение и частота: 220- 230V~ 50/60Гц

Потребляемая мощность: 650Вт

Степень защиты: I Класс

Класс влагозащиты: IP21

Максимальная производительность: 7 литров
(800 г муки + 500 г воды)

Скорость вращения (об./мин): Плоская мешалка

(250); крюк для замеса теста (128); венчик (540)

Размеры: 240x420x(H)425мм

Вес нетто: прим. 21кг

Уровень шума: < 70 дБ (А)

Внимание: Техническая характеристика может быть изменена без предварительного уведомления.



Сборочный чертёж и список деталей

- Сборочный чертёж и список частей состоит из 4 основных частей:
- Основной корпус устройства (Рис. 1);

- Узел передачи (Рис. 2);
- Узел подъема чаши (Рис. 3);
- Обод чаши и вращающаяся ось (Рис. 4).

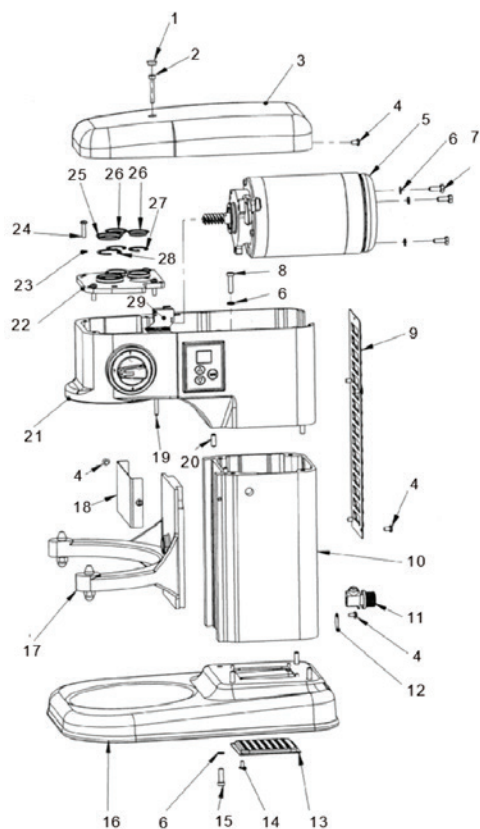


Рис. 1 Основной корпус устройства

Список деталей устройства, указанных на Рис. 1

№ части	Название части	Количество
1	Накладка винта	1
2	Верхний винт крышки	1
3	Верхняя крышка	1
4	Винты M5x8	10
5	Двигатель в сборе	1
6	Упругая шайба	7
7	Винты M6x16	3
8	Винты M6x20	4
9	Задняя крышка	1
10	Стойка	1
11	Соединение кабеля	1
12	Заземление	1
13	Крышка вентиляционных отверстий	1
14	Винты M4x8	4
15	Винты M6x20	4
16	Крышка основания	1
17	Кронштейн чаши	1
18	Скользкая крышка контейнера	1
19	Соединительный стержень	1
20	Болт 6x18	1
21	Верхний корпус	1
22	Крышка подшипника	1
23	Упругая шайба	4
24	Винты M5x20	6
25	Крышка центральной оси	1
26	Крышка оси передачи	2
27	Подкладка Ø26	2
28	Подкладка Ø32	2
29	Пластина крышки переключателя	1

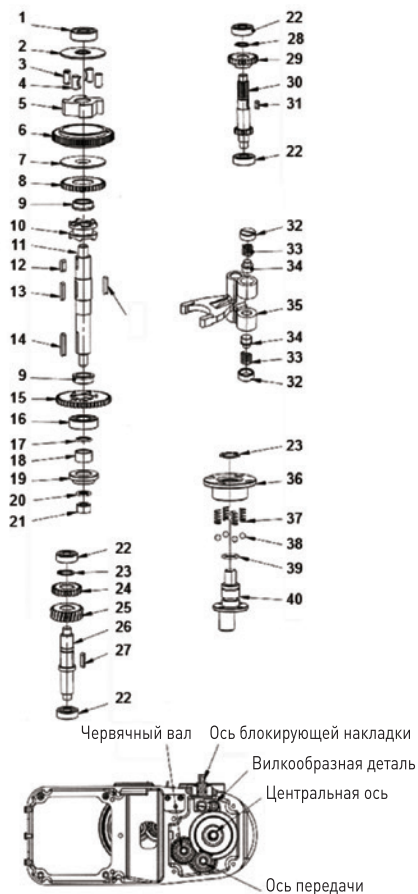


Рис. 2: Узел передачи

Список деталей устройства, указанных на Рис. 2

№ части	Название части	Количество
1	Подшипник	1
2	Накладка	1
3	Цилиндры	4
4	Пружины	4
5	Соединительный элемент	1
6	Кольцо передачи	1
7	Разделительное кольцо	1
8	Зубчатое колесо	1
9	Кольцо подшипника	2
10	Ниппель	1
11	Центральная ось	1
12	Шпонка 5x14	1
13	Шпонка 4x22	2
14	Шпонка t 4x28	1
15	Зубчатое колесо	1
16	Подшипник	1
17	Центрирующее кольцо 16x1,8	1
18	Втулка центральной оси	1
19	Большая втулка зубчатого колеса	1
20	Кольцо пружины Ø10	1
21	Гайка [M10]	1
22	Подшипник	4
23	Стопорное кольцо Ø16	2
24	Передача	1
25	Червячная передача	1
26	Ось червячной передачи	1
27	Шпонка 4x18	1
28	Кольцо пружины Ø13	1
29	Шестерня высокой скорости	1
30	Ось передачи	1
31	Шпонка t 4x10	1
32	Гайка вилкообразной детали	2
33	Пружина вилкообразной детали	2
34	Малые оси вилкообразной детали	2
35	Жесткий кронштейн	1
36	Блокирующая накладка	1
37	Пружины	4
38	Стальной шарик	4
39	Уплотнительное кольцо	1
40	Ось блокирующей накладки	1



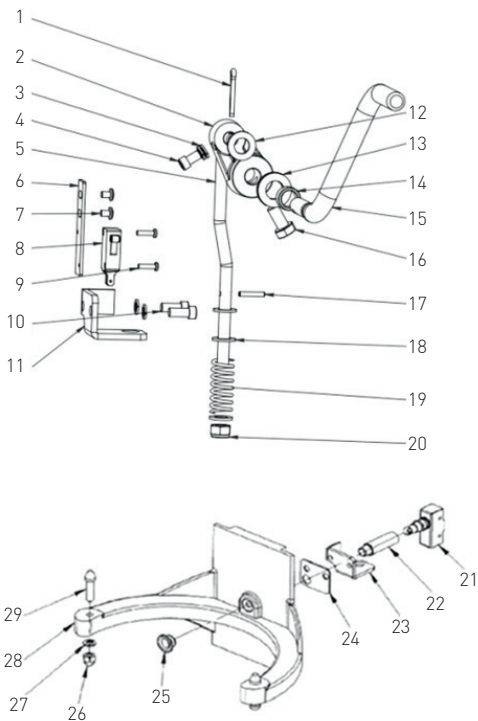


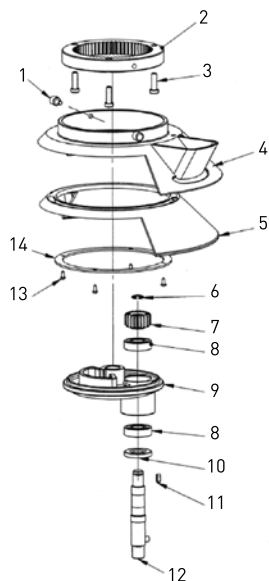
Рис. 3: Узел подъема чаши

Список деталей устройства, указанных на Рис. 3

№ части	Название части	Количество
1	Болт 3X16	1
2	Элемент крепления рычага	1
3	Гайка 6	1
4	Винты М6х10	1
5	Подъемный стержень	1
6	Кронштейн микровыключателя	1
7	Винты М4х6	2
8	Микропереключатель	1
9	Винты М3х12	2
10	Винты М6х14	2
11	Опорная плита подъемного стержня	1
12	Плоская шайба 10	1
13	Плоская шайба 12	2
14	Втулка	1
15	Держатель	1
16	Винты М8х16	1
17	Штифт пружинный цилиндрический (3X18)	1
18	Плоская шайба 8	3
19	Пружина	1
20	Гайка [М8]	1
21	Микропереключатель	1
22	Соединение переключателя	1
23	Кронштейн переключателя	1
24	Направляющая переключателя	1
25	Накладка ручки	1
26	Гайка	2
27	Упругая шайба	2
28	Плечо кронштейна чаши	1
29	Стопорные штифты	2

RU



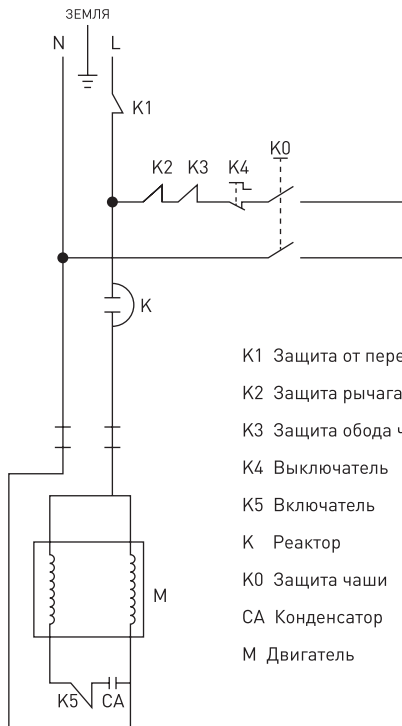


Список деталей устройства, указанных на Рис. 4

№ части	Название части	Количество
1	Вкладыш	2
2	Внутренняя передача	1
3	Винты М6х20	4
4	Внешняя сторона обода чаши	1
5	Внутренняя сторона обода чаши	1
6	Упругая шайба Ø12	1
7	Планетарная передача	1
8	Подшипник	1
9	Поворотная плита	1
10	Масляное уплотнительное кольцо	1
11	Болт 4х10	1
12	Ось смесителя	1
13	Винты	4
14	Кольцо обода чаши	1

Рис. 4: Обод чаши и вращающаяся ось

Схема Цепи



K1 Защита от перегрузки (защита от перегрева)

K2 Защита рычага, поднимающего чашу

K3 Защита обода чаши

K4 Выключатель

K5 Включатель

K Реактор

K0 Защита чаши

CA Конденсатор

M Двигатель



Гарантия

Любая неподелка или поломка, которая влечет за собой неправильную работу устройства, которая будет выявлена в течение первого года от даты покупки, будет устранена бесплатно, или же все устройство будет заменено новым, если оно эксплуатировалось и обслуживалось согласно инструкции по обслуживанию и не использовалось неправильно, или в разрез с назначением. Данное положение ни в коей мере не нарушает иных прав потребителя, изложенных в законо-

дательстве. В случае заявления устройства в ремонт или на замену в рамках гарантии, следует указать место и дату покупки устройства и приложить счет, или чековую квитанцию.

Согласно нашей политике совершенствования наших продуктов оставляем за собой право на внос изменений в конструкцию, упаковку и в технические параметры, указываемые в технической документации без предупреждения.

Утилизация и защита окружающей среды

В случае вывода оборудования из эксплуатации, продукт нельзя утилизировать вместе с другими бытовыми отходами. Пользователь несет ответственность за передачу оборудования в соответствующий пункт приема техники бывшей в употреблении. Несоблюдение вышеуказанного положения может привести к наложению штрафов в соответствии с действующими правилами в отношении утилизации отходов. Селективный сбор и утилизация использованного оборудования способствуют сохранению природных

ресурсов и обеспечивают рециркуляцию таким образом, который не вреден для здоровья и окружающей среды. Для получения дополнительной информации о том, где можно отдать использованное оборудование для утилизации, обратитесь в местную компанию по сбору отходов. Производитель и импортер не несут ответственности за рециркуляцию и переработку отходов экологически безопасным способом, как непосредственно, так и в рамках государственной системы.

Αγαπητέ πελάτη,

Ευχαριστούμε που αγοράσατε αυτό το προϊόν HENDI. Διαβάστε προσεκτικά το παρόν εγχειρίδιο πριν συνδέσετε τη συσκευή, προκειμένου να προλάβετε πιθανή βλάβη που μπορεί να οφείλεται σε λαν- θασμένη χρήση. Διαβάστε ιδίως τους κανονισμούς ασφαλείας πολύ προσεκτικά.

Κανονισμοί ασφαλείας


- Η συσκευή δεν ενδείκνυται για οικιακή χρήση.
- Η συσκευή πρέπει να χρησιμοποιείται μόνο για τον σκοπό για τον οποίο προορίζεται και σχεδιάστηκε. Ο κατασκευαστής δεν ευθύνεται για τυχόν ζημιές που προκλήθηκαν από εσφαλμένη λειτουργία και ακατάλληλη χρήση.
- Κρατήστε τη συσκευή και το βύσμα μακριά από νερό και άλλα υγρά. Σε περίπτωση που η συσκευή πέσει μέσα σε νερό, αφαιρέστε αμέσως το βύσμα από την πρίζα και μην τη χρησιμοποιήσετε μέχρι να ελεγχθεί η συσκευή από πιστοποιημένο τεχνικό. Η μη τήρηση των οδηγιών ενδέχεται να προκαλέσει κίνδυνο προς τη ζωή.
- Μην επιχειρήσετε ποτέ να ανοίξετε μόνοι σας το περίβλημα της συσκευής.
- Μην εισάγετε αντικείμενα στο περίβλημα της συσκευής.
- Μην αγγίζετε το βύσμα με υγρά χέρια.
- ⚡ **Κίνδυνος ηλεκτροπληξίας!** Μην επιχειρήσετε να επισκευάσετε μόνοι σας τη συσκευή. Σε περίπτωση δυσλειτουργίας, οι επισκευές πρέπει να διενεργούνται μόνο από εξειδικευμένο προσωπικό.
- **Μην χρησιμοποιείτε ποτέ συσκευή με βλάβη!** Σε περίπτωση βλάβης, αποσυνδέστε τη συσκευή από την πρίζα και επικοινωνήστε με τον πωλητή.
- **Προειδοποίηση!** Μην βυθίζετε τα ηλεκτρικά μέρη της συσκευής σε νερό ή άλλα υγρά. Μην βάζετε ποτέ τη συσκευή κάτω από τρεχούμενο νερό.
- Ελέγχετε τακτικά το βύσμα και το καλώδιο τροφοδοσίας για τυχόν ζημιές. Εάν το βύσμα ή το καλώδιο τροφοδοσίας είναι κατεστραμμένο, πρέπει να αντικατασταθεί από τεχνικό σέρβις ή εξειδικευμένα άτομα για την αποφυγή τυχόν κινδύνου ή τραυματισμού.
- Βεβαιωθείτε ότι το καλώδιο δεν έρχεται σε επαφή με αιχμηρά ή θερμά αντικείμενα και κρατήστε το μακριά από φωτιά. Για να βγάλετε το βύσμα από την πρίζα, να τραβάτε πάντα το βύσμα και όχι το καλώδιο.
- Βεβαιωθείτε ότι το καλώδιο (ή το καλώδιο επέκτασης) είναι τοποθετημένο έτσι ώστε να μην προκαλέσει κίνδυνο να σκοντάψει κανείς.
- Να προσέχετε πάντα τη συσκευή κατά τη χρήση.
- **Προειδοποίηση!** Όσο το βύσμα είναι στην πρίζα, η συσκευή είναι συνδεδεμένη στην πηγή τροφοδοσίας.
- Απενεργοποιήστε τη συσκευή πριν τραβήξετε το βύσμα από την πρίζα.
- Ποτέ μην μεταφέρετε τη συσκευή από το καλώδιο.
- Μην χρησιμοποιείτε συσκευές που δεν παρέχονται μαζί με τη συσκευή.
- Συνδέστε τη συσκευή μόνο σε ηλεκτρική πρίζα με τάση και συχνότητα που αναφέρονται στην ετικέτα της συσκευής.

GR



- Συνδέστε το βύσμα σε μια εύκολα προσβάσιμη ηλεκτρική πρίζα έτσι ώστε σε περίπτωση έκτακτης ανάγκης η συσκευή να μπορεί να αποσυνδεθεί αμέσως. Για να απενεργοποιήσετε πλήρως τη συσκευή, βγάλτε το βύσμα από την πρίζα.
- Απενεργοποιείτε πάντα τη συσκευή πριν αποσυνδέσετε το βύσμα.
- Μην χρησιμοποιείτε ποτέ εξαρτήματα διαφορετικά από αυτά που συνιστώνται από τον κατασκευαστή. Σε αντίθετη περίπτωση, μπορεί να δημιουργηθεί κίνδυνος για τον χρήστη και να προκληθεί ζημιά στη συσκευή. Χρησιμοποιείτε μόνο αυθεντικά εξαρτήματα και αξεσουάρ.
- Αυτή η συσκευή δεν προορίζεται για χρήση από άτομα (συμπεριλαμβανομένων παιδιών) με μειωμένες σωματικές, αισθητήριες ή διανοητικές ικανότητες ή με έλλειψη πείρας και γνώσης.
- Αυτή η συσκευή δεν πρέπει, σε καμία περίπτωση, να χρησιμοποιείται από παιδιά.
- Κρατήστε τη συσκευή και το καλώδιο μακριά από παιδιά.
- Να αποσυνδέετε πάντα τη συσκευή από το ρεύμα εάν αφήνεται χωρίς επιτήρηση ή δεν χρησιμοποιείται και πριν από εργασίες συναρμολόγησης, αποσυναρμολόγησης ή καθαρισμού.
- Μην αφήνετε ποτέ τη συσκευή χωρίς επιτήρηση ενώ βρίσκεται σε λειτουργία.

Ειδικοί κανονισμοί ασφαλείας

- Χρησιμοποιείτε τη συσκευή μόνο όπως περιγράφεται στο παρόν εγχειρίδιο.
- Η συσκευή πρέπει να χρησιμοποιείται και να τοποθετείται από εξειδικευμένο και εκπαιδευμένο προσωπικό κουζινών του κλάδου της εστίασης, όπως υπηρεσίες τροφοδοσίας, φούρνους, πιτσαρίες, ζαχαροπλαστεία κλπ.
- Όλες οι εργασίες συντήρησης, εγκατάστασης και επισκευής πρέπει να εκτελούνται από εξειδικευμένους και εξουσιοδοτημένους τεχνικούς.
-  Στην πίσω πλευρά της συσκευής υπάρχει ένα τερματικό ισοδυναμικής σύνδεσης που επιτρέπει τη σύνδεση με άλλο εξοπλισμό.
- Μην τοποθετείτε τη συσκευή επάνω σε αντικείμενα θέρμανσης (ηλεκτρικό φούρνο, ψησταριά κλπ). Διατηρείτε τη συσκευή μακριά από θερμές επιφάνειες και ανοικτές φλόγες. Χρησιμοποιείτε πάντα τη συσκευή σε επίπεδη, σταθερή, καθαρή, στεγνή και ανθεκτική στη θερμότητα επιφάνεια.
- Μην χρησιμοποιείτε τη συσκευή κοντά σε εκρηκτικά ή εύφλεκτα υλικά, πιστωτικές κάρτες, μαγνητικούς δίσκους ή ραδιόφωνα.
- Κατά τη διάρκεια λειτουργίας της συσκευής, να φοράτε προστατευτική ενδυμασία, μάσκα ή προστατευτικά γυαλιά, εάν είναι απαραίτητο.
- Η συσκευή δεν προορίζεται για λειτουργία μέσω εξωτερικού χρονοδιακόπτη ή ξεχωριστού συστήματος τηλεχειρισμού.
- Μην παρακάμπτετε τις συνδέσεις ασφαλείας της συσκευής.
- **ΠΡΟΕΙΔΟΠΟΙΗΣΗ:** Απομακρύνετε όλα τα εμπόδια γύρω από όλα τα ανοίγματα εξαερισμού της συσκευής.
- **ΠΡΟΕΙΔΟΠΟΙΗΣΗ:** Πριν από τον καθαρισμό, τη συντήρηση ή την αντικατάσταση εξαρτημάτων, να απενεργοποιείτε **ΠΑΝΤΑ** τη συσκευή και να την αποσυνδέετε από την παροχή ρεύματος.

- Αφήστε τουλάχιστον 30 cm ελεύθερο χώρο γύρω από τη συσκευή για λόγους αερισμού κατά τη χρήση.
- **Προσοχή!** Στερεώστε, εάν είναι απαραίτητο, το καλώδιο τροφοδοσίας για να αποφύγετε τυχόν ακούσιο τράβηγμα ή επαφή με καυτή επιφάνεια.
- **ΠΡΟΕΙΔΟΠΟΙΗΣΗ!** Διατηρείτε **ΠΑΝΤΑ** χέρια, μακριά μαλλιά και ενδύματα μακριά από τα κινούμενα μέρη.
- Μην τοποθετείτε τα χέρια σας μέσα στην προστατευόμενη περιοχή και τον κάδο ανάμιξης, ενώ η συσκευή είναι σε λειτουργία.
- Μην προσθέτετε υπερβολική ποσότητα υλικών προκειμένου να αποφευχθεί τυχόν η υπερχειλίση τους. Η μέγιστη χωρητικότητα του κάδου είναι 10 λίτρα για το 222836, 222966 και 20 λίτρα για το 222843, 222973.
- Μην πλένετε τη συσκευή με νερό ή εκτοξευτήρα νερού. Το πλύσιμο με νερό μπορεί να προκαλέσει διαρροές και να αυξήσει τον κίνδυνο ηλεκτροπληξίας. Τα εξαρτήματα δεν είναι κατάλληλα για πλυντήριο πιάτων.
- Μην καθαρίζετε ή αποθηκεύετε τη συσκευή εάν δεν έχει κρυώσει τελείως.
- Πρέπει να δίνεται ιδιαίτερη προσοχή κατά τη μετακίνηση ή τη μεταφορά της συσκευής λόγω του μεγάλου βάρους της. Η μετακίνηση να γίνεται από τουλάχιστον 2 άτομα ή με χρήση τροχήλατου. Μετακινείτε τη συσκευή αργά, προσεκτικά και ποτέ με κλίση άνω των 45°.

Προβλεπόμενη χρήση

- Η συσκευή ενδείκνυται για επαγγελματική χρήση και μπορεί να την χειρίζεται μόνο εξειδικευμένο προσωπικό.
- Η συσκευή είναι σχεδιασμένη μόνο για ανάμιξη, ζύμωμα και γαλακτωματοποίηση/χτύπημα προϊόντων φαγητού για χρήση στον κλάδο παραγωγής τροφίμων και εστίασης. Οποιαδήποτε άλλη χρήση

μπορεί να προκαλέσει ζημιά στη συσκευή ή τραυματισμό.

- Η χρήση της συσκευής για οποιονδήποτε άλλο σκοπό θεωρείται εσφαλμένη. Ο χρήστης είναι αποκλειστικά υπεύθυνος για την μη κατάλληλη χρήση της συσκευής.

Γείωση

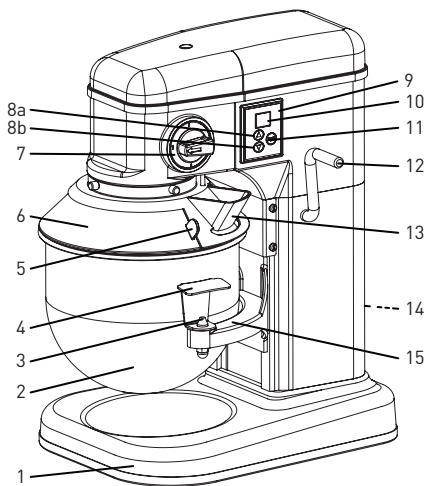
Αυτή η συσκευή ταξινομείται στην κλάση προστασίας I και πρέπει να συνδέεται με γείωση προστασίας. Η γείωση μειώνει τον κίνδυνο ηλεκτροπληξίας παρέχοντας ένα καλώδιο διαφυγής για το ηλεκτρικό ρεύμα.

Αυτή η συσκευή είναι εξοπλισμένη με καλώδιο που φέρει καλώδιο και βύσμα γείωσης. Το βύσμα πρέπει να είναι συνδεδεμένο σε σωστά τοποθετημένη και γειωμένη πρίζα.

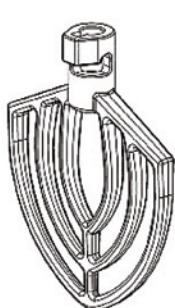


Κύρια μέρη της συσκευής

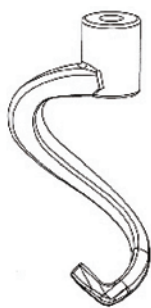
1. Βάση της συσκευής
2. Κάδος
3. Πείρι καθοδήγησης (x2)
4. Λαβές κάδου (x2)
5. Λαβή καπακιού κάδου
6. Καπάκι κάδου
7. Διακόπτης ταχύτητας
- 8a. Κουμπι αύξησης χρόνου
- 8b. Κουμπι μείωσης χρόνου
9. Πίνακας ελέγχου
10. Οθόνη ώρας
11. Κουμπι ON/OFF
12. Μοχλός ανύψωσης/χαμηλώματος κάδου
13. Ενσωματωμένος αγωγός προσθήκης υλικών
14. Κουμπι ΕΠΑΝΑΦΟΡΑΣ (στο πίσω μέρος της συσκευής)
15. Σύστημα στήριξης κάδου



Εξαρτήματα



Αναδευτήρας



Γάντζος ζύμης



Χτυπητήρι

Προετοιμασία πριν από την τοποθέτηση

- Ξεβιδώστε προσεκτικά τη συσκευή από τη βάση της, χρησιμοποιώντας ένα κλειδί αν χρειαστεί.
- Αφαιρέστε κάθε προστατευτική συσκευασία.
- Ελέγξτε εάν το προϊόν είναι πλήρες και για τυχόν ζημιές κατά τη μεταφορά. Σε περίπτωση μη ολοκληρωμένης παράδοσης (π.χ. απουσία χτυπητηριού, αναδευτήρα και γάντζου ζύμης) ή ζημιών, επικοινωνήστε με τον προμηθευτή. ΜΗΝ χρησιμοποιήσετε τη συσκευή. (Βλ. ==> Εγγύηση).
- Καθαρίστε τη συσκευή και τα εξαρτήματά της πριν την χρησιμοποιήσετε (Βλ. ==> Καθαρισμός και συντήρηση).
- Βεβαιωθείτε ότι η συσκευή είναι τελείως στεγνή.
- Φυλάξτε τη συσκευασία εάν σκοπεύετε να αποθηκεύσετε τη συσκευή σας στο μέλλον.

Τοποθέτηση

- Διαβάστε προσεκτικά το παρόν εγχειρίδιο πριν τοποθετήσετε και λειτουργήσετε τη συσκευή.
- Βεβαιωθείτε ότι η συσκευή έχει τοποθετηθεί σε στεγνή και χωρίς εμπόδια επιφάνεια που μπορεί να στηρίζει το βάρος της.
- Βεβαιωθείτε ότι η τροφοδοσία ρεύματος αντιστοιχεί με την ετικέτα βαθμονόμησης της συσκευής.
- Πρέπει να υπάρχει επαρκής χώρος γύρω από τη συσκευή για να μπορεί να κινείται άνετα ο χρήστης.

Μεταφορά και χειρισμός

- Μην μετακινείτε τη συσκευή ενώ λειτουργεί.
- Για να μετακινήσετε τη συσκευή, αποσυνδέστε την από το ρεύμα και αφαιρέστε τον κάδο (2) και όλα τα εξαρτήματα (χτυπητήρι, αναδευτήρα και γάντζο ζύμης).

Ειδικές λειτουργίες ασφαλείας

Προσοχή: Η συσκευή διαθέτει τους ακόλουθους 3 διακόπτες ασφαλείας. Η συσκευή πρέπει να τίθεται σε λειτουργία μόνο όταν όλοι οι διακόπτες ασφαλείας βρίσκονται στη θέση τους.

- Διακόπτης ασφαλείας θέσης κάδου: Η συσκευή μπορεί να τεθεί σε λειτουργία όταν ο κάδος τοποθετηθεί σωστά στη θέση του.
- Διακόπτης ασφαλείας καπακιού κάδου (5): Η συσκευή μπορεί να τεθεί σε λειτουργία όταν το καπάκι του κάδου (5) ασφαλίσει σωστά στη θέση του.
- Διακόπτης ασφαλείας μοχλού ανύψωσης (12):

Λειτουργία

Για την αποφυγή τραυματισμών:

- ΜΗΝ χρησιμοποιήσετε τη συσκευή εάν δεν έχετε διαβάσει το εγχειρίδιο οδηγιών.
- Πριν από τον καθαρισμό, τη συντήρηση ή την αντικατάσταση εξαρτημάτων, να απενεργοποιείτε ΠΑΝΤΑ τη συσκευή και να την αποσυνδέετε από την παροχή ρεύματος.

α) Το καπάκι του κάδου

Σημείωση: Εάν το καπάκι του κάδου (6) είναι ανοικτό ή δεν έχει ασφαλίσει σωστά στη θέση κλειδώματος, η συσκευή δεν μπορεί να ξεκινήσει να λειτουργεί.

1. Για να ανοίξετε το καπάκι (6), περιστρέψτε το δεξιόστροφα κρατώντας το από τη λαβή (5). Για να κλείσετε το καπάκι (6), περιστρέψτε το αριστερόστροφα κρατώντας το από τη λαβή (5).

Ο χώρος πρέπει να είναι καθαρός και χωρίς εμπόδια, π.χ. να μην τοποθετείται κανένα αντικείμενο κοντά στη συσκευή, όπως μαχαίρια κλπ.

- Μην φοράτε χαλαρά ρούχα, όπως φουλάρια κλπ και δένετε τα μαλλιά σας, διατηρώντας τα μακριά από τα κινούμενα εξαρτήματα.

ΠΡΟΣΟΧΗ! Ποτέ μην παρακάμψετε κανέναν διακόπτη ασφαλείας.

- Κρατάτε τη συσκευή από τη βάση της (1) για καλύτερη στήριξη.
- Η μετακίνηση να γίνεται από τουλάχιστον 2 άτομα ή με χρήση τροχήλατου λόγω του μεγάλου βάρους της.

Η συσκευή μπορεί να τεθεί σε λειτουργία όταν ο μοχλός ανύψωσης (12) τοποθετηθεί στη θέση ανύψωσης.

Μην φοράτε χαλαρά ρούχα, όπως φουλάρια κλπ και δένετε τα μαλλιά σας, διατηρώντας τα μακριά από τα κινούμενα εξαρτήματα.

- Διατηρείτε ΠΑΝΤΑ χέρια, μακριά μαλλιά και ενδύματα μακριά από τα κινούμενα μέρη.

2. Όταν η λαβή (5) είναι ευθυγραμμισμένη στη δεξιά πλευρά της συσκευής, το καπάκι (6) βρίσκεται στη θέση κλειδώματος και η συσκευή είναι έτοιμη για λειτουργία.



Β) Τοποθέτηση του κάδου (2)

Σημείωση: Τοποθετήστε τον κάδο (2) ΠΡΙΝ τοποθετήσετε τα εξαρτήματα. Χρησιμοποιείτε μόνο τον παρεχόμενο κάδο (2).

1. Χαμηλώστε τον κάδο τραβώντας μέχρι κάτω τον μοχλό ανύψωσης (12). Το σύστημα στήριξης κάδου (15) πρέπει να βρίσκεται στη θέση χαμηλώματος.

γ) Τοποθέτηση των εξαρτημάτων (χτυπητήρι, αναδευτήρας και γάντζος ζύμης)

Σημείωση: Συνιστάται να τοποθετείτε τα εξαρτήματα πριν τοποθετήσετε τα υλικά μέσα στον κάδο (2).

1. Περιστρέψτε δεξιόστροφα το καπάκι του κάδου (6) για να το ανοίξετε.
2. **ΠΡΟΣΟΧΗ!** Η άσκηση υπερβολικής πίεσης κατά το άνοιγμα ή το κλείσιμο του καπακιού (6) μπορεί να προκαλέσει βλάβη στον μικροδιακόπτη ασφαλεί-

2. Τοποθετήστε τον κάδο (2) προσεκτικά κρατώντας τον και από τις δύο λαβές (4) και

- i) Με τον πείρο κλειδώματος στην οπή στη μέση του συστήματος στήριξης κάδου (15).
- ii) Ευθυγραμμίστε με τους πείρους καθοδήγησης στις 2 πλευρές της βάσης κάδου (15).



ας. Να είστε ιδιαίτερα προσεκτικοί όταν ανοίγετε ή κλείνετε το καπάκι (6).

3. Σπρώξτε τα εξαρτήματα (χτυπητήρι, γάντζο ζύμης ή αναδευτήρα) αργά προς τα πάνω, στον πλανητικό άξονα, προσαρμόζοντας τον πείρο του άξονα στα εξαρτήματα.
4. Περιστρέψτε τα εξαρτήματα για να ασφαλίσετε στον πλανητικό άξονα.

Δ) Τοποθέτηση και ανάμιξη των υλικών

Σημείωση: Ανατρέξτε στον πίνακα «Χωρητικότητα υλικών ανάμιξης» που περιλαμβάνεται στο εγχειρίδιο. Η υπερφόρτωση θα προκαλέσει υπερχειλίση ή ζημιά στη συσκευή.

ΣΗΜΑΝΤΙΚΟ: Βεβαιωθείτε ότι ο διακόπτης ταχύτητας (7) είναι στη θέση 1.

1. Προσθέστε στον κάδο (2) όλα τα υλικά.

2. Ανασπώστε προς τα πάνω τον μοχλό ανύψωσης (12) μέχρι ο κάδος (2) να ασφαλίσει στη θέση του.

3. Περιστρέψτε αριστερόστροφα το καπάκι (6) μέχρι να ασφαλίσει στη θέση του.

Προσοχή: Η συσκευή δεν θα ξεκινήσει να λειτουργεί εάν το καπάκι (6) είναι ανοικτό/δεν έχει ασφαλίσει σωστά στη θέση του ή εάν ο κάδος (2) δεν βρίσκεται σε θέση ανύψωσης.

ε) Ρύθμιση χρόνου, ταχύτητας και εκκίνηση της συσκευής

1. Μπορείτε να ρυθμίσετε τον κατάλληλο χρόνο ανάμιξης ή να ξεκινήσετε τη λειτουργία της συσκευής χωρίς να ορίσετε χρόνο ανάμιξης.

α) Λειτουργία με χρονόμετρο:

Πατήστε το κουμπί Ώρα + (8a) για να αυξήσετε τον χρόνο ανάμιξης ή το κουμπί Ώρα - (8b) για να μειώσετε τον χρόνο ανάμιξης. Πατήστε το κόκκινο κουμπί ON/OFF (11) για επιβεβαίωση. Ο χρόνος που απομένει θα εμφανίζεται στην οθόνη (10), με κουκκίδες να αναβοσβήνουν.



β) Λειτουργία χωρίς χρονόμετρο:

Η συσκευή θα απενεργοποιηθεί αυτόματα σε 10 λεπτά, καθώς ο προεπιλεγμένος χρόνος ανάμιξης είναι 10 λεπτά.

Σημείωση: i) Ο μέγιστος χρόνος ανάμιξης είναι 60 λεπτά. Ο προεπιλεγμένος χρόνος ανάμιξης είναι 10 λεπτά.

ii) Για γρήγορη ρύθμιση του χρόνου ανάμιξης, πιέστε παρατεταμένα το κουμπί αύξησης + (8a) ή μείωσης (8b) του χρόνου.

2. Στη συνέχεια, επιλέξτε την κατάλληλη ταχύτητα περιστρέφοντας τον διακόπτη ταχύτητας (7). Υπάρχουν τρεις σταθερές ταχύτητες: η πρώτη (1), η δεύτερη (2) και η τρίτη (3).

Ταχύτητα ανάμιξης

Υλικά

- | | |
|------------|---|
| 1 (Χαμηλή) | Σκληρά υλικά: Ζύμη για πίτσα, ψωμί και ζυμαρικά |
| 2 (Μεσαία) | Μέτρια υλικά: 2ο στάδιο ανάμιξης για ζύμη λουκουμάδων κλπ |
| 3 (Υψηλή) | Μαλακά υλικά: Χτύπημα κρέμας, σπαραγδιών, μαρέγκας |

ΣΗΜΑΝΤΙΚΟ: Χρησιμοποιείτε ΠΑΝΤΑ το εξάρτημα και την ταχύτητα που συνιστώνται στον πίνακα χωρητικότητας.

ΠΡΟΣΟΧΗ: Προσέχετε τη σκόνη και το αλεύρι που διαρρέεται από τις σακούλες όταν προσθέτετε τα υλικά στον κάδο (2). Να φοράτε προστατευτική μάσκα ή γυαλιά, εάν είναι απαραίτητο.

3. Στη συνέχεια, πατήστε το κόκκινο κουμπί (ON / OFF) (11) στον πίνακα ελέγχου (9) για να ενεργοποιήσετε τη συσκευή. Πατήστε ξανά το κουμπί OFF για να απενεργοποιήσετε τη συσκευή. Η συσκευή περιστρέφεται δεξιόστροφα.

4. **ΠΡΟΣΟΧΗ!** Να ΔΙΑΚΟΠΤΕΤΕ ΠΑΝΤΑ τη λειτουργία

για της συσκευής ΠΡΟΤΟΥ αλλάξετε ταχύτητα. Διαφορετικά υπάρχει πιθανότητα βλάβης των εσωτερικών γραναζιών.

5. Για να αλλάξετε ταχύτητα κατά τη λειτουργία της συσκευής:

- α) Πατήστε το κόκκινο κουμπί (ON / OFF) (11) στον πίνακα ελέγχου (9) για να απενεργοποιήσετε τη συσκευή.
- β) Επιλέξτε τη νέα ταχύτητα περιστρέφοντας τον διακόπτη ταχύτητας (7).
- γ) Πατήστε το κόκκινο κουμπί (ON / OFF) (11) στον πίνακα ελέγχου (9) για να επανεκκινήσετε τη συσκευή.

ΕΠΑΝΑΦΟΡΑ της διάταξης περιορισμού (θερμική διακοπή)

Υπενθυμίζεται ότι στην πίσω πλευρά της συσκευής, βρίσκεται ένα κουμπί ΕΠΑΝΑΦΟΡΑΣ (RESET) (14) για την αποφυγή υπερθέρμανσης

- Αποσυνδέστε πρώτα τη συσκευή από την πρίζα.
- Αφήστε τη συσκευή να κρυώσει τελείως.

- Πατήστε το κουμπί ΕΠΑΝΑΦΟΡΑ (14) στη διάταξη περιορισμού (θερμική διακοπή).
- Στη συνέχεια, συνδέστε τη συσκευή στην πρίζα και ξεκινήστε την λειτουργία της.

Χωρητικότητα υλικών ανάμιξης

Ο παρακάτω πίνακας παρέχεται ως αναφορά σχετικά με τη μέγιστη χωρητικότητα διαφόρων υλικών στον κάδο. Η χωρητικότητα επηρεάζεται από πολλούς

παράγοντες, όπως ο τύπος αλευριού, η θερμοκρασία νερού κλπ.

Υλικό	Εξάρτημα	Μέγιστη ποσότητα
Ασπράδι	Χτυπητήρι	700g
Πουρές πατάτας	Αναδευτήρας	1.500g
Μαρέγκα (Ποσότητα νερού)	Χτυπητήρι	1 λίτρο
Ζύμη για βάφλες	Αναδευτήρας	2 λίτρα
Σαντιγί	Χτυπητήρι	3 λίτρα
Ζύμη για πίτσα (Μέτρια, 50% νερό)	Γάντζος ζύμης, ταχύτητα (1)	1.500g
Ζύμη για πίτσα (Σκληρή, 60% νερό)	Γάντζος ζύμης, ταχύτητα (1)	2.000g
Παντεσπάνι	Χτυπητήρι, ταχύτητα (1)	1.000g
Ζύμη για πίτα	Αναδευτήρας, ταχύτητα (1)	1.500g
Ζυμάρι για ψωμί ή ψωμάκια (Μαλακό/Μέτριο, 60% νερό)	Γάντζος ζύμης, ταχύτητα (1)	Νερό 500g Αλεύρι 800g

GR



Καθαρισμός και Συντήρηση

Προσοχή: Να αποσυνδέετε πάντα τη συσκευή από την πρίζα και να την αφήνετε να κρύνει τελείως πριν από εργασίες καθαρισμού, συντήρησης, επισκευής και πριν την αποθηκεύσετε.

Καθαρισμός

- Αφαιρείτε πάντα τα εξαρτήματα πριν τον καθαρισμό, διαφορετικά θα κολλήσουν στον άξονα και θα είναι δύσκολη η αφαίρεσή τους.
- Καθαρίζετε προσεκτικά τη συσκευή και τα εξαρτήματά της μετά από κάθε χρήση και βεβαιωθείτε ότι έχουν αφαιρεθεί όλα τα υπολείμματα από τα υλικά.
- Μην βυθίζετε ποτέ τη συσκευή σε νερό ή άλλα υγρά.
- Καθαρίζετε την επιφάνεια με ένα ελαφρώς υγρό πανί ή σφουγγάρι με λίγο ήπιο διάλυμα σαπουνιού.
- Μην χρησιμοποιείτε τριπτικά σφουγγάρια, απορρυπαντικά, σύρματα ή μεταλλικά μέσα για τον καθαρισμό των εσωτερικών ή εξωτερικών μερών του προϊόντος.
- ΜΗΝ πλένετε τη συσκευή με νερό ή εκτοξευτήρα νερού. Το πλύσιμο με νερό μπορεί να προκαλέσει διαρροές και να αυξήσει τον κίνδυνο ηλεκτροπληξίας.
- Κανένα εξαρτήματα ή μέρος της συσκευής δεν πλένεται στο πλυντήριο πιάτων.

Συνιστώμενη διαδικασία καθαρισμού:

Μέρη	Τρόπος καθαρισμού	Συχνότητα
Κάδος	Πλύσιμο στο χέρι με ένα σφουγγάρι ή ένα νωπό πανί, ένα ήπιο διάλυμα σαπουνιού και νερό. Ξεβγάλτε και στεγνώστε καλά.	Καθαρίζετε μετά από κάθε χρήση.
Εξαρτήματα (χτυπητήρι, αναδευτήρας και γάντζος ζύμης)	Πλύσιμο στο χέρι με ένα ήπιο διάλυμα σαπουνιού και νερό. Ξεβγάλτε και στεγνώστε καλά.	Καθαρίζετε μετά από κάθε χρήση.
Καπάκι κάδου	Πλύσιμο στο χέρι με ένα σφουγγάρι ή ένα νωπό πανί, ένα ήπιο διάλυμα σαπουνιού και νερό. Ξεβγάλτε και στεγνώστε καλά.	Καθαρίζετε μετά από κάθε χρήση.
Εξωτερική επιφάνεια	Πλύσιμο στο χέρι με ένα νωπό πανί, λίγο σαπούνι και νερό. Ξεβγάλτε και στεγνώστε καλά. Μην χρησιμοποιήσετε εκτοξευτήρα νερού.	Δύο φορές την εβδομάδα.
Πλανητικός άξονας	Πλύσιμο στο χέρι με ένα νωπό πανί, λίγο σαπούνι και νερό. Ξεβγάλτε και στεγνώστε καλά.	Καθαρίζετε μετά από κάθε χρήση.

Αποθήκευση

- Πριν αποθηκεύσετε την συσκευή, βεβαιωθείτε ότι έχει αποσυνδεθεί από την πρίζα και έχει κρύνσει πλήρως.
- Φυλάσσετε τη συσκευή σε δροσερό, καθαρό και στεγνό χώρο.

Αντιμετώπιση προβλημάτων

Αν η συσκευή δεν λειτουργεί σωστά, συμβουλευτείτε τον παρακάτω πίνακα για πιθανές λύσεις. Αν συνεχίσετε να μην μπορείτε να επιλύσετε το πρόβλημα, επικοινωνήστε με τον προμηθευτή/πάροχο σέρβις. ΜΗΝ επισκευάζετε τη συσκευή μόνοι σας.

Προβλήματα	Πιθανές αιτίες	Πιθανή λύση
Η συσκευή δεν λειτουργεί.	Το καπάκι (6) δεν έχει ασφαλίσει σωστά στη θέση του.	Περιστρέψτε δεξιόστροφα το καπάκι (6) μέχρι να ασφαλίσει σωστά στη θέση του.
	Ο κάδος (2) δεν ανυψώνεται στην κατάλληλη θέση.	Ανυψώστε τον κάδο (2) στη σωστή θέση χρησιμοποιώντας τον μοχλό (12).
	Το φινιρίσμα δεν είναι συνδεδεμένο σωστά.	Βεβαιωθείτε ότι το φινιρίσμα είναι συνδεδεμένο σωστά.
Η συσκευή σταματά ξαφνικά να λειτουργεί.	Έχει ενεργοποιηθεί η προστασία εσωτερικής υπερφόρτωσης για την αποφυγή υπερθέρμανσης.	Πατήστε το κουμπί OFF (11) και, στη συνέχεια, το κουμπί ΕΠΑΝΑΦΟΡΑΣ (14) στο πίσω μέρος της συσκευής.
	Ο ιμάντας μεταφοράς έχει φθαρεί ή έχει χαλαρώσει.	Επικοινωνήστε με τον προμηθευτή σας.
Η συσκευή κάνει πολύ θόρυβο.	Η συσκευή δεν έχει τοποθετηθεί σε οριζόντια επιφάνεια.	Μετακινήστε τη συσκευή σε άλλη οριζόντια επιφάνεια.
	Ο κάδος (2) δεν έχει τοποθετηθεί σωστά.	Βεβαιωθείτε ότι ο κάδος (2) έχει τοποθετηθεί σωστά στο σύστημα στήριξης κάδου (15) με τους πείρους καθοδήγησης (3).
	Δεν έχουν τοποθετηθεί σωστά τα εξαρτήματα.	Αφαιρέστε τα και τοποθετήστε τα ξανά.
	Ο κάδος έχει υπερφορτωθεί.	Μειώστε την ποσότητα των υλικών.
	Ο ιμάντας μεταφοράς έχει φθαρεί ή έχει χαλαρώσει.	Επικοινωνήστε με τον προμηθευτή σας.
	Το γρανάζι του πλανητικού άξονα χρειάζεται λιπαντικό.	
Τα εξαρτήματα δεν μπορούν να τοποθετηθούν εύκολα στον πλανητικό άξονα.	Έλλειψη λιπαντικού ή/και απαιτείται καθαρισμός του πλανητικού άξονα.	Σκουπίστε τον πλανητικό άξονα με ένα καθαρό, υγρό πανί και λιπάνετε τον με ορυκτό λάδι ή γράσο.
Ο μοχλός ανύψωσης/χαμηλώματος κάδου (12) δεν μετακινείται εύκολα.	Έλλειψη λιπαντικού στους ολισθητήρες του κάδου.	Λιπάνετε τους ολισθητήρες του κάδου με ορυκτό λάδι ή γράσο.

GR

Τεχνικές προδιαγραφές

Αρ. προϊόντος: 222829

Τάση και συχνότητα λειτουργίας: 220- 230V~ 50/60Hz

Ονομαστική ισχύς εισόδου: 650W

Κατηγορία προστασίας: Κατηγορία I

Κλάση προστασίας νερού: IP21

Μέγιστη χωρητικότητα: 7 λίτρα (800g αλεύρι + 500g νερό)

Ταχύτητα περιστροφής (rpm): Αναδευτήρας (250),

Γάντζος ζύμης (128), Χτυπητήρι (540)

Διαστάσεις: 240x420x(Y)425mm

Καθαρό βάρος: περ. 21 κιλά

Επίπεδο θορύβου: < 70 dB (A)

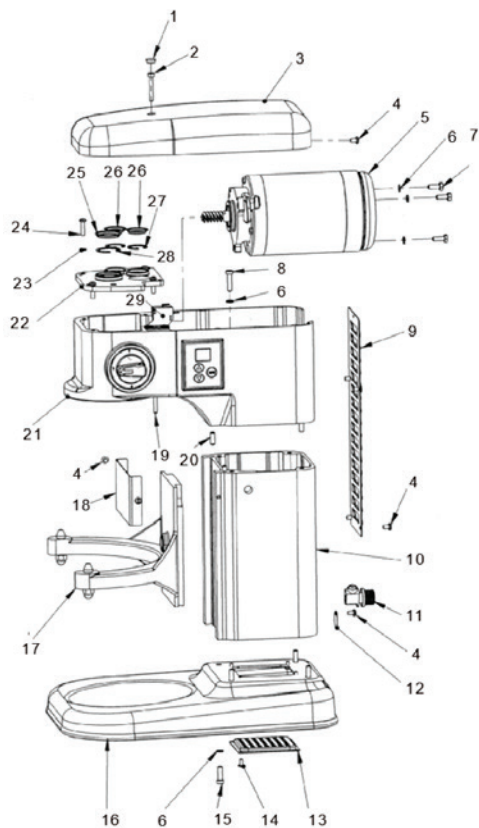
Σημείωση: Οι τεχνικές προδιαγραφές μπορούν να τροποποιηθούν χωρίς προηγούμενη ειδοποίηση.



Σχέδιο και κατάλογος εξαρτημάτων

- Το σχέδιο και ο κατάλογος εξαρτημάτων αποτελούνται από 4 βασικά τμήματα:
- Κύριο σώμα της συσκευής (Εικόνα 1),

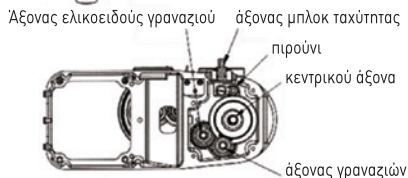
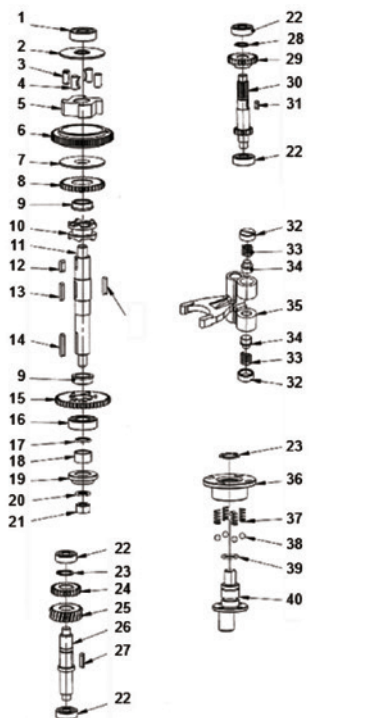
- Διάταξη γρاناζιών (Εικόνα 2),
- Διάταξη ανύψωσης κάδου (Εικόνα 3),
- Καπάκι κάδου και άξονας περιστροφής (Εικόνα 4).



Εικόνα 1: Κύριο σώμα της συσκευής

Κατάλογος εξαρτημάτων Εικόνας 1

Αρ. εξαρτήματος	Όνομα εξαρτήματος	Ποσότητα
1	Κάλυμμα βίδας	1
2	Βίδα επάνω καλύμματος	1
3	Επάνω κάλυμμα	1
4	Βίδες M5x8	10
5	Διάταξη μοτέρ	1
6	Ελατηριωτή ροδέλα	7
7	Βίδες M6x16	3
8	Βίδες M6x20	4
9	Πίσω κάλυμμα	1
10	Βάση	1
11	Υποδοχή καλωδίου	1
12	Γείωση	1
13	Κάλυμμα οπών εξερισμού	1
14	Βίδες M4x8	4
15	Βίδες M6x20	4
16	Κάλυμμα βάσης	1
17	Σύστημα στήριξης κάδου	1
18	Πλαϊνό κάλυμμα κάδου	1
19	Ράβδος σύνδεσης	1
20	Πείρος 6x18	1
21	Επάνω μέρος	1
22	Κάλυμμα ρουλεμάν	1
23	Ελατηριωτή ροδέλα	4
24	Βίδες M5x20	6
25	Κάλυμμα κεντρικού άξονα	1
26	Κάλυμμα άξονα γρاناζιών	2
27	Ροδέλα Ø26	2
28	Ροδέλα Ø32	2
29	Πλακέτα καλύμματος διακόπτη	1



Εικόνα 2: Διάταξη γραναζιών

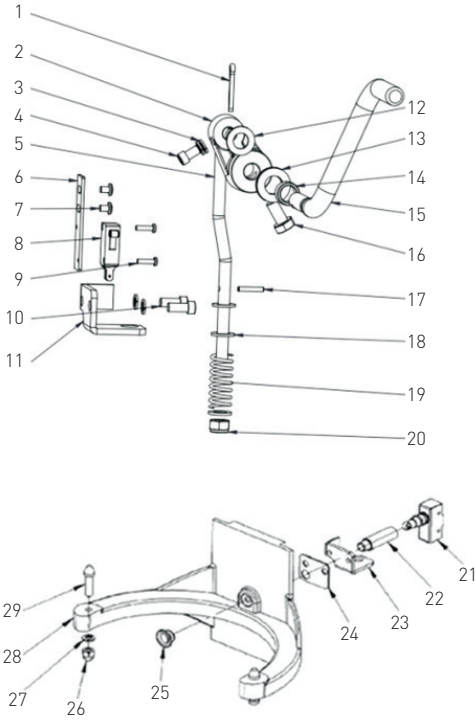
Κατάλογος εξαρτημάτων Εικόνας 2

Αρ. εξαρτήματος	Όνομα εξαρτήματος	Ποσότητα
1	Ρουλεμάν	1
2	Κάλυμμα	1
3	Κύλινδροι	4
4	Ελατήρια	4
5	Εξάρτημα σύνδεσης	1
6	Δακτύλιος γραναζιού	1
7	Δακτύλιος διαχωρισμού	1
8	Γρανάζι συνδέσμου	1
9	Δακτύλιος ρουλεμάν	2
10	Σύνδεσμος	1
11	Κεντρικός άξονας	1
12	Κλειδί 5x14	1
13	Κλειδί 4x22	2
14	Κλειδί 4x28	1
15	Γρανάζι συνδέσμου	1
16	Ρουλεμάν	1
17	Δακτύλιος O 16x1,8	1
18	Χιτώνιο κεντρικού άξονα	1
19	Χιτώνιο γραναζιών μεγάλου συνδέσμου	1
20	Δακτύλιος ελατηρίου Ø10	1
21	Παξιμάδι (M10)	1
22	Ρουλεμάν	4
23	Δακτύλιος διακοπής Ø16	2
24	Γρανάζι	1
25	Ελικοειδές γρανάτζι	1
26	Άξονας ελικοειδούς γραναζιού	1
27	Κλειδί 4x18	1
28	Δακτύλιος ελατηρίου Ø13	1
29	Γρανάζι υψηλής ταχύτητας	1
30	Άξονας γραναζιών	1
31	Κλειδί 4x10	1
32	Παξιμάδι Fork	2
33	Ελατήρια Fork	2
34	Μικροί άξονες Fork	2
35	Σταθερό στήριγμα	1
36	Μπλοκ ταχύτητας	1
37	Ελατήρια	4
38	Ατσάλινη σφαίρα	4
39	Δακτύλιος O	1
40	Άξονας μπλοκ ταχύτητας	1

GR



Κατάλογος εξαρτημάτων Εικόνας 3



Εικόνα 3: Διάταξη ανύψωσης κάδου συσκευής

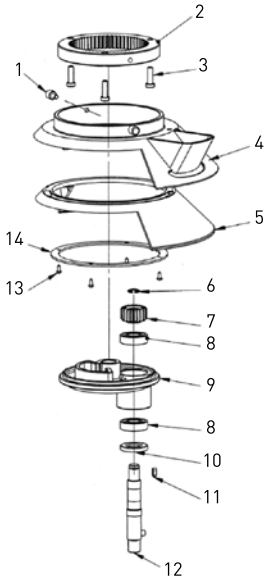
Αρ. εξαρτήματος	Όνομα εξαρτήματος	Ποσότητα
1	Πείρος 3X16	1
2	Μονάδα στερέωσης λαβής	1
3	Ελατρωτή ροδέλα 6	1
4	Βίδες M6x10	1
5	Ράβδος ανύψωσης	1
6	Βάση μικροδιακόπτη	1
7	Βίδες M4x6	2
8	Μικροδιακόπτης	1
9	Βίδες M3x12	2
10	Βίδες M6x14	2
11	Πλάκα υποστήριξης ράβδου ανύψωσης	1
12	Επίπεδη ροδέλα 10	1
13	Επίπεδη ροδέλα 12	2
14	Μανίκι	1
15	Λαβή	1
16	Βίδες M8x16	1
17	Ελαστική κυλινδρική (Pin 3X18)	1
18	Επίπεδη ροδέλα 8	3
19	Ελατήριο	1
20	Παξιμόδι (M8)	1
21	Μικροδιακόπτης	1
22	Σύνδεσμος διακόπτη	1
23	Υποστήριξη διακόπτη	1
24	Βάση διακόπτη	1
25	Κουμπί καλύμματος	1
26	Παξιμόδι	2
27	Ελατρωτή ροδέλα	2
28	Βραχιονας συστήματος στήριξης κάδου	1
29	Πείροι καθοδήγησης	2

GR



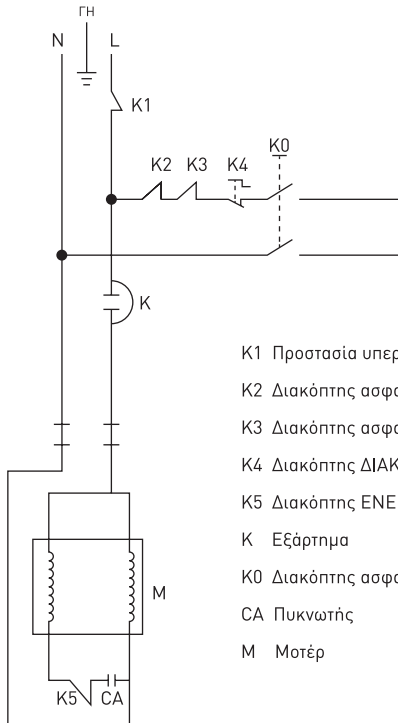
Κατάλογος εξαρτημάτων Εικόνας 4

Αρ. εξαρτήματος	Όνομα εξαρτήματος	Ποσότητα
1	Ένθεμα	2
2	Εσωτερικό γρανάζι	1
3	Βίδες M6x20	4
4	Καπάκι κάδου (εξωτερικό)	1
5	Καπάκι κάδου (εσωτερικό)	1
6	Ελατηριωτή ροδέλα Ø12	1
7	Πλανητικό γρανάζι	1
8	Ρουλεμάν	1
9	Πλάκα περιστροφής	1
10	Δακτύλιος σφραγίσματος λαδιού	1
11	Πείρος 4x10	1
12	Άξονας ανάμιξης	1
13	Βίδες	4
14	Δακτύλιος καπακιού κάδου	1



Διάγραμμα κυκλώματος

Διάγραμμα κυκλώματος



- K1 Προστασία υπερφόρτωσης (θερμική διακοπή)
- K2 Διακόπτης ασφαλείας μοχλού ανύψωσης κάδου
- K3 Διακόπτης ασφαλείας καπακιού κάδου
- K4 Διακόπτης ΔΙΑΚΟΠΗΣ
- K5 Διακόπτης ΕΝΕΡΓΟΠΟΙΗΣΗΣ
- K Εξάρτημα
- K0 Διακόπτης ασφαλείας θέσης κάδου
- CA Πυκνωτής
- M Μοτέρ



Εγγύηση

Οποιοδήποτε ελάττωμα επηρεάζει τη λειτουργικότητα της συσκευής που γίνεται προφανές δύο χρόνια μετά την αγορά της, θα διορθώνεται με δωρεάν επισκευή ή αντικατάσταση, αρκεί η συσκευή να έχει χρησιμοποιηθεί και συντηρηθεί σύμφωνα με τις οδηγίες και να μην έχει γίνει κατάχρηση ή λανθασμένη χρήση της με οποιονδήποτε τρόπο. Δε θίγονται τα νόμιμα δικαιώματά σας. Εάν η συσκευή υποστηρίζεται

από εγγύηση, δηλώστε πού και πότε έχει αγοραστεί και συμπεριλάβετε την απόδειξη αγοράς (π.χ. απόδειξη λιανικής πώλησης).

Σύμφωνα με την πολιτική μας για τη συνεχή εξέλιξη των προϊόντων μας, διατηρούμε το δικαίωμα να αλλάξουμε το προϊόν, τη συσκευασία και τις προδιαγραφές τεκμηρίωσής του χωρίς προειδοποίηση.

Απόρριψη & Περιβάλλον

Η συσκευή, μετά το πέρας της διάρκειας ζωής της, δεν πρέπει να απορρίπτεται ως οικιακό απόρριμμα. Πρέπει να απορρίπτεται, με δική σας ευθύνη, σε καθορισμένο σημείο συλλογής. Η μη τήρηση αυτού ενδέχεται να τιμωρείται σύμφωνα με τους ισχύοντες κανονισμούς για τη διάθεση των απορριμμάτων. Η χωριστή συλλογή και ανακύκλωση αυτής της συσκευής κατά τη στιγμή της απόρριψης βοηθά στη διατήρηση των φυσικών πόρων και εξασφαλίζει την

ανακύκλωσή της με τρόπο που προστατεύει την ανθρώπινη υγεία και το περιβάλλον. Για περισσότερες πληροφορίες σχετικά με το πού μπορείτε να απορρίψετε τη συσκευή για ανακύκλωση, επικοινωνήστε με την τοπική εταιρεία συλλογής απορριμμάτων. Οι κατασκευαστές και οι εισαγωγείς δεν αναλαμβάνουν την ευθύνη ανακύκλωσης, επεξεργασίας και οικολογικής διάθεσης, είτε άμεσα είτε μέσω δημόσιου συστήματος.

ΣΕΡΒΙΣ ΕΛΛΑΔΟΣ:

Τηλ.: 213 0 998989 (10 γραμμές)

info@pks-hendi.com

Tisztelt Ügyfelünk!

Köszönjük, hogy megvásárolta ezt a HENDI készüléket. A készülék első használata előtt figyelmesen olvassa el ezt a kézikönyvet, különös figyelmet fordítva az alább ismertetett biztonsági előírásokra.

Biztonsági előírások

- A készülék nem háztartási használatra készült.
- A készüléket csak arra a célra szabad használni, amelyre tervezték. A gyártó nem vállal felelősséget a helytelen használatból és használatból eredő károkért.
- A készüléket és az elektromos dugaszt tartsa távol víztől és más folyadékoktól. Abban az esetben, ha a készülék vízbe esik, azonnal húzza ki a dugaszt az aljzatból, és ne használja addig, amíg a készüléket szakképzett technikus nem ellenőrizte. Az utasítások be nem tartása életveszélyt okozhat.
- Soha ne próbálja meg saját maga kinyitni a készülék burkolatát.
- Ne helyezzen semmilyen tárgyat a készülék burkolatába.
- Ne érintse meg a dugót nedves vagy nedves kézzel.
- ⚡ **Aramütés veszélye!** Ne kísérelje meg saját maga megjavítani a készüléket. Meghibásodás esetén a javításokat csak szakképzett személyzet végezheti.
- **Soha ne használjon sérült készüléket!** Válassza le a készüléket az elektromos hálózatról, és vegye fel a kapcsolatot a kiskereskedővel, ha sérült.
- **Figyelmeztetés!** Ne merítse a készülék elektromos alkatrészeit vízbe vagy más folyadékba. Soha ne tartsa a készüléket folyó víz alatt.
- Rendszeresen ellenőrizze, hogy nem sérült-e a hálózati csatlakozódugó és a vezeték. Ha a hálózati csatlakozó vagy a tápkábel megsérül, akkor a veszély vagy sérülés elkerülése érdekében szervizszakemberrel vagy hasonlóan képzett szakemberrel kell kicseréltetni.
- Ügyeljen arra, hogy a vezeték ne érintkezzen éles vagy forró tárgyakkal, és tartsa távol nyílt tűztől. A dugasz kihúzásához mindig a dugaszt húzza, ne a kábelt.
- Ügyeljen arra, hogy a vezeték (vagy a hosszabbító) úgy legyen elhelyezve, hogy ne okozzon botlásveszélyt.
- Használat közben mindig tartsa szemmel a készüléket.
- **Figyelmeztetés!** Amíg a dugasz az aljzatban van, a készülék csatlakoztatva van az áramforráshoz.
- Kapcsolja ki a készüléket, mielőtt kihúzza a dugaszt az aljzatból.
- Soha ne szállítsa a készüléket a kábelnél fogva.
- Ne használjon a készülékhez nem mellékelt kiegészítő eszközöket.
- A készüléket csak a készülék címkéjén feltüntetett feszültséggel és frekvenciával rendelkező elektromos aljzathoz csatlakoztassa.
- Csatlakoztassa a hálózati dugaszt egy könnyen hozzáférhető elektromos aljzathoz, hogy vészhelyzet esetén a készülék azonnal kihúzható legyen. A készülék teljes kikapcsolásához húzza ki a hálózati dugaszt a konnektorból.
- A dugasz leválasztása előtt mindig kapcsolja ki a készüléket.
- Soha ne használjon a gyártó által ajánlottaktól eltérő tartozékokat. Ennek elmulasztása


HU



biztonsági kockázatot jelenthet a felhasználó számára, és károsíthatja a készüléket. Csak eredeti alkatrészeket és tartozékokat használjon.

- A készülék kialakítása nem olyan, hogy azt csökkent fizikai, érzékszervi vagy mentális képességű, illetve megfelelő tapasztalatok és ismeretek híján lévő személyek (beleértve a gyermekeket is) használhassák.
- A készüléket gyermekek semmilyen körülmények között nem használhatják.
- A készüléket és a vezetékét tartsa gyermekektől elzárva.
- Mindig válassza le a készüléket az elektromos hálózatról, ha felügyelet nélkül hagyja, vagy nem használja, valamint összeszerelés, szétszerelés vagy tisztítás előtt.
- Használat közben soha ne hagyja a készüléket felügyelet nélkül.

Különleges biztonsági előírások

- A gépet csak a jelen kézikönyvben leírtak szerint használja.
- Ezt a gépet az élelmiszeripar konyhájában, például étkeztetésben, pékségben, pizzában, pékségben stb. képzett szakemberek üzemeltethetik és helyezhetik üzembe.
- Minden karbantartási, telepítési és javítási munkát szakképzett, felhatalmazott technikusnak kell végeznie.
-  A készülék hátoldalán egy ekvipotenciális kötési kapocs található, amely lehetővé teszi a más berendezésekkel való keresztkötetést.
- Ne helyezze a gépet fűtőtárgyra (benzin, elektromos, széntűzhely stb.) Tartsa távol a készüléket minden forró felülettől és nyílt lángtól. A gépet mindig vízszintes, stabil, tiszta, hőálló és száraz felületen üzemeltesse.
- Ne használja a gépet robbanásveszélyes vagy gyúlékony anyagok, hitelkártyák, mágneses tárcsák vagy rádiók közelében.
- Szükség esetén viseljen védőruházatot, maszkot vagy védőszemüveget a műtét során.
- Ezt a gépet nem külső időzítővel vagy külön távvezérlő rendszerrel való üzemeltetésre tervezték.
- Soha ne kerülje meg a gép biztonsági reteszelésait.
- **FIGYELMEZTETÉS:** A készülék szellőzőnyílásait tartsa akadálymentesen.
- **FIGYELMEZTETÉS: A feltételek tisztítása, karbantartása vagy cseréje előtt MINDIG** kapcsolja ki a gépet, és húzza ki az elektromos hálózatról.
- Használat közben hagyjon legalább 30 cm távolságot a készülék körül szellőzés céljából.
- **Vigyázat!** Szükség esetén biztonságosan vezesse el a tápkábelt, hogy megakadályozza a véletlen meghúzást vagy a fűtőfelülettel való érintkezést.
- **FIGYELEM! MINDIG** tartsa távol kezeit, hosszú haját és laza ruházatát a mozgó alkatrészekről.
- Ne tegye a kezét a védett területre és a keverőtálba, amikor a gép működik.
- Ne töltsön be túl sok hozzávalót az élelmiszerek túlfolyásának megelőzése érdekében. A tál maximális űrtartalma 10 liter a 222836, 222966 és 20 liter a 222843, 222973 esetében.
- Ne mossa a gépet vízzel vagy vízszugárral. A vízzel történő mosás szívárgást okozhat, és növelheti az áramütés kockázatát. Egyetlen alkatrész sem tisztítható mosogatógépben.
- Ne tisztítsa és ne tárolja a gépet, amíg teljesen le nem hűlt.

- Különös gonddal kell eljárni a gép mozgatasakor vagy szállitasakor, mivel az túl nehéz. Legalább 2 emberrel, vagy egy kocsi-val. Lassan, óvatosan mozgassa a gépet, és soha ne hajlítsa 45 °C fölé.

Rendeltetés-szerű használat

- A készüléket professzionális használatra tervezték, és csak szakképzett személyzet használhatja.
- A készüléket az élelmiszeriparban és üzletekben működtetett élelmiszerek keverésére, dagasztására, emulgeálására/felverésére tervezték. Minden egyéb használat a készülék károsodásához vagy személyi sérüléshez vezethet.
- A készülék bármilyen más célból történő üzemeltetése a készülék helytelen használatának minősül. A felhasználó kizárólagos felelősséggel tartozik az eszköz nem megfelelő használatáért.

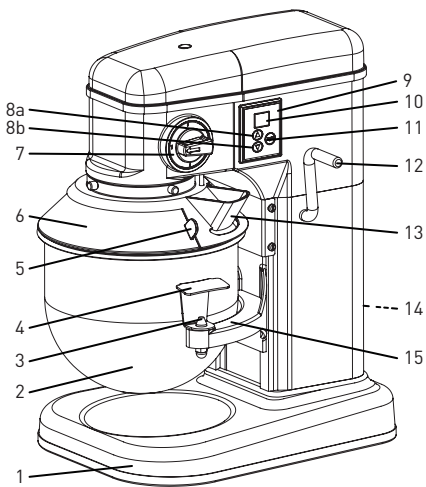
Földelés

Ez a készülék I. védettségi osztályú készüléknek minősül, és védőföldeléshez kell csatlakoztatni. A földelés csökkenti az áramütés veszélyét azáltal, hogy az elektromos áramhoz elvezető vezetékét

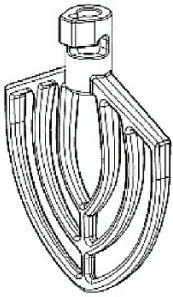
biztosít. A készülék földelővezetékekkel és földelődugóval ellátott vezetékkel rendelkezik. A dugaszt megfelelően felszerelt és földelt aljzathoz kell csatlakoztatni.

A gép fő részei

1. A gép alja
2. Tál
3. Vezetett csapok (x2)
4. Tálfogantyúk (2 db)
5. Tálvédő fogantyú
6. Tálvédő
7. Sebességszabályozó gomb
- 8a. Időzítő (időbeállítás növelése)
- 8b. Időzítő (időbeállítás csökkentése)
9. Kezelőpanel
10. Időzítő megjelenítése
11. BE/KI kapcsoló
12. Emelje fel / engedje le a tál karját
13. Beépített hozzávaló-csúszda
14. VISSZAÁLLÍTÁS gomb (há-tul)
15. Tálbölcső



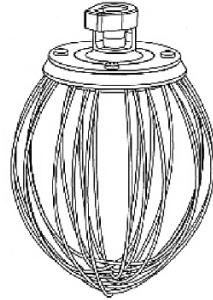
Mellékletek



Lapos keverő



Tésztatartó horog



Habverő

Előkészületek a telepítés előtt

- Szükség esetén csavarkulccsal óvatosan csavarozza ki a gépet a csúszótalpból.
- Távolítsa el az összes védőcsomagolást és csomagolást.
- Ellenőrizze a gép teljességét és a szállítási sérüléseket. Hiányos szállítás (pl. habverő, lapos keverő és dagasztókampó) vagy sérülés esetén

azonnal forduljon a szállítóhoz. NE használja a gépet. (Lásd == > Garancia).

- Használat előtt tisztítsa meg a gépet és a feltételeket (lásd ==> Tisztítás és karbantartás).
- Ellenőrizze, hogy a készülék teljesen száraz-e.
- Őrizze meg a csomagolást, ha a jövőben tárolni kívánja a készüléket.

Telepítés

- A telepítés és üzemeltetés előtt alaposan és gondosan olvassa el ezt a kézikönyvet.
- Gondoskodjon arról, hogy a gépet olyan száraz területre helyezze, amely elegendő szilárdsági felülettel rendelkezik ahhoz, hogy a közelben történő üzemeltetés során akadálymentesen megtartsa a tartófelületet.
- Ellenőrizze, hogy az elektromos tápellátás megfelel-e a gépen lévő adatkíméknek.
- A gép körül elegendő szabad térnek kell lennie

a kezelő számára a működéshez. Tisztának és akadálymentesnek kell lennie, pl. semmi nincs a gépre vagy a gép köre helyezve, mint például kaparók, kések stb.

- Ne viseljen laza ruházatot, például sálát, stb., és a hosszú hajat kösse össze, és tartsa távol a mozgó alkatrészekről.

VIGYÁZAT! Soha ne ugorjon át egyetlen biztonsági kapcsolót sem.

Szállítás és kezelés

- Ne mozgassa a gépet működés közben.
- Húzza ki a gépet, távolítsa el a tálat (2) és az összes feltétet (habverő, lapos keverő vagy dagasztóhorog) a gép mozgásakor.

- Tartsa meg a gép alját (1), amikor mozog, hogy jobb alátámasztást kapjon.

- Legalább 2 emberrel vagy kocsival, hogy segítsen mozgatni a gépet a nehéz súly miatt.

Speciális biztonsági funkciók

Figyelem: Ez a gép a következő 3 biztonsági kapcsolóval rendelkezik. A gépet csak akkor szabad elindítani, ha az összes biztonsági kapcsoló a megfelelő pozícióban van.

- Tálhelyzet biztonsági kapcsoló: A gép beindítható, ha a tálat a megfelelő pozícióba helyezte.
- Távvédő (5) biztonsági kapcsoló: A gép csak akkor indítható be, ha a távédő (5) zárt helyzetben van.
- Az emelőkar (12) biztonsági kapcsolója: A gép

csak akkor indítható be, ha az emelőkar (12) felfelé áll.

Ne viseljen laza ruházatot, például sálát, stb., és a hosszú hajat kösse össze, és tartsa távol a mozgó alkatrészekről.



Üzemeltetés

A súlyos személyi sérülések elkerülése érdekében:

- NE üzemeltesse a gépet anélkül, hogy el nem olvasta volna a használati útmutatót.
- A tartozékok tisztítása, karbantartása, javítása vagy cseréje előtt MINDIG kapcsolja KI a gépet, és húzza ki az elektromos hálózathoz.
- MINDIG tartsa távol kezeit, haját és laza ruházatát a mozgó alkatrészekről.

a) A tálvédőről

Megjegyzés: Ha a tálvédő (6) nyitva van, vagy nincs megfelelően lezárva a zár pozícióban, a gép nem fog működni.

1. A tálvédő (6) kinyitásához fogja meg a tálvédő fogantyúját (5), és forgassa el az óramutató járásával megegyező irányba. A tálvédő (6) bezárásához fogja meg a tálvédő fogantyúját (5), és forgassa el

az óramutató járásával ellentétes irányba.

2. Amikor a tálvédő fogantyúja (5) a gép jobb oldalán van egy vonalban, a tálvédő (6) a lengő pozícióban van, és üzemkész.

b) Szerelje fel a tálat (2) a gépre

Megjegyzés: A feltétek rögzítése ELŐTT szerelje be a csészét (2). Csak a mellékelt tálat (2) használja.

1. Engedje le a tálat úgy, hogy a tálemelő kart (12) lefelé húzza, amíg meg nem áll. Úgy, hogy a csésze bölcsojje (15) alacsonyabb helyzetben legyen.

2. Óvatosan és lassan helyezze el a tálat (2) a tál fogantyúival (4) a 2 oldalon, és

i) A rögzítőcsapot a tál bölcsojének közepén lévő nyílásba (15) helyezve, és

ii) Igazítsa a csésze bölcsojének 2 oldalán található vezetőcsapokhoz (15).



c) Szereljen fel különböző feltéteket (lapos keverő, dagasztóhorog vagy habverő) a gépre

Megjegyzés: Kényelmesebb és könnyebb a feltéteket beszerezni, mielőtt az összetevőket a tálba (2) helyezi.

1. Óvatosan forgassa el a tálvédőt (6) az óramutató járásával megegyező irányba, hogy az nyitott helyzetben legyen.

2. **VIGYÁZAT!** Túl nagy erővel nyissa ki vagy zárja be a szűrőház védőelemét (6), ami károsíthatja a biztonsági zár mikrokapcsolóját. Legyen óvatos,

amikor kinyitja vagy bezárja a tartályvédőt (6).

3. Csúsztassa a feltéteket (lapos keverő, dagasztóhorog vagy habverő) lassan felfelé a bolygótengelyre, és illesse be a tengelycsapot a feltéteken lévő nyíláson keresztül.

4. Forgassa el a feltéteket, hogy a bolygótengelyhez rögzítse őket.

d) Összetevők öntése és keverése

Megjegyzés: Kövesse a Keverőanyagok kapacitását ebben a kézikönyvben. A túlterhelés túlsorduláshoz vagy a gép károsodásához vezethet.

FONTOS: Győződjön meg arról, hogy a sebesség-szabályozó kar (7) az 1. pozícióba van állítva.

1. Tegye az összes megfelelő hozzávalót a tálba (2).

2. Emelje fel a csészeemelő kart (12), amíg a csésze (2) a helyére nem rögzül.

3. Forgassa el a tálvédőt (6) az óramutató járásával ellentétes irányba, és rögzítse a helyére.

Figyelem: A gép nem indul el, ha a tálvédő (6) nyitva van / nincs megfelelően bezárva, vagy a tál (2) alsó helyzetben van.



e) Állítsa be az időzítőt, a sebességet és a gép beindítását

1. Beállíthatja az időzítőt a megfelelő keverési időre, vagy az időzítő beállítása nélkül is működhet.

a) Üzemeltetés időzítő beállítással:

Nyomja meg az Idő + [8a] gombot az idő növeléséhez, vagy a Idő - [8b] gombot az idő csökkentéséhez. A megerősítéshez nyomja meg a piros BE/KI gombot [11]. A hátralévő idő megjelenik, és a pont villog a kijelzőn [10].



b) Üzemeltetés időzítő beállítása nélkül:

A gép 10 perc múlva automatikusan kikapcsol, mivel az alapértelmezett időzítő 10 perc.

Megjegyzés: i) A maximális beállítási idő 60 perc.

Az alapértelmezett idő 10 perc.

ii) Nyomja meg és tartsa lenyomva a + [8a] vagy a csökkentés [8b] gombot a gyors beállításhoz.

2. Ezután válassza ki a megfelelő sebességet a sebességszabályozó kar [7] felemelésével vagy leengedésével. Három rögzített sebesség áll rendelkezésre: első [1], második [2] és harmadik [3].

FONTOS: MINDIG kövesse az ajánlott rátétet és sebességbeállítást a kapacitástáblázatnak megfelelően.

FIGYELEM: Ügyeljen arra, hogy a por és a liszt kiszivároгjon, amikor az összetevő zsákokat a tábla [2] helyezi. Szükség esetén viseljen védőmaszkot vagy szemüveget.

3. Ezután nyomja meg a piros [BE / KI] gombot [11] a kezelőpanelen [9] a gép bekapcsolásához. Nyomja meg újra a gép kikapcsolásához. A gép az óramutató járásával megegyező irányba forog.

4. VIGYÁZAT! A sebességváltás ELŐTT MINDIG ÁLLÍTSA LE a gépet. Ennek elmulasztása károsíthatja a belső fogaskerék szerkezetét.

5. A sebesség megváltoztatása működés közben:

a) Nyomja meg a piros [BE / KI] gombot [11] a kezelőpanelen [9] a gép kikapcsolásához.

b) Módosítsa a sebességet a sebességszabályozó kar [7] felemelésével vagy leengedésével.

c) Nyomja meg a piros [BE / KI] gombot [11] a kezelőpanelen [9] a gép újraindításához.

HU

Forgatási sebesség

Összetevő típusa

1 (alacsony)

Nehéz: Pizza, kenyér és tészta keverése

2 (Közepes)

Közepes: a keverés 2. fázisa fánktésztahoz stb.

3 (magas)

Világítás: Pirítós krém, tojásfehérje, habcsók.

A Hi-limiter VISSZAÁLLÍTÁSA (hőkivágás)

Felhívjuk figyelmét, hogy a RESET gomb [14] a gép hátulján található a túlmelegedés megelőzése érdekében.

- Először húzza ki a gépet az elektromos aljzathólról.
- Hagyja a gépet teljesen lehűlni.

- Nyomja meg a magas határoló (hőkivágás) RESET gombját [14]
- Ezután csatlakoztassa az elektromos aljzathoz, és indítsa újra a gépet.



Keverőanyagok kapacitása

Az alábbi táblázat csak egy referencia a különböző nyiségre vonatkozóan. Számos tényező befolyásolja például a liszt típusát, a víz hőmérsékletét stb.

Termék	Melléklet	Max. mennyiség
Tojásfehér	Habverő	700 g
Pépesített burgonya	Lapos keverő	1500 g
Fúzió (vízmennyiség)	Habverő	1 liter
Waffle vagy palacsinta tésztája	Lapos keverő	2 liter
Felvert krém	Habverő	3 liter
Pizzatészta (közepes, 50% víz)	Tésztahorog, sebesség (1)	1500 g
Pizzatészta (vastag, 60% víz)	Tésztahorog, sebesség (1)	2000 g
Spongya-torta	Keverő, sebesség (1)	1000 g
Tojásos tészta	Lapos keverő, sebesség (1)	1500 g
Kenyér vagy tésztatekercs (fény/közepes, 60% víz)	Tésztahorog, sebesség (1)	Víz 500 g Liszt, 800 g

Tisztítás és karbantartás

Figyelem: Tisztítás, karbantartás, javítás és tárolás előtt mindig húzza ki a készüléket az elektromos aljzattól, és hagyja teljesen lehűlni.

Tisztítás

- A könnyű tisztítás előtt mindig távolítsa el az összes tartozékot, különben beragad a tengelybe, és később nehéz lesz eltávolítani.
- Minden használat után alaposan tisztítsa meg a gépet és annak tartozékait, és győződjön meg arról, hogy minden ételmaradványt eltávolított.
- Soha ne merítse a készüléket vízbe vagy más folyadékba.
- Tisztítsa meg a felületet enyhén nedves ruhával vagy szivaccsal enyhe szappanos oldattal.
- Soha ne használjon súrolószivacsot, mosószert, acélgypapot vagy fémeszközöket a készülék belsőjének vagy külsőjének tisztításához.
- NE mossa a készüléket víz- vagy vízsugárral. A vízzel történő mosás szívárgást okozhat, és növelheti az áramütés kockázatát.
- Egyetlen alkatrészt vagy tartozékot sem mosogatógéppel tisztítható.

Ajánlott tisztítási eljárás:

Alkatrészek	Tisztítás	Frekvencia
Tál	Enyhe szappanos vízzel megnedvesített rongy segítségével öblítse le, fertőtlenítsen és alaposan szárítsa meg.	Minden használat után tisztítsa meg
Tartozékok (dagasztóhorog, keverő és habverő)	Kézzel mossa le enyhe szappannal és vízzel, öblítse le, fertőtlenítsen és alaposan szárítsa meg.	Minden használat után tisztítsa meg
Tálvédő	Kézzel, szivaccsal vagy nedves ruhával, enyhe szappannal és vízzel mossa le, öblítse le, fertőtlenítsen és alaposan szárítsa meg.	Minden használat után tisztítsa meg
Külső felület	Törölje le tiszta, nedves ruhával szappannal és vízzel, öblítse le, fertőtlenítsen és szárítsa meg. Ne használjon vízsugarat.	Hetente kétszer
Bolygótengegy	Törölje le tiszta, nedves ruhával szappannal és vízzel, öblítse le, fertőtlenítsen és szárítsa meg.	Minden használat után tisztítsa meg



Tárolás

- Tárolás előtt mindig győződjön meg arról, hogy a készülék le lett választva az elektromos aljzatról, és teljesen lehűlt.
- A készüléket hűvös, tiszta és száraz helyen tárolja.

Hibaelhárítás

Ha a gép nem működik megfelelően, kérjük, ellenőrizze az alábbi táblázatban a megoldást. Ha továbbra sem tudja megoldani a problémát, kérjük, forduljon a szállítóhoz/szolgáltatóhoz. **NE javítsa saját magát.**

Problémák	Lehetséges okok	Lehetséges megoldás
A gép nem indul el	A tartályvédő (6) nincs megfelelően lezárva.	Forgassa jobbra a tálvédőt (6), amíg megfelelően nem záródik.
	A tál (2) nincs a megfelelő helyre emelve.	Emelje fel a tálat (2) a megfelelő helyzetbe a szintező (12) segítségével.
	A hálózati csatlakozódugó nincs megfelelően csatlakoztatva.	Ellenőrizze, hogy a hálózati csatlakozó megfelelően van-e csatlakoztatva.
A gép működés közben leáll	A belső túlterhelés aktiválódik a túlmelegedés megelőzése érdekében.	Nyomja meg a KI gombot (11), majd nyomja meg a RESET gombot (14) a hátoldalon.
	Sérült vagy törött hajtósíj	Egyeztessen a szállítóval
A gép hangja túl zajos	A gép nincs vízszintes felületre helyezve.	Állítsa be a felületet, vagy mozgassa egy másik vízszintes felületre.
	A tál (2) nincs megfelelően behelyezve.	Győződjön meg arról, hogy a tál (2) megfelelően van behelyezve a tál bölcsojébe (15) a vezetőcsapokkal (3).
	A feltétek nincsenek megfelelően felszerelve.	Távolítsa el és helyezze vissza a feltéteket a helyükre.
	A tál túlterhelt.	Csökkentse az összetevők kapacitását.
	Sérült vagy kopott hajtósíj.	Egyeztessen a szállítóval.
A bolygókereknek kenőanyag hiányára van szükségük.	Egyeztessen a szállítóval.	
A feltétek nem szerelhetők könnyen a bolygótengelyre	A kenőanyag hiánya és/vagy a bolygótengely tisztítása szükséges.	Törölje le a bolygótengelyt tiszta, nedves ruhával, és kenje meg a tengelyt ásványi olajjal vagy zsírral.
A keverőtál (12) emelő-/süllyesztő karja nem működik könnyen	Kenőanyag hiánya a tál csúszdáján.	Kenje meg a tál tárgylemezeit ásványi olajjal vagy zsírral.

Műszaki adatok

Tétel sz.: 222829

Üzemi feszültség és frekvencia: 220–230V ~ 50/60

Hz

Névleges bemeneti teljesítmény: 650W

Védelmi osztály: I. osztály

Vízálló védelmi osztály: IP21

Maximális úrtartalom: 7 liter (800 g liszt + 500 g víz)

Forgatási sebesség (ford./perc): Sík habverő (250);

Tésztahorog (128); habverő (540)

Méret: 240x420x(H)425 mm

Nettó tömeg: kb. 21 kg

Zajsztint: < 70 dB (A)

Megjegyzés: A műszaki adatok előzetes értesítés nélkül változhatnak.



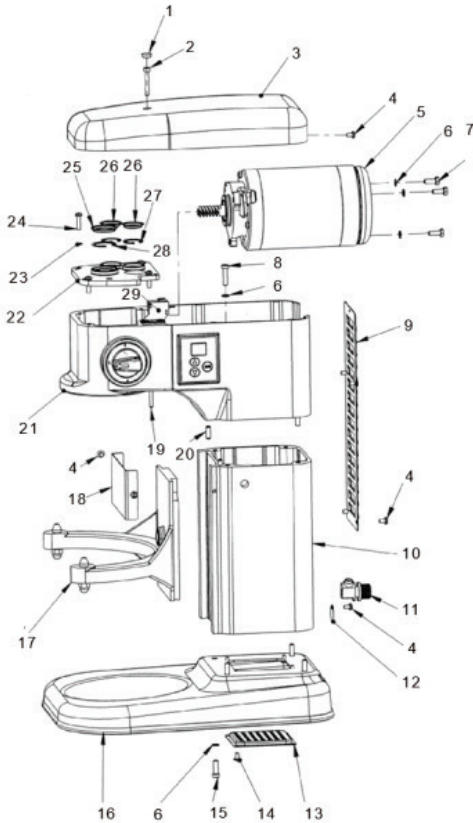
Robbantott rajz és alkatrészlista

- A robbantott rajz és alkatrészlista 4 fő részből áll:
- A gép fő háza (1. ábra);
- Hajtómű szerelvény (2. ábra);

- Tálemelő szerelvény (3. ábra);
- Tálvédő és forgótengely (4. ábra).

Az 1. ábra gépalkatrész-listája

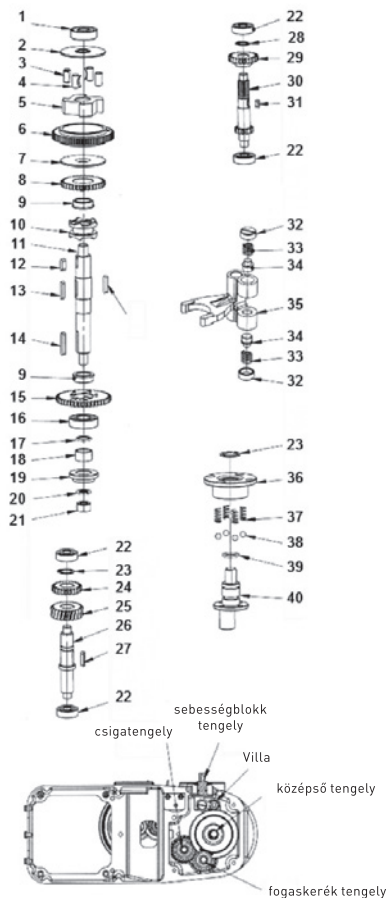
Cikkszám	Alkatrész neve	Mennyiség
1	Csavar burkolata	1
2	Felső takarócsavar	1
3	Felső burkolat	1
4	Csavarok M5x8	10
5	Motor szerelvény	1
6	Rugós alátét	7
7	Csavarok M6x16	3
8	Csavarok M6x20	4
9	Hátsó fedél	1
10	Állvány	1
11	Kábelcsatlakozó	1
12	Földelés	1
13	Szellőzőnyílások fedele	1
14	Csavarok M4x8	4
15	Csavarok M6x20	4
16	Alapburkolat	1
17	Tálbölcső	1
18	Tál tárgylemez fedél	1
19	Csatlakozási sáv	1
20	Tű 6x18	1
21	Felsőtest	1
22	Csapágy fedél	1
23	Rugós alátét	4
24	Csavarok M5x20	6
25	Középső tengely burkolat	1
26	Hajtóműtengely-fedél	2
27	Ø26 alátét	2
28	Ø32 alátét	2
29	Kapcsoló fedőlemeze	1



1. ábra: A gép fő egysége



Az 2. ábra gépalkatrész-listája

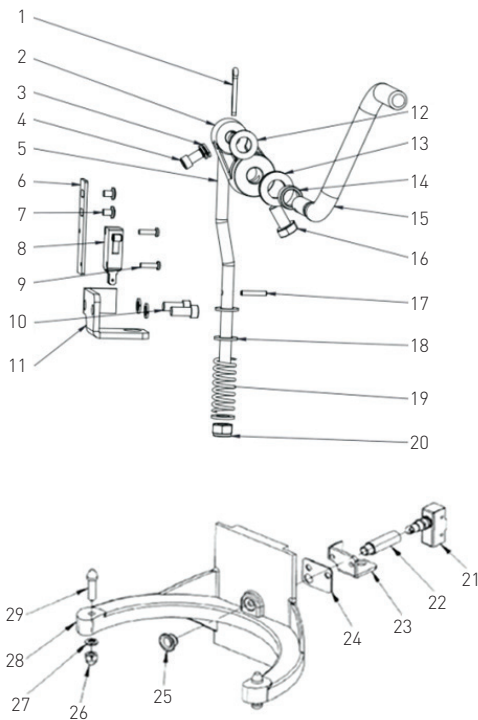


2. ábra: Fogaskerék szerelvény

Cikkszám	Alkatrész neve	Mennyiség
1	Csapágy	1
2	Burkolat	1
3	Görgők	4
4	Rugók	4
5	Bevonás	1
6	Fogaskerék	1
7	Osztógyűrű	1
8	Közös fogaskerék	1
9	Csapágy gyűrű	2
10	Ízület	1
11	Középső tengely	1
12	Kulcs 5x14	1
13	Kulcs 4x22	2
14	Kulcs 4x28	1
15	Közös fogaskerék	1
16	Csapágy	1
17	O-gyűrű 16x1,8	1
18	Középső tengelyhüvely	1
19	Nagyméretű illesztésű fogaskerék-hüvely	1
20	Rugógyűrű Ø10	1
21	Anya [M10]	1
22	Csapágy	4
23	Leállító gyűrű Ø16	2
24	Fogaskerék	1
25	Csigahajtás	1
26	Csigás hajtómű tengely	1
27	Kulcs 4x18	1
28	Rugógyűrű Ø13	1
29	Nagysebességű fokozat	1
30	Hajtómű tengely	1
31	Kulcs 4x10	1
32	Villás anya	2
33	A villák rugói	2
34	A villák kis tengelyei	2
35	Merev támogatás	1
36	Sebesség blokkok	1
37	Rugók	4
38	Acél golyó	4
39	O-gyűrű	1
40	Sebességblokk tengely	1

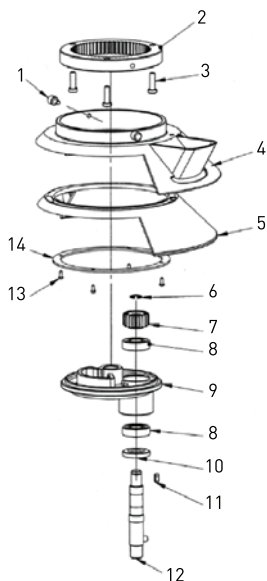
Az 3. ábra gépalkatrész-listája

Cikkszám	Alkatrész neve	Mennyiség
1	3X16 csap	1
2	Fogantyú rögzítő egység	1
3	Rugós alátét 6	1
4	M6x10 csavar	1
5	Emelőrúd	1
6	Mikrokapcsoló tartó	1
7	M4x6 csavar	2
8	Mikrokapcsoló	1
9	Csavar M3x12	2
10	M6x14 csavar	2
11	Emelőrúd tartólemeze	1
12	Lapos alátét 10	1
13	Lapos alátét 12	2
14	Szorító	1
15	Nyél	1
16	M8x16 csavar	1
17	Rugalmas hengeres (3X18 tű)	1
18	Lapos alátét 8	3
19	Tavaszi	1
20	Anyá (M8)	1
21	Mikrokapcsoló	1
22	Kapcsoló csatlakozója	1
23	Kapcsoló tartó	1
24	Kapcsolóállvány	1
25	Fedőgomb	1
26	Anyá	2
27	Rugós alátét	2
28	Táblölcső karja	1
29	Vezetett csapok	2



3. ábra: A gép tálemelő szerelvénye





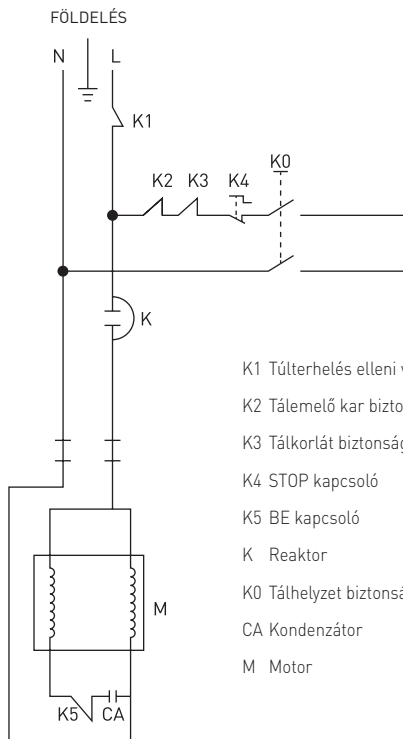
4. ábra: Tálvédő és forgótengely

Az 4. ábra gépkatrész-listája

Cikkszám	Alkatrész neve	Mennyiség
1	Beszúrás	2
2	Belső fogaskerék	1
3	Csavarok M6x20	4
4	Tálvédő (külső)	1
5	Tálvédő (belső)	1
6	Rugós alátét Ø12	1
7	Bolygós felszerelés	1
8	Csapágy	1
9	Forgótányér	1
10	Olajtömítés gyűrű	1
11	Tű 4x10	1
12	Keverő tengely	1
13	Csavarok	4
14	Tálvédő gyűrű	1

Kapcsolási rajz

HU



K1 Túlterhelés elleni védelem (hőkikapcsoló)

K2 Tálemelő kar biztonsági kapcsolója

K3 Tálkorlát biztonsági kapcsolója

K4 STOP kapcsoló

K5 BE kapcsoló

K Reaktor

K0 Tálhelyzet biztonsági kapcsoló

CA Kondenzátor

M Motor



Jótállás

A készülék működését érintő minden olyan hibát, amely a vásárlást követő egy éven belül nyilvánvalóvá válik, ingyenesen megjavítjuk vagy kicseréljük, feltéve, hogy a készüléket az utasításoknak megfelelően használták és karbantartották, és semmilyen módon nem használták fel vagy nem használták fel helytelenül. Ez nem befolyásolja az Ön törvényes jogait. Ha a készülékre jótállás vonat-

kozik, adja meg, hogy hol és mikor vásárolták, és mellékelje a vásárlás igazolását (pl. nyugta).

A folyamatos termékfejlesztésre vonatkozó irányelvünkkel összhangban fenntartjuk a jogot a termék, csomagolás és dokumentáció specifikációinak előzetes értesítés nélküli módosítására.

Ártalmatlanítás és környezetvédelem

A készülék üzemen kívül helyezésekor a terméket nem szabad más háztartási hulladékkal együtt ártalmatlanítani. Ehelyett az Ön felelőssége, hogy a hulladékberendezést egy kijelölt gyűjtőhelyre adja át. E szabály be nem tartása a hulladékkezelésre vonatkozó előírásoknak megfelelően büntethető. A hulladékberendezés ártalmatlanításakor történő külön gyűjtése és újrahasznosítása segít a természeti erőforrások megőrzésében és annak biztosításában, hogy az újrahasznosítás az emberi egészség és a környezet védelme érdekében történjen. Ha többet szeretne megtudni arról, hogy hol adhatja le újrahasznosítás céljából a hulladékot, forduljon a helyi hulladékgyűjtő vállalathoz. A gyártók és importőrök nem vállalnak felelősséget a közvetlen vagy nyilvános rendszeren keresztüli újrahasznosításért, kezelésért és ökológiai hulladékkezelésért.









HENDI

Tools for Chefs

HENDI B.V.

Innovatielaan 6
6745 XW De Klomp, The Netherlands
Tel: +31 317 681 040
Email: info@hendi.eu

HENDI Polska Sp. z o.o.

ul. Firmowa 12
62-023 Robakowo, Poland
Tel: +48 61 658 7000
Email: info@hendi.pl

HENDI GmbH

Ehring 15
5112 Lamprechtshausen, Austria
Tel: +43 6274 200 10 0
Email: office.austria@hendi.eu

HENDI Romania S.R.L.

Str. 13 decembrie 94A, Hala 14
Braşov, 500164, Romania
Tel: +40 268 320330
Email: office@hendi.ro

PKS HENDI South East Europe SA

5 Metsovou Str.
18346 Moschato, Athens, Greece
Tel: +30 210 4839700
Email: info@pks-hendi.com

HENDI Italia S.R.L.

Via Leonardo da Vinci 4
39100 Bolzano (BZ), Italy
Tel: +39 800 727 438
Email: office.italy@hendi.eu

HENDI HK Ltd.

1201, 12/F Exchange Tower
33 Wang Chiu Road, Kowloon Bay, Hong Kong
Tel: +852 2154 2618
Email: info-hk@hendi.eu

Find HENDI on internet:

www.hendi.com
www.facebook.com/HendiToolsforChefs
<https://www.linkedin.com/company/hendi-tools-for-chefs/>
www.youtube.com/HendiEquipment

- Changes, printing and typesetting errors reserved.
- Änderungen und Druckfehler vorbehalten.
- Wijzigingen en drukfouten voorbehouden.
- Producent zastrzega sobie prawo do zmian oraz błędów drukarskich w instrukcji.
- Variations et fautes d'impression réservées.

- Errori di cambiamenti, di stampa e di impaginazione riservati.
- Drepturi rezervate cu privire la modificări și greșeli de imprimare.
- Изменения, печати и верстки ошибки защищены.
- Με επιφύλαξη αλλαγών, λαθών εκτύπωσης και στοιχειοθεσίας.
- Változások, nyomtatási és beállítási hibák fenntartva.