



Tools for Chefs

DEEP FRYER MASTERCOOK DIGITAL

207369, 207376



You should read this user manual carefully before using the appliance.

Bevor Sie das Gerät in Betrieb nehmen, sollten Sie diese Gebrauchsanweisung aufmerksam lesen.

Alvorens de apparatuur in gebruik te nemen dient u deze gebruiksaanwijzing aandachtig te lezen.

Przed uruchomieniem urządzenia należy koniecznie dokładnie przeczytać niniejszą instrukcję obsługi.

Lisez attentivement ce mode d'emploi avant d'utiliser l'appareil .

Prima di utilizzare l'apparecchio in funzione leggere attentamente le istruzioni per l'uso.

Citiți cu atenție prezentul manual de utilizare înainte de folosirea aparatului.

Внимательно прочитайте руководство пользователя перед использованием прибора.

Πρέπει να διαβάσετε αυτές τις οδηγίες χρήσης προσεκτικά πριν χρησιμοποιήσετε τη συσκευή.



Keep these instructions with the appliance.
Diese Gebrauchsanweisung bitte beim Gerät aufbewahren.
Bewaar deze handleiding bij het apparaat.
Zachowaj instrukcję urządzenia
Gardez ces instructions avec cet appareil.
Conservate le istruzioni insieme all'apparecchio.
Păstrați manualul de utilizare alături de aparat.
Хранить руководство вместе с устройством.
Φυλάξτε αυτές τις οδηγίες μαζί με τη συσκευή.




For indoor use only.
Nur zur Verwendung im Innenbereich.
Alleen voor gebruik binnenshuis.
Do użytku wewnątrz pomieszczeń.
Pour l'usage à l'intérieur seulement.
Destinato solo all'uso domestico.
Doar pentru uz la interior.
Использовать только в помещениях.
Για χρήση μόνο σε εσωτερικό χώρο.



Dear Customer,

Thank you for purchasing this Hendi appliance. Before using the appliance for the first time, please read this manual carefully, paying particular attention to the safety regulations outlined below.

Safety Regulations


- This appliance is intended for commercial use only.
- The appliance must only be used for the purpose for which it was intended and designed. The manufacturer is not liable for any damage caused by incorrect operation and improper use.
- Keep the appliance and electrical plug away from water and any other liquids. In the event that the appliance should fall into water, immediately remove plug from the socket and do not use until the appliance has been checked by a certified technician. Failure to follow these instructions could cause a risk to lives.
- Never attempt to open the casing of the appliance yourself.
- Do not insert any objects in the casing of the appliance.
- Do not touch the plug with wet or damp hands.
-  **Danger of electric shock!** Do not attempt to repair the appliance yourself. In case of malfunctions, repairs are to be conducted by qualified personnel only.
- **Never use a damaged appliance!** Disconnect the appliance from the electrical outlet and contact the retailer if it is damaged.
- **Warning!** Do not immerse the electrical parts of the appliance in water or other liquids. Never hold the appliance under running water.
- Regularly check the power plug and cord for any damage. If the power plug or power cord is damaged, it must be replaced by a service agent or similarly qualified persons in order to avoid danger or injury.
- Make sure the cord does not come in contact with sharp or hot objects and keep it away from open fire. To pull the plug out of the socket, always pull on the plug and not on the cord.
- Ensure that the cord (or extension cord) is positioned so that it will not cause a trip hazard.
- Always keep an eye on the appliance when in use.
- **Warning!** As long as the plug is in the socket the appliance is connected to the power source.
- Turn off the appliance before pulling the plug out of the socket.
- Never carry the appliance by the cord.
- Do not use any extra devices that are not supplied along with the appliance.
- Only connect the appliance to an electrical outlet with the voltage and frequency mentioned on the appliance label.
- Connect the power plug to an easily accessible electrical outlet so that in case of emergency the appliance can be unplugged immediately. To completely switch off the appliance pull the power plug out of the electrical outlet.
- Always turn the appliance off before disconnecting the plug.

EN



- Never use accessories other than those recommended by the manufacturer. Failure to do so could pose a safety risk to the user and could damage the appliance. Only use original parts and accessories.
- This appliance is not intended for use by persons (including children) with reduced physical, sensory or mental capabilities, or lack of experience and knowledge.
- This appliance must not be used by children under any circumstances.
- Keep the appliance and its cord out of reach of children.
- Always disconnect the appliance from the mains if it is left unattended or is not in use, and before assembly, disassembly or cleaning.
- Never leave the appliance unattended during use.

Special safety precautions

-  **Caution! Hot surface!** The temperature of the accessible surface is very hot during use. Touch the icons on the control panel only.
- When this appliance is to be positioned in close proximity to a wall, partitions, kitchen furniture, decorative finishes, etc., it is recommended that they are made of non-combustible material; if not, they shall be clad with a suitable non-combustible heat-insulating material, and that the closest attention be paid to fire prevention regulations.
- Do not place the appliance on a heating object (gasoline, electric, charcoal cooker, etc.). Keep the appliance away from any hot surfaces and open flames. Always operate the appliance on a level, stable, clean, heat-resistant and dry surface.
- Do not use the appliance near explosive or flammable materials, credit cards, magnetic discs or radios.
- This appliance is not intended to be operated by means of an external timer or separate remote-control system.
- **WARNING:** Danger of fire exists if oil level below “L” (Min) marking or no oil in the oil container.
- **WARNING:** Do not fry too wet foodstuffs and too much food at each time to avoid excessive foaming and spill out of oil. Maximum batch load is approximately 1kg.
- Allow at least 20 cm spacing around the appliance for ventilation purpose during use.
- Only use suitable oil or fat for frying. Replace the oil or fat at regular intervals. Overcooked or dirty oil or fat can be ignited if it is overheated.”
- Do not use plastic cutlery during operation.
- **Danger!** Never use old oil, old oil has a reduced flash point and is more prone to surge boiling which increases the risk of fire and dangerous situations.
- **Warning!** Deep frying moist foods and large quantities at once has a negative influence on the boiling point of the oil.
- **Warning!** Don't fry too much food at once, maximum load is approximately 2kg.
- Always clean the appliance and other accessories after each use (-->Cleaning and maintenance).
- Do not use water jet, flush directly with water or steam cleaner as the parts will get wet and electric shock might be resulted.

- **Caution!** Securely route the power cord if necessary in order to prevent unintentional pulling or contact with the heating surface.
- Do not wash the appliance with water. Washing can cause leakages and increase the risk of electric shock.
- Do not clean or store the appliance unless it is completely cooled down.
- No part is dishwasher safe.
- Always remove the plug from the socket when filling or cleaning the deep fryer.
- The electrical installation must satisfy the applicable national and local regulations.
- The Fryer tank and element should be placed in a safe position in your kitchen before usage due to the hot contents when in use.

Intended use

- This appliance is intended for professional use and can be operated only by qualified personnel.
- The appliance is designed only for frying appropriate food only such as French fries, etc. Any other use may lead to damage of the appliance or personal injury.
- Operating the appliance for any other purpose shall be deemed a misuse of the device. The user shall be solely liable for improper use of the device.

Grounding installation

This appliance is classified as protection class I appliance and must be connected to a protective ground. Grounding reduces the risk of electric shock by providing an escape wire for the electric

current. This appliance is equipped with a cord having a grounding wire with a grounding plug. The plug must be plugged into an outlet that is properly installed and grounded.

EN

Preparations before using for the first time

- Check to make sure the appliance is undamaged. In case of any damage, contact your supplier immediately and do NOT use the appliance.
- Remove all the packing material and protection film (if applicable).
- Clean the appliance with luke-warm water and a soft cloth.
- Place the appliance on a level and steady surface, unless mentioned otherwise.
- Make sure there is enough clearance around the appliance for ventilation purposes.
- Position the appliance in such a way that the plug is accessible at all times.

Installation

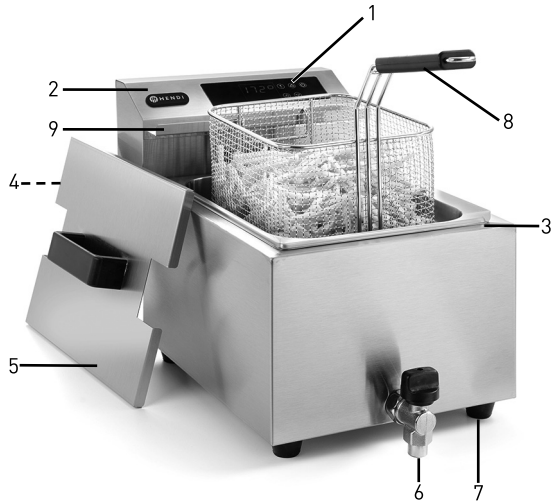
- Place the appliance on a level, stable, clean, heat-resistant and dry surface with its rubber feet.
- Carefully install the back support with heating element on the rear edge of the oil container.

Note:

1. Make sure that the pin on the back support is in the correct position & properly mounted.
2. The appliance should be placed in a safe position in your kitchen before use due to hot hazard when in use.



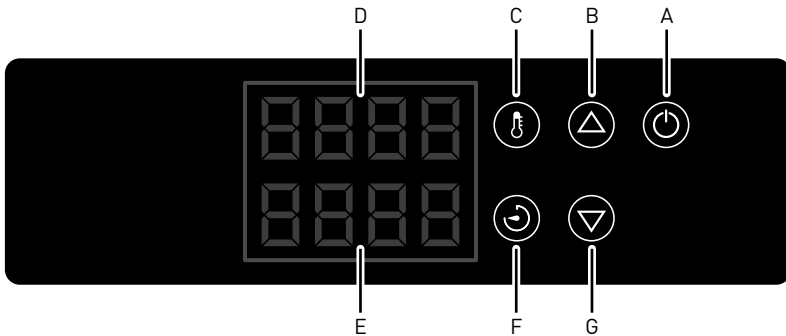
Main parts of the appliance



1. Control panel
2. Detachable back support with heating element
3. Base unit with oil container
4. RESET button (At the rear and bottom of the back support)
5. Lid cover
6. Oil drain tap
7. Feet
8. Frying basket with handle
9. Frying basket holder

EN

Function keys on the control panel



- A) ON/OFF switch
- B) Increase icon (To increase the temperature & timer setting)
- C) TEMPERATURE icon
- D) Upper display
- E) Lower display
- F) TIMER icon
- G) Decrease icon (To decrease the temperature & timer setting)



Use

- Make sure the oil drain tap is closed.
- Remove the plug from the socket.
- Make sure the oil container is clean and dry and no water inside.
- Carefully fill the container with oil between the "L" marking (Min) and the "H" marking (Max).
- Plug the earthed plug into an earthed socket.
- You can now use the deep fryer.

Deep-frying

The deep fryer is designed with a unique cold zone to allow crumbs and residue to sink to the bottom this also enables the usable life of the fat/oil to extend considerably.

Regularly check if there is sufficient oil or fat in the container. The level should never be below the "L" marking (Min) line.

Operation

1. Setting the TEMPERATURE

- 1.1 Fill the container with oil and make sure that the oil level is between the "L" and "H" mark. Note: Remember that placing food in the oil will also raise the oil level. Do not put too wet foodstuffs or large amount of food at each time.
- 1.2 Connect the power plug to a suitable electrical power outlet.
- 1.3 Press the ON/OFF Icon & light up. The INCREASE / DECREASE icon will blink. The upper display will show the current SET TEMPERATURE. (TEMPERATURE range: 25°C ~ 195°C).
- 1.4 Press INCREASE or DECREASE icon to start heating operation. The upper display will show the ACTUAL TEMPERATURE of the oil. And the TEMPERATURE icon will blink constantly.
- 1.5 You can also press TEMPERATURE icon to see the last SET TEMPERATURE for 1 ~ 2 seconds. Within this period, press INCREASE or DECREASE icon to adjust the SET TEMPERATURE if need. Press INCREASE / DECREASE icon once for +1,0°C / - 1,0°C. Press & hold for fast adjustment. After stop pressing for about 2 ~ 3 seconds, the new SET TEMPERATURE will be stored automatically.
- 1.6 Under heating operation, the TEMPERSTURE icon will blink constantly until the SET TEMPERATURE is reached. After reaching the SET TEMPERATURE, the TEMPERATURE icon light will go off and keep within a range of $\pm 2^{\circ}\text{C}$.
- 1.7 When switch off the appliance, "oFF" will be shown on the upper display and "Hot" will be shown on the lower display.

2. Setting the TIMER

- 2.1 During operation, you can activate the TIMER function.
 - 2.2 Press and hold the TIMER button for 2 ~ 3 seconds to enter TIMER set mode. The INCREASE/ DECREASE icon will blink.
 - 2.3 Then, within 1 ~ 2 seconds, press INCREASE or DECREASE icon to set the TIMER. Press once for +30 seconds / -30 seconds and lower display will show the set countdown time for TIMER. Press and hold the INCREASE or DECREASE icon for fast adjustment (TIMER Range: 30 seconds ~ 20 mins).
 - 2.4 The newly set TIMER will be stored and start countdown within about 2 ~ 3 seconds.
 - 2.5 When count down is finished, "End" will be blinked continuously on the lower display. Two short beep sounds will be heard with about 10 seconds duration for over period of 1 minute.
 - 2.6 Press the TIMER button once to return to the last preset time. Press again the TIMER button to enter TIMER set mode for changing the time. The INCREASE/DECREASE icon will blink. The newly set TIMER will be stored and start countdown again within about 2 ~ 3 seconds.
 - 2.7 During counting down, press and hold the TIMER icon for 2 ~ 3 seconds to cancel counting mode. "oFF" will be shown on the lower display.
- Attention: The frying basket holder is just for temporarily holding for excess oil discharge only. Do not hold too long time to prevent from fall down accidently and spill out of heated oil.



Calibration function

This function allows the user to calibrate and adjust the “display temperature” align with the “actual temperature”. A calibrated thermometer with probe is required [not included] for measurement.

- During operation, press and hold both the INCREASE and DECREASE buttons for 5 ~ 6 seconds to enter “calibration mode”.
- Then, the “display temperature” shown on the display will blink constantly.

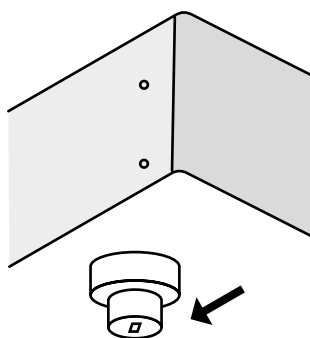
- Next, put the thermometer (not included) inside the oil tank for comparison. Be careful as the oil is hot.
- When under steady situation, press INCREASE or DECREASE button to align the “display temperature” with the reading in the thermometer (not included).
- After that, press TEMPERATURE icon to confirm it after finishing calibration.

RESET the Hi-limiter (thermal cut-out)

Please note that the RESET button is located at the bottom of the detachable back support with a protective cap (See line drawing to avoid overheat.)

- Unplug the deep fryer from the electrical outlet first.
- Allow the deep fryer to completely cool down.
- Remove the detachable back support from the support.
- Unscrew the black protective cap of the RESET button.
- Press the RESET button of the Hi-limiter (thermal cut-out). You should hear a click sound.
- Screw back the protective cap on the RESET button.

- Reinstall the detachable back support on the support.



EN

Deep frying tips

- Only use liquid frying oil (preferably) or fat.
- The recommended temperature for frying chips and snacks is 175°C max.
- Heat the oil slowly. Preferably in 3 steps for example first at 100°C, then from 100-140°C and later from 140°C to 175°C with 15 minute breaks between steps.
- Remove ice and crumbs from frozen foods.
- Do not deep-fry too much at one time. This can cause the oil or fat to cool down too much. Cooled down oil/fat does not properly sear the surface of

the food, so that more fat will be absorbed. The ideal proportion of frozen products to frying oil/fat is 1:10 maximum.

- When used intensively, crumbs and other debris should be filtered out of the oil/fat.
- Replace oil or fat in time. Use test strips or test equipment regularly to track when oil/fat should be replaced.
- If oil or fat starts to foam, smoke or gets too viscous you should replace it. Also replace the oil/fat when it has a strong smell or taste.

Solid Fat

- If you use against our advice solid fat anyway: heat the oil slowly in the lowest position until melted. When the fat has melted you can set the proper frying temperature.
- When using solid fat, allow the blocks of fat to melt slowly on a moderate heat in a normal frying

pan. Carefully pour the melted fat into the deep fryer. Plug in the mains plug and switch on the deep fat fryer.

- Remove the deep frying basket after use from the fat. This prevents the basket becoming stuck in the solidified fat.



After use

- Turn off the appliance by pressing the ON/OFF icon and removing the plug from the socket.
- Remove the basket from the oil container. This avoids the basket becoming stuck in the solidified fat.
- Put the lid on the deep fryer, so that the fat does not age.

Cleaning and maintenance

- Always remove the plug from the socket cool down completely before cleaning the appliance.
- Beware: Never immerse the appliance in water or any other liquid!
- Clean the outside of the appliance with a damp cloth (water with mild detergent).
- Never use aggressive cleaning agents or abrasives. Do not use any sharp or pointed objects. Do not use petrol or solvents! Clean with a damp cloth and detergent if necessary. Do not use abrasive materials.
- Do not clean the appliance with steam cleaner or water jet.
- Assemble the appliance after cleaning and make sure that the heating & control panel is mounted properly, otherwise the appliance will not function.

Technical Specification

Item no	207369	207376
Operating voltage & frequency	230V~ 50Hz	
Rated input power	3500W	2 x 3500W
Capacity	8L (with tap)	2 x 8L (with tap)
Protection class	Class I	
Waterproof protection class	IPX3	
Timer range	30 seconds ~ 20 minutes	
Temperature range	25°C ~ 195°C	
Exterior dimension	300x515x(H)345mm	605x515x(H)345mm

Remarks: Technical specification is subjected to change without prior notification.



Troubleshooting

If the appliance does not function properly, please check the below table for the solution. If you are still unable to solve the problem, please contact the supplier/service provider.

Fault	Symptom	Possible cause	Possible solution
Appliance does not do anything	Orange light doesn't light	No mains voltage	Check the electrical installation. Switch light defective
		Hi-limiter (thermal cut-out) tripped.	Reset the Hi-limiter (thermal cut-out) (See RESET on page 8)
		Hi-limiter (thermal cut-out) defective	Contact your supplier
		Thermostat defective	Contact your supplier
Appliance does not reach the set temperature.	Long frying time.	Thermostat defective	Contact your supplier
		Element defective	Contact your supplier

If after these controls, the malfunctioning continues, it is advisable to contact technical assistance. In case of any doubt, always contact your supplier!

Warranty

Any defect affecting the functionality of the appliance which becomes apparent within one year after purchase will be repaired by free repair or replacement provided the appliance has been used and maintained in accordance with the instructions and has not been abused or misused in any way. Your statutory rights are not affected. If the appliance is claimed under warranty, state where and

when it was purchased and include proof of purchase (e.g. receipt).

In line with our policy of continuous product development we reserve the right to change the product, packaging and documentation specifications without notice.

Discarding & Environment

When decommissioning the appliance, the product must not be disposed of with other household waste. Instead, it is your responsibility to dispose of your waste equipment by handing it over to a designated collection point. Failure to follow this rule may be penalized in accordance with applicable regulations on waste disposal. The separate collection and recycling of your waste equipment at the time of disposal will help conserve natural re-

sources and ensure that it is recycled in a manner that protects human health and the environment. For more information about where you can drop off your waste for recycling, please contact your local waste collection company. The manufacturers and importers do not take responsibility for recycling, treatment and ecological disposal, either directly or through a public system.

Sehr geehrte Kundin, sehr geehrter Kunde,

wir danken Ihnen für den Kauf des Gerätes Hendi. Machen Sie sich bitte mit dieser Anleitung noch vor der Inbetriebnahme des Gerätes vertraut, um Schäden durch die unsachgemäße Bedienung zu vermeiden. Den Sicherheitsregeln ist besondere Aufmerksamkeit zu widmen.

Sicherheitsregeln

- Die unsachgemäße Bedienung des Geräts kann zur schweren Beschädigung des Geräts sowie zu Verletzungen führen.
- Dieses Gerät ist nur für den gewerblichen Gebrauch bestim.
- Das Gerät ist ausschließlich zu dem Zweck zu benutzen, zu dem es hergestellt wurde. Der Hersteller haftet nicht für Schäden, die auf unsachgemäße Bedienung des Geräts zurückzuführen sind.
- Den Kontakt des Gerätes und des Steckers mit Wasser oder einer anderen Flüssigkeit vermeiden. Den Stecker unverzüglich aus dem Stecker ziehen und das Gerät von einem anerkannten Fachmann prüfen lassen, wenn das Gerät unbeabsichtigterweise ins Wasser fällt. Bei Nichteinhaltung dieser Sicherheitsvorschriften besteht Lebensgefahr.
- Nie eigenständig das Gehäuse des Gerätes zu öffnen versuchen.
- In das Gehäuse des Gerätes keine Gegenstände einführen.
- Den Stecker nicht mit nassen oder feuchten Händen berühren.
- ⚠ **Gefahr eines Stromschlags!** Das Gerät darf nicht selbstständig repariert werden. Sämtliche Mängel und Unzulänglichkeiten sind ausschließlich durch qualifiziertes Personal zu beseitigen.
- **Niemals ein beschädigtes Gerät benutzen!** Das beschädigte Gerät vom Netz trennen und sich mit dem Verkäufer in Verbindung setzen.
- **Warnung:** Die Elektroteile des Gerätes dürfen weder in Wasser noch in andere Flüssigkeiten getaucht werden. Ebenso ist das Gerät nicht unter fließendes Wasser zu halten.
- Der Stecker und die Stromversorgungsleitung sind regelmäßig auf Beschädigungen zu prüfen. Der beschädigte Stecker oder Leitung sind an eine Servicestelle oder einer anderen qualifizierten Person zur Reparatur zu übergeben, um eventuellen Gefahren und Verletzungen des Körpers vorzubeugen.
- Man muss sich davon überzeugen, ob die Stromversorgungsleitung weder mit scharfkantigen noch mit heißen Gegenständen in Berührung kommt; halten Sie die Leitung weit entfernt von einer offenen Flamme. Um den Stecker aus der Netzsteckdose zu nehmen, muss man immer am Stecker und nicht an der Leitung ziehen.
- Die Stromversorgungsleitung (oder Verlängerungsleitung) ist vor dem zufälligen Herausziehen aus der Steckdose zu schützen. Die Stromversorgungsleitung muss so geführt werden, dass niemand zufällig darüber stolpern kann.
- Das Gerät muss während seiner Anwendung ständig kontrolliert werden.
- **Warnung!** Wenn der Stecker in der Netzsteckdose ist, muss man das Gerät als an die Stromversorgung angeschlossen betrachten.
- Bevor der Stecker aus der Netzsteckdose genommen wird, ist das Gerät auszuschalten.

DE



- Das Gerät darf beim Tragen nicht an der Leitung gehalten werden.
- Benutzen Sie kein Zubehör, das nicht mit diesem Gerät mitgeliefert wurde.
- Das Gerät muss man ausschließlich an die Steckdose mit solch einer Spannung und Frequenz anschließen, wie auf dem Typenschild angegeben wird.
- Stecken Sie den Stecker in die Steckdose, die an einem leicht und bequem zugänglichen Ort angeordnet ist, und zwar so, dass das Gerät bei einer Störung sofort abgeschaltet werden kann. Um das Gerät vollständig auszuschalten, muss man es von der Stromquelle trennen. Zu diesem Zweck muss man den Stecker, der sich am Ende der vom Gerät getrennten Leitung befindet, aus der Netzsteckdose ziehen.
- Vor dem Abtrennen des Steckers ist das Gerät auszuschalten!
- Benutzen Sie kein Zubehör, das nicht vom Hersteller empfohlen wird. Die Anwendung vom nicht empfohlenen Zubehör stellt eine Gefahr für den Nutzer dar und kann zur Beschädigung des Gerätes führen. Benutzen Sie ausschließlich Ersatzteile und Zubehör im Original.
- Dieses Gerät eignet sich nicht für den Gebrauch durch Personen (gilt auch für Kinder) mit geringerer Motorik, Sensorik oder geistiger Fähigkeit oder mangelhafter Erfahrung und Wissen.
- Auf keinen Fall darf das Bedienen des Gerätes durch Kinder zugelassen werden.
- Das Gerät mit Stromversorgungsleitung ist außerhalb der Reichweite von Kindern zu lagern.
- Ebenso muss dafür gesorgt werden, dass die Kinder das Gerät nicht zum Spielen benutzen.
- Das Gerät ist immer dann von der Stromversorgung zu trennen, wenn es ohne Aufsicht bleiben soll bzw. auch vor der Montage, Demontage und Reinigung.
- Während der Nutzung darf das Gerät nicht ohne Aufsicht gelassen werden.

DE

Spezielle Sicherheitsvorschriften

-  **Achtung! Heiße Fläche!** Während des Betriebs ist die Temperatur der zugänglichen Oberfläche des Geräts sehr hoch. Berühren Sie ausschließlich die Tasten des Steuerpanels.
- Wenn das Gerät in unmittelbarer Nähe zu einer Wand, Trennwänden, Küchenmöbeln, dekorativen Oberflächen usw. gestellt werden soll, empfiehlt es sich ihre Bedeckung mit feuerbeständigen Materialien; wenn dieses aber nicht möglich ist, sind diese Oberflächen mit einem geeigneten nicht brennbaren, wärmedämmenden Material bekleidet, wobei die Brandschutzvorschriften zu beachten sind.
- Stellen Sie das Gerät nicht auf einen wärmemittehenden Gegenstand (Gasherd, Elektroherd, Grill, usw.). Lagern Sie es weit entfernt von heißen Flächen oder offenem Feuer. Stellen Sie das Gerät auf eine ebene, stabile, saubere und trockene Fläche auf, die auch gegen die Einwirkung hoher Temperaturen beständig ist.
- Das Gerät darf auch in der Nähe von explosiven oder leichtbrennbaren Materialien, Geldkarten, Magnetplatten oder Rundfunkempfängern nicht verwendet werden.



- Das Gerät ist für die Bedienung durch einen externen Timer oder ein gesondertes Fernsteuersystem nicht geeignet.
- **WARNUNG:** Wenn der Ölstand im Behälter unter die L-Markierung (Minimalwert) greift oder wenn der Behälter leer ist, besteht eine Brandgefahr.
- **WARNUNG:** Backen Sie im Gerät keine Lebensmittel aus, die viel Wasser enthalten, um so das Schäumen und Überschwappen des Öls zu verhindern. In die Ausbackkammer kann man maximal 1 kg der Lebensmittel einlegen.
- Belassen Sie einen Freiraum von mindestens 20 cm rundum das Gerät, um eine richtige Belüftung zu gewährleisten.
- Verwenden Sie ausschließlich das Bratöl. Tauschen Sie regelmäßig Öl oder Fett im Behälter aus. Altes oder verschmutztes Öl kann sich nach seinem Aufwärmen auf eine zu sehr hohe Temperatur brennen.
- Verwenden Sie kein Besteck aus Kunststoff während des Betriebs des Geräts.
- **Gefahr!** Verwenden Sie niemals Altöl, da es einen niedrigeren Flammpunkt hat und für das plötzliche Sieden anfälliger ist, was das Risiko von Feuer oder gefährlichen Situationen erhöht.
- **Warnung!** Das Einlegen von Lebensmitteln mit einem zu großen Wassergehalt oder in einer zu großen Menge beeinflusst das Erreichen des Siedepunktes durch das Öl.
- Aus Sicherheitsgründen darf man bei jedem Braten nicht zu große Menge von Lebensmitteln (maximal ca. 2 kg) einlegen.
- Reinigen Sie das Gerät und sein Zubehör nach jedem Gebrauch (--> Reinigung und Wartung).
- Reinigen Sie das Gerät nicht mit einem Wasserstrahl unter Druck oder einem Dampfreiniger, spülen Sie das Gerät nicht mit Wasser ab, da die Teile im Gerät feucht werden oder eingetaucht werden können, was den Stromschlag verursacht.
- **Achtung!** Führen und sichern Sie entsprechend das Stromkabel, um ein unbeabsichtigtes Ziehen oder Berühren der erhitzten Oberfläche zu vermeiden.
- Reinigen Sie das Gerät nicht mit Wasser. Beim Waschen des Geräts kann Wasser in den elektrischen Teil gelangen und so zu einem Stromschlag führen.
- Reinigen und stellen Sie das Gerät nicht am Lagerort ab, bis es nicht völlig abgekühlt ist.
- Die Teile des Geräts dürfen in der Spülmaschine nicht gereinigt werden.
- Ziehen Sie den Stecker aus der Steckdose, bevor das Gerät gereinigt oder gefüllt wird.
- Die Elektroanlage muss entsprechende nationale und örtliche Anforderungen erfüllen.
- Stellen Sie sich sicher, dass sich der Ölbehälter und das Heizelement an einer sicheren Stelle in der Küche wegen einer hohen Temperatur des Geräts während des Betriebs befinden.



Verwendungszweck des Gerätes

- Dieses Gerät ist für den professionellen Gebrauch bestimmt und darf nur von qualifiziertem Personal bedient werden.
- Das Gerät ist für den gewerblichen Einsatz bestimmt und dient zum das Frittieren geeigneter Lebensmittel, wie z.B. Pommes frites usw. konzipiert. Die Verwendung des Gerätes für andere Zwecke kann zu seiner Beschädigung sowie zu Körperverletzungen führen.
- Jede andere Verwendung des Gerätes gilt als nicht bestimmungsgemäß. Der Benutzer ist allein verantwortlich für die unsachgemäße Nutzung des Gerätes.

Montage der Erdung

Der Mixer ist ein Gerät der I. Schutzklasse und erfordert eine Erdung. Die Erdung verringert das Risiko eines Stromschlags, da der elektrische Strom über den Schutzleiter abgeleitet wird. Das Gerät ist

mit einem Schutzleiter mit Erdungskontakt ausgerüstet. Der Stecker muss an die Netzsteckdose angeschlossen werden, die entsprechend montiert und geerdet wurde.

Vorbereitung der Inbetriebnahme

- Das Gerät auf Schäden hin prüfen. Setzen Sie sich im Beschädigungsfall sofort mit Ihrem Lieferanten in Verbindung und benutzen Sie das Gerät NICHT.
- Die gesamte Verpackung und eventuell vorliegende Schutzfolie entfernen.
- Das Gerät mit lauwarmem Wasser und einem weichen Tuch reinigen.
- Das Gerät waagrecht hinstellen sofern nicht anders angegeben ist.
- Um das Gerät herum sollte ausreichender Freiraum vorliegen.
- Das Gerät so aufstellen, dass der Stecker jederzeit abgezogen werden kann.

DE

Montage

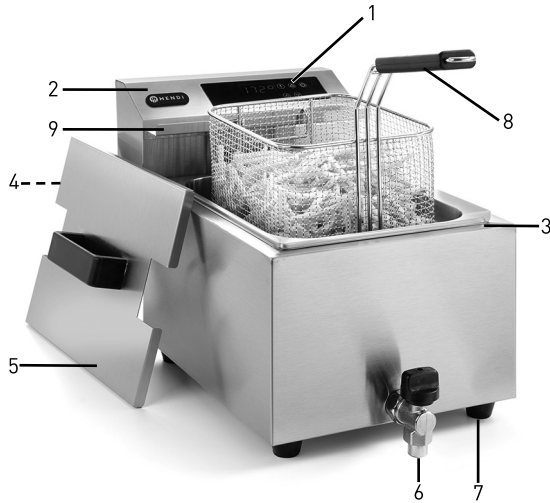
- Das Gerät ist mit Gummifüßen ausgestattet. Stellen Sie das Gerät auf eine ebene, stabile, saubere und trockene Fläche auf, die auch gegen die Einwirkung hoher Temperaturen beständig ist.
- Montieren Sie vorsichtig die hintere Stütze des Geräts mit dem Heizelement hinten am Ölbehälter.

Achtung:

1. Stellen Sie sich sicher, dass der Bolzen an der hinteren Stütze des Geräts richtig befestigt wurde.
2. Bevor Sie mit dem Betrieb beginnen, stellen Sie sich sicher, dass sich der Ölbehälter und das Heizelement an einer sicheren Stelle in der Küche wegen einer hohen Temperatur des Geräts während des Betriebs befinden.

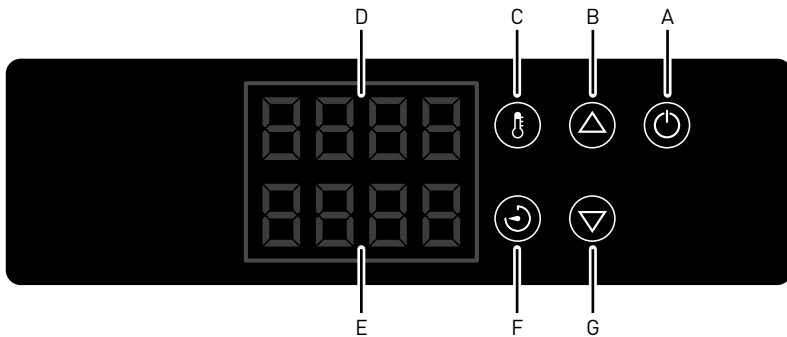


Hauptteile des Gerätes



- 1. Steuerpanel
- 2. Abnehmbare hintere Stütze des Geräts mit Heizelement
- 3. Haupteinheit mit Ölbehälter
- 4. Rückstelltaste (im hinteren, unteren Teil der hinteren Stütze)
- 5. Deckel
- 6. Ölablasshahn
- 7. Füße
- 8. Frittierkorb mit Griff
- 9. Halteleiste des Frittierkorbs

Steuerpanel



- A) EIN-/AUS-Schalter
- B) Taste für die Erhöhung der Werte (Temperatur & Timer)
- C) TEMPERATUR-Taste
- D) Oberes Display
- E) Unteres Display
- F) TIMER-Taste
- G) Taste für die Verringerung der Werte (Temperatur & Timer)

Betrieb

- Stellen Sie sich sicher, dass der Ölablasshahn geschlossen ist.
- Ziehen Sie den Stecker aus der Steckdose.
- Prüfen Sie, ob der Ölbehälter sauber ist und es kein Wasser im Gerät gibt.
- Füllen Sie vorsichtig den Behälter mit Öl - der

Ölstand sollte sich zwischen der L-Markierung (Minimalwert) und H-Markierung (Maximalwert) befinden.

- Stecken Sie den Schukostecker in eine geerdete Steckdose.
- Sie können jetzt frittieren.

Frittieren

Die Fritteuse besitzt einen einzigartigen Kältebereich, wodurch Backreste und Krümel auf den Boden sinken und das Fett wesentlich länger hält.

Kontrollieren Sie regelmäßig, ob sich genug Öl oder Fett im Behälter befindet. Der Füllstand darf nie unter die L-Markierung (Minimalwert) geraten.

Bedienung

1. Einstellung der TEMPERATUR

1.1 Füllen Sie den Behälter mit Öl und stellen Sie sich sicher, dass sich der Ölstand zwischen der L- und H-Markierung befindet. Achten Sie darauf, dass der Ölstand durch die Zugabe der Lebensmittel steigt. Legen Sie weder nasse Lebensmittel noch zu viele Lebensmittel auf einmal in den Behälter ein.

1.2 Schließen Sie den Stecker an die entsprechende Elektrosteckdose an.

1.3 Drücken Sie die Taste „EIN/AUS“ - die Taste leuchtet auf. Die Tasten für die ERHÖHUNG und VERRINGERUNG der Werte beginnen zu blinken. Auf dem oberen Display erscheint die letzte eingestellte Temperatur. (Temperaturbereich: 25°C - 195°C).

1.4 Drücken Sie die Tasten für die ERHÖHUNG oder VERRINGERUNG der Werte, um mit dem Erhitzungsvorgang zu beginnen. Auf dem oberen Display erscheint die AKTUELLE TEMPERATUR von Öl. Die Taste der TEMPERATUR wird dauerhaft blinken.

1.5 Sie können auch die Taste der TEMPERATUR wählen, um für 1-2 Sekunden die letzte EINGE-

STELLTE TEMPERATUR aufzuzeigen. Drücken Sie mittlerweile die Taste für die ERHÖHUNG oder VERRINGERUNG der Temperatur, um die EINGESTELLTE TEMPERATUR zu ändern (falls notwendig). Drücken Sie die Taste für die ERHÖHUNG oder VERRINGERUNG der Temperatur einmal, um die Temperatur um 1 °C zu erhöhen oder zu verringern. Drücken und halten Sie gedrückt die Taste, um den eingestellten Wert schneller zu ändern. Mit dem Freigeben der Taste wird die NEUE TEMPERATUR nach Ablauf von ca. 2-3 Sekunden automatisch eingestellt.

1.6 Beim Erhitzen wird die Taste der TEMPERATUR blinken, bis das Öl die EINGESTELLTE TEMPERATUR erreicht. Nach dem Erreichen der EINGESTELLTEN TEMPERATUR, erlischt die Taste der TEMPERATUR und das Gerät wird die EINGESTELLTE TEMPERATUR (± 2 °C) aufrechterhalten.

1.7 Nach dem Ausschalten des Geräts erscheint in der oberen Linie des Displays die Mitteilung „OFF“, und in der unteren Linie des Displays - „Hot“.

2. Einstellung des TIMERS

2.1 Während des Betriebs des Geräts kann man die TIMER-Funktion einstellen.

2.2 Drücken und halten Sie gedrückt die TIMER-Taste für 2-3 Sekunden, um in den Modus der TIMER-Einstellung zu gehen. Die Tasten für die ERHÖHUNG und VERRINGERUNG der Werte beginnen zu blinken.

2.3 Drücken Sie innerhalb von 1-2 Sekunden die Taste für die ERHÖHUNG oder VERRINGERUNG

der Werte, um die Zeit des TIMERS einzustellen. Das einmalige Drücken der Taste ändert den angegebenen Wert um 30 Sekunden - in der unteren Linie des Displays wird die aktuelle Einstellungszeit des TIMERS aufgezeigt. Drücken und halten Sie gedrückt die Taste für die ERHÖHUNG oder VERRINGERUNG der Werte, um die gewünschten Werte schneller einzustellen (TIMER-Bereich: 30 Sekunden - 20 Minuten).

2.4 Die neu eingestellte Zeit des TIMERS wird gespeichert und nach 2-3 Sekunden wird das Abzählen begonnen.

2.5 Nach Beendigung des Abzählens erscheint in der unteren Linie des Displays die Mitteilung „End“. Für etwa 1 Minute werden zwei kurze Signaltöne emittiert (bis zu 10 Sekunden).

2.6 Drücken Sie einmalig die TIMER-Taste, um zur letzten eingestellten Zeit zurückzukehren. Drücken Sie die TIMER-Taste erneut, um in den TIMER-Einstellmodus zu gehen und die eingestellte Zeit zu ändern. Die Tasten für die

ERHÖHUNG und VERRINGERUNG der Werte beginnen zu blinken. Die neu eingestellte Zeit des TIMERS wird gespeichert und nach 2-3 Sekunden wird das Abzählen erneut begonnen.

Achtung: Die Halteleiste des Frittierkorbs dient zum vorübergehenden Halten des Korbs beim Abseihen des überschüssigen Öls. Stützen Sie den Korb auf die Halteleiste nicht zu lange, um so ein eventuelles Herabfallen und Verschütten des heißen Öls zu verhindern.

Kalibrierung

Diese Funktion ermöglicht es dem Benutzer, die „Anzeigetemperatur“ zu kalibrieren und einzustellen, damit sie der „Ist-Temperatur“ entspricht. Um die Messung vorzunehmen, ist das Thermometer mit Sonde (nicht mitgeliefert) erforderlich.

- Drücken und halten Sie gedrückt die beiden Tasten für die ERHÖHUNG und VERRINGERUNG der Werte für 5-6 Sekunden während des Betriebs des Geräts, um den „Kalibrierungsmodus“ zu betätigen.
- Die „Anzeigetemperatur“ auf dem Display beginnt zu blinken.

- Legen Sie das Thermometer (nicht mitgeliefert) in den Ölbehälter ein, um die Ergebnisse zu vergleichen. Seien Sie vorsichtig: das Öl im Behälter ist heiß.
- Ändern Sie die „Anzeigetemperatur“ mit den Tasten für die ERHÖHUNG und VERRINGERUNG der Werte entsprechend der Ablesung des Thermometers (nicht mitgeliefert).
- Zwecks der Bestätigung ist die Taste der TEMPERATUR nach Beendigung der Kalibrierung zu drücken.

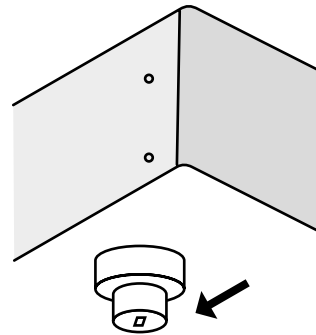
DE

Rückstelltaste der Thermosicherung (Überhitzungssicherung)

Denken Sie daran, dass sich die Rückstelltaste (Überhitzungssicherung) im unteren Teil der abnehmbaren hinteren Stütze befindet und mit einem Aufsatz gesichert ist (siehe Abbildung).

- Trennen Sie zuerst das Gerät von der Stromquelle, indem Sie den Stecker aus der Steckdose ziehen.
- Lassen Sie das Gerät völlig abkühlen.
- Demontieren Sie die abnehmbare hintere Stütze von der Haupteinheit
- Schrauben Sie die schwarze Schutzkappe der Rückstelltaste ab.
- Drücken Sie die Rückstelltaste der Überhitzungsschutz (Thermische Abschaltung). Es ist ein Klicken zu hören.

- Schrauben Sie die schwarze Schutzkappe der Rückstelltaste wieder auf.
- Befestigen Sie wieder die abnehmbare hintere Stütze an der Haupteinheit.



Tipps zum Frittieren

- Verwenden Sie flüssiges Bratöl (vorzugsweise) oder -fett.
- Die empfohlene Frittier-Temperatur ist max. 175° C.
- Erhitzen Sie das Öl langsam in drei Stufen, zum Beispiel zuerst auf 100° C, auf 140° C und auf 175° C, mit je einer 15-minütigen Unterbrechung.
- Entfernen Sie Eis und Krümel vom gefrorenen Frittiergut.
- Frittieren Sie nicht zu viel auf einmal, dass kann eine Abkühlung des Fettes bzw. des Öles verursachen. Zu kaltes Öl/Fett kann von den Speisen aufgesogen werden, ideales Verhältnis ist max. 1:10.
- Filtern sie nach Verwendung die Krümel und andere Reste aus dem Öl/Fett.
- Wechseln das Öl/Fett regelmäßig. Benutzen Sie Teststreifen oder Ähnliches zur regelmäßigen Kontrolle.
- Falls Das Öl/Fett zu schäumen, rauchen, oder zu stinken beginnt wechseln Sie es.

Festes Fett

- Wenn Sie gegen unseren Rat doch festes Fritierfett verwenden: erhitzen Sie das Fett langsam auf der kleinsten Stufe bis es geschmolzen ist. Wenn es geschmolzen ist können Sie die richtige Temperatur wählen.
- Bei der Verwendung von frischem Fett schmelzen Sie die Fettblöcke zunächst langsam bei kleiner Hitze in einer normalen Pfanne. Gießen Sie das geschmolzene Fett vorsichtig in die Friteuse. Stecken Sie erst dann den Netzstecker ein und schalten Sie die Friteuse ein.
- Entfernen Sie den Korb aus dem Fett. Damit verhindern Sie, dass sich der Korb im geronnenen Fett festsetzt.

Nach dem Gebrauch

- Schalten Sie das Gerät aus, indem Sie den Schalter ausschalten und den Stecker aus der Steckdose herausziehen.
- Nehmen Sie den Korb aus dem Ölbehälter heraus. So setzt sich der Korb im geronnenen Fett nicht fest
- Legen Sie den Deckel auf die Friteuse, sodass das Fett frisch bleibt.

Reinigung und Wartung

- Vor der Reinigung des Geräts ist es immer von der Stromquelle zu trennen und völlig abkühlen zu lassen.
- Achtung: Tauchen Sie das Gerät nicht in Wasser oder andere Flüssigkeiten ein!
- Das Gehäuse mit einem feuchten Tuch (Wasser mit einem milden Reinigungsmittel) reinigen.
- Keine aggressiven Reinigungs- oder Scheuermittel benutzen. Keine scharfen, spitzen Gegenstände benutzen. Kein Benzin und keine Lösungsmittel benutzen! Das Gerät mit einem feuchten Tuch und eventuell Spülmittel reinigen. Keine Scheuermittel benutzen.
- Die Geräte sind weder mit Hilfe eines Dampfreinigers noch mit einem Wasserstrahl zu reinigen.
- Nach dem Reinigen muss man das Gerät erneut zusammenbauen und dafür sorgen, dass das Kontrollpanel (Heizpanel) entsprechend montiert ist – andernfalls wird das Gerät nicht richtig funktionieren.

Technische Spezifikation

Bestellnummer	207369	207376
Betriebsspannung und Frequenz	230V~ 50Hz	
Nennleistungsaufnahme	3500W	2 x 3500W
Volumen	8L (mit Ventil)	2 x 8L (mit Ventil)
Schutzklasse	Klasse I	
Wasserbeständigkeitsklasse	IPX3	
Timer-Bereich	30 Sekunden ~ 20 Minuten	
Temperaturbereich	25°C ~ 195°C	
Außenabmessungen	300x515x(H)345mm	605x515x(H)345mm

Hinweis: Die technische Spezifikation kann ohne Vorankündigung verändert werden.

Entdeckung und Beseitigung von Mängeln

Wenn das Gerät nicht richtig funktioniert, muss man sich zum Finden der richtigen Lösung mit der nachfolgenden Tabelle vertraut machen. Wenn Sie das Problem nicht lösen können, dann setzen Sie sich bitte mit dem Lieferanten in Verbindung.

Störung	Phänomen	Ursache	evt. Lösung
Das Gerät funktioniert nicht.	Oranges Licht leuchtet nicht	Keine Netzspannung.	Kontrollieren Sie die elektrische Anlage. Schalter defekt.
		Überhitzungsschutz (Thermische Abschaltung) wurde aktiviert.	Überhitzungsschutz (Thermische Abschaltung) rücksetzen (siehe auf Seite 17)
		Überhitzungsschutz (Thermische Abschaltung) defekt.	Kontakt mit dem Lieferanten aufnehmen
		Thermostat defekt.	Kontakt mit dem Lieferanten aufnehmen
Das Gerät erreicht die eingestellte Temperatur nicht.	Lange Frittier Dauer.	Thermostat defekt.	Kontakt mit dem Lieferanten aufnehmen
		Element defekt.	Kontakt mit dem Lieferanten aufnehmen

Wenn trotz aller Kontrollen das Gerät weiterhin Störungen aufweist wenden Sie sich bitte an den Kundendienst. Setzen Sie sich im Zweifelsfall auch mit Ihrem Lieferanten in Verbindung!

DE



Garantie

Alle innerhalb von einem Jahr nach dem Kaufdatum festgestellten Defekte oder Mängel, die die Funktionalität des Gerätes beeinträchtigen, werden auf dem Wege der unentgeltlichen Reparatur bzw. des Austausches unter der Voraussetzung beseitigt, dass das Gerät in einer der Bedienungsanleitung gemäßen Art und Weise betrieben und gewartet wird und weder vorsätzlich vernichtet noch nicht bestimmungsgemäß genutzt wurde. Ihre Rechte aus den entsprechenden Gesetzen

bleiben davon unberührt. Eine in der Garantiefrist einzureichende Beanstandung hat die Angabe des Kaufortes und Kaufdatums und in der Anlage einen Kaufbeleg (z.B. Kassenzettel) zu enthalten.

Gemäß unserer Politik der ständigen Weiterentwicklung unserer Produkte behalten wir uns vor, Änderungen am Produkt, an seiner Verpackung und an den dokumentierten technischen Daten ohne vorherige Ankündigung vorzunehmen.

Entsorgung und Umweltschutz

Wird das Gerät außer Betrieb genommen, darf es nicht über den Hausmüll entsorgt werden. Der Benutzer ist für die Übergabe des Gerätes an eine geeignete Sammelstelle für Altgeräte verantwortlich. Die Nichteinhaltung dieser Regel kann gemäß den geltenden Vorschriften über die Abfallentsorgung bestraft werden. Die getrennte Sammlung und das Recycling der Altgeräte trägt zur Schonung der natürlichen Ressourcen bei und sorgt

für eine umwelt- und gesundheitsschonende Verwertungsweise. Weitere Informationen darüber, wo Sie Ihre Altgeräte entsorgen können, erhalten Sie bei Ihrem örtlichen Entsorgungsunternehmen. Der Hersteller und der Importeur übernehmen keine Verantwortung für das Recycling sowie die umweltfreundliche Verwertung von Abfällen, weder direkt noch über ein öffentliches System.

Geachte klant,

Hartelijk dank voor de aankoop van dit Hendi apparaat. Leest u deze gebruiksaanwijzing zorgvuldig voordat u het apparaat gebruikt, dit om schade door verkeerd gebruik te voorkomen. Lees vooral de veiligheidsinstructies aandachtig door.

Veiligheidsinstructies

- Onjuiste bediening en verkeerd gebruik van het apparaat kan ernstige schade aan het apparaat en verwonding van personen tot gevolg hebben.
- Dit apparaat is enkel bedoeld voor commercieel gebruik.
- Het apparaat mag alleen worden gebruikt voor het doel waarvoor het werd ontworpen. De fabrikant aanvaardt geen enkele aansprakelijkheid voor schade als gevolg van onjuiste bediening en verkeerd gebruik.
- Zorg dat het apparaat en de stekker niet met water of een andere vloeistof in aanraking komen. Mocht het apparaat onverhoopt in het water vallen, trek dan onmiddellijk de stekker uit het stopcontact en laat het apparaat controleren door een erkend vakman. Niet-naleving hiervan kan levensgevaar opleveren.
- Probeer nooit zelf de behuizing van het apparaat te openen.
- Steek geen voorwerpen in de behuizing van het apparaat.
- Raak de stekker niet met natte of vochtige handen aan.
- ⚠ **Gevaar van elektrische schokken!** Probeer het apparaat niet zelf te repareren. In het geval van storingen, laat reparaties alleen uitvoeren door gekwalificeerd personeel.
- **Gebruik nooit een beschadigd apparaat!** Als het apparaat is beschadigd, haal de stekker dan uit het stopcontact en neem contact op met de winkel.
- **Waarschuwing!** Dompel de elektrische onderdelen van het apparaat niet onder in water of andere vloeistoffen. Houd het apparaat nooit onder stromend water.
- Controleer de stekker en het netsnoer regelmatig op schade. Als de stekker of het netsnoer is beschadigd, moet het worden vervangen door de technische dienst of een soortgelijk gekwalificeerd persoon om gevaar of letsel te voorkomen.
- Zorg ervoor dat het netsnoer niet in contact komt met scherpe of hete voorwerpen en houd het uit de buurt van open vuur. Als u de stekker uit het stopcontact wilt halen, trek dan altijd aan de stekker en niet aan het netsnoer.
- Zorg ervoor dat niemand per ongeluk aan het netsnoer (of verlengsnoer) kan trekken of kan struikelen over het netsnoer.
- Houd het apparaat in de gaten tijdens gebruik.
- **Waarschuwing!** Zolang de stekker in het stopcontact zit, is het apparaat aangesloten op de voedingsbron.
- Schakel het apparaat uit voordat u de stekker uit het stopcontact trekt.
- Draag het apparaat nooit aan het netsnoer.
- Gebruik geen extra hulpmiddelen die niet worden meegeleverd met het apparaat.
- Sluit het apparaat alleen aan op een stopcontact met de spanning en frequentie die is vermeld op het typeplaatje.

NL



- Sluit de stekker aan op een stopcontact dat eenvoudig bereikt kan worden, zodat de stekker in geval van nood onmiddellijk uit het stopcontact kan worden getrokken. Trek de stekker volledig uit het stopcontact om het apparaat volledig uit te schakelen. Gebruik de stekker om het apparaat los te koppelen van het lichtnet.
- Schakel het apparaat altijd uit voordat u de stekker uit het stopcontact trekt.
- Gebruik nooit accessoires die niet worden aanbevolen door de fabrikant. Zij kunnen mogelijk een veiligheidsrisico vormen voor de gebruiker en kunnen het apparaat mogelijk beschadigen. Gebruik alleen originele onderdelen en accessoires.
- Dit apparaat is niet geschikt voor gebruik door personen (inclusief kinderen) met een verminderd fysiek, sensorisch of geestelijk vermogen, of gebrek aan ervaring en kennis.
- Dit apparaat mag onder geen enkele omstandigheid worden gebruikt door kinderen.
- Houd het apparaat en het netsnoer buiten bereik van kinderen.
- Kinderen mogen niet met het apparaat spelen.
- Koppel het apparaat altijd los van het lichtnet als het onbeheerd wordt achtergelaten en voordat het apparaat wordt gemonteerd, gedemonteerd of gereinigd.
- Laat het apparaat nooit onbeheerd achter tijdens gebruik.

Speciale veiligheidsvoorschriften

-  **Let op! Heet oppervlak!** De temperatuur van het bereikbare oppervlak is zeer heet tijdens gebruik. Raak alleen de knoppen op het bedieningspaneel aan.
- Als dit apparaat in de buurt van muren, scheidingswanden, keukenmeubilair, decoratieve afwerkingen, etc. wordt geplaatst, wordt aanbevolen dat deze zijn gemaakt van niet-brandbaar materiaal; als dit niet het geval is, moeten ze worden gecoat met een niet-brandbare warmte-isulerend materiaal, en moet er zeer veel aandacht worden besteed aan de brandpreventievoorschriften.
- Plaats het apparaat niet op een verwarmingsvoorwerp (kooktoestel op benzine, elektriciteit, houtskool, etc.). Houd het apparaat uit de buurt van warme oppervlakken en open vuur. Gebruik het apparaat altijd op een vlakke, stabiele, schone, hittebestendige en droge ondergrond.
- Gebruik het apparaat niet in de buurt van explosieve of ontvlambare materialen, creditcards, magnetische schijven of radio's.
- Dit apparaat is niet bedoeld om gebruikt te worden in combinatie met een externe timer of apart systeem voor gebruik op afstand.
- **WAARSCHUWING:** Er bestaat brandgevaar indien de olie onder de L-markering (het minimumniveau) zakt of er geen olie in de bak zit.
- **WAARSCHUWING:** Frituur nooit te natte voedingsmiddelen of te veel voedingsmiddelen per keer om overmatig schuimen en oliespatters te voorkomen. U kunt per keer ca. 1 kg in de bak plaatsen.
- Laat minimaal 20 cm ruimte vrij rond het apparaat voor voldoende ventilatie.
- Gebruik alleen olie of vet dat geschikt is voor frituren. Vervang de olie of het vet regelmatig. Te lang gebruikte of vuile olie of vet kan tot worden ontstoken wanneer het wordt oververhit."

- Gebruik geen plastic keukengerei tijdens gebruik.
- **Gevaar!** Gebruik nooit oude olie, omdat oude olie een gereduceerd vlampunt heeft en vatbaarder is voor overkoken, wat het risico op brand en gevaarlijke situaties verhoogt.
- **Waarschuwing!** Als u te nat voedsel of te grote hoeveelheden voedsel in het apparaat plaatst, heeft dit invloed op het kookpunt van de olie.
- Om veiligheidsredenen wordt aanbevolen niet teveel voedsel tegelijkertijd te frituren (max. hoeveelheid voedsel ca. 2kg).
- Reinig het apparaat en andere accessoires altijd na elk gebruik (-->Reiniging en onderhoud).
- Gebruik geen waterstralen of stoomreiniger en spoel niet rechtstreeks af met water, omdat de onderdelen van het apparaat nat kunnen worden en dit kan leiden tot elektrische schokken.
- **Let op!** Plaats het netsnoer indien nodig op een veilige manier om te voorkomen dat het in contact kon komen met het verwarmingsoppervlak en dat er per ongeluk aan het netsnoer kan worden getrokken.
- Was het apparaat niet met water. Wassen kan lekkages veroorzaken en het risico op elektrische schokken verhogen.
- Niet reinigen of opbergen tenzij het apparaat volledig is afgekoeld.
- Geen van de onderdelen zijn vaatwasmachinebestendig.
- Trek de stekker altijd uit het stopcontact als u de friteuse vult of reinigt.
- De elektrische installatie dient te voldoen aan de nationale en plaatselijk geldende voorschriften.
- De oliebak en het verwarmingselement moeten vóór gebruik correct worden geplaatst en geïnstalleerd, omdat deze zeer heet worden tijdens gebruik.

Beoogd gebruik

- Dit apparaat is bedoeld voor professioneel gebruik en kan alleen worden bediend door gekwalificeerd personeel.
- Dit apparaat is uitsluitend bestemd voor het bakken van geschikt voedsel, zoals frites, enz. Elk ander gebruik kan leiden tot schade aan het apparaat of lichamelijk letsel.
- Gebruik van het apparaat voor andere doeleinden wordt beschouwd als verkeerd gebruik van het apparaat. De gebruiker is volledig aansprakelijk voor alle risico's die voortvloeien uit verkeerd gebruik van het apparaat.

Installatie met aarding

Dit apparaat is geclassificeerd als beschermingsklasse I en moet worden aangesloten op een aansluiting met aarde. Aarding verlaagt de kans op elektrische schokken doordat elektrische stroom via een ontsnapingsdraad kan weglopen. Dit ap-

paraat is uitgerust met een snoer met een aarde-draad en een geaarde stekker. De stekker moet in een stopcontact worden gestoken dat juist is geïnstalleerd en geaard.



Ingebruikname

- Controleer of het apparaat niet beschadigd is. Neem in geval van beschadiging onmiddellijk contact op met uw leverancier en gebruik het apparaat NIET.
- Verwijder al het verpakkingsmateriaal en de eventueel aanwezige beschermfolie.
- Reinig het apparaat met handwarm water en een zachte doek.
- Plaats het apparaat waterpas op een stabiele ondergrond, tenzij anders aangegeven.
- Zorg ervoor dat er rondom het apparaat genoeg ruimte vrij blijft voor de afvoer van warmte.
- Plaats het apparaat zo dat de stekker te allen tijde bereikbaar is.

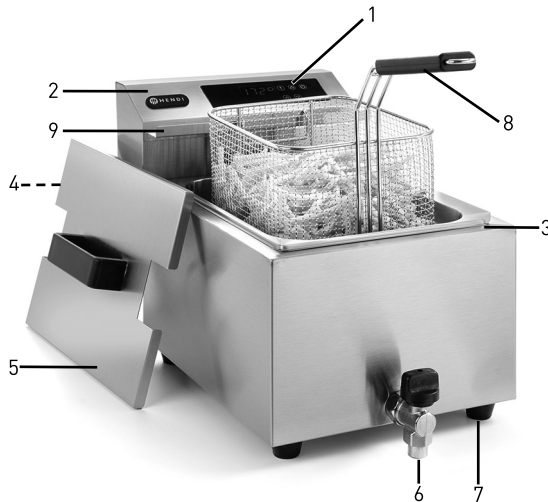
Installatie

- Plaats het apparaat met de rubberen voetjes op een vlakke, stabiele, schone, hittebestendige en droge ondergrond.
- Installeer de achtersteun met het verwarmingselement op de achterkant van de oliebak.

Opmerking:

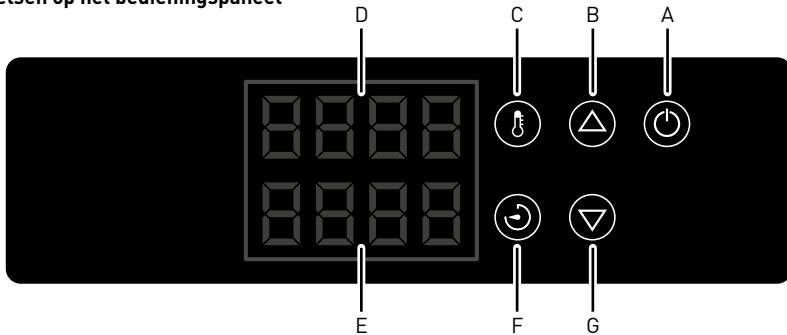
1. Zorg ervoor dat de pin op de achtersteun zich in de juiste positie bevindt & juist is gemonteerd.
2. Het apparaat moet voor gebruik op een veilige plek in uw keuken worden geplaatst om gevaar door hoge temperaturen tijdens gebruik te voorkomen.

Belangrijkste onderdelen van het apparaat



1. Bedieningspaneel
2. Afneembare verwarmings- en bedieningsunit
3. Basiseenheid met oliebak
4. Resetknop (Aan de achter- en onderkant van de verwarmingsunit)
5. Deksel
6. Olieaftapkraan
7. Voetjes
8. Frituurmand met handgreep
9. Mandhouder

Functietoetsen op het bedieningspaneel



- A) AAN/UIT-knop
- B) Verhogen-knop (om de temperatuur- & timerinstelling te verhogen)
- C) TEMPERATUUR-knop
- D) Bovenste regel display

- E) Onderste regel display
- F) TIMER-knop
- G) Verlagen-knop (om de temperatuur- & timerinstelling te verlagen)

Gebruik

- Zorg ervoor dat de olieaftapkraan is gesloten.
- Trek de stekker uit het stopcontact.
- Zorg ervoor dat de oliebak leeg en droog is en dat er geen water in de bak staat.
- Vul de bak voorzichtig met olie tot tussen de L-markering (min) en H-markering (max).
- Steek de geaarde stekker in een geaard stopcontact.
- De frituse is nu klaar voor gebruik.

Frituren

De frituse is voorzien van een unieke koude zone waardoor kruimels en bakresten naar de bodem zinken en het vet aanzienlijk langer mee zal gaan.

Controleer regelmatig of er voldoende olie of vet in de bak zit. Het niveau mag nooit onder de L-markering (min) indicatie komen.

Bediening

1. De TEMPERATUUR instellen

- 1.1 Vul de bak met olie en zorg ervoor dat het olieniveau tussen de L- en H-markering staat. Opmerking: Houd er rekening mee dat het olieniveau stijgt als u voedsel in de bak plaatst. Frituur nooit te natte voedingsmiddelen of te veel voedingsmiddelen per keer.
- 1.2 Steek de stekker in een geschikt stopcontact.
- 1.3 Druk op de AAN/UIT-knop & het lampje licht op. De knoppen VERHOGEN / VERLAGEN knippen. De bovenste regel van het display toont de INGESTELDE TEMPERATUUR. (TEMPERATUURBEREIK: 25°C ~ 195°C).
- 1.4 Druk op de knop VERHOGEN of VERLAGEN om het verwarmen te starten. De bovenste regel van het display toont de WERKELIJKE TEMPERATUUR van de olie. En de TEMPERATUUR-knop knippert constant.
- 1.5 U kunt ook op de TEMPERATUUR-knop drukken om de laatst INGESTELDE TEMPERATUUR voor 1 ~ 2 seconden te bekijken. Druk, indien gewenst, binnen deze periode op de knop VERHOGEN of VERLAGEN om de INGESTELDE TEMPERATUUR aan te passen. Druk één keer op de knop VERHOGEN / VERLAGEN om de temperatuur met +1,0°C / - 1,0°C aan te passen. Houd ingedrukt om snel in te stellen. Nadat u niet langer op de knoppen drukt, zal de nieuw INGESTELDE TEMPERATUUR na ongeveer 2 ~ 3 seconden automatisch worden opgeslagen.



1.6 Tijdens het verwarmen knippert de TEMPERATUUR-knop continu tot de INGESTELDE TEMPERATUUR is bereikt. Nadat de INGESTELDE TEMPERATUUR is bereikt, zal het lampje van de TEMPERATUUR-knop uitschakelen en wordt de temperatuur binnen een bereik van $\pm 2^{\circ}\text{C}$ gehouden.

2. De TIMER instellen

2.1 U kunt tijdens gebruik de TIMER-functie activeren.

2.2 Houd de TIMER-knop voor 2 ~ 3 seconden ingedrukt om naar de modus voor het instellen van de TIMER te schakelen. Houd de TIMER-knop voor 2 ~ 3 seconden ingedrukt om naar de modus voor het instellen van de TIMER te schakelen. Het VERHOGEN/VERLAGEN icoon zal knipperen.

2.3 Druk daarna binnen 1 ~ 2 seconden op de knop VERHOGEN of VERLAGEN om de TIMER in te stellen. Druk één keer om de instelling te verhogen of verlagen met 30 seconden. De onderste regel van het display toont de ingestelde afteltijd van de TIMER. Houd VERHOGEN of VERLAGEN ingedrukt om de afteltijd snel in te stellen (Bereik TIMER: 30 seconden ~ 20 minuten).

2.4 De nieuwe TIMER wordt opgeslagen en het aftellen start binnen 2 ~ 3 seconden.

1.7 Als het apparaat wordt uitgeschakeld, wordt de melding "oFF" getoond op de bovenste regel van het display en de melding "Hot" (heet) wordt getoond op de onderste regel van het display.

2.5 Als het aftellen is voltooid, zal de melding "End" continu knipperen op de onderste regel van het display. Er klinken twee korte pieptonen voor 10 seconden gedurende een periode van 1 minuut.

2.6 Druk eenmaal op de TIMER-knop om naar de laatst ingestelde tijd te gaan. Druk nog een keer op de TIMER-knop om naar de modus voor het instellen van de TIMER te schakelen en de tijd te veranderen. Het VERHOGEN/VERLAGEN icoon zal knipperen. De nieuwe TIMER wordt opgeslagen en het aftellen start binnen 2 ~ 3 seconden.

Let op: De mandhouder is alleen bedoeld voor het tijdelijk plaatsen van de frituurmand, zodat overtollig olie kan wegdruppelen. Plaats de frituurmand niet te lang op de houder om te voorkomen dat het mandje naar beneden valt en er hete olie uit de bak springt.

Kalibratiefunctie

Deze functie kan worden gebruikt om de weergegeven "weergavetemperatuur" en "werkelijke temperatuur" te kalibreren en aan te passen. Er is een gekalibreerde thermometer met sonde vereist (niet meegeleverd) voor de meting.

- Houd de knoppen VERHOGEN en VERLAGEN tijdens gebruik voor 5 ~ 6 seconden ingedrukt om naar de "kalibratiemodus" te schakelen.
- Daarna knippert de op het display getoonde "weergavetemperatuur" continu.

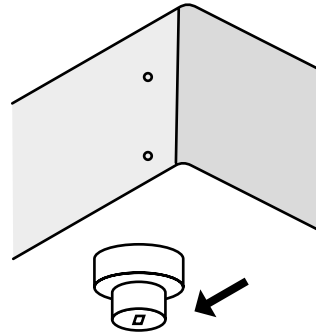
- Plaats de thermometer (niet meegeleverd) vervolgens in de oliebak om een vergelijking te maken. Wees voorzichtig, de olie in de bak is heet.
- Als de temperatuur stabiel is, druk dan op de knop VERHOGEN of VERLAGEN om de "weergavetemperatuur" in overeenstemming te brengen met de meetwaarde die is af te lezen op de thermometer (niet meegeleverd).
- Druk daarna ter bevestiging op de TEMPERATUUR-knop om het kalibreren te voltooien.

Resetten thermische zekering

De resetknop zit aan de onderkant van de afneembare verwarmingsunit en is voorzien van een beschermkap. (Zie lijntekening om oververhitting te voorkomen.)

- Trek de stekker van de friteuse eerst uit het stopcontact.
- Laat de friteuse volledig afkoelen.
- Verwijder de afneembare verwarmingsunit van de steun.
- Schroef de zwarte beschermkap van de RESET-knop los.
- Druk op de RESET-knop van de maximaal thermostaat. U moet een duidelijke klik horen.
- Schroef de achterkant van de zwarte beschermkap terug op de RESET-knop.

- Plaats de afneembare verwarmingsunit terug op de steun.



Frituur tips

- Gebruik bij voorkeur alleen vloeibaar frituurvet of -olie.
- De aanbevolen temperatuur voor frites en snacks is 175°C maximaal.
- Warm het vet/de olie langzaam op. Het liefst in drie stappen bijvoorbeeld: eerst naar 100°C, dan van 100-140°C en vervolgens van 140°C naar 175°C met tussendoor een kwartier rust.
- Verwijder ijs en kruimels van de diepvriesproducten
- Frituur niet te veel te gelijk hierdoor koelt de olie of het vet te snel af. Hierdoor kunnen de fri-

tuurproducten onvoldoende snel dichtschroeien waardoor ze meer vet op zullen nemen. De ideale verhouding tussen de te frituren producten en het frituurvet mag maximaal 1:10 zijn.

- Bij intensief gebruik dient u steeds de bakresten uit het vet te zeven
- Vervang de olie of het vet tijdig. Gebruik regelmatig teststrips of meetapparatuur om bij te houden wanneer het vet vervangen moet worden.
- Indien het vet of de olie gaat schuimen, walmen of stroperig wordt, dient u dit te vervangen. Ook wanneer het een sterke geur of smaak krijgt.

Vast Vet

- Indien u tegen ons advies in toch vast frituurvet gebruikt: warm het vet dan op de laagste stand langzaam op totdat het gesmolten is. Wanneer het vet gesmolten is, dient u pas de juiste frituurtemperatuur in te stellen.
- Bij gebruik van nieuw vet smelt u de vetblokken eerst langzaam op lage temperatuur in een nor-

male pan. Giet het gesmolten vet voorzichtig in de frituurpan. Steek dan pas de stekker in het stopcontact en schakel de frituurpan in.

- Verwijder het mandje na gebruik uit het vet. Dit voorkomt dat het mandje in het gestolde vet vast gaat zitten.

Na gebruik

- Schakel de apparatuur uit door de schakelaar uit te zetten en de stekker uit het stopcontact te verwijderen.

- Verwijder de mand uit het vet. Dit voorkomt dat de mand vast komt te zitten in het gestolde vet.
- Plaats de deksel op de friteuse, zodat het vet nietverouderd.



Reiniging en onderhoud

- Trek de stekker altijd uit het stopcontact en laat het apparaat volledig afkoelen alvorens het te reinigen.
- Let op: Nooit het apparaat in water of een andere vloeistof onderdompelen!
- De buitenkant maakt u schoon met een vochtig doekje (water met mild reinigingsmiddel).
- Gebruik nooit agressieve schoonmaakmiddelen of schuurmiddelen. Geen scherpe en puntige voorwerpen gebruiken. Geen benzine of oplosmiddelen gebruiken! Schoonmaken met een vochtige doek en eventueel afwasmiddel, geen schurende middelen gebruiken.
- Het apparaat niet reinigen met een hogedrukspuit of stoomreiniger.
- Na reiniging het apparaat weer in elkaar zetten, zorg ervoor dat het verwarmingselement goed is bevestigd anders zal het apparaat niet werken.

Technische specificaties

Itemnr.	207369	207376
Bedrijfsspanning en frequentie	230V~ 50Hz	
Nominaal ingangsvermogen	3500W	2 x 3500W
Capaciteit	8L (met kraan)	2 x 8L (met kraan)
Beschermingsklasse	Klasse I	
Beschermingsklasse waterdichtheid	IPX3	
Bereik timer	30 seconden ~ 20 minuten	
Temperatuurbereik	25°C ~ 195°C	
Buitenafmetingen	300x515x(H)345mm	605x515x(H)345mm

NL

Opmerking: Technische specificaties onderhevig aan verandering zonder voorafgaande kennisgeving.

Problemen oplossen en foutcodes

Als het apparaat niet naar behoren werkt, kijk dan in de onderstaande tabel voor een oplossing. Als u het probleem niet zelf kunt oplossen, neem dan contact op met de leverancier/dienstverlener.

Storing	Verschijsel	Oorzaak	Mogelijke oplossing
Apparaat doet helemaal niets	De oranje indicatielamp brandt niet.	Geen netspanning	Controleer de elektrische installatie. Schakelaar defect
		Maximaal thermostaat aangesproken	Reset de maximaal thermostaat. (Zie pagina 25)
		Maximaal thermostaat defect	Contact opnemen met leverancier.
		Thermostaat defect	Contact opnemen met leverancier.
Apparaat bereikt de ingestelde temperatuur niet.	Lange baktijd	Thermostaat defect	Contact opnemen met leverancier.
		Element defect	Contact opnemen met leverancier.

Als na deze handelingen het apparaat nog steeds niet functioneert, adviseren wij u contact op te nemen met de technische dienst. Neem in geval van twijfel altijd contact op met uw leverancier!



Garantie

Elk defect waardoor de werking van het apparaat nadelig wordt beïnvloed dat zich binnen één jaar na aankoop van het apparaat voordoet, wordt gratis hersteld door reparatie of vervanging, mits het apparaat conform de instructies is gebruikt en onderhouden en niet op enigerlei wijze verkeerd is behandeld of misbruikt. Dit laat onverlet uw bij wet bepaalde rechten. Als de garantie van kracht is, vermeld dan waar en wanneer u het apparaat

hebt gekocht en sluit een aankoopbewijs bij (bijv. kassabon of factuur).

Gezien ons streven naar voortdurende verdere productontwikkeling behouden wij ons het recht voor, zonder voorafgaande kennisgeving wijzigingen aan te brengen aan product, verpakking en documentatie.

Verwijdering & milieu


Bij de buitengebruikstelling van het apparaat, mag het niet met het overige huisafval worden verwijderd. In plaats daarvan is het uw verantwoordelijkheid om uw afgedankte apparatuur in te leveren bij een daartoe aangewezen inzamelpunt. Het niet opvolgen van deze regel kan worden bestraft in overeenstemming met de geldende voorschriften voor afvalverwerking. De gescheiden inzameling en recycling van uw afgedankte apparatuur ten tijde van buitengebruikstelling helpt bij de instand-

houding van natuurlijke hulpbronnen en waarborgt dat de apparatuur wordt gerecycled op een manier die de volksgezondheid en het milieu beschermt. Voor meer informatie over waar u uw afval kunt inleveren voor recycling kunt u contact opnemen met uw lokale afvalverwerkingsbedrijf. De fabrikant en importeurs nemen geen verantwoordelijkheid voor de recycling, behandeling en ecologische verwijdering, hetzij rechtstreeks of via een openbaar systeem.




Dziękujemy za zakup urządzenia firmy Hendi. Prosimy o uważne zapoznanie się z niniejszą instrukcją przed podłączeniem urządzenia, aby uniknąć uszkodzeń spowodowanych niewłaściwą obsługą. Należy zwrócić szczególną uwagę na zasady bezpieczeństwa.

WAŻNE ZASADY BEZPIECZEŃSTWA

- Nieprawidłowa obsługa i niewłaściwe użycie mogą spowodować poważne uszkodzenie urządzenia lub zranienie osób.
- Niniejsze urządzenie przeznaczone jest wyłącznie do użytku komercyjnego.
- Urządzenie stosuj wyłącznie zgodnie z przeznaczeniem. Producent i/lub Sprzedawca nie ponosi żadnej odpowiedzialności za szkody spowodowane nieprawidłową obsługą i niewłaściwym użytkowaniem urządzenia.
- W czasie użycia zabezpiecz urządzenie i wtyczkę kabla zasilającego przed kontaktem z wodą lub innymi płynami. W mało prawdopodobnym przypadku zanurzenia urządzenia w wodzie, natychmiast wyciągnij wtyczkę z kontaktu, a następnie zleć kontrolę urządzenia specjalście. Nieprzestrzeganie tej instrukcji może spowodować zagrożenie życia.
- Nigdy nie otwieraj samodzielnie obudowy urządzenia.
- Nie wtykaj żadnych przedmiotów w obudowę urządzenia.
- Nie dotykaj wtyczki kabla zasilającego wilgotnymi rękami.
-  **Ryzyko porażenia prądem!** Regularnie kontroluj stan wtyczki i kabla. W przypadku wykrycia uszkodzenia wtyczki lub kabla, zleć naprawę w wyspecjalizowanym punkcie naprawczym.
- **Nigdy nie używaj uszkodzonego urządzenia!** W przypadku, gdy urządzenie spadnie lub ulegnie uszkodzeniu w inny sposób, przed dalszym użyciem zawsze zleć przeprowadzenie kontroli i ewentualną naprawę w wyspecjalizowanym punkcie naprawczym.
- **Ostrzeżenie!** Nie zanurzaj elektrycznych części urządzenia w wodzie lub w innych płynach. Nigdy nie trzymaj urządzenia pod bieżącą wodą.
- Nigdy nie naprawiaj urządzenia samodzielnie może to spowodować zagrożenie życia.
- Chroń kabel zasilający przed kontaktem z ostrymi lub gorącymi przedmiotami i chroń go przed otwartym ogniem. Jeżeli chcesz odłączyć urządzenie z kontaktu, zawsze chwytaj za wtyczkę, nigdy nie ciągnij za kabel.
- Zabezpiecz kabel (lub przedłużacz), aby nikt przez omyłkę nie wyciągnął go z kontaktu ani się o niego nie potknął.
- Urządzenie powinno być używane tylko do celów, dla których zostały pierwotnie zaprojektowane.
- Kontroluj funkcjonowanie urządzenia w czasie użytkowania.
- Dzieci nie uświadamiają sobie zagrożeń, jakie może spowodować użycie urządzeń elektrycznych. Nigdy nie pozwalaj dzieciom posługiwać się elektrycznymi urządzeniami gospodarstwa domowego bez nadzoru.
- Gdy urządzenie nie jest używane oraz zawsze przed czyszczeniem, odłącz je od źródła zasilania, wyciągając wtyczkę z kontaktu.

- **Uwaga!** Jeżeli wtyczka kabla zasilającego jest podłączona do kontaktu, urządzenie cały czas pozostaje pod napięciem.
- Wyłącz urządzenie, zanim wyciągniesz wtyczkę z kontaktu.
- Nigdy nie przenoś urządzenia za kabel zasilający.
- Nie używaj akcesoriów innych niż dostarczone z urządzeniem.
- Urządzenie można podłączać wyłącznie do gniazda o napięciu i częstotliwości zgodnej z danymi znajdującymi się na tabliczce znamionowej.
- Unikaj przeciążenia.
- Po użyciu wyłącz urządzenie wyjmując wtyczkę z gniazda.
- Instalacja elektryczna musi odpowiadać krajowym i lokalnym przepisom.
- Z urządzenia nie mogą korzystać osoby (także dzieci), u których stwierdzono osłabione zdolności fizyczne, sensoryczne lub umysłowe, albo którym brakuje odpowiedniej wiedzy i doświadczenia, chyba że odbywa się to pod nadzorem lub zgodnie z instrukcjami osoby odpowiedzialnej za ich bezpieczeństwo.

Szczególne przepisy bezpieczeństwa

-  **Uwaga! Gorąca powierzchnia!** Temperatura dostępnych powierzchni urządzenia w czasie użytkowania jest bardzo wysoka. Dotykaj wyłącznie przycisków panelu sterowania.
- Jeśli urządzenie ma zostać umieszczone blisko ściany, ścianek działowych, mebli kuchennych, wykończeń dekoracyjnych itp., zaleca się, by pokryte były one materiałami niepalnymi; jeśli nie jest to możliwe, należy pokryć takie powierzchnie odpowiednim niepalnym materiałem termoizolacyjnym i postępować zgodnie z przepisami przeciwpożarowymi.
- Nie umieszczaj urządzenia na obiekcie emitującym ciepło (kuchenka gazowa, elektryczna, grill, itp.). Trzymaj urządzenie z dala od jakichkolwiek gorących powierzchni lub otwartego płomienia. Ustaw urządzenie na równej, stabilnej, czystej i suchej powierzchni, odpornej na działanie wysokich temperatur.
- Nie używaj urządzenia w pobliżu materiałów wybuchowych lub łatwopalnych, kart płatniczych, dysków magnetycznych lub radioodbiorników.
- Urządzenie nie jest przystosowane do obsługi za pomocą zewnętrznego timera lub oddzielnego systemu zdalnego sterowania.
- **OSTRZEŻENIE:** Jeśli poziom oleju w zbiorniku sięga poniżej oznaczenia L (poziom min.) lub jeśli zbiornik jest pusty, istnieje ryzyko pożaru.
- **OSTRZEŻENIE:** Nie smaż w urządzeniu produktów żywnościowych, które zawierają dużo wody, aby zapobiec pienieniu się i pryskaniu oleju. W komorze smażenia można umieścić maksymalnie 1 kg produktów żywnościowych.
- Zapewnij co najmniej 20-centymetrową przestrzeń wokół urządzenia, celem umożliwienia odpowiedniej wentylacji podczas użytkowania.
- Używaj wyłącznie oleju przeznaczonego do smażenia. Regularnie wymieniaj olej lub tłuszcz w zbiorniku. Stary lub zanieczyszczony olej może się zapalić po podgrzaniu do zbyt wysokiej temperatury.



- Nie korzystaj z plastikowych sztućców w czasie obsługi urządzenia.
- **Niebezpieczeństwo!** Nigdy nie używaj starego oleju, ponieważ ma on obniżoną temperaturę zapłonu i jest bardziej podatny na nagłe wrzenie, co zwiększa ryzyko powstania pożaru lub sytuacji niebezpiecznych.
- **Ostrzeżenie!** Umieszczanie żywności o zbyt dużej zawartości wody lub w zbyt dużej ilości ma wpływ na szybkość osiągania temperatury wrzenia przez olej.
- Ze względów bezpieczeństwa, za każdym razem podczas smażenia nie wkładaj zbyt dużej porcji żywności (maksymalny wsad to ok. 2 kg).
- Urządzenie i akcesoria do niego należy umyć po każdym użyciu (--> Czyszczenie i konserwacja)
- Nie czyść urządzenia strumieniem wody pod ciśnieniem ani przy pomocy myjki parowej, nie spłukuj urządzenia wodą, ponieważ doprowadzi to do zawilgocenia lub zamoczenia części wewnątrz urządzenia, co może skutkować porażeniem prądem.
- Uwaga! Odpowiednio poprowadź i zabezpiecz przewód zasilający, aby zapobiec przypadkowemu pociągnięciu lub kontaktowi z nagrzaną powierzchnią.
- Nie czyść urządzenia wodą. Mycie urządzenia może spowodować przedostanie się wody do części elektrycznych i doprowadzić do porażenia prądem.
- Nie czyść ani nie umieszczaj urządzenia w miejscu przechowywania, zanim całkowicie nie ostygnie.
- Części urządzenia nie mogą być myte w zmywarce.
- Przed czyszczeniem lub napełnianiem urządzenia wyjmij wtyczkę z gniazdka.
- Instalacja elektryczna musi spełniać odpowiednie wymogi krajowe i miejscowe.
- Upewnij się, czy zbiornik na olej oraz element grzewczy ustawione zostały w bezpiecznym miejscu w kuchni ze względu na wysoką temperaturę urządzenia podczas pracy.

PRZEZNACZENIE

- Urządzenie przeznaczone do użytku profesjonalnego, obsługa tylko przez wykwalifikowany personel.
- Urządzenie przeznaczone jest do użytku komercyjnego i służy do smażenia odpowiednich produktów spożywczych, takich jak frytki itp. Użycie urządzenia w jakimkolwiek innym celu może prowadzić do jego uszkodzenia lub do obrażeń ciała.
- Wykorzystanie urządzenia w jakimkolwiek innym celu uznane będzie za wykorzystanie niezgodne z przeznaczeniem. Użytkownik będzie wyłącznie odpowiedzialny za nieprawidłowe wykorzystanie urządzenia.

Montaż uziemienia

Mikser jest urządzeniem I klasy ochronności i wymaga uziemienia. Uziemienie zmniejsza ryzyko porażenia prądem, dzięki zastosowaniu przewodu odprowadzającego prąd elektryczny. Urządzenie

wyposażone jest w przewód z uziemieniem z wtykiem uziemiającym. Wtyczka musi zostać podłączona do gniazdka sieciowego, które zostało odpowiednio zamontowane i uziemione.

Przygotowanie przed pierwszym użyciem

- Sprawdź, czy urządzenie nie jest uszkodzone. W przypadku jakichkolwiek uszkodzeń niezwłocznie skontaktuj się ze swoim dostawcą i NIE korzystaj z urządzenia.
- Zdjąć całe opakowanie i folię ochronną (o ile dotyczy).
- Wyczyścić urządzenie przy pomocy letniej wody i miękkiej szmatki.

- O ile nie zalecono inaczej, ustawić urządzenie na płaskim i stabilnym podłożu.
- Zapewnić wystarczającą przestrzeń wokół urządzenia, aby umożliwić wentylację urządzenia.
- Ustaw urządzenie tak, aby mieć zawsze dobry dostęp do wtyczki.

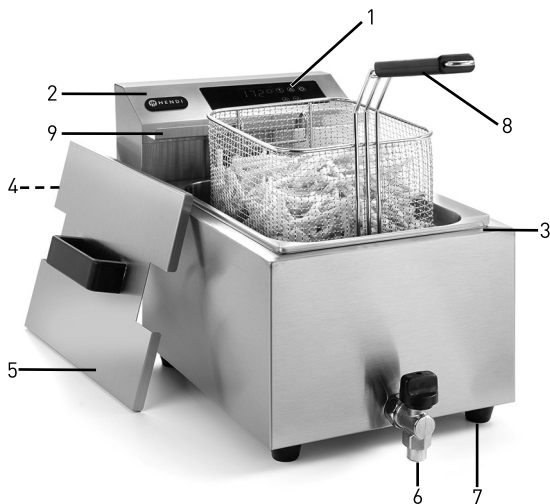
Instalacja

- Urządzenie wyposażone jest w gumowe nóżki. Urządzenie należy ustawić na równej, stabilnej, czystej i suchej powierzchni, odpornej na działania wysokich temperatur.
- Ostrożnie zamocuj tylny wspornik urządzenia z elementem grzewczym z tyłu zbiornika na olej.

Uwaga:

1. Upewnij się, czy sworzeń znajdujący się na tylnym wsporniku urządzenia został prawidłowo zamocowany.
2. Przed rozpoczęciem pracy upewnij się, czy zbiornik na olej oraz element grzewczy ustawione zostały w bezpiecznym miejscu w kuchni ze względu na wysoką temperaturę urządzenia podczas pracy.

Główne części urządzenia

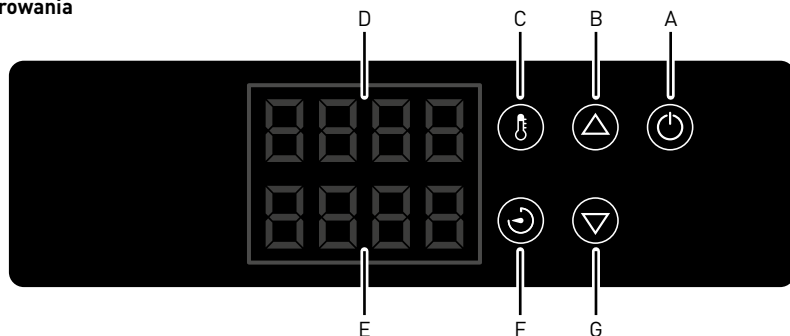


1. Panel sterowania
2. Demontowalny element sterujący urządzenia z elementem grzewczym
3. Obudowa z wewnętrznym zbiornikiem na olej
4. Przycisk RESET (w tylnej dolnej części urządzenia)

5. Pokrywa
6. Kurek spustowy oleju
7. Nóżki
8. Koszyk na frytki z uchwytem
9. Uchwyt/listwa do zawieszania kosza po wyjęciu go z tłuszczu



Panel sterowania



A) Przetącnik ON/OFF

B) Przycisk zwiększania wartości (temperatury oraz czasu)

C) Przycisk TEMPERATURY

D) Wyświetlacz górny

E) Wyświetlacz dolny

F) Przycisk TIMERA (ustawienie czasu smażenia)

G) Przycisk zmniejszania wartości (temperatury i czasu)

Eksploatacja

- Upewnij się, czy kurek spustowy oleju jest zamknięty.
- Wymij wtyczkę z gniazdka.
- Upewnij się, czy zbiornik na olej jest czysty i czy w środku nie znajduje się woda.
- Ostrożnie napełnij zbiornik olejem - poziom oleju powinien znajdować się między oznaczeniami L (minimalnym) a H (maksymalnym).
- Włóż uziemioną wtyczkę do uziemionego gniazdka elektrycznego.
- Można przystąpić do smażenia.

Smażenie w głębokim tłuszczu

Frytownica jest wyposażona w unikalny system „zimnej strefy” umożliwiający opadanie okruszków i pozostałości po frytowaniu na dno pojemnika, co pozwala znacznie zwiększyć wydajność tłuszczu/oleju .

Regularnie sprawdzaj, czy w pojemniku jest wystarczająca ilość oleju lub tłuszczu. Poziom tłuszczu nigdy nie może być niższy niż poziom oznaczony jako „L”.

Obsługa

1. Ustawienie TEMPERATURY

- 1.1 Napełnij zbiornik olejem i upewnij się, czy poziom oleju znajduje się między oznaczeniami L a H. Należy pamiętać, że umieszczenie żywności w oleju spowoduje podniesienie jego poziomu. Nie wkładaj do zbiornika mokrych produktów żywnościowych lub ich dużej ilości na raz.
- 1.2 Podłącz wtyczkę do odpowiedniego gniazdka elektrycznego.

- 1.3 Naciśnij przycisk „ON/OFF” - przycisk podświetli się. Przyciski ZWIĘKSZANIA i ZMNIEJSZANIA wartości zaczną migać. Na górnym wyświetlaczu pojawi się aktualnie ustawiona temperatura. [Zakres temperatury: 25 °C ~ 195 °C].



- 1.4 Wciśnij przyciski ZWIĘKSZANIA lub ZMNIEJSZANIA wartości, by rozpocząć proces grzania. Na górnym wyświetlaczu pojawi się AKTUALNA TEMPERATURA oleju. Przycisk TEMPERATURY będzie stale migał.
- 1.5 Możesz również wybrać przycisk TEMPERATURY, by na 1-2 sekundy wyświetlić ostatnią USTAWIONĄ TEMPERATURĘ. W tym czasie wciśnij przycisk ZWIĘKSZANIA lub ZMNIEJSZANIA temperatury, by zmienić USTAWIONĄ TEMPERATURĘ, jeśli zachodzi taka potrzeba. Wciśnij przycisk ZWIĘKSZANIA lub ZMNIEJSZANIA temperatury raz, by zwiększyć/zmniejszyć temperaturę o 1 °C. Wciśnij i przytrzymaj

2. Ustawienie czasu smażenia

- 2.1 W czasie pracy urządzenia możliwe jest ustawienie funkcji czyli ustawienie czasu smażenia.
- 2.2 Wciśnij i przyciśnij przycisk TIMERA na 2-3 sekundy, by wejść w tryb ustawienia TIMERA. Przyciski ZWIĘKSZANIA i ZMNIEJSZANIA wartości zaczną migać.
- 2.3 W ciągu 1-2 sekund wciśnij przycisk ZWIĘKSZANIA lub ZMNIEJSZANIA wartości, by ustawić czas TIMERA. Jedno wciśnięcie przycisku zmieni podaną wartość o 30 sekund - w dolnej linii wyświetlacza pokazywany będzie aktualny czas ustawienia TIMERA. Naciśnij i przytrzymaj przycisk ZWIĘKSZANIA lub ZMNIEJSZANIA wartości w celu szybszego ustawienia żądanych wartości [zakres TIMERA: 30 sekund - 20 minut].
- 2.4 Nowo ustawiony czas TIMERA zostanie zapisany i po upływie 2-3 sekund rozpocznie się odliczanie.

przycisk, by szybciej zmieniać ustawioną wartość. Po puszczeniu przycisku, NOWA TEMPERATURA zostanie automatycznie ustawiona po upływie ok. 2-3 sekund.

- 1.6 W czasie podgrzewania, przycisk TEMPERATURY będzie migać, aż olej osiągnie USTAWIONĄ TEMPERATURĘ. Po osiągnięciu USTAWIONEJ TEMPERATURY, przycisk TEMPERATURY zgaśnie i urządzenie będzie utrzymywać USTAWIONĄ TEMPERATURĘ (± 2 °C).
- 1.7 Po wyłączeniu urządzenia, w górnej linii wyświetlacza pojawi się informacja „OFF”, a w dolnej linii wyświetlacza - „Hot”.

- 2.5 Po zakończeniu odliczania, w dolnej linii wyświetlacza pojawi się informacja „End”. Komunikat ma 2 sygnały dźwiękowe w odstępach co 10 sekund, w przeciągu jednej minuty.
- 2.6 Wciśnij jednokrotnie przycisk TIMERA, by powrócić do ostatnio ustawionego czasu. Wciśnij ponownie przycisk TIMERA, by wejść w tryb ustawień TIMERA i zmienić ustawiony czas. Przyciski ZWIĘKSZANIA i ZMNIEJSZANIA wartości zaczną migać. Nowo ustawiony czas TIMERA zostanie zapisany i odliczanie rozpocznie się ponownie po upływie 2-3 sekund.

Uwaga: Uchwyt/listwa do zawieszania koszyka służy do tymczasowego oparcia koszyka podczas odsączania nadmiaru oleju. Nie opieraj koszyka o uchwyt/listwę przez dłuższy czas, by zapobiec jego ewentualnemu wygięciu ku dołowi i rozlaniu gorącego oleju.

Kalibracja

Ta funkcja umożliwi użytkownikowi kalibrację i ustawienie „temperatury wyświetlanej”, by wynosiła tyle samo, co „temperatura rzeczywista”. By wykonać pomiar, niezbędny jest termometr z sondą (niedotłączony do urządzenia).

- W czasie pracy urządzenia wciśnij i przytrzymaj oba przyciski ZWIĘKSZANIA i ZMNIEJSZANIA wartości na 5-6 sekund, by uruchomić „tryb kalibracji”.
- „Temperatura wyświetlana” na wyświetlaczu zacznie migać.

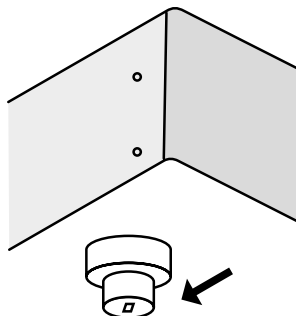
- Umieść termometr (niedotłączony do urządzenia) w zbiorniku na olej, by porównać wyniki. Zachowaj ostrożność: olej w zbiorniku jest gorący.
- Za pomocą przycisków ZWIĘKSZANIA i ZMNIEJSZANIA wartości zmień „temperaturę wyświetlaną” zgodnie z odczytem uzyskanym za pomocą termometru (niedotłączonego do urządzenia).
- Po zakończeniu kalibracji wciśnij przycisk TEMPERATURY, by zatwierdzić



RESETOWANIE ogranicznika temperatury (wyłącznik termiczny)

Należy pamiętać, że przycisk RESET stanowiący zabezpieczenie przed przegrzaniem znajduje się w dolnej części demontowalnego elementu sterującego i zabezpieczony jest nasadką (patrz rysunek).

- Najpierw odłącz urządzenie od źródła zasilania, wyjmując wtyczkę z gniazdka.
- Pozostaw urządzenie do całkowitego ostygnięcia.
- Odtłącz demontowalny element sterujący od obudowy frytownicy głównej.
- Odkręć czarną nakrętkę ochronną przycisku RESET.
- Wciśnij przycisk RESET ogranicznika temperatury (wyłącznik termiczny). Usłyszysz kliknięcie.



- Przykręć ponownie czarną nakrętkę ochronną przycisku RESET. Ponownie zamocuj zdemontowany element sterujący do obudowy frytownicy.

Wskazówki smażenia w głębokim tłuszczu

- Używaj płynnego oleju (zalecany) lub tłuszczu do smażenia.
- Zalecana temperatura smażenia frytek i przekąsek to maksymalnie 175°C.
- Podgrzewaj tłuszcz wolno. Najlepiej podgrzewać tłuszcz w trzech etapach, najpierw do 100°C, potem od 100-140°C i następnie od 140°C do 175°C z 15-minutowymi przerwami między każdym krokiem.
- Usuwać lód i okruchy z zamrożonej żywności.
- Nie smaż w głębokim tłuszczu zbyt dużych porcji. Może doprowadzić to do spadku temperatury oleju lub tłuszczu. Wychłodzony olej/tłuszcz nie obsmaży odpowiednio powierzchni, powodując

zwiększenie wchłaniania tłuszczu. Idealna proporcja zamrożonej żywności do oleju/tłuszczu do smażenia to maksymalnie 1:10.

- W przypadku intensywnego użytkowania należy filtrować okruchy i odpady z oleju/tłuszczu.
- Należy wymieniać olej lub tłuszcz w odpowiednim momencie. Aby sprawdzać, kiedy należy wymienić olej/tłuszcz, regularnie stosuj testy paskowe lub urządzenia do testów.
- Jeśli olej lub tłuszcz zaczną się pienić, dymić lub stanie się zbyt lepki, należy wymienić olej lub tłuszcz. Wymień olej/tłuszcz, gdy ma silny zapach lub smak.

Stały tłuszcz

- W przypadku stosowania stałego tłuszczu pomimo zaleceń: powoli podgrzewaj tłuszcz na najniższej temperaturze do roztopienia. Po roztopieniu tłuszczu można ustawić odpowiednią temperaturę smażenia.
- W przypadku zastosowania stałego tłuszczu poczekać, aż kawałki tłuszczu powoli się roztopią na

zwykłej patelni, przy średnim ogniu. Ostrożnie przelej roztopiony tłuszcz do frytownicy. Podłącz wtyczkę i włącz frytownicę.

- Po użyciu wyjmij kosz do smażenia w głębokim tłuszczu. Dzięki temu kosz nie zastygnie w stężałym tłuszczu.

Po użyciu

- Wyłącz urządzenie i odłącz kabel z gniazdka.
- Wyjmij koszyk ze zbiornika na olej. Dzięki temu koszyk nie zastygnie w stężałym tłuszczu

- Przykryj frytownicę pokrywą, aby zapobiec starzeniu się oleju.

Czyszczenie i konserwacja

- Przed umyciem zawsze odłącz urządzenie od zasilania i pozostaw do całkowitego ostygnięcia.
- Uwaga: Nigdy nie zanurzaj urządzenia w wodzie lub w innym płynie!
- Umyj zewnętrzną stronę przy pomocy wilgotnej szmatki (użyj roztworu wody i łagodnego środka czyszczącego).
- Nigdy nie używaj żrących środków czyszczących ani materiałów ściernych. Nie używaj ostrych przedmiotów. Nie używaj benzyny ani rozpuszczalników. Czyść urządzenie wilgotną szmatką oraz ewentualnie płynem do mycia naczyń. Nie stosuj żadnych materiałów ściernych.
- Wyczyść otwory wentylacyjne przy pomocy odkurzacza.
- Urządzenia nie czyścić przy pomocy myjki parowej ani pod strumieniem wody.
- Po wyczyszczeniu, urządzenie ponownie złożyć upewniając się, że panel kontrolny (panel grzewczy) jest odpowiednio zamontowany - w przeciwnym razie urządzenie nie będzie działać poprawnie.

Specyfikacja techniczna

Nr produktu	207369	207376
Napięcie robocze i częstotliwość	230V~ 50Hz	
Znamionowy pobór mocy	3500W	2 x 3500W
Pojemność	8L (z zaworem)	2 x 8L (z zaworem)
Stopień ochrony	Klasa I	
Klasa wodoodporności	IPX3	
Zakres czasu timera	30 sekund ~ 20 minut	
Zakres temperatury	25°C ~ 195°C	
Wymiary zewnętrzne	300x515x(H)345mm	605x515x(H)345mm

PL

Uwaga: Specyfikacja techniczna może ulec zmianie bez uprzedzenia.

Wyszukiwanie i usuwanie usterek

Jeśli urządzenie nie działa prawidłowo, zapoznaj się z poniższą tabelą w celu znalezienia prawidłowego rozwiązania. Jeśli nie możesz rozwiązać problemu, skontaktuj się z dostawcą.

Usterka	Objaw	Przyczyna	Możliwe rozwiązanie
Urządzenie w ogóle nie reaguje.	światelka wyłącznika nie świecą się i nie pali się pomarańczowa lampka	Brak napięcia sieciowego	Sprawdź instalację elektryczną. Awaria wyłącznik
		Włączył się system ogranicznika temperatury (wyłącznik termiczny).	Zresetuj system ogranicznika temperatury (wyłącznik termiczny). (Patrz strona 34)
		Awaria systemu ogranicznika temperatury (wyłącznik termiczny).	Skontaktować się z dostawcą.
		Awaria termostatu.	Skontaktować się z dostawcą.
Urządzenie nie rozgrzewa się do ustawionej temperatury.	Długi czas smażenia. Nie pali się zielona lampka.	Awaria termostatu.	Skontaktować się z dostawcą.
		Awaria grzałki.	Skontaktować się z dostawcą.

Jeśli po przeprowadzeniu powyższych kontroli usterka nadal występuje, zalecamy skontaktowanie się z serwisem technicznym. W razie wątpliwości zawsze skontaktuj się z dostawcą!



Gwarancja

Każda wada bądź usterka powodująca niewłaściwe funkcjonowanie urządzenia, która ujawni się w ciągu jednego roku od daty zakupu, zostanie bezpłatnie usunięta lub urządzenie zostanie wymienione na nowe, o ile było użytkowane i konserwowane zgodnie z instrukcją obsługi i nie było wykorzystywane w niewłaściwy sposób lub niezgodnie z przeznaczeniem. Postanowienie to w żadnej mierze nie narusza innych praw użytkownika wynikających z przepisów prawa. W przypadku zgłoszenia urzą-

żenia do naprawy lub wymiany w ramach gwarancji należy podać miejsce i datę zakupu urządzenia i dołączyć dowód zakupu (np. paragon).

Zgodnie z naszą polityką ciągłego doskonalenia wyrobów zastrzegamy sobie prawo do wprowadzania bez uprzedzenia zmian w wyrobie, opakowaniu oraz danych technicznych podawanych w dokumentacji.

Wycofanie z użytkowania i ochrona środowiska

Pamiętaj!

Nie wyrzucaj zużytego sprzętu łącznie z innymi odpadami

Nie demontuj zużytych urządzeń zawierających niebezpieczne składniki na własną rękę!

Groźą Ci za to kary grzywny!

Po zakończeniu eksploatacji produktu nie wolno gromadzić razem z odpadami komunalnymi, tylko należy odstawić do punktu odbioru odpadów elektrycznych i elektronicznych. Użytkownik ponosi odpowiedzialność za przekazanie wycofanego z użytkowania urządzenia do punktu gospodarowania odpadami. Nieprzestrzeganie tej zasady może być karane zgodnie z lokalnie obowiązującymi przepisami dotyczącymi gospodarowania odpadami. Jeśli urządzenie wycofane z użytkowania jest poprawnie odebrane jako osobny odpad, może zostać przetworzone i zutylizowane w sposób przyjazny dla środowiska, co zmniejsza negatywny wpływ na środowisko i zdrowie ludzi. Aby uzyskać więcej informacji dotyczących dostępnych usług w zakresie odbioru odpadów, należy skontaktować się z lokalną firmą odbierającą odpady.



Symbol przekreślonego kosza na śmieci oznacza, że tego produktu nie wolno wyrzucać do zwykłych pojemników na odpady.

Zużyte urządzenia elektryczne i elektroniczne mogą zawierać niebezpieczne składniki np. rtęć, ołów, kadm lub freon. Jeśli tego typu substancje przedostaną się w sposób niekontrolowany do środowiska, spowodują skażenie wody i gleby, a także wpłyną niekorzystnie na zdrowie ludzi i zwierząt.

Właściwe postępowanie ze zużytym sprzętem zapobiega potencjalnym negatywnym konsekwencjom dla środowiska naturalnego i ludzkiego zdrowia.

Jednocześnie oszczędzamy naturalne zasoby naszej Ziemi wykorzystując powtórnie surowce uzyskane z przetwarzania sprzętu.

Cher client,

Merci d'avoir acheté cet appareil de Hendi. Veuillez lire attentivement ce mode d'emploi avant de brancher l'appareil afin d'éviter tout endommagement pour cause d'usage abusif. Veuillez notamment lire les consignes de sécurité avec la plus grande attention.

Règles de sécurité


- L'utilisation abusive et le maniement incorrect de l'appareil peuvent entraîner une grave détérioration de l'appareil ou provoquer des blessures.
- Cet appareil est destiné à un usage professionnel uniquement.
- L'appareil doit être utilisé uniquement pour le but il a été conçu. Le fabricant décline toute responsabilité en cas de dommage consécutif à un usage abusif ou un maniement incorrect.
- Veillez à tenir l'appareil et la prise électrique hors de portée de l'eau ou de tout autre liquide. Si malencontreusement l'appareil tombe dans l'eau, débranchez immédiatement la prise électrique et faites contrôler l'appareil par un réparateur agréé. La non-observation de cette consigne entraîne un risque d'accident mortel.
- Ne tentez jamais de démonter vous-même le bâti de l'appareil.
- N'enfoncez aucun objet dans la carcasse de l'appareil.
- Ne touchez pas la prise avec les mains mouillées ou humides.
- ⚡ **Risque d'électrocution!** Ne tentez jamais de réparer l'appareil. Tous défauts et dysfonctionnement doivent être supprimés par le personnel qualifié.
- **N'utilisez jamais l'appareil endommagé!** Débranchez l'appareil endommagé de l'alimentation électrique et contactez votre revendeur.
- **Avertissement:** N'immergez pas les pièces électriques de l'appareil dans l'eau ou dans d'autres liquides. Ne mettez pas l'appareil sous l'eau courante.
- Vérifiez régulièrement la fiche et le câble d'alimentation pour les dommages. La fiche ou le câble d'alimentation endommagé(e) transmettre pour la réparation au service ou à une personne qualifiée, pour prévenir tous les menaces ou les blessures possibles.
- Assurez-vous que le câble d'alimentation n'est pas en contact avec les objets pointus ou chauds ; gardez le câble loin des flammes nues. Pour retirer la fiche de la prise murale, tirez toujours en tenant la fiche et non le câble d'alimentation.
- Protégez le câble d'alimentation (ou la rallonge) contre le débranchement accidentel de la prise murale. Le câble doit être posé de manière ne provoquant pas les chutes accidentelles.
- Surveillez en permanence l'appareil pendant l'utilisation.
- **Avertissement !** Si la fiche est insérée dans la prise murale, l'appareil doit être considéré comme branché à l'alimentation.
- Avant de retirer la fiche de la prise, éteignez l'appareil !
- Ne transportez jamais l'appareil en tenant le câble.
- N'utilisez aucuns accessoires qui n'ont pas été fournis avec l'appareil.

FR



- L'appareil doit être branché à la prise murale avec une tension et la fréquence indiquées sur la plaque signalétique.
- Insérez la fiche à la prise murale située dans un endroit facilement accessible de sorte qu'en cas de panne l'appareil puisse être immédiatement déconnecté. Pour éteindre complètement l'appareil, débranchez-le de la source d'alimentation. Pour cela, retirez la fiche à l'extrémité du câble d'alimentation de la prise murale.
- Eteignez l'appareil avant de débrancher l'appareil de la prise!
- N'utilisez jamais les accessoires non recommandés par le fabricant. L'utilisation des accessoires non recommandés peut présenter des risques pour l'utilisateur et provoquer les dommages à l'appareil. Utilisez uniquement des pièces et accessoires originaux.
- Cet appareil n'est pas apte à être utilisé par des personnes (enfants compris) avec capacités physiques, sensorielles ou intellectuelles diminuées ou ne possédant pas l'expérience et les connaissances suffisantes.
- Ne laissez jamais les enfants utiliser l'appareil.
- L'appareil et le câble d'alimentation doivent être stockés hors de la portée des enfants.
- Ne permettez pas aux enfants d'utiliser l'appareil pour jouer
- Débranchez toujours l'appareil de l'alimentation s'il doit être laissé sans surveillance et également avant le montage, le démontage et le nettoyage.
- Ne laissez jamais l'appareil sans surveillance lorsqu'il est utilisé.

Consignes particulières de sécurité

-  **Attention ! Surface chaude !** La température des surfaces disponibles de l'appareil pendant l'utilisation est très élevée. Touchez uniquement les boutons du panneau de contrôle.
- Si l'appareil doit être placé à proximité de murs, de cloisons, de meubles de cuisine, de finitions décoratives, etc., il est recommandé de les recouvrir de matériaux ininflammables ; Si cela n'est pas possible, couvrez ce type de surfaces avec un matériau d'isolation thermique non combustible approprié et respectez les réglementations en matière d'incendie.
- Ne placez pas l'appareil sur un objet émettant de la chaleur (cuisinière à gaz, cuisinière électrique, grill, etc.). Gardez l'appareil à l'écart de toute surface chaude ou d'une flamme nue. Placez l'appareil sur une surface plane, stable, propre et sèche, résistant aux températures élevées.
- N'utilisez pas l'appareil à proximité de matériaux explosifs ou inflammables, de cartes de paiement, de disques magnétiques ou de radios.
- L'appareil n'est pas conçu pour fonctionner avec une minuterie externe ou un système de télécommande séparé.
- **AVERTISSEMENT** : Si le niveau d'huile dans le réservoir est inférieur au marquage L (niveau minimum) ou si le réservoir est vide, il y a un risque d'incendie.
- **AVERTISSEMENT** : Ne faites pas frire des produits alimentaires contenant beaucoup d'eau pour éviter la formation de mousse et les éclaboussures d'huile. Il est possible de mettre au maximum 1 kg de produits alimentaires dans la chambre de cuisson.

- Assurez un espace d'au moins 20 cm autour de l'appareil pour garantir une ventilation adéquate pendant l'utilisation.
- Utilisez uniquement l'huile destinée à la friture. Changez d'huile ou la graisse dans le réservoir. L'huile usée ou sale peut s'enflammer lorsqu'elle est chauffée à une température trop élevée.
- N'utilisez pas de couverts en plastique lorsque vous utilisez l'appareil.
- **Danger !** N'utilisez jamais de l'huile usée parce que son point d'éclair est inférieur et elle est plus sujette à l'ébullition soudaine ce qui augmente le risque d'incendie ou de situation dangereuse.
- **Attention !** L'utilisation de la nourriture de teneur en eau trop élevée ou de la quantité de nourriture excessive influencera la rapidité d'atteindre de la température d'ébullition de l'huile.
- Pour des raisons de sécurité chaque fois pendant la friture ne mettez pas trop de nourriture (la quantité maximale est d'environ 2 kg).
- Lavez l'appareil et les accessoires après chaque utilisation (--> Nettoyage et entretien)
- Ne nettoyez pas l'appareil avec un jet d'eau sous pression ou avec un nettoyeur à vapeur, ne rincez pas l'appareil avec de l'eau pour éviter l'humidité ou la pénétration de l'eau dans l'appareil ce qui pourrait entraîner un choc électrique.
- **Attention !** Faites passer et protégez correctement le cordon d'alimentation pour éviter toute traction accidentelle et tout contact avec la surface chauffée.
- Ne nettoyez pas l'appareil avec de l'eau. Le nettoyage de l'appareil peut provoquer la pénétration de l'eau dans les pièces électriques et provoquer un choc électrique.
- Ne nettoyez pas et ne placez pas l'appareil dans un endroit de stockage avant qu'il ne soit complètement refroidi.
- Les parties de l'appareil ne peuvent pas être lavées au lave-vaisselle.
- Avant de nettoyer ou de remplir l'appareil, débranchez la fiche de la prise de courant
- L'installation électrique doit répondre aux exigences nationales et locales pertinentes.
- Assurez-vous que le réservoir d'huile et l'élément chauffant sont placés dans un endroit sûr dans la cuisine en raison de la température élevée de l'appareil pendant le fonctionnement.

Destination de l'appareil

- Cet appareil est destiné à un usage professionnel. Ne peut qu'être utilisé par du personnel qualifié.
- L'appareil est destiné à un usage commercial et est utilisé pour la friture d'aliments appropriés tels que les frites, etc. L'utilisation de l'appareil à d'autres fins peut entraîner des dommages ou des blessures.
- L'utilisation de l'appareil à d'autres fins sera considérée comme une utilisation inappropriée. L'utilisateur sera seul responsable de l'utilisation incorrecte de l'appareil.



Mise à la terre

Le batteur mélangeur est un appareil de la 1ère classe de protection et doit être obligatoirement mis à la terre. La mise à la terre réduit le risque de choc électrique grâce à un conduit évacuant

le courant électrique. L'appareil est équipé d'un conduit avec la mise à la terre et la prise de terre. N'insérez pas la fiche à la prise murale si l'appareil n'a pas été correctement installé et mis à la terre.

Préparation avant la première utilisation

- Assurez-vous que l'appareil est intact. S'il est endommagé, contactez immédiatement votre fournisseur et N'UTILISEZ PAS l'appareil.
- Enlevez tout le matériel d'emballage et le feuil de protection éventuellement existant
- Nettoyez l'appareil avec de l'eau tiède et un chiffon doux.
- Mettez l'appareil dans une position horizontale et sur un fondement stable à moins qu'il ne soit indiqué autrement.
- Veillez à ce qu'il reste assez d'espace autour de l'appareil pour l'évacuation de la chaleur.
- Installez l'appareil en veillant à ce que la prise de courant demeure accessible à tout moment.

Installation

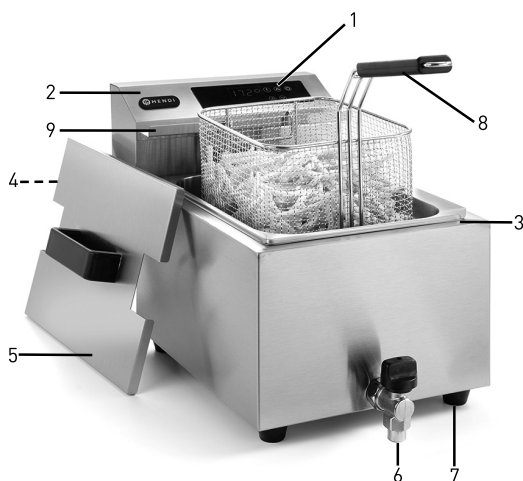
- L'appareil est équipé de pieds en caoutchouc. L'appareil doit être placé sur une surface plane, stable, propre et sèche, résistant aux températures élevées.
- Fixez soigneusement le support arrière de l'appareil avec l'élément chauffant à l'arrière du réservoir d'huile.

Note:

1. Assurez-vous que l'axe à l'arrière de l'appareil est correctement fixé.
2. Avant de commencer le travail, assurez-vous que le réservoir d'huile et l'élément chauffant sont placés dans un endroit sûr dans la cuisine en raison de la température élevée de l'appareil pendant le fonctionnement.

FR

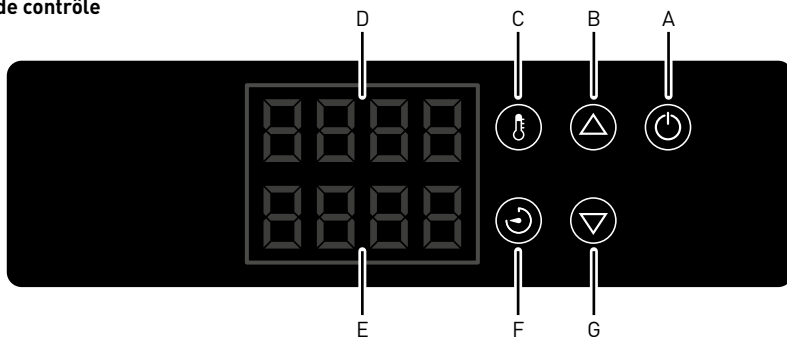
Parties principales de l'appareil



1. Panneau de contrôle
2. Support arrière démontable avec l'élément chauffant
3. Unité de base avec le réservoir d'huile
4. Bouton RESET (dans la partie inférieure du support arrière)
5. Couvercle
6. Robinet de vidange d'huile
7. Pieds
8. Panier pour les frites avec la poignée
9. Barre supportant le panier



Panneau de contrôle



A) Interrupteur ON/OFF

B) Bouton de l'augmentation de la valeur (température & minuterie)

C) Bouton de TEMPERATURE

D) Afficheur supérieur

E) Ecran d'affichage inférieur

F) Bouton de MINUTERIE

G) Bouton de la diminution de la valeur (température & minuterie)

Préparation

- Assurez-vous que le robinet de vidange est fermé.
- Débranchez la fiche de la prise de courant.
- Assurez-vous que le réservoir d'huile est propre et qu'il n'y a pas d'eau à l'intérieur.
- Remplissez soigneusement le réservoir avec de l'huile – le niveau d'huile doit se trouver entre les marques L (minimum) et H (maximum).
- Insérez la fiche mise à la terre dans une prise électrique reliée à la terre.
- Vous pouvez commencer à frire.

Friture

La friteuse comporte une zone froide unique pour que les miettes et le résidu coulent au fond et pour préserver la qualité de l'huile.

Contrôlez régulièrement s'il y a assez d'huile ou de graisse dans le récipient. Le niveau ne doit jamais se trouver au-dessous de l'indication "L" (minimum).

Fonctionnement

1. Réglage de la TEMPÉRATURE

- 1.1 Remplissez le réservoir d'huile et assurez-vous que le niveau d'huile est entre les marques L et H. N'oubliez pas qu'en plaçant les aliments dans l'huile son niveau augmentera. Ne mettez pas les aliments humides dans un récipient ou une grande quantité en même temps.
- 1.2 Connectez la fiche à une prise électrique appropriée.
- 1.3 Appuyez sur le bouton „ON/OFF” – le bouton s'allume. Les boutons de l'AUGMENTATION et de la DIMINUTION des valeurs commencent à clignoter. La température actuellement réglée apparaît sur l'écran d'affichage supérieur. (Plage de température : 25 °C ~ 195 °C).
- 1.4 Appuyez sur les boutons de l'AUGMENTATION et de la DIMINUTION de valeurs pour démarrer le processus de chauffage. La TEMPÉRATURE D'HUILE ACTUELLE apparaîtra sur l'écran d'affichage supérieur. Le bouton TEMPERATURE clignotera constamment.



1.5 Vous pouvez également sélectionner le bouton de TEMPERATURE pour afficher la DERNIERE TEMPERATURE REGLEE pendant 1 à 2 secondes. A ce moment, appuyez une fois sur le bouton de de L'AUGMENTATION et de la DIMINUTION de la température pour augmenter/diminuer la température d'1 °C. Appuyez sur le bouton et maintenez pour modifier le réglage plus rapidement. Après avoir relâché le bouton la NOUVELLE TEMPERATURE est automatiquement réglée après environ 2 à 3 secondes.

2. Réglage de la MINUTERIE

2.1 Pendant le fonctionnement de l'appareil, il est possible de régler la fonction MINUTERIE.

2.2 Appuyez sur le bouton MINUTERIE pendant 2 à 3 secondes pour accéder au mode de réglage MINUTERIE. Les boutons d'AUGMENTATION et de DIMINUTION commencent à clignoter.

2.3 Pendant 1 à 2 secondes appuyez sur le bouton de L'AUGMENTATION ou de la DIMINUTION de la valeur pour régler le temps de la MINUTERIE ; Appuyez sur le bouton et maintenez appuyé le bouton de L'AUGMENTATION ou de la DIMINUTION de la valeur pour modifier plus rapidement les valeurs souhaitées (plage de la MINUTERIE : 30 secondes – 20 minutes).

2.4 Le temps de la MINUTERIE nouvellement réglé est sauvegardé et après 2 à 3 secondes le compte à rebours commence.

2.5 Après avoir terminé le compte à rebours sur la ligne inférieure le message « END » apparaît.

1.6 Pendant le chauffage le bouton de TEMPERATURE clignote jusqu'à ce que l'huile atteigne la TEMPERATURE REGLEE et le bouton de TEMPERATURE s'éteint et l'appareil maintient la TEMPERATURE REGLEE. (± 2 °C).

1.7 Après avoir éteint l'appareil, l'information "oFF" apparaît sur la ligne supérieure de l'écran et l'information "Hot" apparaît sur la ligne inférieure de l'écran.

Deux signaux sonores courts sont émis pendant environ 1 minute (qui durent jusqu'à 10 secondes).

2.6 Appuyez une fois sur le bouton MINUTERIE pour revenir au dernier temps réglé. Appuyez à nouveau sur le bouton de la MINUTERIE pour entrer dans le mode de réglage de la minuterie et changer le temps réglé. Les boutons d'AUGMENTATION et de DIMINUTION commencent à clignoter. Le temps de la MINUTERIE nouvellement réglé est sauvegardé et après 2 à 3 secondes le compte à rebours commence.

Remarque : La barre supportant le panier sert à soutenir temporairement le panier pendant le vidage de l'excès d'huile. Ne penchez pas le panier sur la barre pendant une longue période pour empêcher de tomber ou de faire verser de l'huile chaude.

Calibrage

Cette fonction permet à l'utilisateur de calibrer et de régler la "température d'affichage" pour qu'elle soit identique à la "température réelle". Pour effectuer une mesure, il est nécessaire d'utiliser un thermomètre avec une sonde (non connectée à l'appareil).

- Pendant le fonctionnement, appuyez et maintenez les boutons de L'AUGMENTATION et de la DIMINUTION pendant 5 à 6 secondes pour lancer le « mode de calibrage ».
- La „température affichée” sur l'écran commence à clignoter.

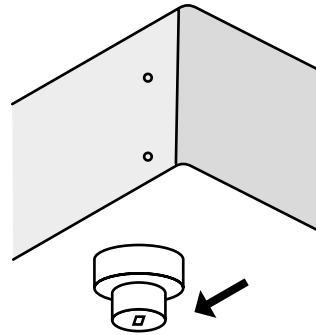
- Placez le thermomètre (non fourni avec l'appareil) dans le réservoir d'huile pour comparer les résultats. Soyez prudent : l'huile dans le réservoir est très chaude.
- En utilisant les boutons de L'AUGMENTATION et de la DIMINUTION des valeurs modifiez la „température affichée” conformément à la lecture obtenue avec un thermomètre (non fourni avec l'appareil).
- Une fois le calibrage terminé, appuyez sur le bouton TEMPERATURE pour confirmer.

REMISE A ZERO (RESET) du dispositif de protection thermique

Veillez noter que le bouton de REINITIALISATION est situé sous l'ensemble de l'élément chauffant amovible et est protégé par un capuchon (voir la figure).

- D'abord débranchez la friteuse de la prise électrique.
- Laissez refroidir la friteuse complètement.
- Débranchez le support arrière démontable de l'unité principale .
- Retirez le capuchon noir de protection du bouton de REINITIALISATION.
- Appuyez sur le bouton de REINITIALISATION du dispositif de protection thermique. Vous allez entendre un clic.

- Revissez le capuchon noir de protection du bouton de REINITIALISATION.
- Fixez à nouveau le support arrière démonté à l'unité principale .



Conseils de friture

- Utilisez de l'huile liquide (recommandée) ou de la graisse pour faire frire.
- La température recommandée pour les frites et les collations est de 175°C maximum.
- Chauffer l'huile/la graisse lentement. Par exemple, de préférence en trois étapes: tout d'abord à 100°C, ensuite de 100-140°C, puis 140-175°C, avec une pause entretemps de 15 min.
- Retirez de la glace et des miettes des aliments congelés.
- Ne mettez jamais trop de produits à frire dans la friteuse, car cela refroidit l'huile/la graisse rapidement et les produits à frire ne seront pas assez

vite grillés et seront plus intégrés avec de matières grasses. La ratio idéal entre la graisse/l'huile et les produits à frire est 1:10.

- Avec un usage intensif vous devriez toujours enlever les restes de cuisson de la graisse/huile.
- Remplacez l'huile/la graisse à temps. Utilisez des bandes d'essai ou un appareil de mesure pour suivre quand il faut remplacer la graisse.
- Si la graisse ou d'huile a de la mousse, la fumée ou devient liquoreux, vous devez le remplacer. Aussi quand une forte odeur ou un goût fort se développe.

FR

Graisse consistante

- Si vous utilisez, contre nos conseils, quand même de graisse consistante : faire chauffer la graisse lentement, dans la position la plus basse jusqu'à ça fonde. Lorsque la graisse a fondu, vous pouvez régler la température de friture adéquate.
- Lorsque vous utilisez de graisse consistante, laissez fondre le bloc de graisse lentement sur

un feu modéré dans une poêle à frire normale. Versez délicatement la graisse fondue dans la friteuse. Branchez la fiche principale et allumez la friteuse.

- Retirez le panier de friture après utilisation de la graisse. Cela empêche que le panier devient coincé dans la graisse solidifiée.

Après utilisation

- Débranchez l'appareil, éteignez l'interrupteur et retirez la fiche de la prise de courant.
- Retirez le panier du réservoir d'huile. Grâce à cela, le panier ne se congèle pas dans la graisse concentrée .

- Placez le couvercle sur la friteuse pour mieux conserver la graisse.



Nettoyage et entretien

- Avant le nettoyage, débranchez toujours l'appareil de la prise d'alimentation et laissez-le refroidir complètement.
- Attention : Ne plongez jamais l'appareil dans de l'eau ou dans un autre liquide !
- Nettoyez l'extérieur de l'appareil avec un chiffon humide (imbibé d'eau mélangée à un détergent doux).
- N'utilisez jamais de détergent agressif ou de la poudre à récurer. N'utilisez jamais d'objet tranchant ou pointu. N'utilisez jamais d'essence ou de solvant ! Nettoyez avec un chiffon humide et éventuellement du liquide vaisselle, mais n'utilisez pas de produit abrasif.
- L'appareil ne peut pas être nettoyé avec un nettoyeur à vapeur ou à l'eau.
- Après le nettoyage réassemblez l'appareil en s'assurant que le panneau de contrôle (panneau de chauffage) est correctement installé, sinon l'appareil ne fonctionnera pas correctement.

Caractéristiques techniques

Produit numéro	207369	207376
Tension et fréquence	230V~ 50Hz	
Consommation de l'énergie	3500W	2 x 3500W
Capacité	8L (avec le robinet)	2 x 8L (avec le robinet)
Niveau de protection	Classe I	
Résistance à l'eau	IPX3	
Plage de temps de la minuterie	30 secondes ~ 20 minutes	
Plage de température	25°C ~ 195°C	
Dimensions externes	300x515x(H)345mm	605x515x(H)345mm

Remarque : Les caractéristiques techniques peuvent être modifiées sans préavis.

Recherche des pannes et dépannage

Si l'appareil ne fonctionne pas correctement, lisez les instructions dans le tableau ci-dessous pour trouver une bonne solution. Si vous ne pouvez pas résoudre le problème, contactez votre revendeur.

Panne	Description	Cause	Solution possible
L'appareil ne fonctionne pas du tout.	Voyant orange ne s'allume pas	Pas de tension	Contrôlez l'installation électrique Interrupteur défectueux
		Dispositif de protection thermique enclenchée.	Réinitialisez la dispositif de protection thermique (voir page 42)
		Dispositif de protection thermique défectueux.	Contactez votre fournisseur.
		Thermostat défectueux	Contactez votre fournisseur.
L'appareil ne fournit pas la température désirée.	Cuisson longue	Thermostat défectueux	Contactez votre fournisseur.
		Elément défectueux	Contactez votre fournisseur.

Si après ces contrôles, le dysfonctionnement persiste, il est conseillé de contacter l'assistance technique. En cas de doute, prenez aussi toujours contact avec votre fournisseur.

Garantie

Tout vice ou toute défaillance entraînant un dysfonctionnement de l'appareil qui se déclare dans les 12 mois suivant la date de l'achat sera éliminé à titre gratuit ou l'appareil sera remplacé par un appareil nouveau si le premier a été dûment exploité et entretenu conformément aux termes de la notice d'exploitation et s'il n'a pas été indûment exploité ou de manière non conforme à sa destination. La présente stipulation ne porte pas de préjudice aux autres droits de l'utilisateur prévus par les dispositions légales. Dans le cas où l'appareil est donné à la réparation ou doit être remplacé

dans le cadre de la garantie, il y a lieu de spécifier le lieu et la date de l'achat de l'appareil et produire un justificatif nécessaire (par ex. facture ou ticket de caisse).

Conformément à notre politique d'amélioration permanente de nos produits, nous nous réservons le droit d'introduire sans avertissement préalable des modifications à l'appareil, à l'emballage et aux caractéristiques techniques précisées dans la documentation.

Élimination et protection de l'environnement

En cas de retrait du produit de l'exploitation l'appareil ne peut pas être jeté avec d'autres déchets ménagers. L'utilisateur est responsable de la remise de l'équipement au point de collecte approprié pour l'équipement usagé. Le non-respect des dispositions ci-dessus peut entraîner les pénalités conformément à la réglementation applicable en matière d'élimination des déchets. La collecte sélective et le recyclage des équipements usagés contribuent à la conservation des ressources na-


turelles et assurent un recyclage sans danger pour la santé et l'environnement. Pour plus d'informations sur les endroits de collecte des équipements usagés pour le recyclage, contactez la société de collecte des déchets locale. Le producteur et l'importateur ne sont pas responsables du recyclage et du traitement des déchets d'une manière respectueuse de l'environnement directement et dans le système public.



Gentile cliente,

grazie per aver acquistato questo apparecchio Hendi. Ti invitiamo a leggere queste istruzioni per l'uso con attenzione prima di collegare l'apparecchio al fine di evitare danni dovuti a uso improprio. Ti invitiamo inoltre a prestare particolare attenzione alle precauzioni di sicurezza.

Precauzioni di sicurezza


- L'uso scorretto e improprio dell'apparecchio possono danneggiare seriamente l'apparecchio e ferire gli utenti.
- Questo apparecchio è destinato esclusivamente all'uso commerciale.
- L'apparecchio può essere utilizzato solo per lo scopo per cui è stato concepito e progettato. Il produttore non è responsabile di eventuali danni provocati da uso scorretto ed improprio.
- Tenere l'apparecchio e la spina elettrica lontani da acqua ed altri liquidi. Nel caso improbabile che l'apparecchio cada in acqua, staccare immediatamente la spina dalla presa e fare ispezionare l'apparecchio da un tecnico certificato. L'inosservanza delle presenti istruzioni può dare luogo a situazioni pericolose
- Non provare mai ad aprire l'involucro dell'apparecchio da soli.
- Non inserire oggetti nell'involucro dell'apparecchio.
- Non toccare la presa con le mani bagnate o umide.
-  **Pericoli di scosse elettriche!** Non tentare di riparare l'apparecchio da solo. Eventuali difetti e malfunzionamenti devono essere rimossi soli da personale qualificato.
- **Non usare l'apparecchio danneggiato!** L'apparecchio difettoso deve essere immediatamente scollegato dalla rete e contattare il rivenditore.
- **Attenzione:** Non immergere parti elettriche in acqua o altri liquidi. Non mettere l'apparecchio sotto l'acqua corrente.
- Controllare regolarmente se la spina e il cavo di alimentazione non sono danneggiati. La spina o il cavo danneggiati trasmettere al servizio o alla persona qualificare per riparare, per evitare eventuali pericoli e lesioni.
- Assicurarsi che il cavo di alimentazione non è in contatto con oggetti appuntiti o caldi. Tenere il cavo lontano da fiamme libere. Per scollegare la spina dalla presa, tirare sempre la spina, mai il cavo.
- Proteggere il cavo di alimentazione (o di estensione) per la sconnessione accidentale dalla presa. Disporre il cavo in modo per evitare lo slittamento accidentale.
- Sorvegliare l'apparecchio continuamente durante l'uso.
- **Attenzione!** Se la spina è inserita nella presa, l'apparecchio è considerato come collegato.
- Prima di rimuovere la spina dalla presa, spegnere l'apparecchio!
- Non trasportare l'apparecchio tenendo il cavo di alimentazione.
- Non utilizzare qualsiasi accessorio che non è stato fornito con l'apparecchio.
- L'apparecchio deve essere collegato ad una presa con tensione e frequenza indicate sulla targhetta.

IT



- Inserire la spina nella presa situata in un punto facilmente accessibile in modo che in caso di guasto sia possibile scollegare immediatamente l'apparecchio. Per spegnere completamente l'apparecchio, scollegarlo dalla presa di corrente. Per questo staccare la spina che si trova sull'estremità del cavo di alimentazione.
- Prima di scollegare la spina, ricordarsi sempre di spegnere l'apparecchio!
- Non usare gli accessori non raccomandati dal produttore. L'uso di accessori non raccomandati può creare i rischi per l'utente e provocare i danni all'apparecchio. Usare unicamente solo pezzi ed accessori originali.
- L'installazione elettrica deve soddisfare le normative nazionali e locali applicabili. Questo apparecchio non è destinato all'uso da parte di persone (inclusi i bambini) con capacità fisiche, sensoriali o mentali ridotte, o senza esperienza e conoscenza.
- Non permettere ai bambini di utilizzare l'apparecchio.
- Tenere l'apparecchio con il cavo fuori dalla portata dei bambini.
- Non permettere ai bambini di giocare con l'apparecchio.
- Scollegare l'apparecchio dalla rete se esso deve essere lasciato incustodito e prima del montaggio, dello smontaggio o della pulizia.
- Non lasciare l'apparecchio incustodito durante l'utilizzazione.

Disposizioni particolari di sicurezza

-  **Attenzione! Superficie calda!** La temperatura delle superfici disponibili dell'apparecchio durante l'uso è molto alta. Toccare solo i pulsanti del pannello di controllo.
- Se l'apparecchio deve essere posizionato vicino a pareti, pareti divisorie, mobili da cucina, finiture decorative, ecc., si raccomanda che siano coperti con materiali non infiammabili; se questo non è possibile, coprire tali superfici con un idoneo materiale isolante termico non combustibile e osservare le norme antincendio.
- Non posizionare l'apparecchio su un oggetto che emette calore (fornello a gas, fornello elettrico, grill, ecc.). Tenere l'apparecchio lontano da superfici calde o fiamme libere. Posizionare l'apparecchio su una superficie piana, stabile, pulita e asciutta, resistente alle alte temperature.
- Non utilizzare l'apparecchio vicino a materiali esplosivi o infiammabili, carte di pagamento, dischi magnetici o radio.
- L'apparecchio non è progettato per funzionare con un timer esterno o un sistema di controllo remoto separato.
- **AVVERTENZA:** se il livello dell'olio nel recipiente è al di sotto del segno L (livello minimo) o se il recipiente è vuoto, c'è il rischio di incendio.
- **AVVERTENZA:** non friggere prodotti alimentari che contengono molta acqua per evitare la formazione di schiuma e schizzi d'olio. Mettere nella camera di frittura al massimo 1 kg di prodotti alimentari.
- Prevedere almeno uno spazio di 20 centimetri attorno all'apparecchio per assicurare una corretta ventilazione durante l'uso.
- Utilizzare solo olio per frittura. Cambiare regolarmente olio o grasso nel recipiente. L'olio vecchio o sporco può incendiarsi se è riscaldato a una temperatura troppo alta.



- Non utilizzare le posate di plastica mentre si utilizza l'apparecchio.
- **Pericolo!** Non usare mai olio vecchio perché il suo punto di infiammabilità è inferiore ed è più incline ad ebollizione improvvisa che aumenta il rischio di un incendio o di una situazione pericolosa.
- **Attenzione!** L'utilizzo di cibo di contenuto troppo elevato di acqua o di quantità eccessiva di cibo influisce la velocità di raggiungere la temperatura di ebollizione dell'olio.
- Per ragioni di sicurezza ogni volta durante frittura non mettere troppa quantità di cibo (carico massimo è di circa 2 kg).
- Lavare l'apparecchio e i suoi accessori dopo ogni utilizzo (-> Pulizia e manutenzione)
- Non lavare l'apparecchio con acqua o un forte getto di acqua e non utilizzare un pulitore a vapore. La pulizia dell'apparecchio con l'acqua può causare la penetrazione dell'umidità nei componenti elettrici e causare una scossa elettrica.
- **Attenzione!** Far passare e proteggere il cavo di alimentazione per evitare di strappare o toccare accidentalmente la superficie riscaldata.
- Non pulire l'apparecchio con l'acqua. La pulizia dell'apparecchio con l'acqua può causare la penetrazione dell'umidità nei componenti elettrici e causare una scossa elettrica.
- Non pulire o posizionare l'apparecchio in un luogo di conservazione se non è completamente raffreddato.
- Le parti dell'apparecchio non possono essere lavate in lavastoviglie.
- Prima di pulire o riempire l'apparecchio, scollegare l'apparecchio dalla presa.
- L'installazione elettrica deve soddisfare i requisiti nazionali e locali pertinenti.
- Assicurarsi che il recipiente dell'olio e l'elemento riscaldante siano collocati in un luogo sicuro in cucina a causa dell'elevata temperatura dell'apparecchio durante il funzionamento.

Destinazione del dispositivo

- Questo apparecchio è destinato all'uso professionale e può essere utilizzato solo da personale qualificato.
- L'elettrodomestico è progettato esclusivamente per friggere alimenti adatti come patatine fritte, ecc. L'uso del dispositivo per qualsiasi altro scopo può causare danni o lesioni.
- L'uso del dispositivo per qualsiasi altro scopo sarà considerato un uso improprio. L'utente sarà l'unico responsabile per l'uso scorretto del dispositivo.

Messa a terra

Il mixer planetario è l'apparecchio della I classe di protezione e deve essere messa a terra. La messa a terra riduce il rischio di scosse elettriche grazie al cavo evacuante il corrente elettrico. L'apparecchio

è dotato di un cavo con una messa a terra. Non inserire la spina nella presa di corrente se l'apparecchio non è stato correttamente installato o messo a terra.

Preparazione per la messa in funzione

- Testare l'apparecchio per eventuali danni. Se tali danni esistono, contattare immediatamente il fornitore e non usare in nessun caso l'apparecchio.
- Togliere l'imballaggio e l'eventuale pellicola protettiva.
- Pulire l'apparecchio con un panno morbido ed acqua tiepida.

- In mancanza di disposizioni, posizionare l'apparecchio in modo orizzontale.
- Intorno all'apparecchio dovrebbe esserci spazio sufficiente.
- Posizionare l'apparecchio in modo che la spina possa essere tolta in ogni momento.

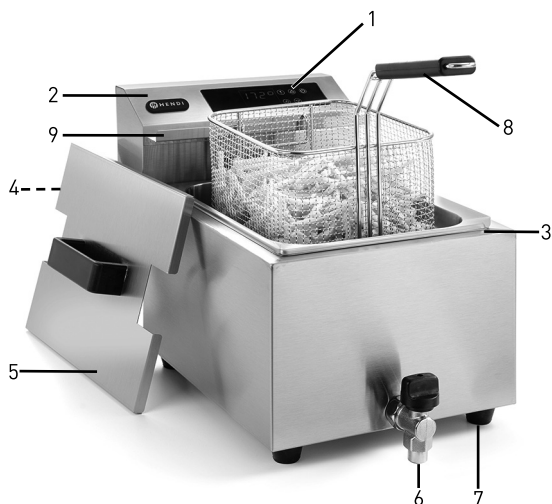
Installazione

- L'apparecchio è dotato di piedini in gomma. L'apparecchio deve essere posizionato su una superficie piana, stabile, pulita e asciutta, resistente alle alte temperature.
- Attaccare con attenzione il supporto posteriore con l'elemento riscaldante sul retro del recipiente dell'olio.

Nota:

1. Assicurarsi che il perno sul supporto posteriore dell'apparecchio sia correttamente fissato.
2. Prima di iniziare i lavori, assicurarsi che il recipiente dell'olio e l'elemento riscaldante siano collocati in un luogo sicuro in cucina a causa dell'elevata temperatura dell'apparecchio durante il funzionamento.

Parti principali dell'apparecchio

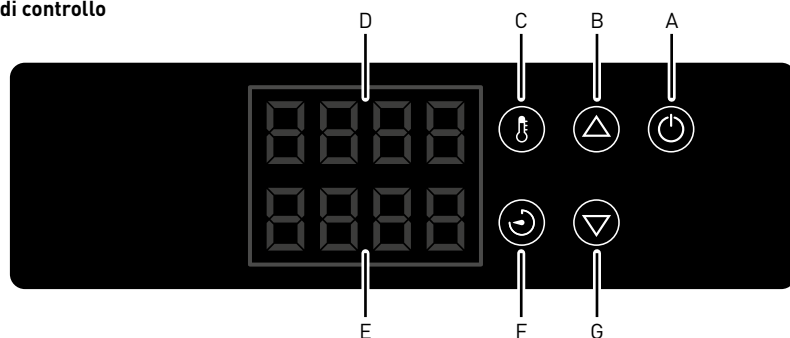


1. Pannello di controllo
2. Supporto posteriore smontabile dell'apparecchio con l'elemento riscaldante
3. Unità di base con recipiente dell'olio
4. Pulsante RESET (nella parte inferiore del supporto posteriore)

5. Copertura
6. Rubinetto di scarico dell'olio
7. Piedini
8. Cestino per patate fritte con manico
9. Listello di supporto del cestino



Pannello di controllo



A) Interruttore ON/OFF

B) Pulsante di aumento del valore (temperatura & timer)

C) Pulsante di TEMPERATURA

D) Display superiore

E) Display inferiore

F) Pulsante di TIMER

G) Pulsante di diminuzione del valore (temperatura & timer)

Preparazione all'uso

- Assicurarsi che il rubinetto di scarico dell'olio sia chiuso.
- Rimuovere la spina dalla presa.
- Assicurarsi che il recipiente dell'olio sia pulito e che non vi sia acqua all'interno.
- Riempire con attenzione il serbatoio con olio - il livello dell'olio deve essere compreso tra i contrassegni L (minimo) e H (massimo).
- Inserire la spina con messa a terra in una presa elettrica dotata di messa a terra.
- Adesso è possibile friggere.

Friggere

La friggitrice è in possesso di una zona-freddo unica, dove i resti della frittura e le briciole scendono sul fondo e, perciò, il grasso ha una durata naturalmente più lunga.

Controllare regolarmente se nel contenitore c'è olio o grasso a sufficienza. Il livello non deve scendere mai sotto il contrassegno L (minimo).

Funzionamento

1. Impostazione della TEMPERATURA

1.1 Riempire il serbatoio con olio e assicurarsi che il livello dell'olio sia compreso tra i contrassegni L e H. Ricordare che dopo aver posizionato il cibo nell'olio il livello dell'olio aumenterà. Non mettere gli alimenti umidi in un recipiente o in una grande quantità allo stesso tempo.

1.2 Collegare la spina a una presa elettrica adatta.

1.3 Premere il pulsante "ON / OFF" - il pulsante si illuminerà. I pulsanti di AUMENTO e DIMINUIZIONE inizieranno a lampeggiare. La temperatura attualmente impostata apparirà sul display superiore. (Intervallo di temperatura: 25 °C ~ 195 °C).

1.4 Premere i pulsanti AUMENTO e DIMINUIZIONE per avviare il processo di riscaldamento. La TEMPERATURA DELL'OLIO CORRENTE apparirà sul display superiore. Il pulsante TEMPERATURE lampeggia costantemente.

1.5 È anche possibile scegliere il pulsante TEMPERATURA per visualizzare l'ultima TEMPERATURA IMPOSTATA per 1-2 secondi. A questo punto, premere il pulsante di AUMENTO o DIMINUIZIONE della temperatura per modificare la TEMPERATURA IMPOSTATA, se necessario. Premere il pulsante di AUMENTO o DIMINUIZIONE della temperatura una volta per aumentare / diminuire la temperatura di 1 ° C. Premere e tenere premuto il pulsante per modificare più velocemente il valore impostato. Dopo aver rilasciato il pulsante, la NUOVA TEMPERATURA verrà impostata automaticamente dopo circa 2-3 secondi.

2. Impostazione del TIMER

2.1 Durante il funzionamento dell'apparecchio è possibile impostare la funzione del TIMER.

2.2 Premere e premere il pulsante TIMER per 2-3 secondi per accedere alla modalità di impostazione TIMER. I pulsanti di DIMINUIZIONE e di AUMENTO del valore inizieranno a lampeggiare.

2.3 Premere entro 1-2 secondi il pulsante di AUMENTO o DIMINUIZIONE del valore per impostare il tempo del TIMER. Dopo aver premuto il pulsante una volta il valore cambierà di 30 secondi – il tempo corrente dell'impostazione TIMER verrà mostrato nella riga inferiore del display. Premere e tenere premuto il pulsante dei valori di AUMENTO o DIMINUIZIONE per impostare i valori desiderati più rapidamente (intervallo TIMER: 30 secondi - 20 minuti).

2.4 Il tempo TIMER appena impostato è salvato e dopo 2-3 secondi il conto alla rovescia è iniziato.

1.6 Durante il riscaldamento, il pulsante TEMPERATURA lampeggia finché l'olio non raggiunge la TEMPERATURA IMPOSTATA. Dopo aver raggiunto la TEMPERATURA IMPOSTATA, il pulsante TEMPERATURA si spegnerà e l'unità manterrà la TEMPERATURA IMPOSTATA ($\pm 2^\circ \text{C}$).

1.7 Dopo aver spento l'apparecchio l'informazione "OFF" apparirà nella riga superiore del display e l'informazione "Hot" apparirà nella riga inferiore del display.

2.5 Dopo aver terminato il conto alla rovescia nella riga inferiore del display viene visualizzata l'iscrizione "END". Due brevi segnali acustici sono emessi per circa 1 minuto (che durano fino a 10 secondi).

2.6 Premere una volta il pulsante TIMER per tornare all'ultimo tempo impostato. Premere di nuovo il pulsante di TIMER per accedere alla modalità di impostazioni del TIMER. I pulsanti di DIMINUIZIONE e di AUMENTO del valore inizieranno a lampeggiare. Il tempo TIMER appena impostato è salvato e dopo 2-3 secondi il conto alla rovescia è iniziato.

Nota: Il listello di supporto del cestello viene utilizzato per sostenere temporaneamente il cestello quando si scarica l'olio in eccesso. Non appoggiare il cestello sullo listello per un lungo periodo di tempo per evitare di cadere o versare l'olio caldo.

Taratura

Questa funzione consente all'utente di calibrare e impostare la "temperatura visualizzata" perché sia uguale alla "temperatura effettiva". Per effettuare una misurazione, è necessario un termometro con una sonda (non fornito all'apparecchio).

- Mentre l'apparecchio è in funzione, premere e tenere premuti entrambi i pulsanti di AUMENTO o DIMINUIZIONE per 5-6 secondi per avviare la "modalità di taratura".
- La "temperatura visualizzata" sul display lampeggia.

- Posizionare un termometro (non fornito all'apparecchio) nel recipiente dell'olio per confrontare i risultati. Fare attenzione: l'olio nel recipiente è caldo.
- Utilizzare i pulsanti di AUMENTO e DIMINUIZIONE per modificare la "temperatura visualizzata" in base alla lettura ottenuta con un termometro (non fornito all'apparecchio).
- Dopo aver terminato la taratura premere il pulsante di TEMPERATURA per confermare.

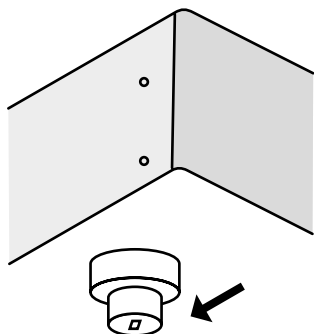


Eeguire il reset del circuito di sovraccarico

Il pulsante RESET che costituisce la protezione contro il surriscaldamento si trova nella parte inferiore del supporto posteriore smontabile e è protetto con un cappuccio (vedere la figura).

- In primo luogo scollegare l'apparecchio dalla presa elettrica togliendo la spina.
- Lasciare raffreddare completamente l'apparecchio.
- Scollegare il supporto posteriore smontabile dall'unità principale.
- Togliere il tappo nero di protezione del pulsante RESET.
- Premere il pulsante RESET della circuito di sovraccarico. Si sente un clic.
- Avvitare il tappo nero di protezione del pulsante RESET.

- Riattaccare il supporto posteriore rimosso all'unità principale.



Suggerimenti per la frittura

- Utilizzare olio liquido (consigliato) o grasso per frittura.
- La temperatura di frittura consigliata non deve superare mai i 175° C.
- Riscaldare l'olio lentamente in tre fasi, per esempio, prima a 100° C, poi a 140° C ed infine a 175° C, con una sospensione di circa 15 minuti tra una fase e l'altra.
- Allontanare il ghiaccio e le briciole dalla frittura congelata.

- Non friggere mai troppo in una sola volta, ciò può causare un raffreddamento del grasso rispettivamente dell'olio. Olio o grasso freddo, possono essere assorbiti dagli alimenti. Il rapporto ideale è max 1:10.
- Dopo l'uso, filtrare accuratamente le briciole ed altri resti dall'olio/grasso.
- Cambiare regolarmente l'olio/grasso. Usare le strisce reattive per regolari controlli.
- Se l'olio/grasso inizia a schiumare, fumare od a puzzare, sostituirlo immediatamente.

Dopo l'uso

- Spegnerne l'apparecchio spegnendo l'interruttore e togliendo la spina dalla presa.
- Rimuovere il cestello dal recipiente dell'olio. Grazie a ciò, il cestino non rimarrà in grasso concentrato

- Porre il coperchio sulla friggitrice, in modo che il grasso resti fresco.

Pulitura e manutenzione

- Prima di pulire, scollegare sempre l'apparecchio e lasciarlo raffreddare completamente.
- Attenzione: non immergere mai l'apparecchio nell'acqua od in altri liquidi!
- Pulire l'esterno dell'apparecchio con un panno umido [acqua con un detergente delicato].
- Non usare mai in nessun mai detersivi o abrasivi aggressivi. Non usare oggetti appuntiti o affilati. Non usare benzina o solventi! Pulire l'apparec-

chio con un panno umido o eventualmente, con un detersivo. Non usare abrasivi.

- L'apparecchio non deve essere pulito con un pulitore a vapore o con acqua.
- Dopo la pulizia, l'apparecchio deve essere riassemblato controllando che il pannello di controllo (pannello di riscaldamento) è installato correttamente – altrimenti l'apparecchio non funzionerà correttamente.

Specifiche tecniche

Prodotto n.	207369	207376
Tensione e frequenza	230V~ 50Hz	
Consumo di energia	3500W	2 x 3500W
Capacità	8L (con valvola)	2 x 8L (con valvola)
Classe di protezione	Classe I	
Resistenza all'acqua	IPX3	
Intervallo di tempo del timer	30 secondi ~ 20 minuti	
Intervallo di temperatura	25°C ~ 195°C	
Dimensioni esterne	300x515x(altezza) 345mm	605x515x(altezza) 345mm

Nota: Le specifiche tecniche sono soggette a modifiche senza preavviso.

Identificazione e risoluzione dei problemi

Se l'apparecchio non funziona correttamente, leggere la tabella qui sotto per trovare la soluzione corretta.

Se non è possibile risolvere il problema, contattare il rivenditore.

Guasto	Motivo	Causa	Eventuale soluzione
L'apparecchio non funziona	La spia verde arancione non è accesa	Nessuna tensione di rete	Controllare l'impianto elettrico L'interruttore è difettoso
		È stato attivato il circuito di sovraccarico	Disattivare il circuito di sovraccarico. (Vedere pagina 51)
		Il circuito di sovraccarico è difettoso	Contattare il fornitore
		Termostato difettoso	Contattare il fornitore
L'apparecchio non raggiunge la temperatura indicata	Durata della frittura troppo lunga	Termostato difettoso	Contattare il fornitore
		Elemento difettoso	Contattare il fornitore

Se, nonostante tutti i controlli l'apparecchio presente sempre ancora guasti, rivolgersi al servizio clienti.

In caso di dubbi, mettersi in contatto con il fornitore!

IT



Garanzia

Qualsiasi difetto che influenza la funzionalità del dispositivo che compaia entro un anno dall'acquisto sarà corretto a titolo interamente gratuito o con la sostituzione del prodotto che è stato utilizzato e sottoposto a manutenzione corretta seguendo le istruzioni, senza alcuna violazione. I diritti legali del cliente non sono assolutamente modificati. Nel caso in cui l'intervento di manutenzione o sostitu-

zione sia previsto nel periodo di validità della garanzia, precisare dove e quando si è acquistato il prodotto, possibilmente allegando lo scontrino.

In linea con la nostra politica di sviluppo continuo dei prodotti, ci riserviamo il diritto di modificare il prodotto, l'imballo e le specifiche di documentazione, senza notifica alcuna.

Smaltimento e protezione dell'ambiente

In caso di ritiro dell'apparecchiatura dal funzionamento il prodotto non può essere smaltito con altri rifiuti domestici. L'utente è responsabile della consegna dell'attrezzatura al punto di raccolta appropriato per l'attrezzatura usata. Il mancato rispetto delle disposizioni sopramenzionate può comportare l'imposizione di sanzioni in conformità con le normative vigenti in materia di smaltimento dei rifiuti. La raccolta e il riciclaggio selettivi di attrezzature usate contribuiscono alla conserva-

zione delle risorse naturali e garantiscono il riciclaggio in modo tale da non nuocere alla salute e all'ambiente. Per ulteriori informazioni sui luoghi di smaltimento delle apparecchiature usate per il riciclaggio, contattare la società locale di raccolta dei rifiuti. Il produttore e l'importatore non sono responsabili per il riciclaggio e il trattamento dei rifiuti in modo ecologico, sia direttamente che nel quadro del sistema pubblico.

Stimate client,

Vă mulțumim pentru achiziționarea acestui aparat Hendi. Vă rugăm să citiți cu atenția acest manual înainte de a conecta aparatul pentru evitarea defectării ca urmare a utilizării incorecte. Acordați o atenție deosebită regulilor de siguranță.

Reguli de siguranță


- Operarea incorectă și utilizarea necorespunzătoare a aparatului poate avaria grav aparatul și poate cauza răni oamenilor.
- Acest aparat este destinat numai pentru uz comercial.
- Aparatul poate fi folosit doar în scopul pentru care a fost proiectat. Producătorul nu este răspunzător pentru orice avariere cauzată operării incorecte și a utilizării necorespunzătoare.
- Asigurați-vă că aparatul și ștecherul nu intră în contact cu apă sau alte lichide. În cazul în care aparatul este scăpat în apă, scoateți imediat ștecherul din priză și un tehnician autorizat trebuie să-l verifice. Dacă nu respectați aceste instrucțiuni, acest lucru poate cauza situații care vă pot pune viața în pericol.
- Nu încercați să deschideți singuri carcasa aparatului.
- Nu introduceți nici un fel de obiecte în carcasa aparatului.
- Nu atingeți ștecherul cu mâinile ude sau umede.
- ⚠ **Pericol de electrocutare!** Nu încercați să reparați singur/ă aparatul. În cazul unei defecțiuni, reparațiile vor fi efectuate întotdeauna numai de personal calificat.
- **Nu utilizați niciodată un aparat defect!** Deconectați aparatul de la priza electrică și contactați distribuitorul în cazul unei defecțiuni.
- **Avertisment!** Nu scufundați părțile electrice ale aparatului în apă sau în alte lichide. Nu țineți niciodată aparatul sub jet de apă.
- Verificați în mod regulat ștecărul și cablul pentru a vă asigura că nu sunt deteriorate. În cazul în care ștecărul sau cablul de alimentare este deteriorat, acesta trebuie înlocuit de agentul de service sau de alt personal calificat similar pentru a evita orice pericol.
- Cablul nu trebuie să intre în contact cu obiecte ascuțite sau fierbinți și trebuie păstrat departe de foc. Pentru a scoate ștecărul din priză, trageți întotdeauna de ștecăr, nu de cablu.
- Asigurați-vă că nimeni nu poate trage din greșeală cablul (sau prelungitorul) și că nimeni nu se poate împiedica de el.
- Supravegheați întotdeauna aparatul atunci când este în funcțiune.
- **Avertisment!** Atât timp cât ștecărul este în priză, aparatul este conectat la sursa de electricitate.
- Opriti aparatul înainte de a scoate ștecărul din priză.
- Nu cărați niciodată aparatul ținându-l de cablu.
- Nu utilizați dispozitive suplimentare care nu sunt livrate împreună cu aparatul.
- Conectați aparatul doar la prize electrice cu intensitatea și frecvența electrice menționate pe eticheta aparatului.

RO



- Conectați cablul de alimentare la o priză electrică ușor accesibilă, astfel încât aparatul să poată fi deconectat imediat în caz de urgență. Scoateți cablul de alimentare din priza electrică pentru a opri complet aparatul. Utilizați cablul de alimentare ca dispozitiv de deconectare.
- Opriti întotdeauna aparatul înainte de a deconecta cablul de alimentare.
- Nu utilizați niciodată accesoriile care nu sunt recomandate de către producător. Acestea pot reprezenta un risc de siguranță pentru utilizator și pot deteriora aparatul. Utilizați numai piese și accesoriile originale.
- Acest aparat nu trebuie folosit de copii sau persoane care au capacități mentale, senzoriale sau fizice reduse, sau lipsă de experiență și cunoștințe.
- Acest aparat nu trebuie utilizat sub nicio formă de către copii.
- Nu țineți produsul și cablurile sale la îndemâna copiilor.
- Copiii nu trebuie să se joace cu acest produs.
- Deconectați întotdeauna aparatul de la sursa de alimentare în cazul în care este lăsat nesupravegheat, precum și înainte de asamblare, dezasamblare sau curățare.
- Nu lăsați niciodată aparatul nesupravegheat pe parcursul utilizării.

Instrucțiuni speciale de siguranță

-  **Atenție! Suprafață fierbinte!** Temperatura suprafeței accesibile este foarte ridicată în timpul utilizării. Atingeți doar pictogramele de pe panoul de comandă.
- Dacă aparatul trebuie așezat în apropierea unui zid, perete despărțitor, mobilier de bucătărie, finisaje decorative etc., recomandăm ca acestea să fie făcute din materiale necombustibile; dacă nu, acestea trebuie învelite în materiale termoizolatoare, cu maximum de atenție la respectarea normelor de prevenire a incendiilor.
- Nu puneți aparatul pe un obiect de încălzire (aparat de gătit cu benzină, electric, cărbune etc.). Mențineți aparatul la distanță de orice suprafețe fierbinți și de flăcări deschise. Utilizați întotdeauna aparatul pe o suprafață orizontală, stabilă, curată, termorezistentă și uscată.
- Nu utilizați aparatul în apropierea materialelor explozibile sau inflamabile, cardurilor de credit, discurilor magnetice sau radiourilor.
- Acest aparat nu este construit spre a fi utilizat cu ajutorul unui cronometru extern sau al unui sistem de control separat.
- **AVERTISMENT:** Există pericol de foc dacă nivelul uleiului se află sub marcajul „L” (Min) sau dacă recipientul pentru ulei este gol.
- **AVERTISMENT:** Nu prăjiți alimente prea umede și prea multe alimente în același timp, pentru a evita spumarea excesivă și deversarea uleiului. Cantitatea maximă a unui lot este de aproximativ 1 kg.
- În timpul utilizării, lăsați cel puțin 20 cm în jurul aparatului ca spațiu de ventilație.
- Folosiți doar ulei sau untură adecvate pentru prăjit. Înlocuiți uleiul sau untura la intervale regulate. Uleiul sau untura prăjite excesiv sau murdare se pot aprinde dacă se supraîncălzesc.”
- Nu utilizați tacâmuri din plastic în timpul funcționării.

- **Pericol!** Nu folosiți niciodată ulei vechi deoarece uleiul vechi are un punct de aprindere mai scăzut și este mai susceptibil de a forma spumă, ceea ce crește riscul de incendiu și de apariție a situațiilor periculoase.
- **Avertisment!** Alimentele excesiv de umede sau puse în cantitate prea mare în aparat influențează punctul de fierbere al uleiului.
- Din motive de siguranță, nu este bine să puneți la prăjit cantități prea mari dintr-o dată (cantitatea maximă de încărcare este de aproximativ 2 kg).
- Curățați aparatul și celelalte accesorii după fiecare utilizare (-->Curățare și întreținere).
- Nu folosiți niciodată jeturi de apă, nu turnați apă direct peste aparat și nu curățați aparatul cu abur, deoarece piesele se vor uda, ceea ce ar duce la electrocutare.
- **Atenție!** Așezați corespunzător cablul de alimentare, dacă este cazul, pentru a împiedica tragerea neintenționată sau contactul cu suprafața de încălzire.
- Nu spălați aparatul cu apă. La spălare se pot produce scurgeri, ceea ce va crește riscul de electrocutare.
- Nu curățați și nu depozitați aparatul decât după ce s-a răcit complet.
- Niciuna dintre piese nu este destinată spălării în mașina de spălat vase.
- Scoateți întotdeauna ștecherul din priză atunci când umpleți sau curățați friteuza.
- Instalația electrică trebuie să fie conformă cu reglementările aplicabile naționale și locale.
- Rezervorul friteuzei și elementul trebuie amplasate într-o poziție sigură în bucătăria dumneavoastră înainte de utilizare, din cauza conținutului fierbinte din timpul utilizării.

Destinația produsului

- Acest aparat este destinat uzului profesional și poate fi utilizat numai de personal calificat.
- Acest aparat este destinat exclusiv prăjirea numai a anumitor alimente cum ar fi cartofii prăjiți. Orice altă utilizare poate provoca avarierea aparatului sau accidentarea persoanelor.
- Utilizarea aparatului în orice alt scop reprezintă o utilizare incorectă. Utilizatorul este singurul răspunzător de orice utilizare incorectă a aparatului.

Instalația de împământare

Acest aparat este încadrat în clasa de protecție I și trebuie conectat la împământare de protecție. Împământarea reduce riscul electrocutării prin asigurarea unui fir de ieșire pentru curentul electric.

Acest aparat este dotat cu un cablu cu fir și fișă de împământare. Fișa trebuie conectată la o priză instalată corespunzător și cu împământare.

Pregătirea pentru prima sa utilizare

- Verificați ca aparatul să nu fie avariat. În cazul unor avarii, contactați imediat furnizorul dumneavoastră și NU utilizați aparatul.
- Scoateți ambalajul acestuia
- Curățați aparatul cu apă caldă și cu o cârpă moale.
- Poziționați aparatul pe o suprafață dreaptă și stabilă, doar dacă nu s-a menționat altfel.
- Asigurați-vă că este destul loc în jurul aparatului pentru ventilație.
- Poziționați aparatul în așa fel încât accesul la priză să fie permis tot timpul.



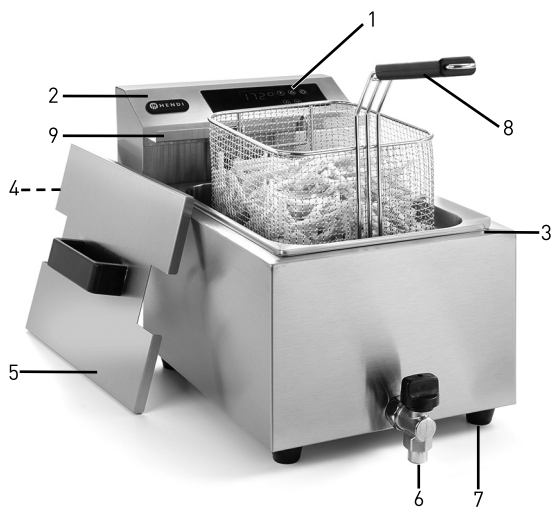
Instalare

- Poziționați aparatul, cu piciorușele de susținere din cauciuc, pe o suprafață orizontală, stabilă, curată, termorezistentă și uscată.
- Instalați cu grijă suportul posterior cu element de încălzire pe muchia din spate a recipientului pentru ulei.

Notă:

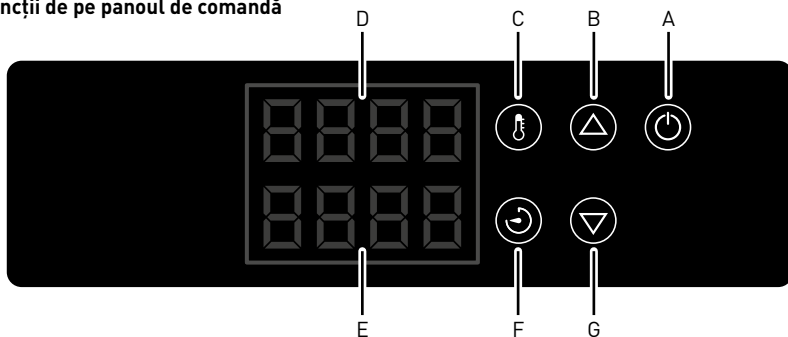
1. Asigurați-vă că știftul de pe suportul posterior se află în poziție corectă și este montat corespunzător.
2. Aparatul trebuie amplasat într-o poziție sigură în bucătăria dumneavoastră înainte de utilizare, din cauza conținutului fierbinte din timpul utilizării.

Principalele piese ale aparatului



1. Panou de comandă
2. Suport posterior detașabil cu element de încălzire
3. Unitatea de bază cu recipientul pentru ulei
4. Buton de RESETARE (la partea din spate și partea de jos a suportului posterior)
5. Capac
6. Robinet de scurgere a uleiului
7. Piciorare
8. Coș de prăjire cu mâner
9. Suport pentru coș de prăjire

Tastele funcții de pe panoul de comandă



A) Comutator PORNIT/OPRIT

B) Pictogramă Creștere (Pentru creșterea temperaturii și configurarea cronometrului)

C) Pictogramă TEMPERATURĂ

D) Afișaj superior

E) Afișaj inferior

F) Pictograma CRONOMETRU

G) Pictogramă Descreștere (Pentru scăderea temperaturii și configurarea cronometrului)

Utilizare

- Asigurați-vă că robinetul de scurgere a uleiului este închis.
- Deconectați ștecherul de la priză.
- Asigurați-vă că recipientul pentru ulei este curat, uscat, și nu conține apă.
- Umpleți cu grijă recipientul cu ulei între marcajul „L” (Min) și „H” (Max).
- Introduceți ștecherul împământat într-o priză cu împământare.
- Acum puteți folosi friteuza.

Prepararea

Dispozitivul de prajire este proiectat cu un sistem de racire unic care permite ca resturile și rezidurile să se depună. Acest lucru permite, de asemenea, reutilizarea uleiului/grasimii.

Verificați periodic dacă rezervorul conține o cantitate suficientă de ulei sau grăsime. Nivelul nu trebuie să fie niciodată sub marcajul „L” (Min).

Utilizare

1. Configurarea TEMPERATURII

- 1.1 Umpleți recipientul cu ulei și asigurați-vă că nivelul uleiului se află între marcajele „L” și „H”.
Notă: Țineți cont de faptul că introducerea alimentelor în ulei va crește nivelul acestuia. Nu introduceți alimente prea umede sau o cantitate prea mare de alimente în același timp.
- 1.2 Conectați ștecherul la o priză electrică adecvată.
- 1.3 Apăsați pictograma PORNIT/OPRIT pentru a porni aparatul. Pictograma CREȘTERE / DESCREȘTERE va clipi. Afișajul superior va afișa TEMPERATURĂ SETATĂ curentă. (Intervalul de TEMPERATURĂ: 25°C ~ 195°C).
- 1.4 Apăsați pictograma CREȘTERE sau DESCREȘTERE pentru a începe încălzirea. Afișajul superior va afișa TEMPERATURA CURENTĂ a uleiului. Pictograma TEMPERATURĂ va clipi constant.
- 1.5 Puteți de asemenea să apăsați pictograma TEMPERATURA pentru a vedea ultima TEMPERATURĂ SETATĂ timp de 1-2 secunde. În timpul acestei perioade, apăsați pictograma CREȘTERE sau DESCREȘTERE pentru a regla TEMPERATURA SETATĂ dacă doriți. Apăsați o dată pictograma CREȘTERE / DESCREȘTERE pentru +1,0°C / - 1,0°C. Apăsați și mențineți pentru reglaj rapid. După încetarea apăsării timp de 2-3 secunde, noua TEMPERATURĂ SETATĂ va fi memorată automat.



1.6 În timpul operațiunii de încălzire, pictograma TEMPERATURĂ va clipi constant până la atingerea TEMPERATURII SETATE. După ce se atinge TEMPERATURA SETATĂ, iluminarea pictogramei TEMPERATURĂ se va stinge și va menține temperatura într-un interval de ± 2 °C.

2. Configurarea CRONOMETRULUI

2.1 În timpul funcționării puteți activa funcția CRONOMETRU.

2.2 Apăsați și mențineți butonul CRONOMETRU timp de 2-3 secunde pentru a intra în modul de configurare CRONOMETRU. Pictograma CREȘTERE / DESCREȘTERE va clipi.

2.3 Apăsați apoi pictograma CREȘTERE sau DESCREȘTERE în interval de 1-2 secunde pentru a configura CRONOMETRUL. Apăsați o dată pentru +30 secunde / -30 secunde iar afișajul inferior va afișa durata configurată pentru CRONOMETRU. Apăsați și mențineți pictograma CREȘTERE sau DESCREȘTERE pentru reglaj rapid (Interval CRONOMETRU: 30 secunde ~ 20 minute).

2.4 CRONOMETRUL nou setat va fi înregistrat și va începe numărătoarea inversă în aproximativ 2-3 secunde.

1.7 După ce stingeți aparatul, se va afișa „OPRIT” pe afișajul superior și „Fierbinte” pe afișajul inferior.

2.5 La sfârșitul numărătorii inverse, va clipi continuu „Finalizare” pe afișajul inferior. Se vor auzi două sunete scurte cu durata de aproximativ 10 secunde într-o perioadă de 1 minut.

2.6 Apăsați butonul CRONOMETRU o dată pentru a reveni la ultima oră presetată. Apăsați din nou butonul CRONOMETRU pentru a intra în modul de configurare CRONOMETRU pentru modificarea orei. Pictograma CREȘTERE / DESCREȘTERE va clipi. CRONOMETRUL nou setat va fi înregistrat și va începe din nou numărătoarea inversă în aproximativ 2-3 secunde.

Atenție: Suportul pentru coșul de prăjire este proiectat pentru a conține doar temporar excesul de ulei deversat. Nu mențineți un timp îndelungat pentru a preveni căderea accidentală și vărsarea uleiului încins.

Funcția de calibrare

Această funcție permite utilizatorului calibrarea și reglajul „temperaturii afișate” pentru a se alinia cu „temperatura curentă”. Pentru măsurare este necesar un termometru calibrat cu sondă (nu este inclus).

- În timpul funcționării, apăsați și mențineți ambele butoane CREȘTERE și DESCREȘTERE timp de 5-6 secunde pentru a intra în „modul calibrare”.
- „Temperatura afișată” pe ecran va clipi apoi constant.

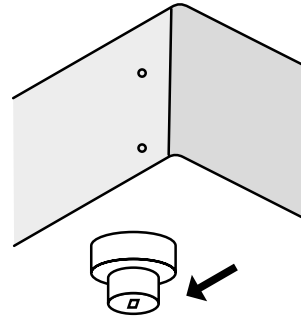
- Introduceți termometrul (nu este inclus în livrare) în interiorul recipientului pentru ulei și comparați. Aveți grijă deoarece uleiul este fierbinte.
- Odată ajuns la o citire stabilă, apăsați butonul CREȘTERE sau DESCREȘTERE pentru a alinia „temperatura afișată” cu citirea termometrului (nu este inclus în livrare).
- După aceea, apăsați pictograma TEMPERATURA pentru a confirma și finaliza calibrarea.

RESETAȚI siguranța (întrerupere termică)

De observat că butonul RESET este situat în partea de jos a suportului posterior detașabil și este acoperit cu un capac de protecție (Consultați desenul pentru a evita supraîncălzirea.)

- Mai întâi scoateți friteuza din priză.
- Lăsați friteuza să se răcească complet.
- Îndepărtați suportul posterior detașabil de pe suport.
- Deșurubați capacul de protecție al butonului RESET.
- Apăsăți butonul RESET al siguranța (întrerupere termică). Trebuie să se audă un clic.
- Înșurubați la loc capacul de protecție pe butonul RESET.

- Montați la loc suportul posterior detașabil pe suport.



Sfaturi pentru preparare

- Utilizați doar ulei lichid pentru prăjire (de preferat) sau untură.
- Temperatura recomandată pentru prăjirea chips-urilor și a gustărilor este de maxim 175°C.
- Încălziți uleiul treptat. Preferabil în 3 etape, de exemplu, mai întâi la 100°C, apoi la 100-140°C și ulterior la 140°C - 175°C, cu pauze între respectivele etape de câte 15 minute.
- Îndepărtați gheața sau alte resturi ale alimentelor congelate.
- Nu prăjiți o cantitate prea mare odată. Acest lucru poate cauza răcirea excesivă a uleiului sau a grăsimii. În uleiul răcit/grăsimia întărită alimen-

tele nu se prădesc în profunzime, acestea rămânând uleioase. Proporția ideală de alimente congelate pentru ulei/grăsimie este de maxim 1:10.

- Atunci când aparatul este folosit intensiv, uleiul trebuie filtrat pentru a elimina firimiturile și alte resturi.
- Înlocuiți uleiul sau grăsimia la timp. Folosiți periodic benzi sau echipament de testare, pentru a ști când trebuie să schimbați uleiul/grăsimia.
- Schimbați uleiul sau grăsimia când aceasta începe să facă spumă sau devine închisă la culoare sau lăptoasă. De asemenea, schimbați uleiul/grăsimia dacă are miros sau gust înțepător.

Grăsimi solide

- În cazul în care, contrar recomandărilor noastre, folosiți grăsimi solide: încălziți grăsimia solidă treptat, la cea mai mică temperatură, până ce aceasta se topește. Atunci când grăsimia este topită, puteți regla temperatura corespunzătoare pentru prăjire.
- La folosirea grăsimilor solide, permiteți bucăților de grăsime să se topească ușor, la temperatură

moderată, într-o tigaie normală. Turnați cu grijă grăsimia topită în rezervorul pentru ulei al friteuzei. Introduceți ștecherul în priză și porniți aparatul.

- Înlăturați coșul de prăjire din grăsime după utilizare, în caz contrar, acesta se poate bloca în grăsime întărită.

După utilizare

- Opriti aparatul și scoateți ștecherul din priză din perete.
- Îndepărtați coșul din recipientul pentru ulei. Aceasta previne blocarea coșului în untura solidificată.

- Așezați capacul pe aparat, pentru a prelungi durata de utilizare a grăsimii.



Curățarea și întreținerea

- Deconectați întotdeauna ștecherul din priză și permiteți răcirea completă înainte de a curăța aparatul.
- Atenție! Nu introduceți niciodată aparatul în apă sau în orice alt lichid!
- Curățați aparatul cu o cârpă umedă (apă cu detergent ușor).
- Nu utilizați niciodată agenți de curățare puternici sau corozivi. Nu folosiți obiecte ascuțite sau conținente. Nu folosiți petrol sau solvenți! Curățați cu o cârpă umedă și detergent dacă este necesar. Nu folosiți materiale abrazive.
- Nu curățați aparatul folosind aburi sau jet de apă.
- Asamblați aparatul după curățare și asigurați-vă că panoul de încălzire și comandă este montat corect, în caz contrar aparatul nu va funcționa.

Specificația tehnică

Articol nr.	207369	207376
Tensiune și frecvență de funcționare	230V~ 50Hz	
Puterea nominală de intrare	3500W	2 x 3500W
Capacitate	8L (cu robinet)	2 x 8L (cu robinet)
Clasa de protecție	Clasa I	
Clasa de protecție contra apei	IPX3	
Interval temporizator	30 secunde ~ 20 minute	
Intervalul de temperatură	25°C ~ 195°C	
Dimensiuni exterioare	300x515x(H)345mm	605x515x(H)345mm

RO

Remarks: Technical specification is subjected to change without prior notification.

Depanare

Dacă aparatul nu funcționează corespunzător, consultați tabelul de mai jos pentru a găsi soluția. Vă rugăm contactați distribuitorul/agentul de service în cazul în care problema nu poate fi rezolvată.

Defect	Problemă	Cauză posibilă	Soluție posibilă
Friteuza nu pornește	Indicator luminos portocaliu nu se aprinde	Nu există curent în sursă	Verificați instalația electrică Comutator defect
		Siguranța (întrerupere termică) decuplat	Reglați din nou siguranța (întrerupere termică) (A se vedea pagina 58)
		Siguranța (întrerupere termică) defect	Contactați furnizorul
		Termostat defect	Contactați furnizorul
Aparatul nu ajunge la temperatura necesară	Prăjire de lungă durată.	Termostat defect	Contactați furnizorul
		Dispozitiv defect	Contactați furnizorul

Dacă după aceste operații, defectul continuă, vă recomandăm să contactați asistența tehnică. In caz de neclaritati, intotdeauna contactati producatorul!



Garanție

Orice defecțiune care afectează funcționarea aparatului apărută la mai puțin de un an de la cumpărarea acestuia va fi remediată prin reparație sau înlocuire gratuită, cu condiția ca aparatul să fi fost folosit și întreținut conform instrucțiunilor nu să nu fi fost bruscat sau folosit necorespunzător în vreun fel. Drepturile dumneavoastră legale nu sunt afec-

tate. Dacă aparatul este în garanție, menționați când și de unde a fost cumpărat și includeți dovada cumpărării (de ex. chitanța).

Conform politicii noastre de dezvoltare continuă a produsului, ne rezervăm dreptul de a modifica produsul, ambalajul și documentația fără notificare.

Eliminarea și mediul înconjurător

La dezafectarea aparatului, produsul nu trebuie aruncat împreună cu alte deșeuri menajere. În schimb, este responsabilitatea dumneavoastră să eliminați echipamentul uzat prin predarea acestuia la un punct de colectare desemnat. Nerespectarea acestei reguli poate fi penalizată în conformitate cu reglementările aplicabile privind eliminarea deșeurilor. Colectarea separată și reciclarea echipamentului dumneavoastră uzat la momentul debarasării contribuie la conservarea resurselor na-

turale și asigură realizarea reciclării într-un mod care protejează sănătatea ființelor umane și a mediului. Pentru informații suplimentare privind modul în care puteți preda deșeurile dumneavoastră în scopul reciclării, vă rugăm să contactați compania locală de colectare a deșeurilor. Producătorii și importatorii nu își asumă responsabilitatea cu privire la reciclarea, tratarea și eliminarea ecologică a deșeurilor, fie direct, fie prin intermediul unui sistem public.




Большое Вам спасибо за то, что Вы купили оборудование фирмы Hendi. Вам следует внимательно прочитать настоящую инструкцию пользователя во избежание повреждения машины в результате неправильной эксплуатации. Особенно рекомендуем ознакомиться с предупреждениями.

Правила техники безопасности

- Неправильная эксплуатация и неподходящее использование агрегата может привести к его поломке и поранить оператора.
- Это оборудование предназначено только для коммерческого использования.
- Оборудование следует использовать точно по назначению. Производитель не несет ответственности за повреждения, вызванные неправильной эксплуатацией или неправильным обслуживанием оборудования.
- Оборудование и электрическую штепсельную вилку следует держать вдали от воды и прочих жидкостей. Если штепсельная вилка попадет в воду, ее следует тут же вытащить из розетки электропитания и обратиться в службу сертифицированного сервиса для проверки устройства. Несоблюдение данных указаний может повлечь за собой угрозу здоровью и жизни обслуживающего персонала.
- Нельзя снимать кожух без особого разрешения.
- Нельзя класть никаких посторонних предметов вовнутрь агрегата.
- Нельзя касаться мокрыми, или влажными руками штепсельной вилки.
-  **Опасность поражения током!** Не следует самостоятельно чинить электроаппаратуру. Любые поломки и неисправности должны устраняться квалифицированным персоналом.
- **Никогда не следует пользоваться поврежденной электроаппаратурой.** Поврежденное устройство нужно отсоединить от электросети и обратиться к продавцу.
- **Предупреждение:** не следует погружать электрических деталей в воду, или иные жидкости. Не омыwać в струе воды.
- Регулярно проверять вилку и провод электропитания на предмет повреждений. Поврежденные вилку или провод передать для ремонта в сервисную точку, или обратиться к квалифицированному электрику во имя предотвращения опасности травм.
- Удостовериться, что провод электропитания не касается острых и горячих предметов; держать электропровод вдали от открытого огня. Для того, чтобы вынуть вилку из розетки всегда нужно тянуть за вилку, а не за электропровод.
- Защитить провод электропитания (удлинитель) от случайного выпадения из розетки. Электропровод прокладывать так, чтобы случайно не зацепиться за него.
- Непрестанно наблюдать за работающей электроаппаратурой.
- **Предупреждение!** Если вилка находится в розетке – это означает, что электроаппаратура считается подключенной к электропитанию.
- Перед тем, как вынуть вилку из розетки, электроаппаратуру следует выключить!
- Никогда нельзя переносить, передвигать электроаппаратуру держа за электропровод.

- Не использовать никаких деталей, аксессуаров, которые не поставляются вместе с этой электроаппаратурой.
- Электроаппаратуру следует подключать исключительно к розетке, в которой имеется напряжение и частота, указанную на щитке электроаппаратуры.
- Вилку следует вставлять в розетку, расположенную в удобном и легкодоступном месте, так чтобы в случае аварии можно бы ее немедленно вынуть. Для полного обесточивания электроаппаратуры ее следует отсоединить от электропитания; для этого следует вынуть вилку, находящуюся на конце провода электропитания, из розетки.
- Перед тем, как вынуть вилку всегда следует помнить о том, чтобы сначала выключить электроаппаратуру!
- Не следует использовать детали, аксессуары, не рекомендуемые производителем данной электроаппаратуры, т.к. использование таких деталей, аксессуаров может создать для пользователя угрозу его здоровью и жизни, а также может привести к поломке электроаппаратуры. Следует всего использовать оригинальные детали, аксессуары.
- Без надлежащего контроля или предварительного обучения эксплуатации оборудования проводимого лицом, отвечающим за безопасную эксплуатацию, оборудованием не могут пользоваться ни дети, ни лица с ограниченными физическими, или психическими возможностями, ни лица, которые не обладают необходимым опытом работы и знаниями в данной области.
- Ни в коем случае нельзя допускать к использованию электроаппаратуры детей.
- Электроаппаратуру следует хранить в месте недоступном для детей.
- Нельзя разрешать детям использовать электроаппаратуру в качестве игрушки.
- Всегда электроаппаратуру следует отсоединить от электропитания, если оставляем ее без надзора, перед монтажом, демонтажем и чисткой.
- Нельзя оставлять работающую электроаппаратуру без надзора.

Подробные указания по безопасности

-  **Осторожно! Горячая поверхность!** Температура доступных поверхностей устройства во время использования очень высокая. Прикасайтесь только к кнопкам панели управления.
- Если устройство будет располагаться рядом со стенкой, перегородками, кухонной мебелью, декоративной отделкой и т.п., рекомендуется, чтобы они были покрыты невоспламеняющимися материалами; если это невозможно, накройте такие поверхности подходящим негорючим теплоизоляционным материалом и соблюдайте правила пожарной безопасности.
- Не размещайте устройство на объекте, который излучает тепло (газовая или электрическая плита, гриль и т.п.). Держите устройство подальше от любых горячих поверхностей или открытого пламени. Поместите устройство на ровную, стабильную, чистую и сухую поверхность, устойчивую к высоким температурам.
- Не используйте устройство вблизи взрывчатых или легковоспламеняющихся материалов, платежных карт, магнитных дисков или радиоприемников.



- Устройство не приспособлено для управления с помощью внешнего таймера или отдельной системы дистанционного управления.
- **ПРЕДУПРЕЖДЕНИЕ:** Если уровень масла в контейнере ниже отметки L (минимальный уровень) или если контейнер пуст, существует опасность пожара.
- **ПРЕДУПРЕЖДЕНИЕ:** Не обжаривайте пищевые продукты, содержащие много воды, чтобы предотвратить вспенивание и разбрызгивание масла. В жарочной ванне можно поместить максимально 1 кг пищевых продуктов.
- Обеспечьте по крайней мере 20-сантиметровое пространство вокруг устройства, чтобы обеспечить достаточную вентиляцию во время использования.
- Используйте только масло, предназначенное для жарки. Регулярно меняйте масло или жир в контейнере. Старое или грязное масло может загореться при нагревании до слишком высокой температуры.
- Не используйте пластиковые столовые приборы во время работы устройства.
- **Опасность!** Никогда не используйте старое масло, потому что оно имеет более низкую температуру вспышки и более восприимчиво к внезапному кипению, что увеличивает риск пожара или опасной ситуации.
- **Предупреждение!** Размещение пищи со слишком высоким содержанием воды или в слишком большом количестве влияет на скорость достижения температуры кипения масла.
- По соображениям безопасности, никогда во время жарки не вставляйте слишком большой порции пищи (максимальная партия – это прим. 2 кг).
- Устройство и его аксессуары мойте после каждого использования (-->Очистка и обслуживание)
- Не мойте устройство с помощью струи воды под давлением или пароочистителя, не промывайте устройство водой, так как это может привести к увлажнению или проникновению воды во внутренние части устройства, что приведет к поражению электрическим током.
- **Внимание!** Правильно подключите и закрепите шнур питания для предотвращения случайного вытягивания или контакта с нагретой поверхностью.
- Не мойте устройство водой. Мытье устройства может привести к попаданию воды в электрические детали и привести к поражению электрическим током.
- Не чистите и не помещайте устройство в место хранения, пока оно полностью не остынет.
- Детали устройства нельзя мыть в посудомоечной машине.
- Перед чисткой или заполнением устройства выньте вилку из розетки.
- Электроустановка должна соответствовать соответствующим национальным и местным требованиям.
- Убедитесь, что контейнер для масла и нагревательный элемент помещены в безопасное место на кухне из-за высокой температуры устройства во время работы.

Назначение устройства

- Это оборудование предназначено для профессионального использования и может эксплуатироваться только квалифицированным персоналом.
- Устройство предназначено для коммерческого использования и используется для жарки определенных продуктов, в том числе картофеля фри и т. п. Использование устройства для

любых других целей может привести к повреждению или травме тела.

- Использование устройства для любых других целей будет рассматриваться, как использование не по назначению. Пользователь будет нести исключительную ответственность за неправильное использование устройства.

Монтаж заземления

Миксер является устройством I класса защиты и должен быть заземлен. Заземление снижает риск поражения электрическим током за счет использования отводящего провода. Устройство

оснащено проводом заземления с заземляющей вилкой. Вилка должна быть подключена к розетке переменного тока, которая надлежащим образом установлена и заземлена.

Подготовка перед первым использованием

- Убедитесь, что устройство не повреждено. В случае возникновения каких-либо повреждений, немедленно обратитесь к поставщику и НЕ используйте устройство.
- Снимите упаковку и защитную пленку (если имеются).
- Очистите устройство теплой водой и мягкой тканью.

- Если не указано иное, установите устройство на ровную и устойчивую поверхность.
- Обеспечьте достаточное пространство вокруг устройства для обеспечения его вентиляции.
- Установите устройство так, чтобы всегда иметь хороший доступ к вилке.

Установка

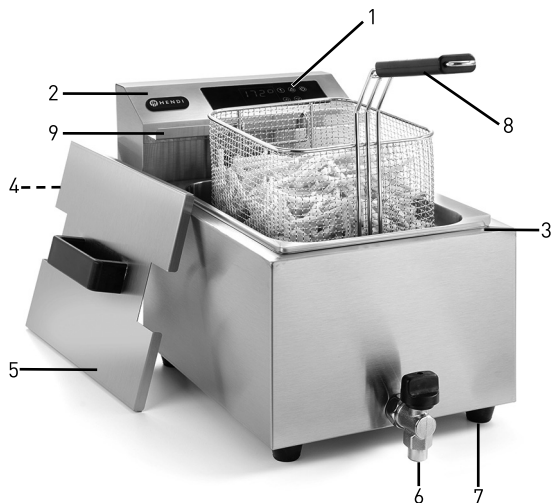
- Устройство оснащено резиновыми ножками. Устройство должно быть размещено на ровной, стабильной, чистой и сухой поверхности, устойчивой к высоким температурам.
- Осторожно прикрепите задний опорный кронштейн устройства с нагревательным элементом на задней части контейнера для масла

Примечание:

1. Убедитесь, что штифт на задней панели устройства надежно закреплен.
2. Перед началом работы убедитесь, что контейнер для масла и нагревательный элемент установлены в кухне в надежном месте из-за высокой температуры устройства во время работы.



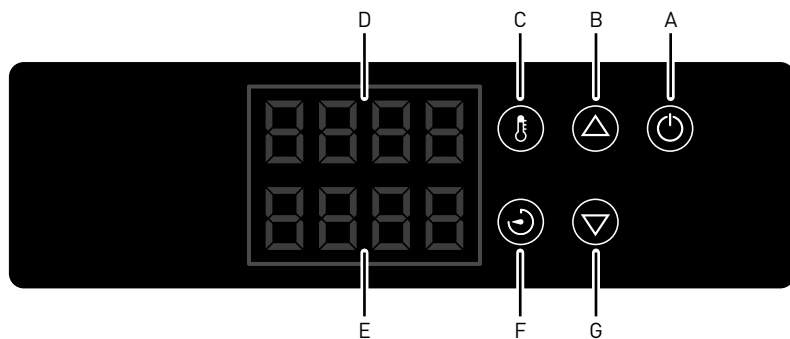
Основные части устройства



- 1. Панель управления
- 2. Съемный задний кронштейн устройства с нагревательным элементом
- 3. Основной блок с контейнером для масла
- 4. Кнопка RESET (в задней нижней части заднего кронштейна)
- 5. Крышка
- 6. Кран для слива масла
- 7. Ножки
- 8. Корзина для картофеля фри с ручкой
- 9. Планка, поддерживающая корзину

RU

Панель управления



- A) Переключатель ON/OFF
- B) Кнопка увеличения значения (температуры & таймера)
- C) Кнопка ТЕМПЕРАТУРЫ
- D) Верхний дисплей
- E) Нижний дисплей
- F) Кнопка ТАЙМЕРА
- G) Кнопка уменьшения значения (температуры & таймера)



Эксплуатация

- Убедитесь, что кран для слива масла закрыт.
- Выньте вилку из розетки.
- Убедитесь, что контейнер для масла чистый и внутри нет воды.
- Осторожно заполните контейнер маслом - уровень масла должен находиться между отметками L (минимальным) и H (максимальным).
- Вставьте заземленную вилку в заземленную электрическую розетку.
- Вы можете начать жарить.

Жарка во фритюре

Фритюрница оснащена уникальной системой «холодной зоны», которая позволяет отпадать крошкам и остаткам после жарки на дно емкости, что позволяет значительно повысить эффективность жира/масла.

Регулярно проверяйте достаточно ли масла или жира в емкости. Уровень жира никогда не может быть ниже уровня, отмеченного как L (минимальным).

Обслуживание

1. Установка ТЕМПЕРАТУРЫ

- 1.1 Заполните контейнер маслом и убедитесь, что уровень масла находится между отметками L и H. Следует помнить, что помещение продуктов питания в масле увеличит его уровень. Не помещайте в контейнер мокрые пищевые продукты или одновременно в большом количестве.
- 1.2 Подключите вилку к подходящей электрической розетке.
- 1.3 Нажмите кнопку „ON/OFF” - кнопка будет подсвечена. Кнопки УВЕЛИЧЕНИЯ и УМЕНЬШЕНИЯ значения начнут мигать. На верхнем дисплее отобразится текущая заданная температура. (Диапазон температуры: 25 °C ~ 195 °C).
- 1.4 Нажмите кнопку УВЕЛИЧЕНИЯ или УМЕНЬШЕНИЯ значения, чтобы начался процесс нагрева. На верхнем дисплее отобразится ТЕКУЩАЯ ТЕМПЕРАТУРА масла. Кнопка ТЕМПЕРАТУРЫ будет постоянно мигать.
- 1.5 Вы также можете выбрать кнопку ТЕМПЕРАТУРЫ для отображения последней ЗАДАН-

НОЙ ТЕМПЕРАТУРЫ на 1-2 секунды. Одновременно нажмите кнопку УВЕЛИЧЕНИЯ или УМЕНЬШЕНИЯ температуры, чтобы изменить ЗАДАННУЮ ТЕМПЕРАТУРУ при необходимости. Нажмите кнопку УВЕЛИЧЕНИЯ или УМЕНЬШЕНИЯ температуры еще раз, чтобы увеличить/уменьшить температуру на 1 °C. Нажмите и удерживайте кнопку, чтобы быстрее изменить заданное значение. После отпущения кнопки, НОВАЯ ТЕМПЕРАТУРА будет автоматически установлена примерно через 2-3 секунды

- 1.6 Во время нагрева кнопка ТЕМПЕРАТУРЫ будет мигать пока масло не достигнет ЗАДАННОЙ ТЕМПЕРАТУРЫ. После достижения ЗАДАННОЙ ТЕМПЕРАТУРЫ, кнопка ТЕМПЕРАТУРЫ погаснет и устройство будет поддерживать ЗАДАННУЮ ТЕМПЕРАТУРУ (± 2 °C).
- 1.7 После выключения устройства, в верхней строке дисплея отобразится сообщение „oFF”, а в нижней строке дисплея отобразится - „Hot”.

2. Установка ТАЙМЕРА

- 2.1 Во время работы устройства можно установить функцию ТАЙМЕРА.
- 2.2 Нажмите и удерживайте кнопку ТАЙМЕРА в течение 2-3 секунд для входа в режим настройки ТАЙМЕРА. Кнопки УВЕЛИЧЕНИЯ и УМЕНЬШЕНИЯ начнут мигать.
- 2.3 В течение 1-2 секунд нажмите кнопку УВЕЛИЧЕНИЯ или УМЕНЬШЕНИЯ значения, чтобы

установить время ТАЙМЕРА. Одно нажатие кнопки изменяет заданное значение на 30 секунд - в нижней строке дисплея будет отображаться текущее время установки ТАЙМЕРА. Нажмите и удерживайте кнопку УВЕЛИЧЕНИЯ или УМЕНЬШЕНИЯ значения, чтобы быстрее установить требуемые значения (диапазон ТАЙМЕРА: 30 секунд - 20 минут).



- 2.4 Заново установленное время ТАЙМЕРА будет сохранено и через 2-3 секунды начнется обратный отсчет.
- 2.5 После завершения обратного отсчета в нижней строке дисплея отобразится сообщение „End“. Два коротких звуковых сигнала будут звучать около 1 минуты (длительностью до 10 секунд).
- 2.6 Нажмите один раз кнопку ТАЙМЕР, чтобы вернуться к последнему установленному времени. Нажмите кнопку ТАЙМЕР еще раз, чтобы войти в режим настройки ТАЙМЕРА и

изменить установленное время. Кнопки УВЕЛИЧЕНИЯ и УМЕНЬШЕНИЯ начнут мигать. Заново установленное время ТАЙМЕРА будет сохранено и через 2-3 секунды начнется обратный отсчет.

Примечание: Планка, поддерживающая корзину, используется для временной поддержки корзины при сливе избыточного масла. Не опирайте корзину в течение длительного времени, чтобы предотвратить её возможное падение или разлив горячего масла.

Калибровка

Эта функция позволяет пользователю откалибровать и установить „отображаемую температуру“, чтобы она была такая же, как „текущая температура“. Для проведения измерений необходим термометр с зондом (не поставляется с устройством).

- Во время работы устройства, нажмите и удерживайте обе кнопки УВЕЛИЧЕНИЯ или УМЕНЬШЕНИЯ значения в течение 5-6 секунд, чтобы начался „режим калибровки“.
- „Отображаемая температура“ на дисплее начнет мигать.

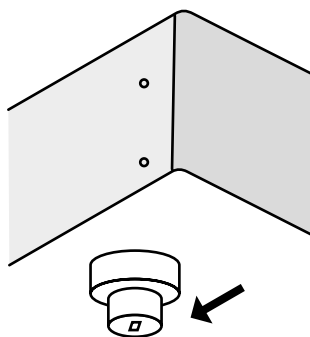
- Поместите термометр (не поставляется с устройством) в контейнер для масла, чтобы сравнить результаты. Будьте осторожны: масло в контейнере очень горячее.
- При помощи кнопок УВЕЛИЧЕНИЯ или УМЕНЬШЕНИЯ значения, измените «отображаемую температуру» в соответствии с показаниями, полученными с помощью термометра (не поставляемого с устройством).
- По завершении калибровки нажмите кнопку ТЕМПЕРАТУРЫ для подтверждения.

RESET теплового предохранителя (защита от перегрева)

Обратите внимание, что кнопка RESET, которая является защитой от перегрева, располагается в нижней части съемного заднего кронштейна и защищена колпачком (смотрите на рисунок).

- Сначала, отключите устройство от источника питания, вынимая вилку из розетки.
- Оставьте устройство до полного охлаждения.
- Отсоедините съемный задний кронштейн от основного блока.
- Открутите чёрный защитный колпачок кнопки RESET.
- Нажмите кнопку RESET ограничителя (термовыключателя). Услышите щелчок.
- Прикрутите заново чёрный защитный колпачок кнопки RESET.

- Установите заново съемный задний кронштейн к основному блоку.



Советы по обжариванию во фритюре

- Используйте жидкое масло (рекомендуется) или жир для жарки.
- Рекомендуемая температура для жарки картофеля фри и закусок составляет максимум 175°C.
- Подогревайте жир медленно. Лучше всего подогревать жир в три этапа, сначала до 100°C, потом от 100-140°C, а затем от 140°C до 175°C с 15-минутными интервалами между каждым шагом.
- Удаляйте лед и крошки из замороженных продуктов.
- Не жарить во фритюре слишком большие порции. Это может привести к падению температуры масла или жира. Охлажденное масло/жир не обжарит нужным образом поверхность,

что приводит к увеличению поглощения жира. Идеальная пропорция замороженных продуктов в масле/жире для жарки во фритюре это максимум 1:10.

- В случае интенсивного использования нужно фильтровать крошки и отработанное масло/жир.
- В нужное время следует поменять масло или жир в устройстве. Чтобы узнать, когда менять масло/жир, регулярно используйте тест-полоски или устройство для тестирования.
- Если масло или жир начинает пениться, дымить или становится слишком липким, нужно поменять масло или жир. Замените масло/жир, когда имеет резкий запах или вкус.

Твердый жир

- Если вы используете твердый жир, несмотря на рекомендацию: медленно нагревайте жир до растопления. После растопления жира, можете установить желаемую температуру жаренья.
- Если вы используете твердый жир подождите, когда куски жира медленно начнут таять на

обычной сковородке, на среднем огне. Аккуратно перелейте растопленный жир во фритюрницу. Вставьте вилку и включите фритюрницу.

- После использования снимите корзину для фритюра. В результате, корзина не застынет в загущенном жире.

После использования

- Выключите устройство, и отсоедините кабель от розетки.
- Выньте корзину из контейнера для масла. Благодаря этому, корзина не застынет в загущенном жире.

- Накройте фритюрницу крышкой, для предотвращения старения масла.

Чистка и обслуживание

- Перед чисткой всегда отключайте устройства от электросети и дайте ему полностью остыть .
- Примечание: Помните, что устройство нельзя погружать в воду или любую другую жидкость!
- Очистите снаружи тканью используйте раствор воды и мягкого моющего средства].
- Никогда не используйте абразивные чистящие средства или абразивные материалы. Не используйте острые или остро заточенные предметы. Не используйте бензин или рас-

творители! Протирайте влажной тканью или жидкостью для мытья посуды. Не используйте абразивные материалы.

- Не чистите устройство парочистителем или струей воды.
- После чистки устройство нужно повторно собрать убедившись, что контрольная панель (панель отопления) установлена правильно – в противном случае устройство не будет работать должным образом.



Техническая характеристика

№ продукта	207369	207376
Рабочее напряжение и частота	230В~ 50Гц	
Потребляемая мощность	3500Вт	2 x 3500Вт
Ёмкость	8L (с клапаном)	2 x 8L (с клапаном)
Степень защиты	I Класс	
Класс влагозащиты	IPX3	
Диапазон времени таймера	30 секунд ~ 20 минут	
Диапазон температуры	25°C ~ 195°C	
Внешние размеры	300x515x (выс.)345mm	605x515x (выс.)345mm

Внимание: Техническая характеристика может быть изменена без предварительного уведомления.

Поиск и устранение неисправностей

Если устройство не работает должным образом, обратитесь к приведенной ниже таблице, чтобы найти правильное решение. Если вы не можете решить проблему, обратитесь к поставщику.

Неисправность	Признак	Причина	Возможное решение
Устройство вообще не реагирует	Не горит оранжевая лампочка	Отсутствие электропитания	Проверьте электроустановку. Неисправность лампочки.
		Включилась система ограничителя (термовыключателя)	Сброс ограничителя (термовыключателя)(См. Стр. 67)
		Авария системы ограничителя (термовыключателя)	Обратитесь к поставщику
		Авария термостата	Обратитесь к поставщику
Устройство не нагревается до желаемой температуры	Долгое время жаренья	Авария термостата	Обратитесь к поставщику
		Авария нагревателя	Обратитесь к поставщику

Если после вышеперечисленных проверок неисправность не устранена, рекомендуем обратиться к поставщику.

В случаи сомнений, всегда обращайтесь к своему поставщику!

Гарантия

Любая недоделка или поломка, которая влечет за собой неправильную работу устройства, которая будет выявлена в течение первого года от даты покупки, будет устранена бесплатно, или же все устройство будет заменено новым, если оно эксплуатировалось и обслуживалось согласно инструкции по обслуживанию и не использовалось неправильно, или в разрез с назначением. Данное положение ни коей мере не нарушает иных прав потребителя, изложенных в законо-

дательстве. В случае заявления устройства в ремонт или на замену в рамках гарантии, следует указать место и дату покупки устройства и приложить счет, или чековую квитанцию.

Согласно нашей политике совершенствования наших продуктов оставляем за собой право на ввод изменений в конструкцию, упаковку и в технические параметры, указываемые в технической документации без предупреждения.



Утилизация и защита окружающей среды


В случае вывода оборудования из эксплуатации, продукт нельзя утилизировать вместе с другими бытовыми отходами. Пользователь несет ответственность за передачу оборудования в соответствующий пункт приёма техники бывшей в употреблении. Несоблюдение вышеуказанного положения может привести к наложению штрафов в соответствии с действующими правилами в отношении утилизации отходов. Селективный сбор и утилизация использованного оборудования способствуют сохранению природных

ресурсов и обеспечивают рециркуляцию таким образом, который не вреден для здоровья и окружающей среды. Для получения дополнительной информации о том, где можно отдать использованное оборудование для утилизации, обратитесь в местную компанию по сбору отходов. Производитель и импортер не несут ответственности за рециркуляцию и переработку отходов экологически безопасным способом, как непосредственно, так и в рамках государственной системы.



Ευχαριστούμε που αγοράσατε αυτό το προϊόν HENDI. Διαβάστε προσεκτικά το παρόν εγχειρίδιο πριν συνδέσετε τη συσκευή, προκειμένου να προλάβετε πιθανή βλάβη που μπορεί να οφείλεται σε λανθασμένη χρήση. Διαβάστε ιδίως τους κανονισμούς ασφαλείας πολύ προσεκτικά.


Κανονισμοί ασφαλείας

- Η συσκευή προορίζεται μόνο για επαγγελματική χρήση.
- Η συσκευή πρέπει να χρησιμοποιείται μόνο για τον σκοπό για τον οποίο προορίζεται και σχεδιάστηκε. Ο κατασκευαστής δεν ευθύνεται για τυχόν ζημιές που προκλήθηκαν από εσφαλμένη λειτουργία και ακατάλληλη χρήση.
- Κρατήστε τη συσκευή και το βύσμα μακριά από νερό και άλλα υγρά. Σε περίπτωση που η συσκευή πέσει μέσα σε νερό, αφαιρέστε αμέσως το βύσμα από την πρίζα και μην τη χρησιμοποιήσετε μέχρι να ελεγχθεί η συσκευή από πιστοποιημένο τεχνικό. Η μη τήρηση των οδηγιών ενδέχεται να προκαλέσει κίνδυνο προς τη ζωή.
- Μην επιχειρήσετε ποτέ να ανοίξετε μόνοι σας το περίβλημα της συσκευής.
- Μην τοποθετείτε αντικείμενα στο περίβλημα της συσκευής.
- Μην αγγίζετε το βύσμα με υγρά χέρια.
-  **Κίνδυνος ηλεκτροπληξίας!** Μην επιχειρήσετε να επισκευάσετε μόνοι σας τη συσκευή. Σε περίπτωση δυσλειτουργίας, οι επισκευές πρέπει να διενεργούνται μόνο από εξειδικευμένο προσωπικό.
- **Μην χρησιμοποιείτε ποτέ συσκευή με βλάβη!** Σε περίπτωση βλάβης, αποσυνδέστε τη συσκευή από την πρίζα και επικοινωνήστε με τον πωλητή.
- **Προειδοποίηση!** Μην βυθίζετε τα ηλεκτρικά μέρη της συσκευής σε νερό ή άλλα υγρά. Μην βάζετε ποτέ τη συσκευή κάτω από τρεχούμενο νερό.
- Ελέγχετε τακτικά το βύσμα και το καλώδιο τροφοδοσίας για τυχόν ζημιές. Εάν το βύσμα ή το καλώδιο τροφοδοσίας είναι κατεστραμμένο, πρέπει να αντικατασταθεί από τεχνικό σέρβις ή εξειδικευμένα άτομα για την αποφυγή τυχόν κινδύνου ή τραυματισμού.
- Βεβαιωθείτε ότι το καλώδιο δεν έρχεται σε επαφή με αιχμηρά ή θερμά αντικείμενα και κρατήστε το μακριά από φωτιά. Για να βγάλετε το βύσμα από την πρίζα, να τραβάτε πάντα το βύσμα και όχι το καλώδιο.
- Βεβαιωθείτε ότι το καλώδιο (ή το καλώδιο επέκτασης) είναι τοποθετημένο έτσι ώστε να μην προκαλέσει κίνδυνο εκτροπής.
- Να προσέχετε πάντα τη συσκευή κατά τη χρήση.
- **Προειδοποίηση!** Όσο το βύσμα είναι στην πρίζα, η συσκευή είναι συνδεδεμένη στην πηγή τροφοδοσίας.
- Απενεργοποιήστε τη συσκευή πριν τραβήξετε το βύσμα από την πρίζα.
- Ποτέ μην μεταφέρετε τη συσκευή από το καλώδιο.
- Μην χρησιμοποιείτε συσκευές που δεν παρέχονται μαζί με τη συσκευή.
- Συνδέστε τη συσκευή μόνο σε ηλεκτρική πρίζα με τάση και συχνότητα που αναφέρονται στην ετικέτα της συσκευής.
- Συνδέστε το βύσμα σε μια εύκολα προσβάσιμη ηλεκτρική πρίζα έτσι ώστε σε περίπτωση

έκτακτης ανάγκης η συσκευή να μπορεί να αποσυνδεθεί αμέσως. Για να απενεργοποιήσετε πλήρως τη συσκευή, βγάλτε το βύσμα από την πρίζα.

- Απενεργοποιείτε πάντα τη συσκευή πριν αποσυνδέσετε το βύσμα.
- Μην χρησιμοποιείτε ποτέ εξαρτήματα διαφορετικά από αυτά που συνιστώνται από τον κατασκευαστή. Σε αντίθετη περίπτωση, μπορεί να δημιουργηθεί κίνδυνος για τον χρήστη και να προκληθεί ζημιά στη συσκευή. Χρησιμοποιείτε μόνο αυθεντικά εξαρτήματα και αξεσουάρ.
- Αυτή η συσκευή δεν προορίζεται για χρήση από άτομα (συμπεριλαμβανομένων παιδιών) με μειωμένες σωματικές, αισθητήριες ή διανοητικές ικανότητες ή με έλλειψη πείρας και γνώσης.
- Αυτή η συσκευή δεν πρέπει, σε καμία περίπτωση, να χρησιμοποιείται από παιδιά.
- Κρατήστε τη συσκευή και το καλώδιο μακριά από παιδιά.
- Να αποσυνδέετε πάντα τη συσκευή από το ρεύμα εάν αφήνεται χωρίς επιτήρηση ή δεν χρησιμοποιείται και πριν από εργασίες συναρμολόγησης, αποσυναρμολόγησης ή καθαρισμού.
- Μην αφήνετε ποτέ τη συσκευή χωρίς επιτήρηση ενώ βρίσκεται σε λειτουργία.

Ειδικές προφυλάξεις ασφαλείας

-  **Προσοχή! Καυτή επιφάνεια!** Η θερμοκρασία της εξωτερικής επιφάνειας είναι υψηλή κατά τη λειτουργία της συσκευής. Αγγίζετε μόνο τα εικονίδια στον πίνακα ελέγχου.
- Όταν η συσκευή τοποθετηθεί κοντά σε τοίχο, χωρίσματα, έπιπλα κουζίνας, διακοσμητικά φινιρίσματα κλπ, προτείνεται τα αντικείμενα αυτά να μην είναι κατασκευασμένα από εύφλεκτα υλικά. Διαφορετικά, θα πρέπει να επενδυθούν με κατάλληλο μη εύφλεκτο θερμομονωτικό υλικό και να τηρούνται αυστηρά οι κανονισμοί πυροπροστασίας.
- Μην τοποθετείτε τη συσκευή επάνω σε αντικείμενα θέρμανσης (βενζίνης, ηλεκτρικό, φούρνο με κάρβουνα κλπ). Διατηρείτε τη συσκευή μακριά από θερμές επιφάνειες και ανοικτές φλόγες. Χρησιμοποιείτε πάντα τη συσκευή σε επίπεδη, σταθερή, καθαρή, στεγνή και ανθεκτική στη θερμότητα επιφάνεια.
- Μην χρησιμοποιείτε τη συσκευή κοντά σε εκρηκτικά ή εύφλεκτα υλικά, πιστωτικές κάρτες, μαγνητικούς δίσκους ή ραδιόφωνα.
- Η συσκευή δεν προορίζεται για λειτουργία μέσω εξωτερικού χρονοδιακόπτη ή ξεχωριστού συστήματος τηλεχειρισμού.
- **ΠΡΟΕΙΔΟΠΟΙΗΣΗ:** Υπάρχει κίνδυνος πυρκαγιάς αν η στάθμη του λαδιού είναι κάτω από την ένδειξη "L" (ελάχιστη στάθμη) ή εάν δεν υπάρχει καθόλου λάδι στον κάδο λαδιού.
- **ΠΡΟΕΙΔΟΠΟΙΗΣΗ:** Μην τηγανίζετε υπερβολικά υγρά υλικά ή μεγάλη ποσότητα υλικών ταυτόχρονα, για να αποφύγετε τυχόν φούσκωμα και υπερχειλίση του λαδιού. Το μέγιστο φορτίο δεν θα πρέπει να υπερβαίνει κατά πολύ το 1 κιλό.
- Αφήστε τουλάχιστον 20 cm ελεύθερο χώρο γύρω από τη συσκευή για λόγους αερισμού κατά τη χρήση.
- Χρησιμοποιείτε μόνο κατάλληλο για το τηγάνισμα λάδι ή λίπος. Αντικαταστήστε το λάδι ή το λίπος ανά τακτά χρονικά διαστήματα. Εάν το λάδι ή το λίπος έχει χρησιμοποιηθεί πολύ, μπορεί να αναφλεγεί αν υπερθερμανθεί."
- Μην βυθίζετε πλαστικά σκεύη μέσα στο ζεστό λάδι ή λίπος.



- **Κίνδυνος!** Μην ξαναχρησιμοποιείτε πολλές φορές το ίδιο λάδι, καθώς έχει μειωμένο σημείο ανάφλεξης και είναι περισσότερο επιρρεπές να φουσκώσει, αυξάνοντας τον κίνδυνο φωτιάς και επικίνδυνων καταστάσεων.
- **Προειδοποίηση!** Το τηγάνισμα τροφών με υγρασία και σε μεγάλη ποσότητα μονομιάς έχει αρνητική επίδραση στο σημείο βρασμού του λαδιού.
- **Προειδοποίηση!** Μην τηγανίζετε μεγάλη ποσότητα φαγητού μονομιάς, μέγιστο φορτίο είναι περίπου 2 κιλά.
- Να καθαρίζετε πάντα τη συσκευή και τα λοιπά εξαρτήματα μετά από κάθε χρήση (-> Καθαρισμός και συντήρηση)
- Μην χρησιμοποιείτε πίδακες νερού και μην ξεπλένετε άμεσα με νερό ή συσκευές καθαρισμού με ατμό, καθώς τα εξαρτήματα θα βραχούν και μπορεί να προκληθεί ηλεκτροπληξία.
- **Προσοχή!** Στερεώστε, εάν είναι απαραίτητο, το καλώδιο τροφοδοσίας για να αποφύγετε τυχόν ακούσιο τράβηγμα ή επαφή με την επιφάνεια θέρμανσης.
- Μην πλένετε τη συσκευή με νερό. Το πλύσιμο μπορεί να προκαλέσει διαρροές και να αυξήσει τον κίνδυνο ηλεκτροπληξίας.
- Μην καθαρίζετε ή αποθηκεύετε τη συσκευή εάν δεν έχει κρυώσει πλήρως.
- Κανένα μέρος της συσκευής δεν είναι κατάλληλο για πλυντήριο πιάτων.
- Πριν από την πλήρωση ή τον καθαρισμό της φριτέζας, βγάzte πάντα το βύσμα από την πρίζα.
- Η ηλεκτρική εγκατάσταση πρέπει να συμμορφώνεται με τους ισχύοντες εθνικούς και τοπικούς κανονισμούς.
- Η φριτέζα πρέπει να τοποθετηθεί σε ασφαλή θέση στην κουζίνα σας πριν από την χρήση της λόγω του καυτού περιεχομένου κατά τη χρήση.

Προβλεπόμενη χρήση

- Η συσκευή ενδείκνυται για επαγγελματική χρήση και μπορεί να την χειρίζεται μόνο εξειδικευμένο προσωπικό.
- Η συσκευή έχει σχεδιαστεί μόνο για τηγάνισμα τροφίμων όπως τηγανιτές πατάτες κ.λπ. Οποιαδήποτε άλλη χρήση μπορεί να προκαλέσει ζημιά στη συσκευή ή τραυματισμό.
- Η χρήση της συσκευής για οποιοδήποτε άλλο σκοπό θεωρείται εσφαλμένη. Ο χρήστης είναι αποκλειστικά υπεύθυνος για την μη κατάλληλη χρήση της συσκευής.

Γείωση

Αυτή η συσκευή ταξινομείται στην κλάση προστασίας Ι και πρέπει να συνδέεται με γείωση προστασίας. Η γείωση μειώνει τον κίνδυνο ηλεκτροπληξίας παρέχοντας ένα καλώδιο διαφυγής για το ηλεκτρικό ρεύμα.

Αυτή η συσκευή είναι εξοπλισμένη με καλώδιο που φέρει καλώδιο γείωσης με βύσμα γείωσης. Το βύσμα πρέπει να είναι συνδεδεμένο σε σωστά τοποθετημένη και γεωμένη πρίζα.

Προετοιμασία πριν από την πρώτη χρήση

- Βεβαιωθείτε ότι η συσκευή δεν φέρει ζημιές. Σε περίπτωση ζημιάς, επικοινωνήστε αμέσως με τον προμηθευτή σας και ΜΗΝ χρησιμοποιήσετε τη συσκευή.
- Αφαιρέστε όλο το υλικό συσκευασίας και την προστατευτική μεμβράνη (αν υπάρχει).
- Καθαρίστε τη συσκευή με χλιαρό νερό και ένα μαλακό πανί.

- Τοποθετήστε τη συσκευή σε επίπεδη και σταθερή επιφάνεια, εκτός εάν αναφέρεται διαφορετικά.
- Βεβαιωθείτε ότι υπάρχει αρκετός ελεύθερος χώρος γύρω από τη συσκευή για λόγους αερισμού.
- Τοποθετήστε τη συσκευή με τέτοιο τρόπο ώστε η πρίζα να είναι πάντα προσβάσιμη.

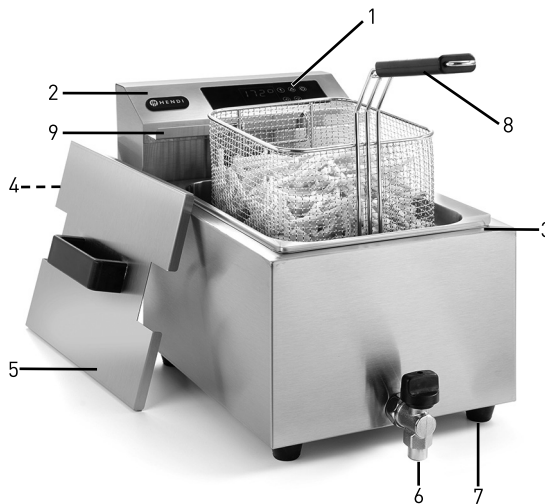
Τοποθέτηση

- Τοποθετήστε τη συσκευή σε μία επίπεδη, σταθερή, καθαρή, στεγνή και ανθεκτική στη θερμότητα επιφάνεια.
- Τοποθετήστε προσεκτικά το πίσω στήριγμα με το θερμικό στοιχείο στο πίσω μέρος του κάδου λαδιού.

Σημείωση:

1. Βεβαιωθείτε ότι ο πείρος στο πίσω στήριγμα έχει τοποθετηθεί σωστά.
2. Η συσκευή πρέπει να τοποθετείται σε ασφαλή θέση στην κουζίνα σας πριν τη χρήση, λόγω της αυξημένης θερμοκρασίας που αναπτύσσεται κατά τη χρήση.

Βασικά εξαρτήματα της συσκευής

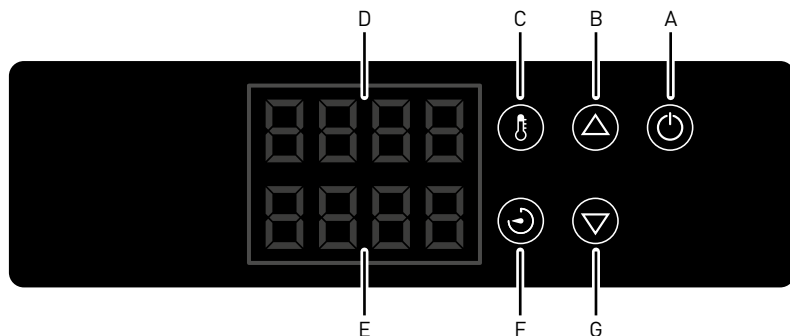


1. Πίνακας ελέγχου
2. Αποσπώμενο πίσω στήριγμα με θερμικό στοιχείο
3. Μονάδα βάσης με κάδο λαδιού
4. Κουμπι ΕΠΑΝΑΦΟΡΑΣ (στο κάτω μέρος του πίσω στηρίγματος)

5. Καπάκι
6. Στόμιο εκροής λαδιού
7. Στηρίγματα
8. Κάδος τηγανίσματος με λαβή
9. Καλάθι τηγανίσματος



Κουμπιά λειτουργιών στον πίνακα ελέγχου



A) Διακόπτης ON/OFF

B) Εικονίδιο αύξησης τιμής (για να αυξήσετε τη θερμοκρασία & τον χρόνο τηγανίσματος)

C) Εικονίδιο ΘΕΡΜΟΚΡΑΣΙΑΣ

D) Επάνω οθόνι

E) Κάτω οθόνι

F) Εικονίδιο ΧΡΟΝΟΜΕΤΡΟΥ

G) Εικονίδιο μείωσης τιμής (για να μειώσετε τη θερμοκρασία & τον χρόνο τηγανίσματος)

Χρήση

- Βεβαιωθείτε ότι το στόμιο εκροής λαδιού είναι κλειστό.
- Βγάλτε το βύσμα από την πρίζα.
- Βεβαιωθείτε ότι ο κάδος λαδιού είναι καθαρός και απολύτως στεγνός.

- Γεμίστε προσεκτικά τον κάδο με λάδι πάνω από την ένδειξη L (ελάχιστη στάθμη) και μέχρι την ένδειξη H (μέγιστη στάθμη).
- Βάλτε το γειωμένο βύσμα σε μια πρίζα με γείωση.
- Τώρα μπορείτε να χρησιμοποιήσετε τη φριτζέζα.

Βαθύ τηγάνισμα

Η φριτζέζα για βαθύ τηγάνισμα διαθέτει μια μοναδική κρύα ζώνη, η οποία επιτρέπει στα ψίχουλα και στα υπολείμματα να βυθίζονται στον πυθμένα του κάδου. Αυτό επεκτείνει σημαντικά τη διάρκεια ζωής του λίπους/λαδιού.

Ελέγχετε τακτικά εάν υπάρχει επαρκής ποσότητα λαδιού ή λίπους στον κάδο. Η στάθμη δεν πρέπει ποτέ να πέφτει κάτω από την ένδειξη L (ελάχιστη στάθμη).

Λειτουργία

1. Ρύθμιση ΘΕΡΜΟΚΡΑΣΙΑΣ

1.1 Γεμίστε τον κάδο με λάδι και βεβαιωθείτε ότι η στάθμη λαδιού βρίσκεται μεταξύ των ενδείξεων «L» και «H». Σημείωση: Έχετε υπόψη ότι τα υλικά που θα τοποθετηθούν μέσα στο λάδι θα αυξήσουν τη στάθμη του λαδιού. Μην τοποθετείτε μέσα στον κάδο υπερβολικά υγρά υλικά ή μεγάλη ποσότητα υλικών.

1.2 Συνδέστε το βύσμα σε μια κατάλληλη ηλεκτρική πρίζα.

1.3 Πατήστε τον διακόπτη ON/OFF. Η ενδεικτική λυχνία θα ανάψει. Το εικονίδιο ΑΥΞΗΣΗ / ΜΕΙΩΣΗ θα αρχίσει να αναβοσβήνει. Στην επάνω οθόνη θα εμφανιστεί η τρέχουσα ΟΡΙΣΘΕΙΣΑ ΘΕΡΜΟΚΡΑΣΙΑ. (Εύρος ΘΕΡΜΟΚΡΑΣΙΑΣ: 25°C ~ 195°C).

1.4 Πατήστε το εικονίδιο ΑΥΞΗΣΗ ή ΜΕΙΩΣΗ για να ξεκινήσει η λειτουργία θέρμανσης. Στην επάνω οθόνη θα εμφανιστεί η ΠΡΑΓΜΑΤΙΚΗ ΘΕΡΜΟΚΡΑΣΙΑ του λαδιού και το εικονίδιο ΘΕΡΜΟΚΡΑΣΙΑ θα αναβοσβήνει.



1.5 Μπορείτε επίσης να πατήσετε το εικονίδιο ΘΕΡΜΟΚΡΑΣΙΑ για να εμφανιστεί η τελευταία ΟΡΙΣΘΕΙΣΑ ΘΕΡΜΟΚΡΑΣΙΑ για 1-2 δευτερόλεπτα. Πιέστε το εικονίδιο ΑΥΞΗΣΗ ή ΜΕΙΩΣΗ για να ρυθμίσετε τη ΟΡΙΣΘΕΙΣΑ ΘΕΡΜΟΚΡΑΣΙΑ, εάν χρειάζεται. Πατήστε μία φορά το εικονίδιο ΑΥΞΗΣΗ ή ΜΕΙΩΣΗ για να αυξήσετε ή να μειώσετε τη θερμοκρασία κατά +1,0°C / -1,0°C αντίστοιχα. Πιέστε πατημένο για γρήγορη ρύθμιση. Εντός περιόδου 2-3 δευτερολέπτων αφού σταματήσετε να πατάτε το εικονίδιο, η νέα ΟΡΙΣΘΕΙΣΑ ΘΕΡΜΟΚΡΑΣΙΑ θα αποθηκευτεί αυτόματα.

1.6 Υπό λειτουργία θέρμανσης, το εικονίδιο ΘΕΡΜΟΚΡΑΣΙΑ θα αναβοσβήνει έως ότου επιτευχθεί η ΟΡΙΣΘΕΙΣΑ ΘΕΡΜΟΚΡΑΣΙΑ. Όταν επιτευχθεί η ΟΡΙΣΘΕΙΣΑ ΘΕΡΜΟΚΡΑΣΙΑ, το εικονίδιο ΘΕΡΜΟΚΡΑΣΙΑ θα σταματήσει να αναβοσβήνει και η θερμοκρασία θα διατηρηθεί σε εύρος $\pm 2^{\circ}\text{C}$.

1.7 Όταν απενεργοποιηθεί η συσκευή, στην επάνω οθόνη θα εμφανιστεί η ένδειξη «OFF» και στην κάτω οθόνη η ένδειξη «Hot».

2. Ρύθμιση ΧΡΟΝΟΜΕΤΡΟΥ

2.1 Μπορείτε να ενεργοποιήσετε τη λειτουργία ΧΡΟΝΟΜΕΤΡΟ ενώ η συσκευή βρίσκεται σε λειτουργία.

2.2 Πατήστε πατημένο το εικονίδιο ΧΡΟΝΟΜΕΤΡΟ για 2-3 δευτερόλεπτα για μετάβαση στη λειτουργία ρύθμισης ΧΡΟΝΟΜΕΤΡΟΥ. Το εικονίδιο ΑΥΞΗΣΗ ή ΜΕΙΩΣΗ θα αρχίσει να αναβοσβήνει.

2.3 Εντός 1-2 δευτερολέπτων, πιέστε το εικονίδιο ΑΥΞΗΣΗ ή ΜΕΙΩΣΗ για να ρυθμίσετε το ΧΡΟΝΟΜΕΤΡΟ. Πιέστε μία φορά για να αυξήσετε ή να μειώσετε τον χρόνο κατά 30 δευτερόλεπτα. Στην κάτω οθόνη θα εμφανιστεί ο καθορισμένος χρόνος αντίστροφης μέτρησης για το ΧΡΟΝΟΜΕΤΡΟ. Πιέστε παρατεταμένα το εικονίδιο ΑΥΞΗΣΗ ή ΜΕΙΩΣΗ για γρήγορη ρύθμιση (Εύρος ΧΡΟΝΟΜΕΤΡΟΥ: 30 δευτερόλεπτα ~ 20 λεπτά).

2.4 Η νέα ορισθείσα τιμή του ΧΡΟΝΟΜΕΤΡΟΥ θα αποθηκευτεί και η αντίστροφη μέτρηση θα ξεκινήσει εντός περίπου 2-3 δευτερολέπτων.

2.5 Όταν ολοκληρωθεί η αντίστροφη μέτρηση, η ένδειξη «End» θα αρχίσει να αναβοσβήνει στην κάτω οθόνη. Μέσα σε διάστημα ενός λεπτού, θα ακουστούν δύο σύντομοι ήχοι διάρκειας περίπου 10 δευτερολέπτων.

2.6 Πατήστε μία φορά το εικονίδιο ΧΡΟΝΟΜΕΤΡΟ για μετάβαση στην τελευταία ορισθείσα τιμή. Πατήστε ξανά το εικονίδιο ΧΡΟΝΟΜΕΤΡΟ για να μεταβείτε στη λειτουργία ρύθμισης ΧΡΟΝΟΜΕΤΡΟΥ και να αλλάξετε την τιμή. Το εικονίδιο ΑΥΞΗΣΗ ή ΜΕΙΩΣΗ θα αρχίσει να αναβοσβήνει. Η νέα ορισθείσα τιμή του ΧΡΟΝΟΜΕΤΡΟΥ θα αποθηκευτεί και η αντίστροφη μέτρηση θα ξεκινήσει ξανά εντός περίπου 2-3 δευτερολέπτων.

Προσοχή: Η βάση του κάδου τηγανίσματος παρέχεται μόνο για προσωρινή χρήση, για την αφαίρεση του περιττού λαδιού. Μην αφήνετε τον κάδο στη βάση για μεγάλο χρονικό διάστημα, για να αποφύγετε την τυχαία πτώση και διαρροή του ζεστού λαδιού.

Λειτουργία Βαθμονόμησης

Αυτή η λειτουργία επιτρέπει στον χρήστη να βαθμονομεί και να ευθυγραμμίζει την «εμφανιζόμενη θερμοκρασία» με την «πραγματική θερμοκρασία». Για τη μέτρηση απαιτείται βαθμονομημένο θερμόμετρο με αισθητήρα (δεν περιλαμβάνεται).

- Κατά τη λειτουργία της συσκευής, πιέστε παρατεταμένα το εικονίδιο ΑΥΞΗΣΗ και ΜΕΙΩΣΗ για 5-6 δευτερόλεπτα για μετάβαση στη «λειτουργία βαθμονόμησης».
- Στη συνέχεια, η «εμφανιζόμενη θερμοκρασία» θα αρχίσει να αναβοσβήνει σταθερά.

- Τοποθετήστε το θερμόμετρο (δεν περιλαμβάνεται) μέσα στον κάδο λαδιού για σύγκριση. Προσέχετε γιατί το λάδι είναι καυτό.
- Σε σταθερή κατάσταση, πατήστε το εικονίδιο ΑΥΞΗΣΗ ή ΜΕΙΩΣΗ για να ευθυγραμμίσετε την «εμφανιζόμενη θερμοκρασία» με την ένδειξη του θερμόμετρου (δεν περιλαμβάνεται).
- Μετά την ολοκλήρωση της βαθμονόμησης, πατήστε το εικονίδιο ΘΕΡΜΟΚΡΑΣΙΑ για να επιβεβαιώσετε.

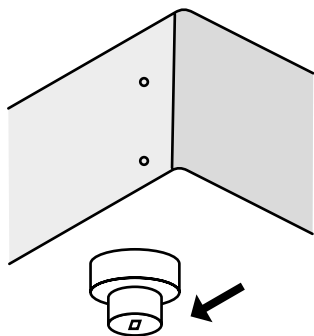


ΕΠΑΝΑΦΟΡΑ της διάταξης περιορισμού (θερμική διακοπή)

Το κουμπί ΕΠΑΝΑΦΟΡΑ, για την αποφυγή υπερθέρμανσης, φέρει προστατευτικό κάλυμμα και βρίσκεται στο κάτω μέρος του αποσπώμενου πίσω στήριγματος (βλ. σχέδιο)

- Αποσυνδέστε πρώτα τη φριτζέρα από την πρίζα.
- Αφήστε τη φριτζέρα να κρυώσει τελείως.
- Αφαιρέστε το αποσπώμενο πίσω στήριγμα από το στήριγμα.
- Ξεβιδώστε το μαύρο προστατευτικό κάλυμμα του κουμπιού ΕΠΑΝΑΦΟΡΑ.
- Πατήστε το κουμπί ΕΠΑΝΑΦΟΡΑ στη διάταξη περιορισμού (θερμική διακοπή). Πρέπει να ακουστεί ένα κλικ.
- Βιδώστε ξανά το προστατευτικό κάλυμμα στο κουμπί ΕΠΑΝΑΦΟΡΑ.

- Επανατοποθετήστε το αποσπώμενο πίσω στήριγμα.



Συμβουλές για τηγάνισμα

- Χρησιμοποιείτε μόνο λάδι για τηγάνισμα (συνιστάται) ή λίπος.
- Η ανώτατη συνιστώμενη θερμοκρασία τηγανίσματος είναι 175°C.
- Ζεστάνετε το λάδι αργά. Κατά προτίμηση σε 3 βήματα, π.χ. πρώτα στους 100°C, μετά στους 100-140°C και αργότερα από τους 140°C έως τους 175°C με διαλείμματα 15 λεπτών μεταξύ των βημάτων.
- Αφαιρείτε τον πάγο από τα κατεψυγμένα τρόφιμα.
- Μην τηγανίζετε υπερβολική ποσότητα υλικών ταυτόχρονα. Αυτό μπορεί να προκαλέσει την απώλεια θερμοκρασίας στο λάδι ή το λίπος. Το παγωμένο λάδι/λίπος δεν τηγανίζει σωστά την επιφάνεια του υλικού και έτσι απορροφάται περισσότερο λίπος. Η ιδανική αναλογία κατεψυγμένων υλικών και λαδιού/λίπους τηγανίσματος είναι 1:10.

- Όταν το λάδι/λίπος χρησιμοποιείται τακτικά, τα ψίχουλα και άλλα υπολείμματα πρέπει να αφαιρούνται από αυτό.
- Αντικαθιστάτε το λάδι ή το λίπος τακτικά. Χρησιμοποιείτε τακτικά δοκιμαστικές ταινίες ή άλλο δοκιμαστικό εξοπλισμό για να ελέγχετε πότε πρέπει να αντικαταστήσετε το λάδι/λίπος.
- Εάν το λάδι ή το λίπος αρχίζει να φουσκώνει, να βγάζει καπνό ή να γίνεται υπερβολικά παχύρρευστο, πρέπει να το αντικαταστήσετε. Αντικαταστήστε επίσης το λάδι/λίπος σε περίπτωση έντονης μυρωδιάς ή γεύσης.

Στερεά λίπη

- Αν παρά τις συμβουλές μας χρησιμοποιείτε στέρεο λίπος: τότε θερμάνετε το λάδι αργά στην χαμηλότερη θέση μέχρι να λιώσει. Μόλις το λίπος λιώσει μπορείτε να ρυθμίσετε την κατάλληλη θερμοκρασία τηγανίσματος.
- Όταν χρησιμοποιείτε στέρεο λίπος, αφήνετε τα μπλοκ λίπους να λιώσουν αργά σε μέτρια θερμοκρασία σε ένα κανονικό τηγάνι. Ρίχνετε προσεκτικά το

λιωμένο λίπος σε μία φριτζέρα για βαθύ τηγάνισμα. Βάζετε το φιντ στην πρίζα και ενεργοποιείτε τη φριτζέρα για βαθύ τηγάνισμα.

- Αφαιρέστε το καλάθι για βαθύ τηγάνισμα μετά τη χρήση του λίπους. Κατά αυτόν τον τρόπο αποφεύγεται να κολλήσει το καλάθι στο στερεοποιημένο λίπος.

Μετά τη χρήση

- Απενεργοποιήστε τη συσκευή, θέτοντας τον διακόπτη σε θέση «OFF» και αφαιρώντας το βύσμα από την πρίζα.
- Αφαιρέστε το καλάθι από τον κάδο λαδιού. Με αυτόν τον τρόπο, ο κάδος δεν κολλάει στο στερεοποιημένο λίπος.

- Τοποθετήστε το καπάκι στη φριτέζα, ώστε να μη χαλάει το λάδι.

Καθαρισμός και Συντήρηση

- Πριν από τον καθαρισμό της συσκευής, πρέπει να βγάξετε πάντα το βύσμα από την πρίζα και να την αφήσετε να κρυώσει τελείως.
- Προσοχή: Μην βυθίζετε ποτέ τη συσκευή σε νερό ή σε άλλο υγρό!
- Καθαρίζετε την εξωτερική επιφάνεια της συσκευής με ένα υγρό πανί (νερό με ήπιο καθαριστικό).
- Ποτέ μην χρησιμοποιείτε επιθετικά ή λειαντικά καθαριστικά. Μην χρησιμοποιείτε αιχμηρά ή κοφτερά αντικείμενα. Μην χρησιμοποιείτε Βενζίνη ή

διαλύτες! Καθαρίστε με ένα υγρό πανί και απορρυπαντικό, εάν είναι απαραίτητο. Μην χρησιμοποιείτε λειαντικά υλικά.

- Μην καθαρίζετε τη συσκευή με ατμοκαθαριστή ή εκτοξευτήρα νερού.
- Συναρμολογήστε τη συσκευή μετά τον καθαρισμό και διασφαλίστε ότι ο πίνακας θέρμανσης και ελέγχου έχει τοποθετηθεί σωστά, διαφορετικά η συσκευή δεν θα λειτουργήσει.

Τεχνικές προδιαγραφές

Αρ. προϊόντος	207369	207376
Τάση και συχνότητα λειτουργίας	230V~ 50Hz	
Ονομαστική ισχύς εισόδου	3500W	2 x 3500W
Χωρητικότητα	8L (με στόμιο)	2 x 8L (με στόμιο)
Κατηγορία προστασίας	Κατηγορία I	
Κλάση προστασίας νερού	IPX3	
Εύρος χρονομέτρου	30 δευτερόλεπτα ~ 20 λεπτά	
Εύρος θερμοκρασίας	25°C ~ 195°C	
Εξωτερικές διαστάσεις	300x515x(H)345mm	605x515x(H)345mm

Σημείωση: Οι τεχνικές προδιαγραφές μπορούν να τροποποιηθούν χωρίς προηγούμενη ειδοποίηση.



Αντιμετώπιση προβλημάτων

Αν η συσκευή δεν λειτουργεί σωστά, συμβουλευτείτε τον παρακάτω πίνακα για πιθανές λύσεις. Αν συνεχίσετε να μην μπορείτε να επιλύσετε το πρόβλημα, επικοινωνήστε με τον προμηθευτή/πάρχοο σέρβις.

Πρόβλημα	Σύμπτωμα	Πιθανή αιτία	Πιθανή λύση
Η συσκευή δεν λειτουργεί	Ελαττωματικό στοιχείο	Δεν υπάρχει τάση δικτύου.	Ελέγξτε την ηλεκτρική εγκατάσταση. Ελαττωματικός διακόπτης φωτισμού
		Ενεργοποίηση περιοριστή (θερμική διακοπή)	ΕΠΑΝΑΦΕΡΕΤΕ την διάταξη περιορισμού (θερμική διακοπή) (Δείτε ΕΠΑΝΑΦΟΡΑ στη σελίδα 76).
		Ελαττωματική διάταξη περιορισμού (θερμική διακοπή)	Επικοινωνήστε με τον προμηθευτή σας.
		Ελαττωματικός θερμοστάτης	Επικοινωνήστε με τον προμηθευτή σας.
Η συσκευή δεν φτάνει στη ρυθμισμένη θερμοκρασία.	Μεγάλη διάρκεια τηγνίσματος	Ελαττωματικός θερμοστάτης	Επικοινωνήστε με τον προμηθευτή σας.
		Ελαττωματικό στοιχείο	Επικοινωνήστε με τον προμηθευτή σας.

Εάν μετά τους παραπάνω ελέγχους, η δυσλειτουργία συνεχίζεται, προτείνεται να επικοινωνήσετε με την τεχνική βοήθεια.

Εάν έχετε αμφιβολίες, να επικοινωνείτε πάντα με τον προμηθευτή σας!

Εγγύηση

Οποιοδήποτε ελάττωμα επηρεάζει τη λειτουργικότητα της συσκευής που γίνεται προφανές δύο χρόνια μετά την αγορά της, θα διορθώνεται με δωρεάν επισκευή ή αντικατάσταση, αρκεί η συσκευή να έχει χρησιμοποιηθεί και συντηρηθεί σύμφωνα με τις οδηγίες και να μην έχει γίνει κατάχρηση ή λανθασμένη χρήση της με οποιονδήποτε τρόπο. Δε τίθενται τα νόμιμα δικαιώματά σας. Εάν η συσκευή υποστηρίζεται

από εγγύηση, δηλώστε πού και πότε έχει αγοραστεί και συμπεριλάβετε την απόδειξη αγοράς (π.χ. απόδειξη λιανικής πώλησης).

Σύμφωνα με την πολιτική μας για τη συνεχή εξέλιξη των προϊόντων μας, διατηρούμε το δικαίωμα να αλλάξουμε το προϊόν, τη συσκευασία και τις προδιαγραφές τεκμηριωσής του χωρίς προειδοποίηση.

Απόρριψη & Περιβάλλον

Η συσκευή, μετά το πέρας της διάρκειας ζωής της, δεν πρέπει να απορρίπτεται ως οικιακό απόρριμμα. Πρέπει να απορρίπτεται, με δική σας ευθύνη, σε καθορισμένο σημείο συλλογής. Η μη τήρηση αυτού ενδέχεται να τιμωρείται σύμφωνα με τους ισχύοντες κανονισμούς για τη διάθεση των απορριμμάτων. Η χωριστή συλλογή και ανακύκλωση αυτής της συσκευής κατά τη στιγμή της απόρριψης βοηθά στη διατήρηση των φυσικών πόρων και εξασφαλίζει την

ανακύκλωσή της με τρόπο που προστατεύει την ανθρώπινη υγεία και το περιβάλλον. Για περισσότερες πληροφορίες σχετικά με το πού μπορείτε να απορρίψετε τη συσκευή για ανακύκλωση, επικοινωνήστε με την τοπική εταιρεία συλλογής απορριμμάτων. Οι κατασκευαστές και οι εισαγωγείς δεν αναλαμβάνουν την ευθύνη ανακύκλωσης, επεξεργασίας και οικολογικής διάθεσης, είτε άμεσα είτε μέσω δημόσιου συστήματος.

ΣΕΡΒΙΣ ΕΛΛΑΔΟΣ:

Τηλ.: 213 0 998989 (10 γραμμές)

info@pks-hendi.com











HENDI

Tools for Chefs

Hendi B.V.

Innovatielaan 6
6745 XW De Klomp, The Netherlands
Tel: +31 317 681 040
Email: info@hendi.eu

Hendi Polska Sp. z o.o.

ul. Firmowa 12
62-023 Robakowo, Poland
Tel: +48 61 658 7000
Email: info@hendi.pl

Hendi Food Service Equipment GmbH

Ehring 15
5112 Lamprechtshausen, Austria
Tel: +43 6274 200 10 0
Email: office.austria@hendi.eu

Hendi Food Service Equipment Romania S.R.L.

Str. 13 decembrie 94A, Hala 14
Braşov, 500164, Romania
Tel: +40 268 320330
Email: office@hendi.ro

PKS Hendi South East Europe SA

5 Metsovou Str.
18346 Moschato, Athens, Greece
Tel: +30 210 4839700
Email: info@pks-hendi.com

Hendi Italia S.R.L.

Via Leonardo da Vinci 4
39100 Bolzano (BZ), Italy
Tel: +39 800 727 438
Email: office.italy@hendi.eu

Hendi HK Ltd.

1208, 12/F Exchange Tower
33 Wang Chiu Road, Kowloon Bay, Hong Kong
Tel: +852 2154 2618
Email: info-hk@hendi.eu

Find Hendi on internet:

www.hendi.eu
www.facebook.com/HendiToolsforChefs
www.linkedin.com/company/hendi-food-service-equipment-b.v.
www.youtube.com/HendiEquipment

- Changes, printing and typesetting errors reserved.
- Änderungen und Druckfehler vorbehalten.
- Wijzigingen en drukfouten voorbehouden.
- Producent zastrzega sobie prawo do zmian oraz błądów drukarskich w instrukcji.
- Variations et fautes d'impression réservés.

- Errori di cambiamenti, di stampa e di impaginazione riservati.
- Drepturi rezervate cu privire la modificări și greșeli de imprimare.
- Изменения, печати и верстки ошибки защищены.
- Με επιφύλαξη αλλαγών, λαθών εκτύπωσης και στοιχειοθεσίας.