

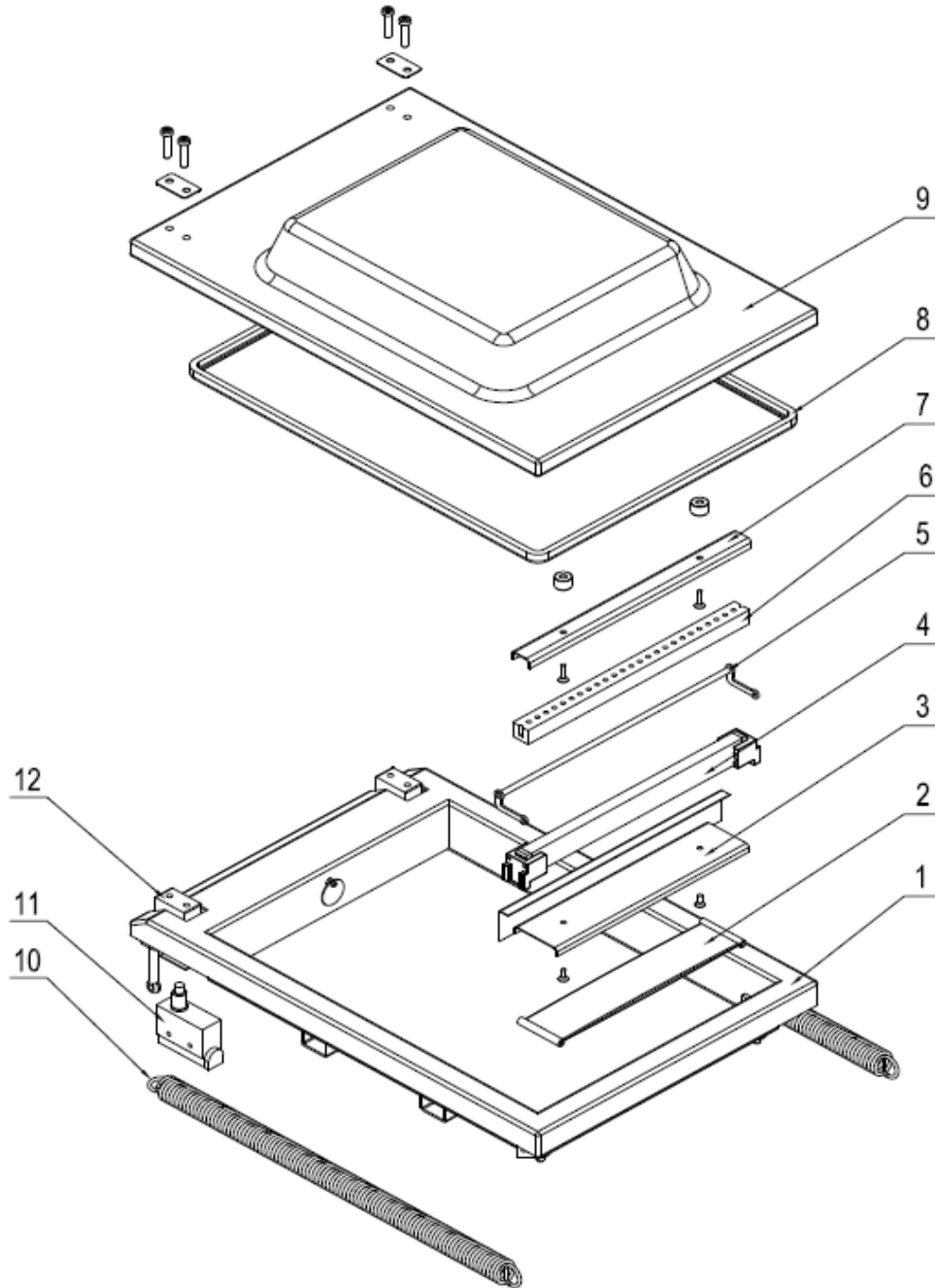
Drawing




Hendi B.V.  
Steenoven 21  
3911 TX Rhenen  
The Netherlands

Batch #	Appliance part#
402167 and up	975275
Description	
Vacuum chamber packaging machine	

Date	17-06-2020	Revision #	Revision version
Revision	First bill of materials (BOM)		



### Bill of materials (BOM)

 <b>Hendi B.V.</b> Steenoven 21 3911 TX Rhenen The Netherlands	<b>Batch #</b>	<b>Appliance part#</b>
	402167 and up	<b>975275</b>
	<b>Description</b>	
<b>Vacuum chamber packaging machine</b>		

<b>Date</b>	17-06-2020	<b>Revision #</b>	Revision version
<b>Revision</b>	First bill of materials (BOM)		

Item	Description	Part#	Quantity	Remark	Picture
1	Vacuum chamber	n/a	1		
2	Diaphragm	975077	1		
3	Bracket	n/a	1		
4	Sealing bar (complete)	943762	1	Sealing size 350x8mm, incl item 4a,4b	
4a	Sealing wire (sold p/m)	936818	1	Also available in service kit 939475	
4b	Teflon tape (sold p/m)	936801	1	Also available in service kit 939475	
5	Bag holder	n/a	1		
6	Silicone gasket	939444	1		
7	Holder silicone gasket	n/a	1		
8	Lid gasket (sold p/m)	936962	1	Also available in service kit 939475	
9	Lid	939451	1		
10	Spring	n/a	2		
11	Switch	n/a	1		
*	Service kit	939475	1	* note not shown on exploded view	

n/a -> not available

nss -> not sold separately

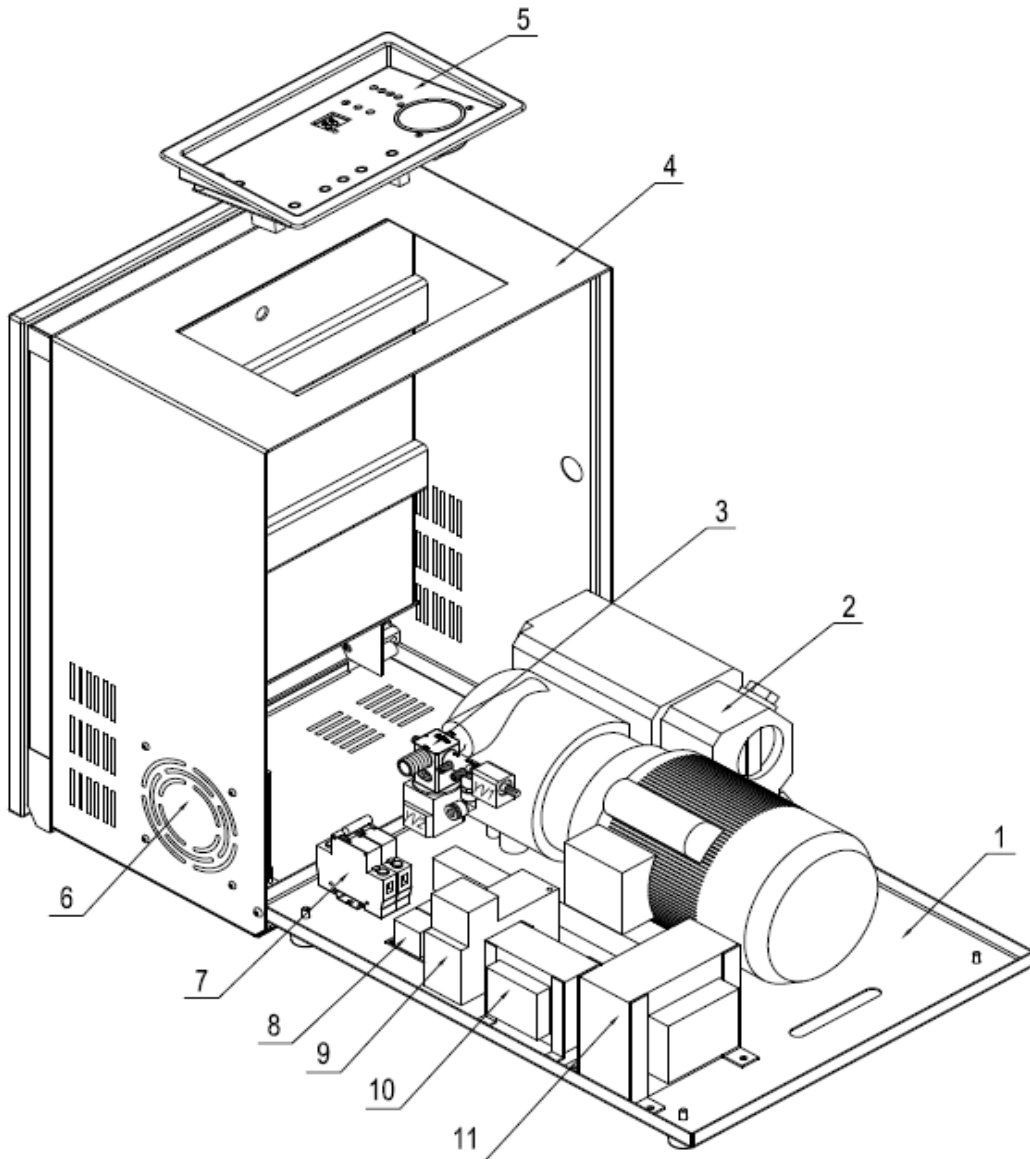
Drawing




Hendi B.V.  
Steenoven 21  
3911 TX Rhenen  
The Netherlands

Batch #	Appliance part#
402167 and up	975275
Description	
Vacuum chamber packaging machine	

Date	17-06-2020	Revision #	Revision version
Revision	First bill of materials (BOM)		



### Bill of materials (BOM)

 <b>Hendi B.V.</b> Steenoven 21 3911 TX Rhenen The Netherlands	<b>Batch #</b>	<b>Appliance part#</b>
	402167 and up	<b>975275</b>
	<b>Description</b>	
Vacuum chamber packaging machine		


<b>Date</b>	17-06-2020	<b>Revision #</b>	Revision version
<b>Revision</b>	First bill of materials (BOM)		

Item	Description	Part#	Quantity	Remark	Picture
1	Bottom cover	n/a	1		
2	Vacuum pump 20m³/h	939468	1		
3a	Seal valve	939420	1		
3b	Decompression valve	939413	1		
4	Housing	n/a	1		
5	Display pcb	936948	1		
6	Fan	n/a	1		
7	Earth leakage protection	n/a	1		
8	Relay pcb	939406	1		
9	Relay	936894	1		
10	Transformer (primary)	939383	1		
11	Transformer (sealing)	939390	1		
*	Oil exhaust filter	939437	1	*Note. Not shown on exploded view	

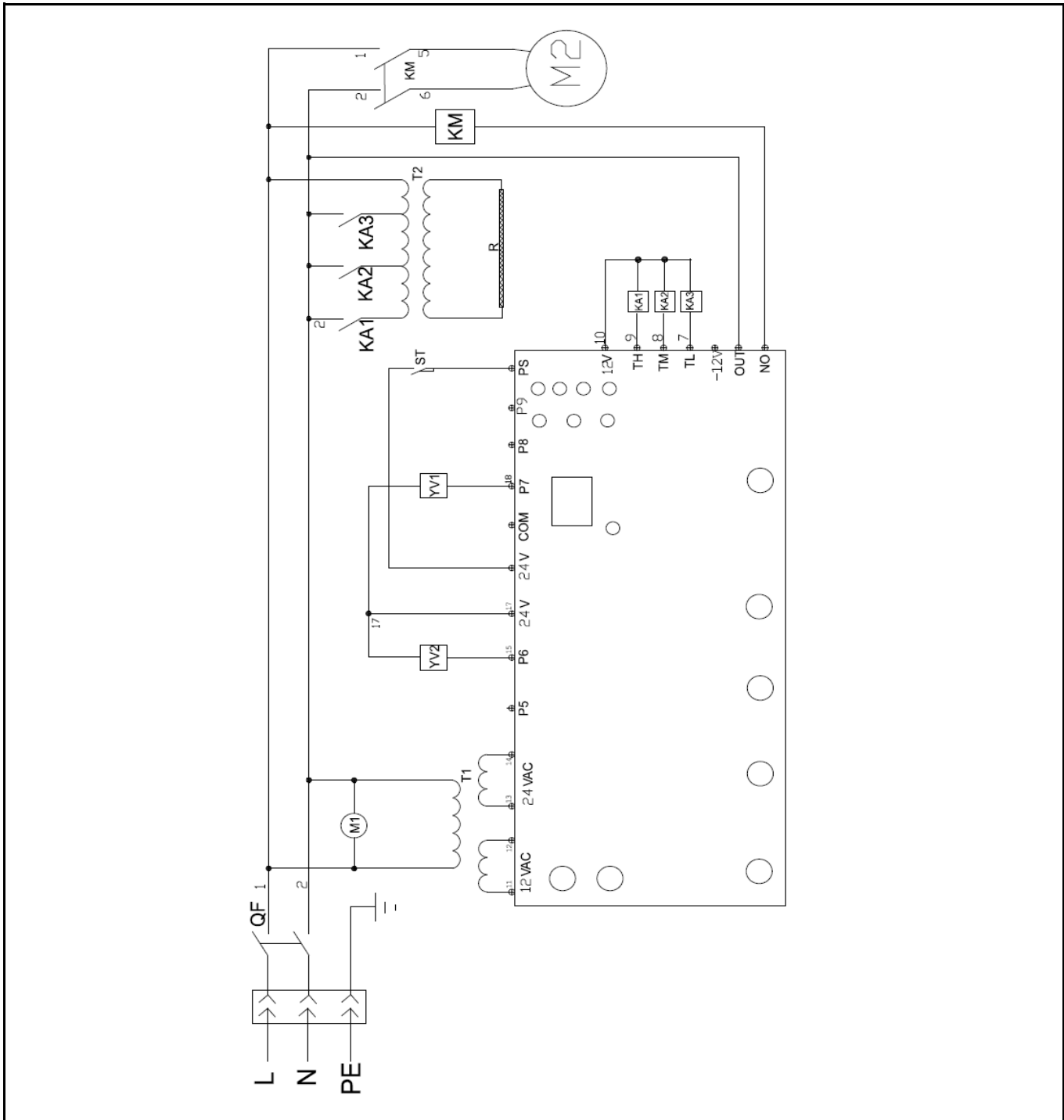
n/a -> not available

nss -> not sold separately


### Circuit diagram

 <p><b>Hendi B.V.</b> Steenoven 21 3911 TX Rhenen The Netherlands</p>	<b>Batch #</b>	<b>Appliance part#</b>
	402167 and up	<b>975275</b>
	<b>Description</b>	
	Vacuum chamber packaging machine	

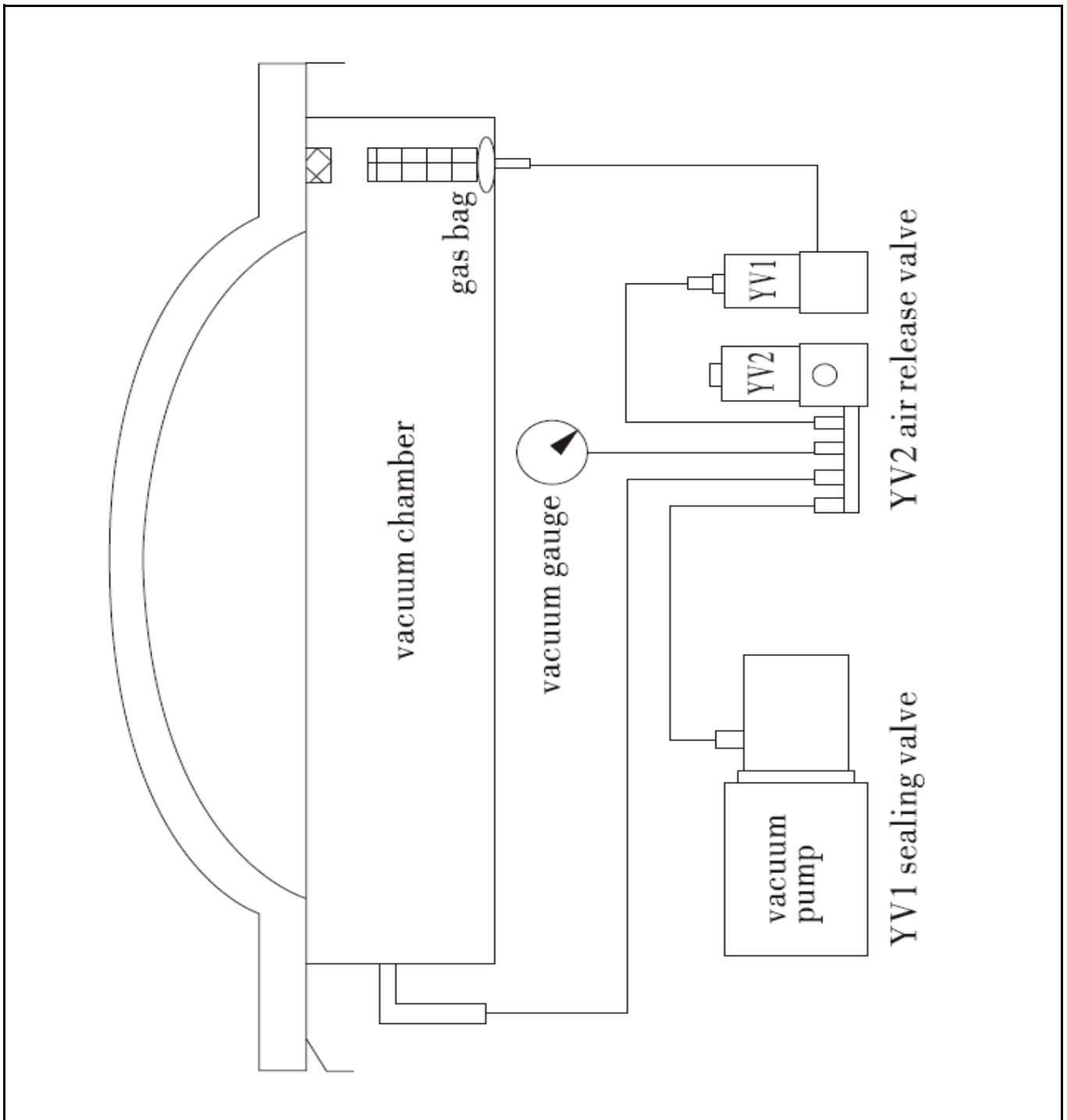
<b>Date</b>	17-06-2020	<b>Revision #</b>	Revision version
<b>Revision</b>	First bill of materials (BOM)		




## Wiring diagram

 <b style="font-size: 2em; margin-left: 10px;">HENDI</b> <small>FOOD SERVICE EQUIPMENT</small>  <b>Hendi B.V.</b> Steenoven 21 3911 TX Rhenen The Netherlands	<b>Batch #</b>	<b>Appliance part#</b>
	402167 and up	<b>975275</b>
	<b>Description</b>	
	Vacuum chamber packaging machine	

<b>Date</b>	17-06-2020	<b>Revision #</b>	Revision version
<b>Revision</b>	First bill of materials (BOM)		

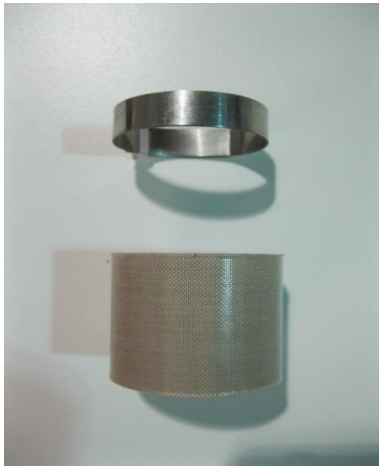


## Drawing

 <p><b>Hendi B.V.</b> Steenoven 21 3911 TX Rhenen The Netherlands</p>	<b>Batch #</b>	<b>Appliance part#</b>
	402167 and up	<b>975275</b>
	<b>Description</b>	
	Vacuum chamber packaging machine	

<b>Date</b>	17-06-2020	<b>Revision #</b>	Revision version
<b>Revision</b>	First bill of materials (BOM)		

### 939475 Service kit



Item	Description	Part #	Quantity
1	Bottle oil approx. 250ml	Only in this kit	1
2	Filler bottle	Only in this kit	1
3	Lid gasket	936962	1
4	Teflon tape	936801	1
5	Sealing wire	936818	1
6	Tools	Only in this kit	1
7	Letter box	Only in this kit	1

**\*Note. For maintenance instructions see user manual.**