

Drawing

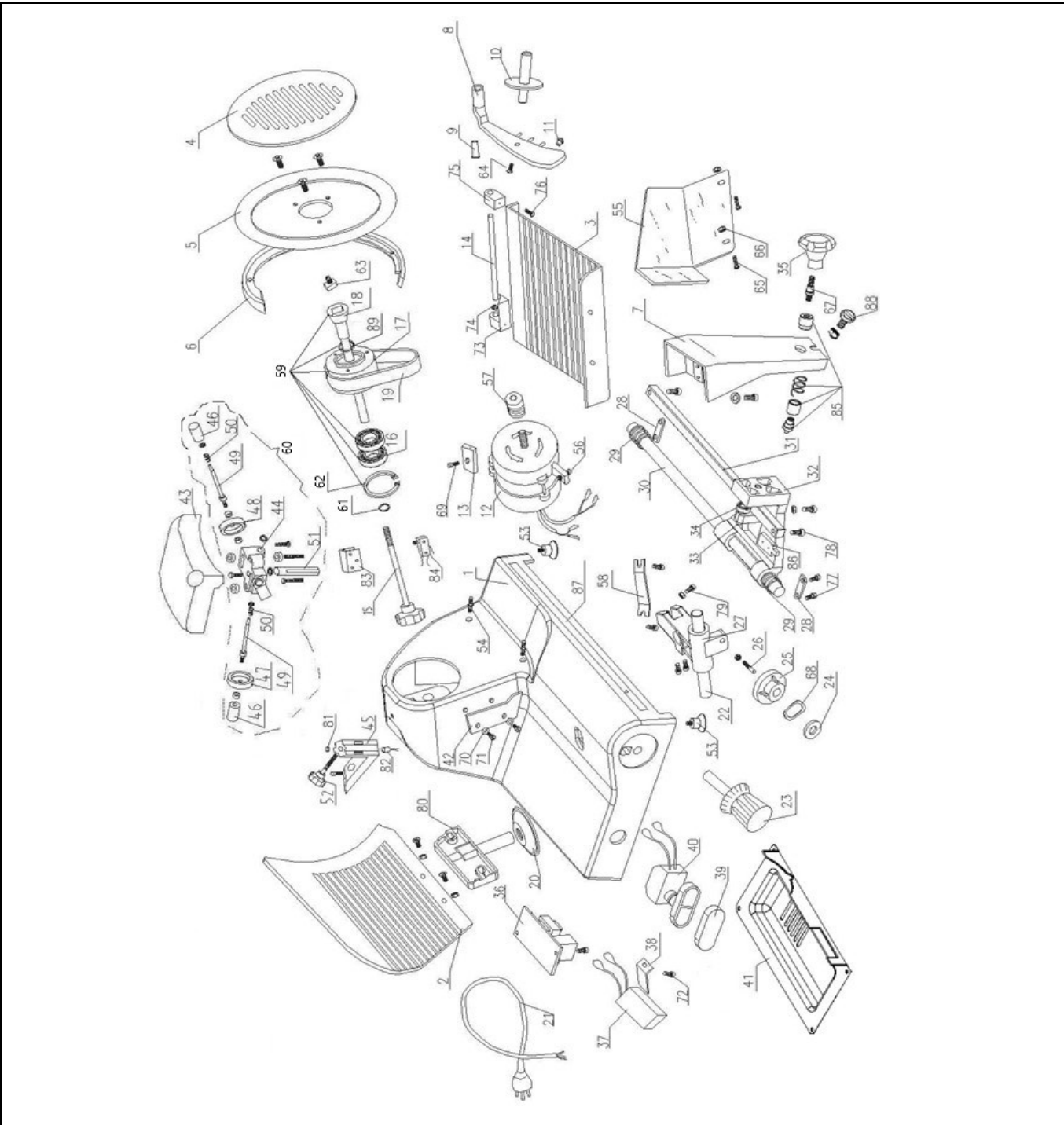


Tools for Chefs


Hendi B.V.
 Steenoven 21
 3911 TX Rhenen
 The Netherlands

Batch #	Appliance part#
661359 and up	970294
Description	
Slicer Profi Line 220 red edition	

Date	23-11-2020	Revision #	1.0
Revision	First Bill of Materials (BOM)		



Bill of materials (BOM)

 <b style="font-size: 24px; margin-left: 10px;">HENDI Tools for Chefs Hendi B.V. Steenoven 21 3911 TX Rhenen The Netherlands	Batch #	Appliance part#
	661359 and up	970294
	Description	
Slicer Profi Line 220 red edition		

Date	23-11-2020	Revision #	1.0
Revision	First Bill of Materials (BOM)		

Item	Description	Part#	Quantity	Remark	Picture
1	Housing	n/a	1		
2	Plate (thickness adjustment)	926451	1		
3	Sledge complete	948668	1	Incl. items 3, 7-11, 14, 28, 35, 55, 64-67, 73-76, 85 and 88	
4	Guard disc knife	924518	1	Incl. item 63	
5	Knife Ø220mm	924402	1		
6	Guard ring	n/a	1		
7	Sledge bracket	n/a	1		
8	Product holder	926468	1	Incl. items 8-11 and 64	
9	Bushing	nss	1	Available as 926468 and 948668	
10	Handle	nss	1	Available as 926468 and 948668	
11	Block	nss	1	Available as 926468 and 948668	
12	Motor 320W	928479	1		
13	Bracket	n/a	1		
14	Rod Ø12x185	nss	1	Available as 948668	
15	Bolt (guard disc)	924426	1		
16	Ball Bearing (6202)	nss	2	Available as 924495	
17	Pulley	nss	1	Available as 924495	
18	Axle	nss	1	Available as 924495	
19	Belt (TB2-330X14)	929155	1		
20	Cover	n/a	1		
21	Power cord	910641	1		
22	Axle	n/a	1		
23	Knob thickness adjustment	924433	1		
24	Washer	n/a	1		
25	Cam	926475	1		
26	Pin	n/a	1		
27	Bracket plate thickness adjustment	n/a	1		
28	Retaining plate	n/a	2		
29	Spring	n/a	2		
30	Axle	n/a	1		
31	Guide bar	n/a	1		
32	Mounting bracket sledge	n/a	1		
33	Bolt M8x35	n/a	1		
34	Ball bearing (607)	n/a	1		
35	Knob	nss	1	Available as 948668	
36	PCB	910788	1		
37	Capacitor	926604	1		
38	Bracket	n/a	1		
39	Cover switch	901847	1		
40	Switch	914953	1		
41	Bottom cover	910672	1		
42	Scaper	924440	1	Incl. item 70 and 71	
43	Cap (red)	nss	1	Available as 948675	
44	Bracket	nss	1	Available as 948675	
45	Holder grinding unit	n/a	1		
46	Knob	nss	2	Available as 948675	
47	Grinding stone (fine)	901793	1	Also in set 948675	
48	Grinding stone (coarse)	926482	1	Also in set 948675	
49	Pin	nss	2	Available as 948675	
50	Spring	nss	2	Available as 948675	
51	Pin incl. magnet	nss	1	Available as 948675	
52	knob	n/a	1		
53	Feet	901830	1	Set of 4 pcs	

54	Stud	n/a	3		
55	Guard sledge	924457	1	Incl. item 66 and 67, also in set 948668	
56	Bolt	n/a	1		
57	Pulley motor	924464	1		
58	Bracket	n/a	1		
59	Axle complete assembly	924495	1	Incl. item 16,17,18,19,61,62,and 89	
60	Grinding unit complete assembly	948675	1	Incl. item 43 and 81	
61	Washer	nss	1	Available as 948675	
62	Circlip Ø15	nss	1		
63	Square nut	nss	1	Available as 924518	
64	Screw	n/a	1		
65	Bolt	nss	2	Available as 924457 and 948668	
66	Dome nut	nss	2	Available as 924457 and 948668	
67	Bolt	nss	1	Available as 948668	
68	Waved spring	n/a	1		
69	Bolt	n/a	1		
70	Washer	nss	2	Available as 924440	
71	Screw	nss	2	Available as 924440	
72	Screw	n/a	1		
73	Rod holder A	nss	1	Available as 948668	
74	Rubber ring	nss	1	Available as 948668	
75	Rod holder B	nss	1	Available as 948668	
76	Screw	n/a	4		
77	Screw	n/a	4		
78	Screw	n/a	2		
79	Bolt (slider)	n/a	1		
80	Carrier plate thickness adjustment	n/a	1		
81	Magnet	nss	1	Available as 948675	
82	Magnet switch	n/a	1		
83	Microswitch bracket	n/a	1		
84	Microswitch	910689	1		
85	Locking pin system	nss	1	Available as 948668	
86	Limiter sledge	n/a	1		
87	Protective strip	n/a	1		
88	Screw	n/a	1		
89	Oil seal	n/a	1		

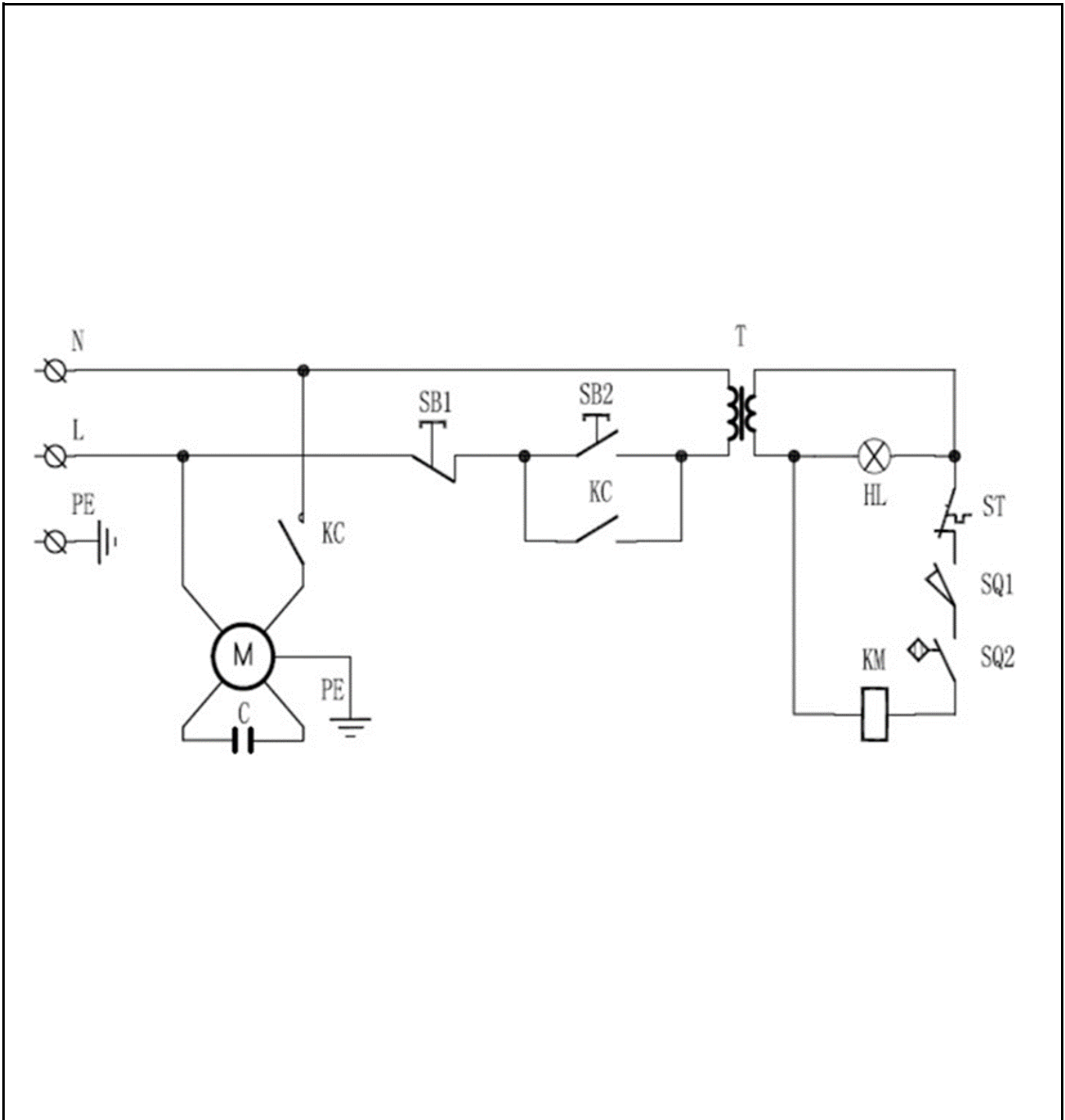
n/a -> not available

nss -> not sold separately

Circuit diagram

 <b style="font-size: 2em; margin-left: 10px;">HENDI Tools for Chefs Hendi B.V. Steenoven 21 3911 TX Rhenen The Netherlands	Batch #	Appliance part#
	661359 and up	970294
	Description	
	Slicer Profi Line 220 red edition	

Date	23-11-2020	Revision #	1.0
Revision	First Bill of Materials (BOM)		



Wiring diagram

HENDI Tools for Chefs Hendi B.V. Steenoven 21 3911 TX Rhenen The Netherlands	Batch #	Appliance part#
	661359 and up	970294
	Description	
	Slicer Profi Line 220 red edition	

Date	23-11-2020	Revision #	1.0
Revision	First Bill of Materials (BOM)		

