
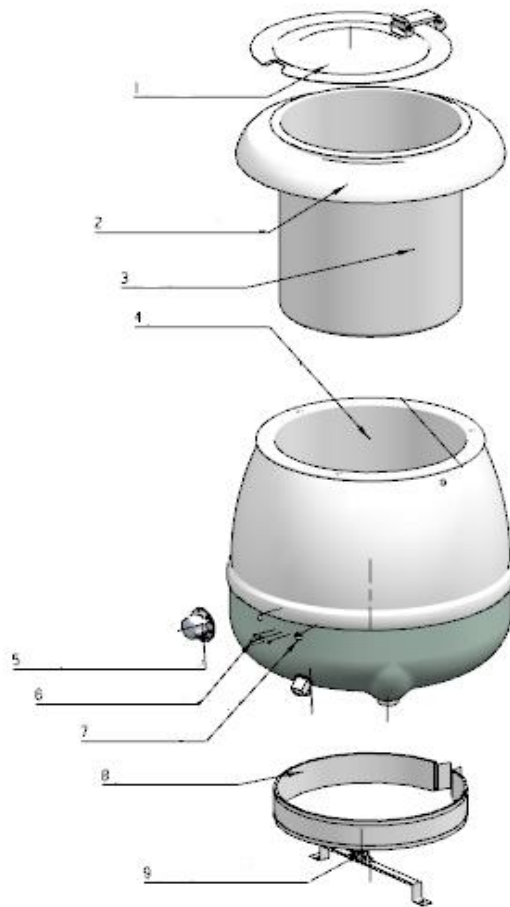



# Drawing

 <b>HENDI</b> FOOD SERVICE EQUIPMENT <b>Hendi B.V.</b> Steenoven 21 3911 TX Rhenen The Netherlands	<b>Batch #</b>	<b>Appliance part#</b>
	301747 until 201373	<b>860083</b>
	<b>Description</b>	
	Soup kettle	

<b>Date</b>	25-10-2024	<b>Revision #</b>	Revision version
<b>Revision</b>	First bill of materials (BOM)		



### Bill of materials (BOM)

 <p><b>Hendi B.V.</b> Steenoven 21 3911 TX Rhenen The Netherlands</p>	<b>Batch #</b>	<b>Appliance part#</b>
	301747 until 201373	<b>860083</b>
	<b>Description</b>	
	<b>Soup kettle</b>	


<b>Date</b>	25-10-2024	<b>Revision #</b>	Revision version
<b>Revision</b>	First bill of materials (BOM)		

Item	Description	Part#	Quantity	Remark	Picture
1	Lid with hinge	860021	1		
2	Support ring	900802	1		
3	Inner pot stainless steel	933398	1		
4	Aluminium pot	n/a	1		
5	Knob	860069	1		
6	Energy regulator	201121	1		
7	Signal light	860052	1		
8	Element 230V 400W	860038	1		
9	Hi-limiter	900758	1		

n/a -> not available

nss -> not sold separately

### Circuit diagram

 <p><b>Hendi B.V.</b> Steenoven 21 3911 TX Rhenen The Netherlands</p>	<b>Batch #</b>	<b>Appliance part#</b>
	301747 until 201373	<b>860083</b>
	<b>Description</b>	
	Soup kettle	

<b>Date</b>	25-10-2024	<b>Revision #</b>	Revision version
<b>Revision</b>	First bill of materials (BOM)		

