

Drawing



Tools for Chefs

Hendi B.V.
Steenoven 21
3911 TX Rhenen
The Netherlands

Batch #

000000 and up

Appliance part#

810668

Description

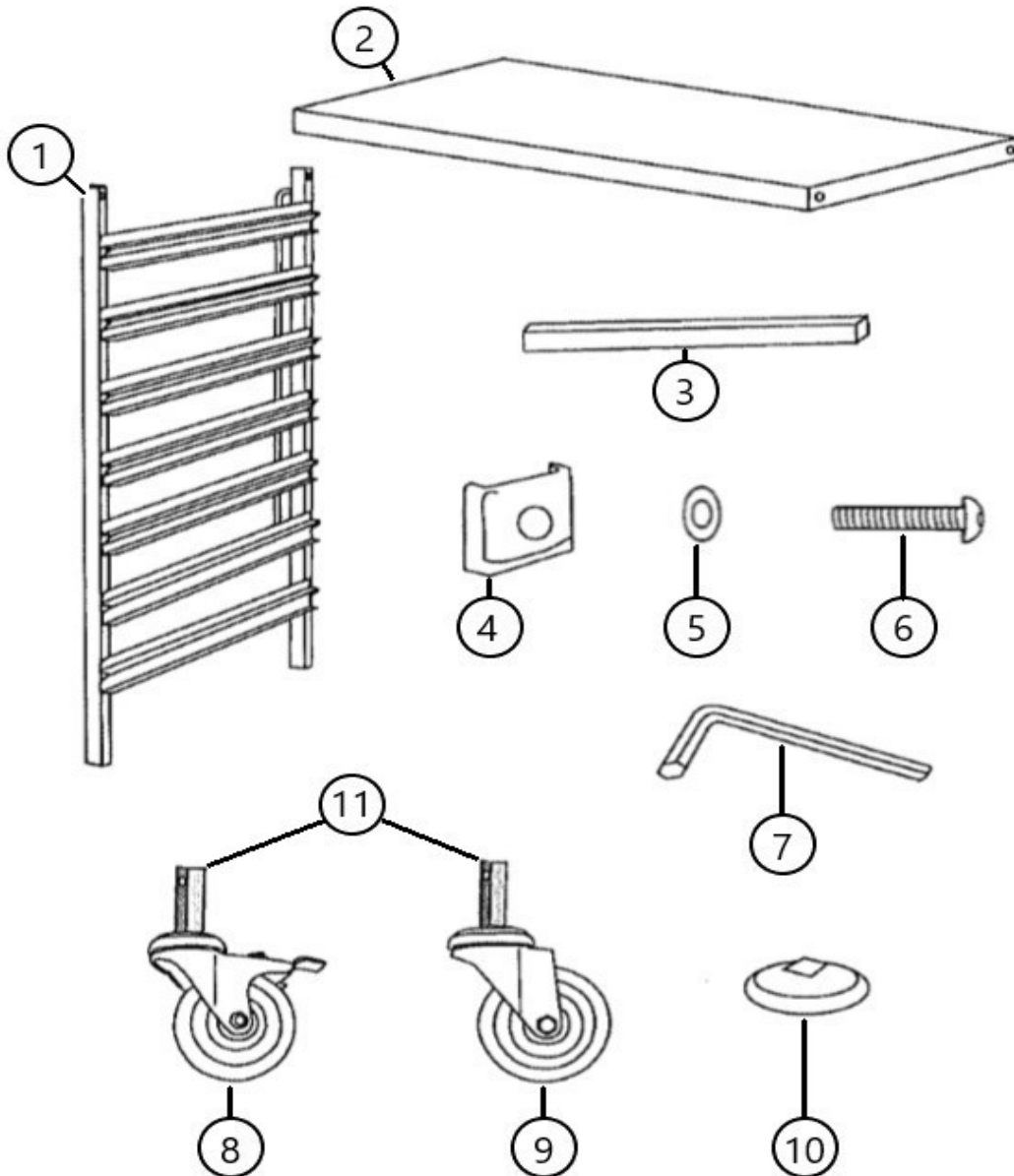
Clearing trolley 7xGN 1/1

Date 04-06-2020


Revision #

1.0

Revision First Bill of Materials (BOM)



Bill of materials (BOM)

 <b style="font-size: 24px; margin-left: 10px;">HENDI <small style="color: green; margin-left: 10px;">Tools for Chefs</small> Hendi B.V. Steenoven 21 3911 TX Rhenen The Netherlands	Batch #	Appliance part#
	000000 and up	810668
	Description	
	Clearing trolley 7xGN 1/1	

Date	04-06-2020	Revision #	1.0
Revision	First Bill of Materials (BOM)		

Item	Description	Part#	Quantity	Remark	Picture
1	Frame (side)	n/a	2		
2	Frame (top)	n/a	1		
3	Coupling piece s/s (set of 4)	810620	1		
4	Mounting plate	nss	8		
5	Washer	nss	4		
6	Socket screw	nss	8		
7	Hexgonal wrench	n/a	1		
8	Wheel (with brake)	810699	2		
9	Wheel (without brake)	810682	2		
10	Bumper	810644	4		
11	Plastic insert for wheel (set of 4)	921050	1		
*	Assembly kit	812433	1	Incl. item 4, 5 and 6	

n/a -> not available

nss -> not sold separately