

Drawing



Hendi B.V.
Steenoven 21
3911 TX Rhenen
The Netherlands

Batch #

000000 until
662038

Appliance part#

810613

Description

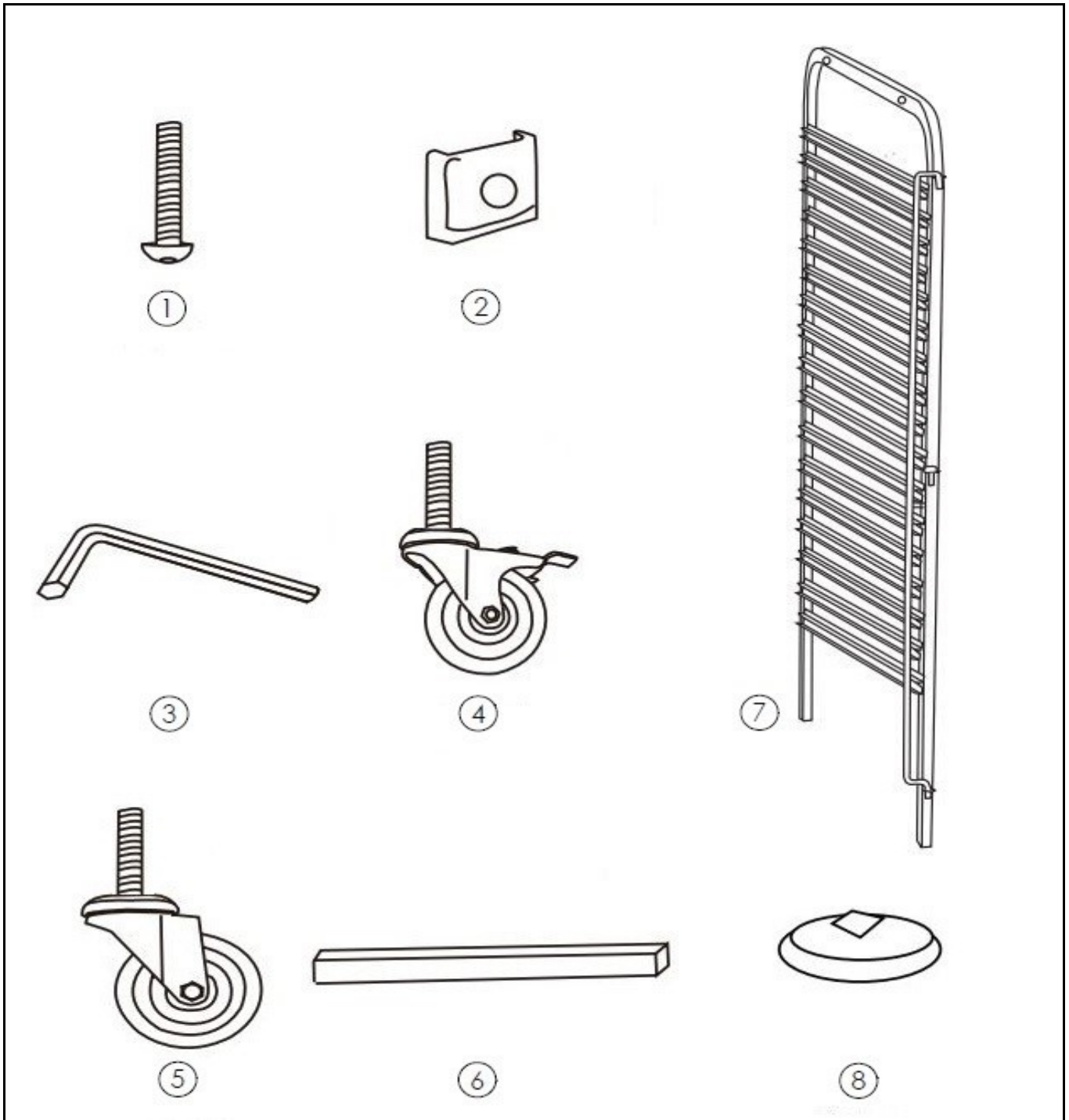
Clearing Trolley 15 X GN 1/1

Date 28-04-2020


Revision #

1.0

Revision First Bill of Materials (BOM)



Bill of materials (BOM)

 Hendi B.V. Steenoven 21 3911 TX Rhenen The Netherlands	Batch #	Appliance part#
	000000 until 662038	810613
	Description	
Clearing Trolley 15 X GN 1/1		

Date	28-04-2020	Revision #	1.0
Revision	First Bill of Materials (BOM)		

Item	Description	Part#	Quantity	Remark	Picture
1	Socket Screw	nss	8	Available as 812426	
2	Mounting Plate	nss	16	Available as 812426	
3	Hexagonal Wrench	n/a	1		
4	Wheel (with brake)	810675	2		
5	Wheel (without brake)	810637	2		
6	Coupling Piece s/s (set of 4)	810620	1		
7	Frame	n/a	2		
8	Bumper	810644	4		
*	Assembly kit	812426	1	Incl. item 1 and 2	

n/a -> not available

nss -> not sold separately