

Drawing



Tools for Chefs

Hendi B.V.
Steenoven 21
3911 TX Rhenen
The Netherlands

Batch #

000000 and up

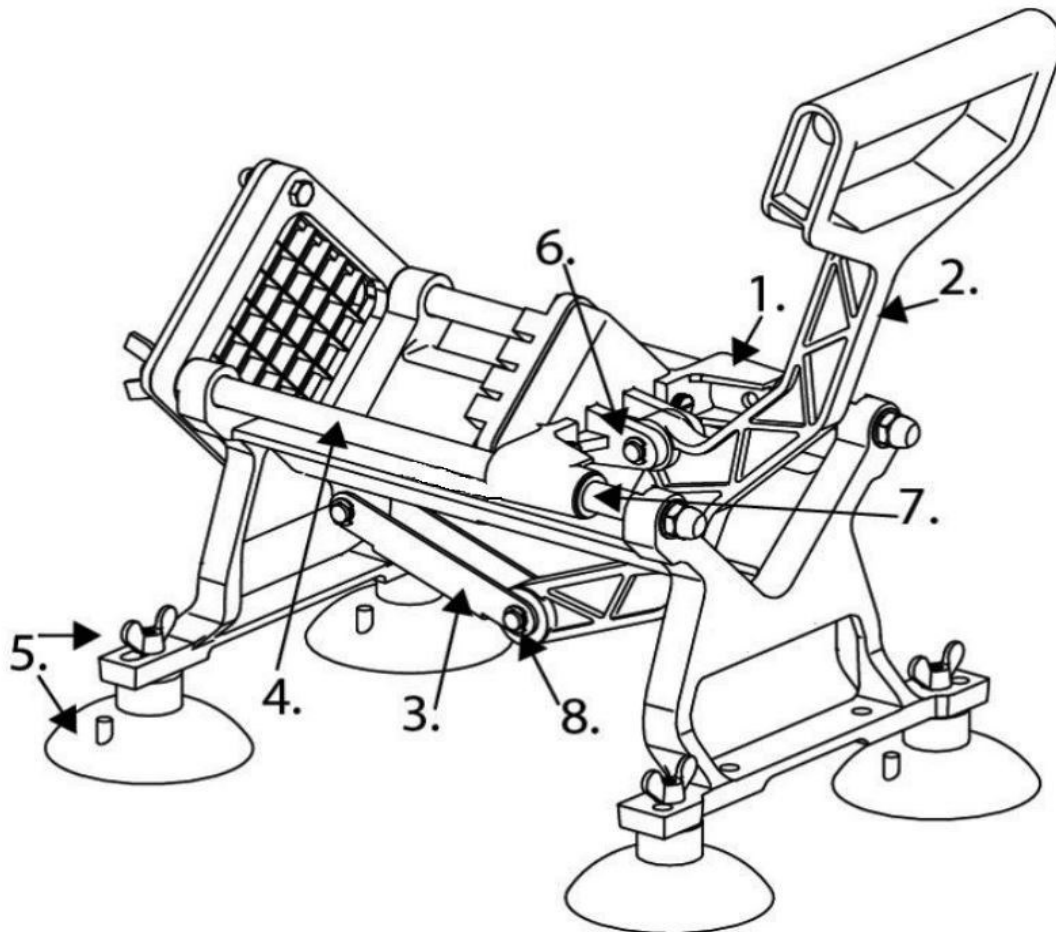
Appliance part#

630402


Description

French Fries Cutter

Date	26-11-2020	Revision #	1.0
Revision	First Bill of Materials		



Bill of materials (BOM)

 <b style="font-size: 24px; margin-left: 10px;">HENDI Tools for Chefs Hendi B.V. Steenoven 21 3911 TX Rhenen The Netherlands	Batch #	Appliance part#
	000000 and up	630402
	Description	
	French Fries Cutter	

Date	26-11-2020	Revision #	1.0
Revision	First Bill of Materials		

Item	Description	Part#	Quantity	Remark	Picture
1	Feeder fram assembly	n/a	1		
2	Handle	943748	1		
3	Hinge connector bracket	n/a	1		
4	Slide rod	n/a	2		
5	Feet (suctioncup)	941898	4	Set of 4 pcs	
6	Pin (long) with C-Clip	959275	1	Incl. item 8	
7	Slide rod bushing	932247	4	Set of 4 pcs	
8	Pin (short) with C-Clip	nss	1	Available as **06**	
9	Knife set 6mm	932902	1	Not shown on drawing	
10	Knife set 9mm	932919	1	Not shown on drawing	
11	Knife set 11mm	630419	0	Optional, not shown on drawing	
12	Knife set 13mm	932926	0	Optional, not shown on drawing	
13	Knife set wedge 8 pcs	932933	1	Not shown on drawing	

n/a -> not available

nss -> not sold separately