

Drawing



Tools for Chefs

Hendi B.V.
 Steenoven 21
 3911 TX Rhenen
 The Netherlands

Batch #

V.01

Appliance part#

470435

Description

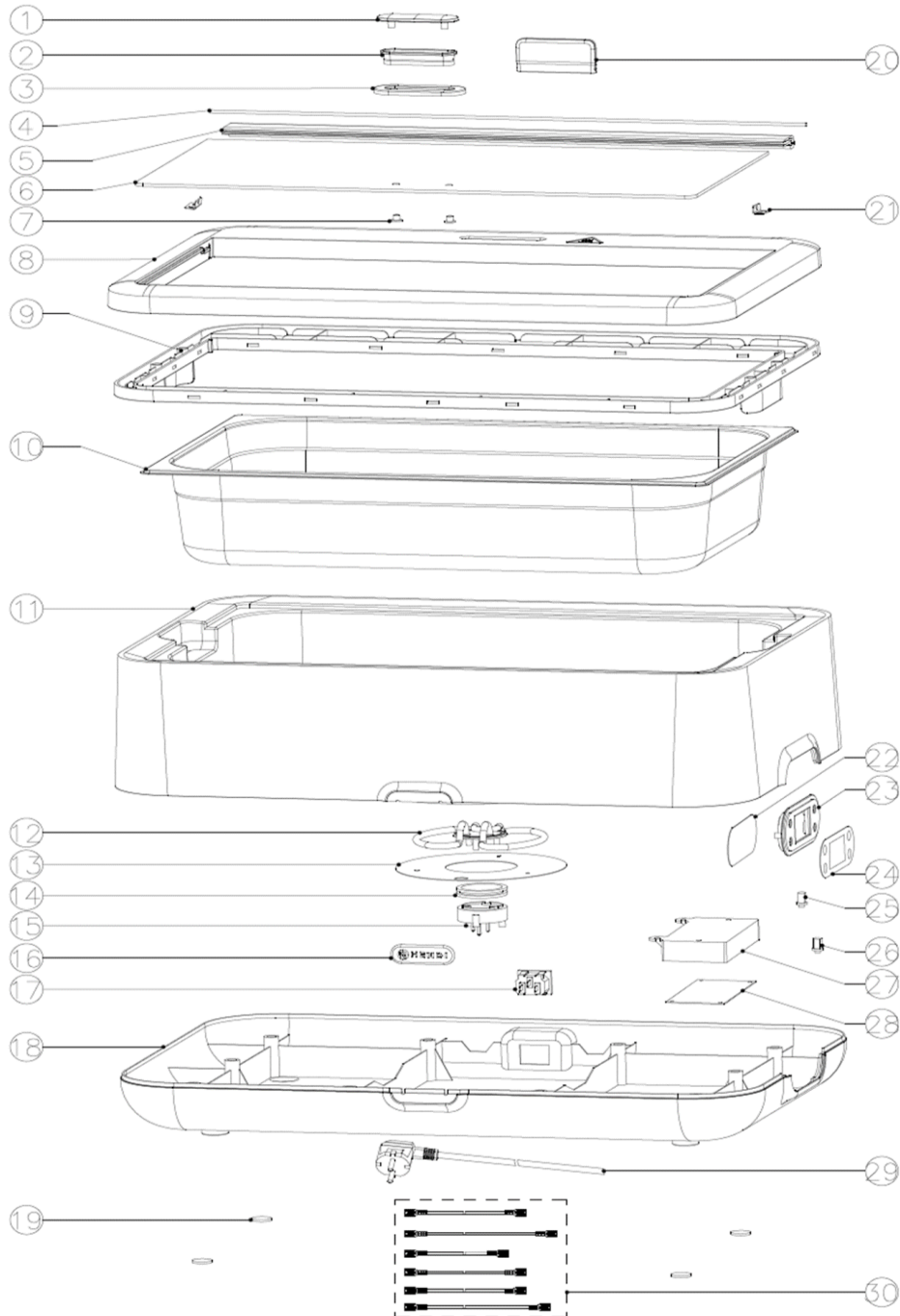
Chafing Dish "UNIQ" Green

Date 07-06-2023


Revision #

V.01

Revision First Bill of Materials (BOM)



Bill of materials (BOM)

 <b style="font-size: 24px; margin-left: 10px;">HENDI Tools for Chefs Hendi B.V. Steenoven 21 3911 TX Rhenen The Netherlands	Batch #	Appliance part#
	V.01	470435
	Description	
Chafing Dish "UNIQ" Green		


Date	07-06-2023	Revision #	V.01
Revision	First Bill of Materials (BOM)		

Item	Description	Part#	Quantity	Remark	Picture
1	Handle cover	nss	1		
2	Lid handle	963241	1	Incl. item 1, 3 and 7	
3	Handle bracket	nss	1		
4	Lid shaft	nss	1		
5	Glass lid bracket	nss	1		
6	Glass lid	963364	1	Incl. item 4, 5, 8, 9 and 21	
7	Glass protector	nss	1	Available as 963241	
8	Lid frame (upper)	nss	1		
9	Lid frame (lower)	nss	1		
10	Container GN1/1	n/a	1		
11	Housing frame	n/a	1		
12	Heating element	963258	1		
13	Heating element bracket	n/a	1		
14	Heating element seal	963265	1		
15	Hi-limiter	963272	1		
16	Logo badge "Hendi"	n/a	1		
17	Power socket (C14)	n/a	1		
18	Housing cover (bottom)	n/a	1		
19	Feet	963289	4		
20	Card holder	n/a	1		
21	Lid shaft bracket	nss	2		
22	Control PCB	963296	1		
23	Control panel bracket	n/a	1		
24	Control panel sticker	963302	1		
25	Temperature sensor	963319	1		
26	Waterlevel sensor	963326	1		
27	Main pcb housing	n/a	1		
28	Main PCB	963333	1		
29	Power cord	900680	1		
30	Wire harness	n/a	1		

n/a -> not available

nss -> not sold separately

Circuit diagram

 HENDI Tools for Chefs Hendi B.V. Steenoven 21 3911 TX Rhenen The Netherlands	Batch #	Appliance part#
	V.01	470435
	Description	
	Chafing Dish "UNIQ" Green	

Date	07-06-2023	Revision #	V.01
Revision	First Bill of Materials (BOM)		

