

Drawing



Tools for Chefs

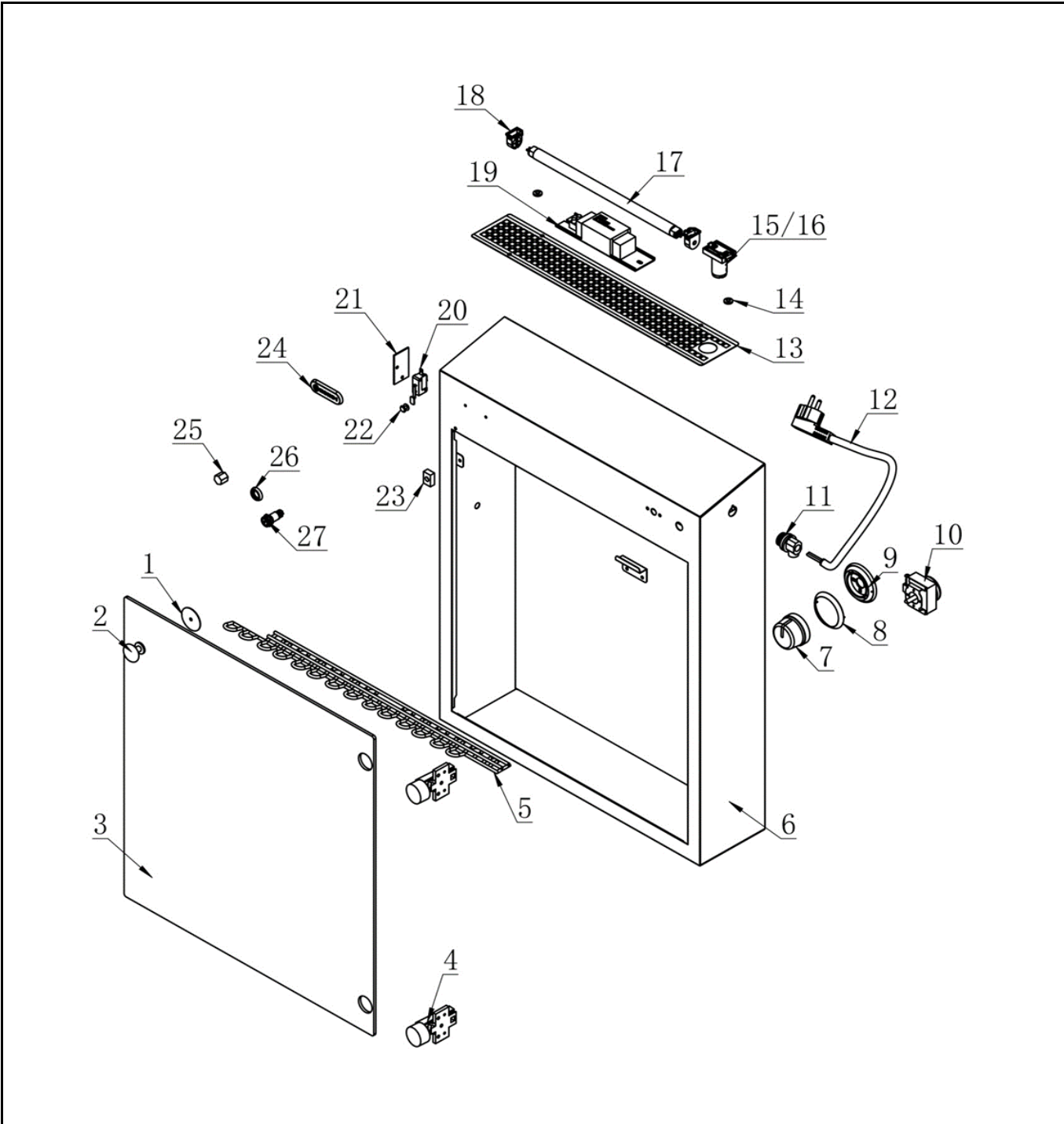
Hendi B.V.
 Steenoven 21
 3911 TX Rhenen
 The Netherlands

Batch #
 HK065520 and
 up


Appliance part#
 281246

Description
 UV sterilizer

Date	30-07-2021	Revision #	1.0
Revision	First Bill of Materials (BOM)		



Bill of materials (BOM)

 <b style="font-size: 24px; margin-left: 10px;">HENDI <small style="color: green; margin-left: 10px;">Tools for Chefs</small> Hendi B.V. Steenoven 21 3911 TX Rhenen The Netherlands	Batch #	Appliance part#
	HK065520 and up	281246
	Description	
UV sterilizer		


Date	30-07-2021	Revision #	1.0
Revision	First Bill of Materials (BOM)		

Item	Description	Part#	Quantity	Remark	Picture
1	Steel plate	n/a	1		
2	Door knob	n/a	1		
3	door	n/a	1		
4	Door hinge	n/a	2		
5	Rack	n/a	1		
6	Frame	n/a	1		
7	Timer knob	955956	1	Incl. item 8, 9 and 25	
8	Timer plate	nss	1	Available as 959299	
9	Timer base plate	nss	1	Available as 959299	
10	Timer	959305	1		
11	Pull relief	n/a	1		
12	Power cord	n/a	1		
13	Lamp cover	n/a	1		
14	Grommit	n/a	1		
15	Starter	959312	1	Incl. item 16	
16	Starter holder	nss	1	Available as 959312	
17	UV Lamp	959329	1		
18	Lamp holder	n/a	1		
19	Ballast	n/a	1		
20	Microswitch	n/a	1		
21	Insulation plate	n/a	1		
22	Actuator	n/a	1		
23	Magnet	n/a	1		
24	Logo badge	n/a	1		
25	Knob insert	nss	1	Available as 959299	
26	Gasket	nss	1	Available as 205471	
27	Indicator light (green)	205471	1		

n/a -> not available

nss -> not sold separately

Circuit diagram

 <b style="font-size: 24px; margin-left: 10px;">HENDI Tools for Chefs Hendi B.V. Steenoven 21 3911 TX Rhenen The Netherlands	Batch #	Appliance part#
	HK065520 and up	281246
	Description	
	UV sterilizer	

Date	30-07-2021	Revision #	1.0
Revision	First Bill of Materials (BOM)		

