

Drawing



Tools for Chefs

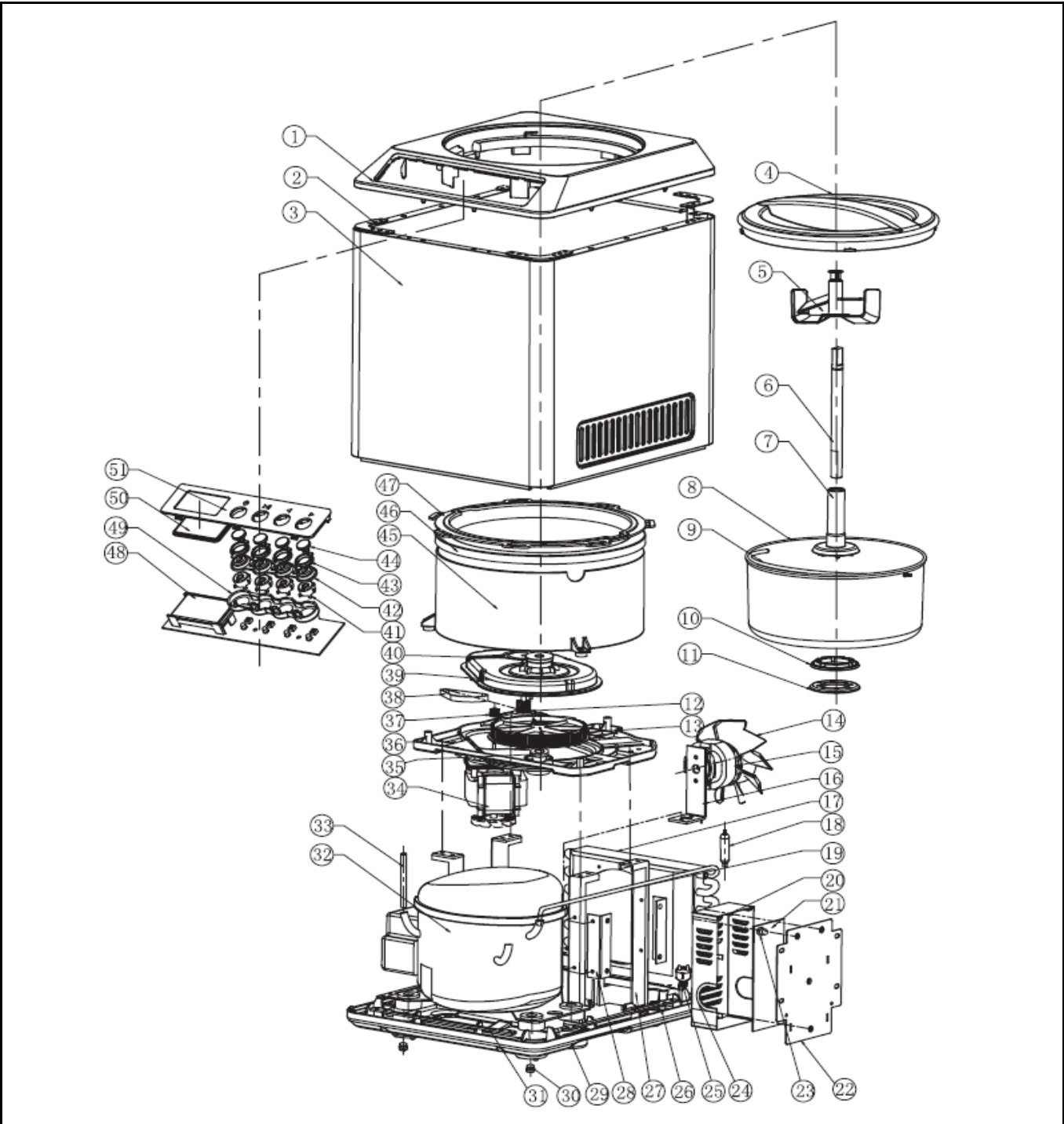
Hendi B.V.
 Steenoven 21
 3911 TX Rhenen
 The Netherlands

Batch #
 HK170333 and
 up


Appliance part#
274231

Description
Ice cream maker

| | | | |
|----------|-------------------------------|------------|-----|
| Date | 15-09-2020 | Revision # | 1.0 |
| Revision | First Bill of Materials (BOM) | | |



Bill of materials (BOM)

| | | |
|--|--------------------|------------------------|
|  <b style="font-size: 24px; margin-left: 10px;">HENDI Tools for Chefs Hendi B.V. Steenoven 21 3911 TX Rhenen The Netherlands | Batch # | Appliance part# |
| | HK170333 and up | 274231 |
| | Description | |
| Ice cream maker | | |


| | | | |
|-----------------|-------------------------------|-------------------|-----|
| Date | 15-09-2020 | Revision # | 1.0 |
| Revision | First Bill of Materials (BOM) | | |

| Item | Description | Part# | Quantity | Remark | Picture |
|------|---------------------------------|--------|----------|----------------------------|---------|
| 1 | Top cover | n/a | 1 | | |
| 2 | Bracket | n/a | 1 | | |
| 3 | Housing panel | n/a | 1 | | |
| 4 | Lid | 945001 | 1 | | |
| 5 | Mix blade | 945018 | 1 | | |
| 6 | Mix axle | n/a | 1 | | |
| 7 | Bowl axle | nss | 1 | Available as 945025 | |
| 8 | Bowl | 945025 | 1 | | |
| 9 | Bowl handle | nss | 1 | Available as 945025 | |
| 10 | Bowl sealing | nss | 1 | Available as 945025 | |
| 11 | Bowl bracket | nss | 1 | Available as 945025 | |
| 12 | Drive gear | 957875 | 1 | | |
| 13 | Synchronization gear | 957868 | 1 | | |
| 14 | Fan blade | nss | 1 | | |
| 15 | Fan motor | 957882 | 1 | | |
| 16 | Fan motor bracket | nss | 1 | | |
| 17 | Condensor | n/a | 1 | | |
| 18 | Dryer filter | n/a | 1 | | |
| 19 | Compressor exhaust | n/a | 1 | | |
| 20 | PCB housing | n/a | 1 | | |
| 21 | Main PCB | 957899 | 1 | | |
| 22 | PCB housing cover | n/a | 1 | | |
| 23 | Main PCB support | n/a | 4 | | |
| 24 | Wire tube | n/a | 1 | | |
| 25 | Power cord | n/a | 1 | | |
| 26 | Pull relief | n/a | 1 | | |
| 27 | Bracket | n/a | 1 | | |
| 28 | PCB housing basket | n/a | 1 | | |
| 29 | Housing base | n/a | 1 | | |
| 30 | Feet | n/a | 1 | | |
| 31 | Bracket | n/a | 1 | | |
| 32 | Compressor | n/a | 1 | | |
| 33 | Coolant tube | n/a | 1 | | |
| 34 | Mix blade motor | 957905 | 1 | | |
| 35 | Bearing | n/a | 2 | | |
| 36 | Transmission box cover (bottom) | n/a | 1 | | |
| 37 | Gear wheel (motor) | 957912 | 1 | | |
| 38 | Drive belt (T5-375-10) | 957929 | 1 | | |
| 39 | Transmission box cover (top) | n/a | 1 | | |
| 40 | Seal gearbox | 957936 | 1 | | |
| 41 | Button sleeve | n/a | 1 | Set of 4 | |
| 42 | Button holder | n/a | 1 | | |
| 43 | Transparent ring (buttons) | n/a | 1 | Set of 4 | |
| 44 | Button | n/a | 1 | Set of 4 | |
| 45 | Evaporator holder | n/a | 1 | | |
| 46 | Evaporator | n/a | 1 | | |
| 47 | Seal silicone evaporator | 957943 | 1 | Set of 4 | |
| 48 | Display PCB | n/a | 1 | | |
| 49 | Button bracket | n/a | 1 | | |
| 50 | Display cover | n/a | 1 | | |
| 51 | Control panel | n/a | 1 | | |
| * | Control panel complete assembly | 957950 | 1 | Incl. item 41-44 and 48-51 | |

n/a -> not available

nss -> not sold separately

Wiring diagram

| | | |
|--|--------------------|------------------------|
|  <b style="font-size: 24px; margin-left: 10px;">HENDI Tools for Chefs Hendi B.V. Steenoven 21 3911 TX Rhenen The Netherlands | Batch # | Appliance part# |
| | HK170333 and up | 274231 |
| | Description | |
| | Ice cream maker | |

| | | | |
|-----------------|-------------------------------|-------------------|-----|
| Date | 15-09-2020 | Revision # | 1.0 |
| Revision | First Bill of Materials (BOM) | | |

