

Drawing



HENDI

Tools for Chefs

Hendi B.V.

Steenoven 21
3911 TX Rhenen
The Netherlands

Batch #

000000 and up

Appliance part#

274156

Description

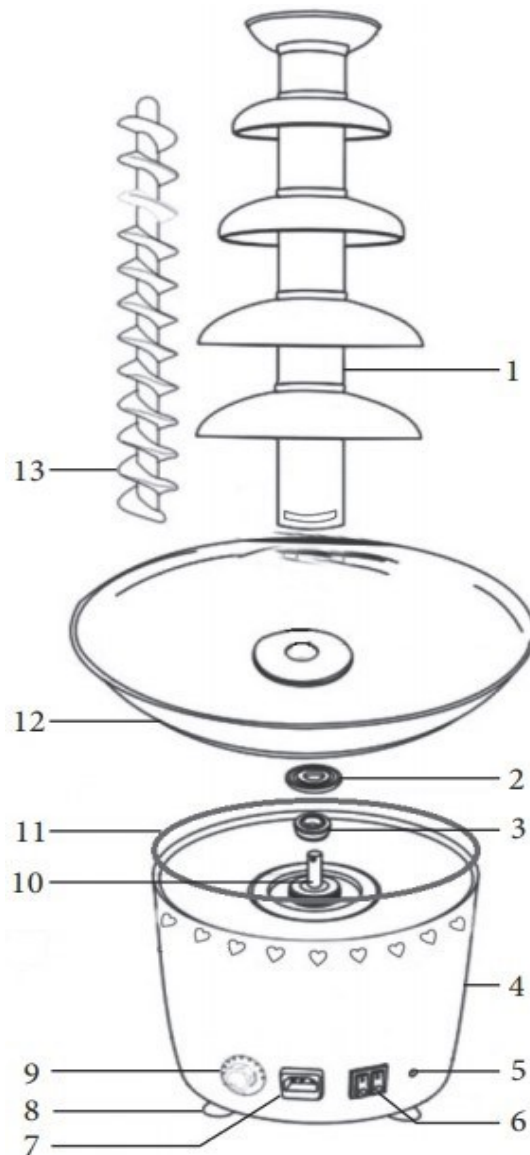
Chocolate fountain 5 tiers

Date 22-06-2021


Revision #

1.0

Revision First Bill of Materials (BOM)



Bill of materials (BOM)

 <b style="font-size: 24px; margin-left: 10px;">HENDI Tools for Chefs Hendi B.V. Steenoven 21 3911 TX Rhenen The Netherlands	Batch #	Appliance part#
	000000 and up	274156
	Description	
Chocolate fountain 5 tiers		


Date	22-06-2021	Revision #	1.0
Revision	First Bill of Materials (BOM)		

Item	Description	Part#	Quantity	Remark	Picture
1	Tower	n/a	1		
2	Silicone ring	nss	1	Available in maintenance set	
3	Oil seal	nss	1	Available in maintenance set	
4	Housing	n/a	1		
5	Fuse holder	n/a	1		
6	Switch	n/a	1		
7	Cord inlet with fuse	n/a	1	(spare fuse supplied in fuse holder)	
8	Foot	960271	3		
9	Thermostat knob	n/a	1		
10	Motor (axle)	n/a	1		
11	Seal ring	960288	1		
12	Chocolate reservoir	n/a	1		
13	Auger	n/a	1		
14	Power supply motor	960219	1	Not shown on drawing	
15	Thermostat	960226	1	Not shown on drawing	
16	Heating element	n/a	1	Not shown on drawing	
17	Power cord	900680	1	Not shown on drawing	
18	Silicone ring replacment	nss	5	Not shown on drawing	
19	Oil seal replacement	nss	5	Not shown on drawing	
20	Fuse replacement (F2.5A)	nss	1	Not shown on drawing	
21	Maintenance set	960233	1	Incl. item 18, 19 and 20	

n/a -> not available

nss -> not sold separately

Circuit diagram

 HENDI Tools for Chefs Hendi B.V. Steenoven 21 3911 TX Rhenen The Netherlands	Batch #	Appliance part#
	000000 and up	274156
	Description	
	Chocolate fountain 5 tiers	

Date	22-06-2021	Revision #	1.0
Revision	First Bill of Materials (BOM)		

Circuit diagram

