

Drawing



Tools for Chefs

Hendi B.V.
 Innovatielaan 6
 6745 XW De Klomp
 The Netherlands

Batch #

170687 until
 HK096924

Appliance part#

274149

Description

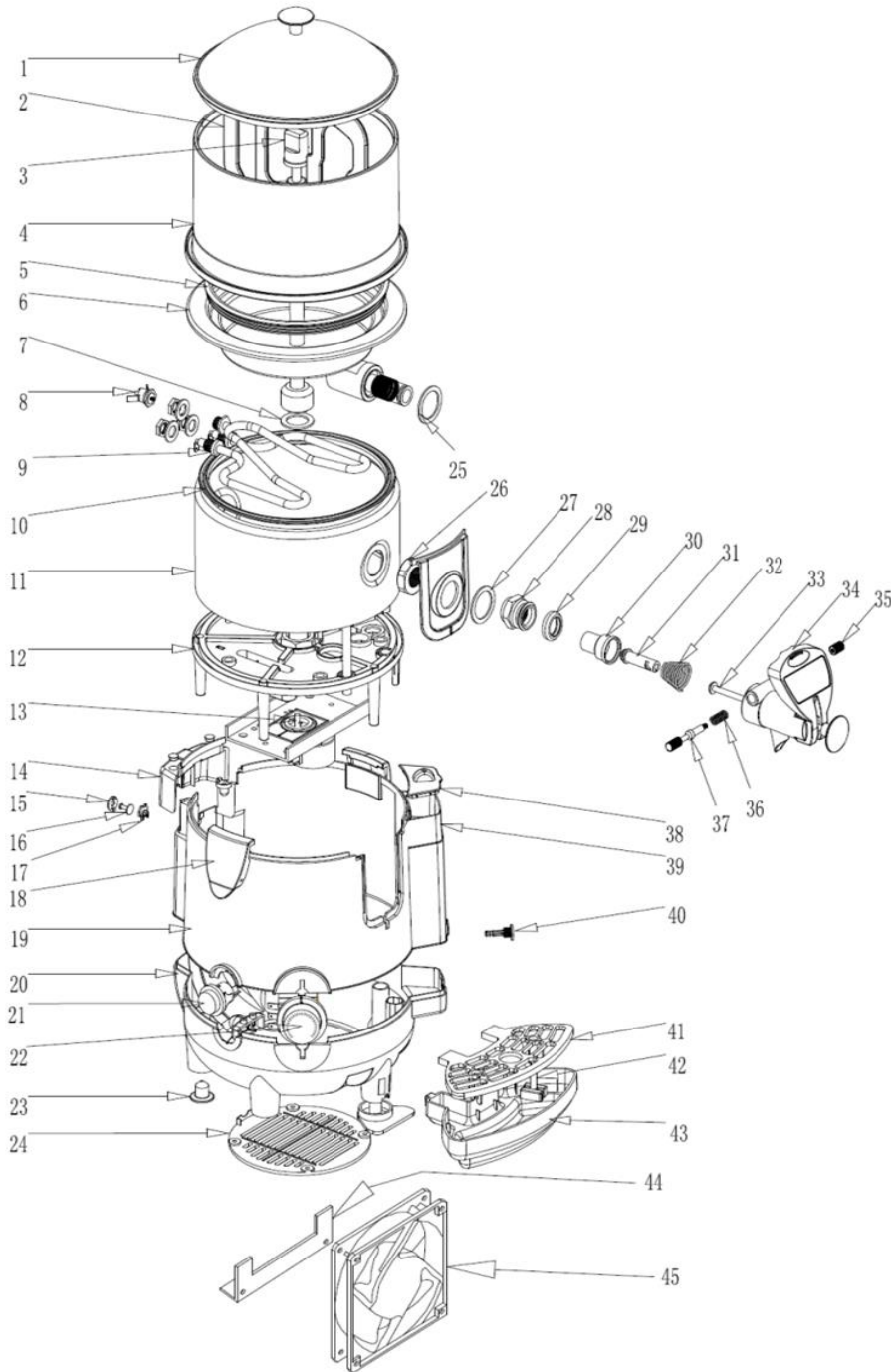
Hot Chocolate Dispencer 10L

Date 29-04-2025


Revision #

1.0

Revision First Bill of Materials (BOM)



Bill of materials (BOM)

 HENDI Tools for Chefs Hendi B.V. Innovatielaan 6 6745 XW De Klomp The Netherlands	Batch #	Appliance part#
	170687 until HK096924	274149
	Description	
Hot Chocolate Dispencer 10L		

Date	29-04-2025	Revision #	1.0
Revision	First Bill of Materials (BOM)		

Item	Description	Part#	Quantity	Remark	Picture
1	Lid	935538	1		
2	Mixing arm	947234	1		
3	Stirring rod	947241	1		
4	Container	947258	1		
5	Gasket container	935583	1		
6	Pan	935590	1		
7	Gasket	n/a	1		
8	Hi-limiter	935606	1		
9	Element 230V 1006W	935613	1		
10	Gasket	n/a	1		
11	Upper housing	n/a	1		
12	Bracket	n/a	1		
13	Motor	935620	1		
14	Back cover	n/a	1		
15	Cover hi-limiter	951590	1	Incl item 16	
16	Push rod	nss	1	Available as 951590	
17	Stopper	n/a	1		
18	Hinge	943373	2		
19	Midlde housing	n/a	1		
20	Lower housing	n/a	1		
21	Switch on/off	935637	1		
22	Thermostat	935644	1		
23	Foot	n/a	3		
24	Bottom cover	n/a	1		
25	Washer	n/a	1		
26	Nut	nss	1	Available as 935668	
27	Gasket	nss	1	Available as 935668	
28	Nut	nss	1	Available as 935668	
29	Seat sealing	935651	1	Also in set 935668	
30	Sealing	n/a	1	Available as 935668	
31	Pin	nss	1	Available as 935668	
32	Spring	nss	1	Available as 935668	
33	Shaft	nss	1	Available as 935668	
34	Faucet	935668	1	Incl item 26,27,28,29,30,31,32,33,34,35,36,37	
35	Screw	nss	1	Available as 935668	
36	Spring	nss	1	Available as 935668	
37	Pin	nss	1	Available as 935668	
38	Lid watertank	935675	1		
39	Water container	n/a	1		
40	Drain plug	935682	1		
41	Lid dripray	nss	1	Available as 935699	
42	Dripray level indicator	nss	1	Available as 935699	
43	Dripray complete assembly	935699	1	Incl item 41,42	
44	Bracket	n/a	1		
45	Fan	939963	1		

n/a -> not available

nss -> not sold separately

Circuit diagram



Hendi B.V.
 Innovatielaan 6
 6745 XW De Klomp
 The Netherlands

Tools for Chefs

Batch #

170687 until
 HK096924

Appliance part#

274149

Description

Hot Chocolate Dispencer 10L

Date	29-04-2025	Revision #	1.0
Revision	First Bill of Materials (BOM)		

Electric Wiring Diagram

