

Drawing

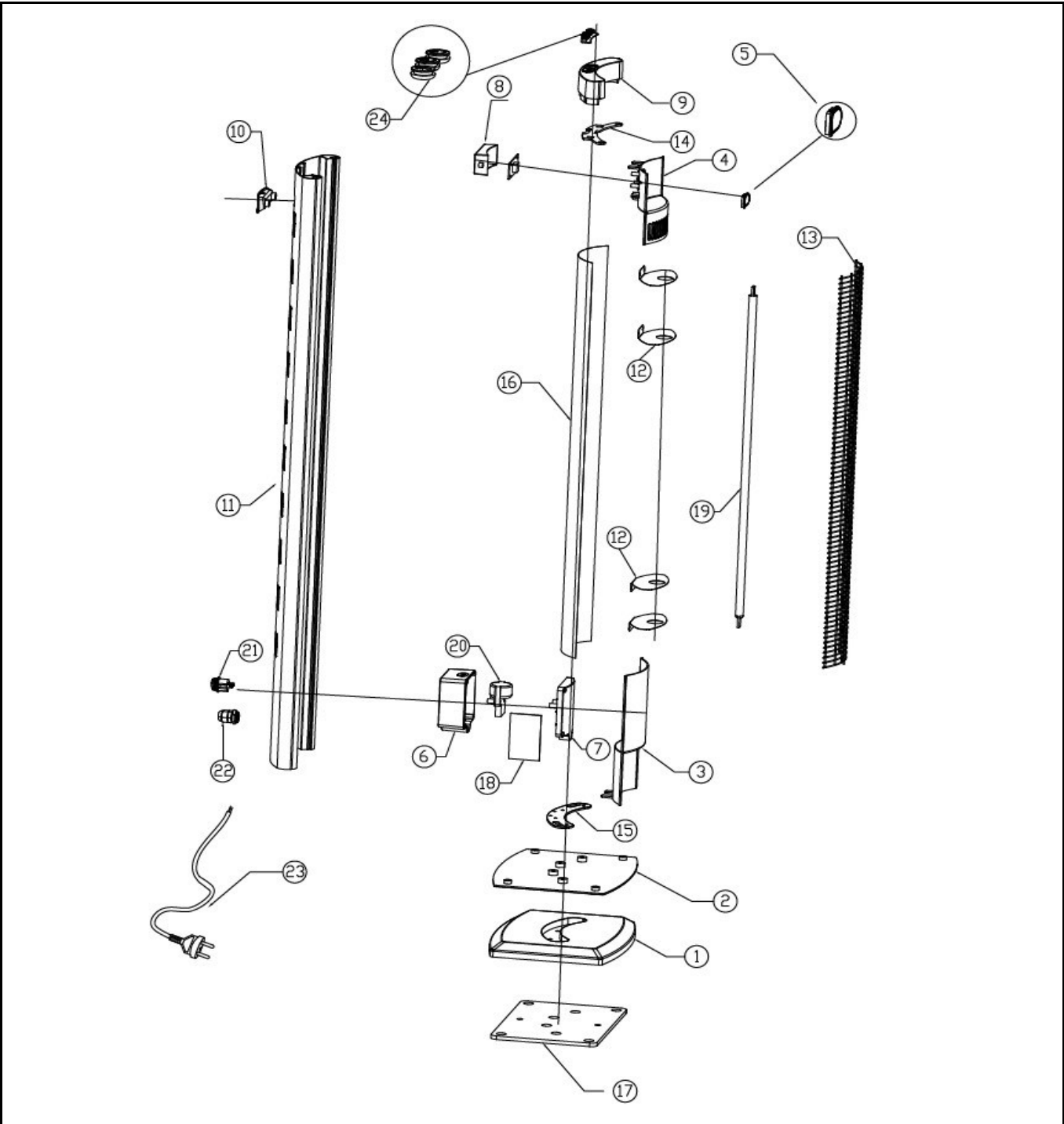


Tools for Chefs


Hendi B.V.  
 Steenoven 21  
 3911 TX Rhenen  
 The Netherlands

Batch #	Appliance part#
000000 and up	272435
Description	
Infrared Patio heater vertical "Tornado"	

Date	12-11-2021	Revision #	1.0
Revision	First Bill of Materials (BOM)		



### Bill of materials (BOM)

 <b style="font-size: 24px; margin-left: 10px;">HENDI</b> <small style="color: green; margin-left: 10px;">Tools for Chefs</small> <b>Hendi B.V.</b> Steenoven 21 3911 TX Rhenen The Netherlands	<b>Batch #</b>	<b>Appliance part#</b>
	000000 and up	<b>272435</b>
	<b>Description</b>	
	<b>Infrared Patio heater vertical "Tornado"</b>	


<b>Date</b>	12-11-2021	<b>Revision #</b>	1.0
<b>Revision</b>	First Bill of Materials (BOM)		

Item	Description	Part#	Quantity	Remark	Picture
1	Housing base	n/a	1		
2	Housing base cover	n/a	1		
3	Housing cover (front-bottom)	n/a	1		
4	Housing cover (front-top)	n/a	1		
5	Display PCB	961599	1		
6	Safety switch box	n/a	1		
7	Safety switch box cover	n/a	1		
8	Control PCB box	n/a	1		
9	Housing cover (top)	n/a	1		
10	Handle	n/a	1		
11	Heater housing	n/a	1		
12	Heater bracket	n/a	4		
13	Protective wire cover	n/a	1		
14	Bracket housing cover (top)	n/a	1		
15	Bracket housing cover (bottom)	n/a	1		
16	Reflector	n/a	1		
17	Housing cover (bottom)	n/a	1		
18	Main PCB	961605	1		
19	Heater	961612	1		
20	Safety switch	961629	1		
21	Switch (power)	961636	1		
22	Pull relief	n/a	1		
23	Power cord	n/a	1		
24	Control PCB	961643	2		
*	Remote	961667	1	Not shown in drawing	
*	Hi-limiter	961650	1		

n/a -> not available

nss -> not sold separately

### Circuit diagram

 <b style="font-size: 24px; margin-left: 10px;">HENDI</b> <span style="color: #808000; font-size: 12px; margin-left: 10px;">Tools for Chefs</span> <b>Hendi B.V.</b> Steenoven 21 3911 TX Rhenen The Netherlands	<b>Batch #</b>	<b>Appliance part#</b>
	000000 and up	<b>272435</b>
	<b>Description</b>	
	Infrared Patio heater vertical "Tornado"	

<b>Date</b>	12-11-2021	<b>Revision #</b>	1.0
<b>Revision</b>	First Bill of Materials (BOM)		

