

Drawing



Tools for Chefs

Hendi B.V.

Steenoven 21
3911 TX Rhenen
The Netherlands

Batch #

HK170677 until
HK045519

Appliance part#

264706

Description

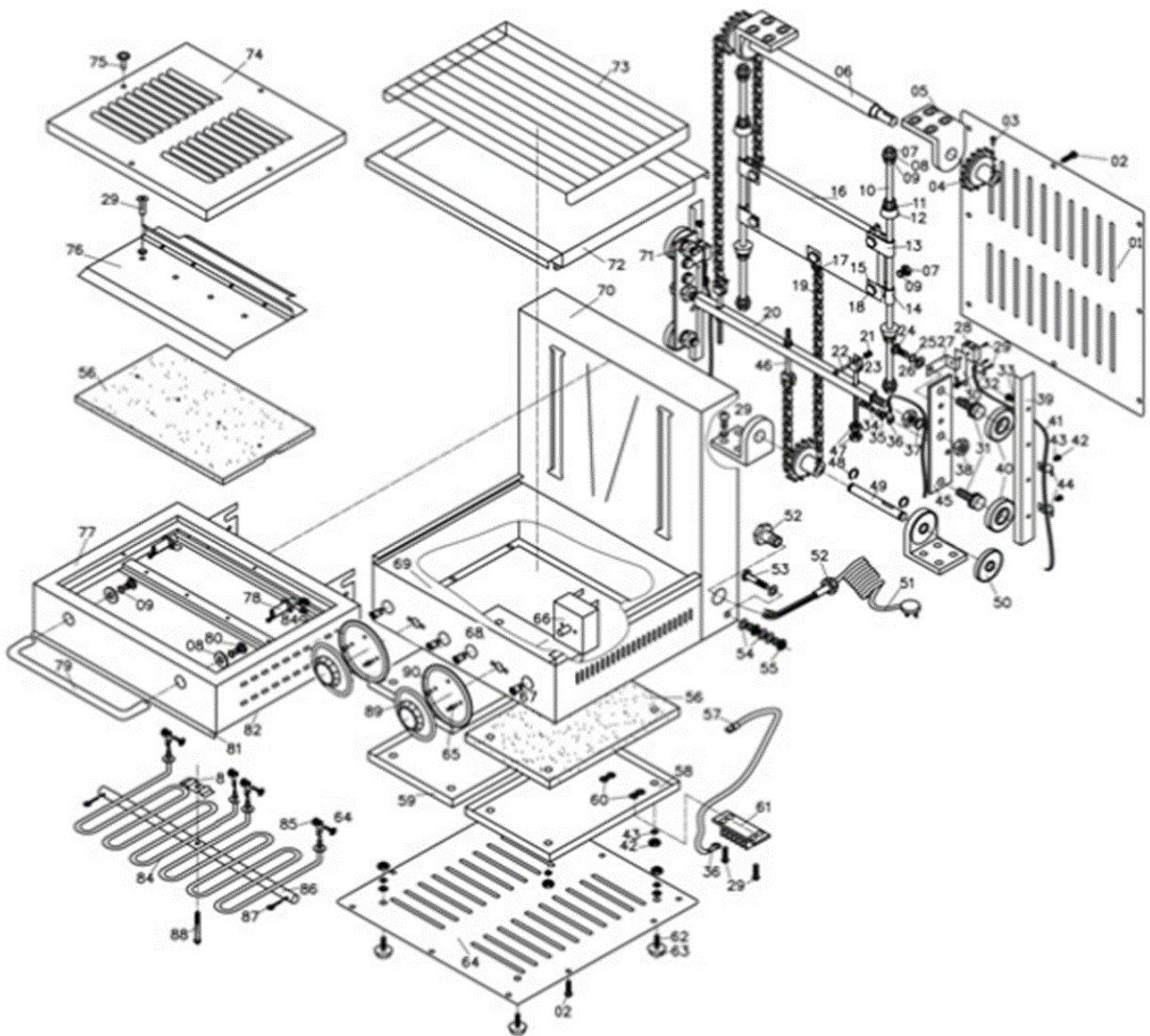
Salamander 600

Date 04-05-2021


Revision #

1.1

Revision New knob.



Bill of materials (BOM)

 <b style="font-size: 24px; margin-left: 10px;">HENDI <small style="color: green; margin-left: 10px;">Tools for Chefs</small> Hendi B.V. Steenoven 21 3911 TX Rhenen The Netherlands	Batch #	Appliance part#
	HK170677 until HK045519	264706
	Description	
Salamander 600		

Date	04-05-2021	Revision #	1.1
Revision	New knob.		


Item	Description	Part#	Quantity	Remark	Picture
1	Back Housing Cover	n/a	1		
2	Screw for Back Housing Cover	n/a	8		
3	Screw	n/a	2		
4	Small Gear for lift	n/a	2		
5	Base Bracket	n/a	2		
6	Gear Wheel with Axle (Top)	n/a	1		
7	Nut	n/a	1		
8	Washer	n/a	2		
9	Spring Washer	n/a	2		
10	Guide Rod	n/a	2		
11	Rubber Washer	n/a	2		
12	Rubber Bumper	n/a	2		
13	Bushing Bracket for Lift (with suspension loop)	n/a	2		
14	Bushing for Lift	n/a	2		
15	Bushing Bracket for Lift (without suspension loop)	n/a	2		
16	Counterweight	n/a	1		
17	Chain Bracket	n/a	1		
18	Bolt	n/a	2		
19	Chain for Lift	n/a	3		
20	Chain Support Bracket	n/a	1		
21	Nut	n/a	1		
22	Stainless Steel Screw	n/a	1		
23	Chain Guide Bracket	n/a	1		
24	Hex Bolt	n/a	1		
25	Spring Washer	n/a	1		
26	Washer	n/a	1		
27	Bracket	n/a	1		
28	Terminal (Small for heating element)	n/a	1		
29	Screw	n/a	1		
30	Insulation Plate	n/a	2		
31	Bearing Axle	n/a	4		
32	Nut	n/a	1		
33	Spring Washer	n/a	1		
34	Screw	n/a	1		
35	Washer	n/a	1		
36	Pin	n/a	2		
37	Spring Washer	n/a	2		
38	Nut	n/a	2		
39	Guide Rail Side Bracket	n/a	2		
40	Ball Bearing (Big)	n/a	4		
41	Spring Thread Tube	930052	2		
42	Nut	n/a	8		
43	Spring Washer	n/a	8		
44	Spring Thread Tube Mount	n/a	4		
45	Ball Bearing Mounting Plate	n/a	2		
46	Chain Bracket Bolt	n/a	1		
47	Nut	n/a	1		
48	Circlip	n/a	2		
49	Gear Wheel with Axle (Bottom)	n/a	1		
50	Ball Bearing (Small)	n/a	2		
51	Power Cord	912027	1		
52	Power Cord Retention	912201	1		
53	PE Copper Screw	n/a	1		
54	PE Copper Washer	n/a	1		

55	PE Copper Nut	n/a	1	
56	Insulation Blanket	n/a	1	
57	Wire Harness	n/a	1	
58	Heat Shield	n/a	1	
59	Heat Shield	n/a	1	
60	Nut	n/a	4	
61	Terminal (Large for main power)	n/a	1	
62	Hex Bolt	n/a	1	
63	Foot	n/a	4	
64	Bottom Cover	n/a	1	
65	Screw	n/a	8	
66	Energy Regulator	201121	2	
67	Heating Indicator	912003	2	
68	Power Indicator	205471	2	
69	Bottom Housing	n/a	1	
70	Back Housing	n/a	1	
71	Washer	n/a	4	
72	Oil Tray	926819	1	
73	Grid	926826	1	
74	Upper Housing Cover	n/a	1	
75	Screw for Upper Housing Cover	n/a	6	
76	Upper Heat Shield	n/a	1	
77	Upper Housing	n/a	1	
78	Porcelain Stand-off	n/a	2	
79	Handle	927540	1	Incl. Item 80
80	Hex Bolt	n/a	2	
81	Heat Reflector (Front)	n/a	1	
82	Heat Reflector (Back)	n/a	1	
83	Heating Element Mounting Bracket	n/a	2	
84	Heating Element 1800W	901717	2	
85	Nut & Washer	n/a	2	
86	Heating Element Support	n/a	1	
87	Linchpin	n/a	1	
88	Screw	n/a	2	
89	Knob with Backplate	n/a	2	Knob updated to new design (904466)
90	Backplate for Knob	nss	2	

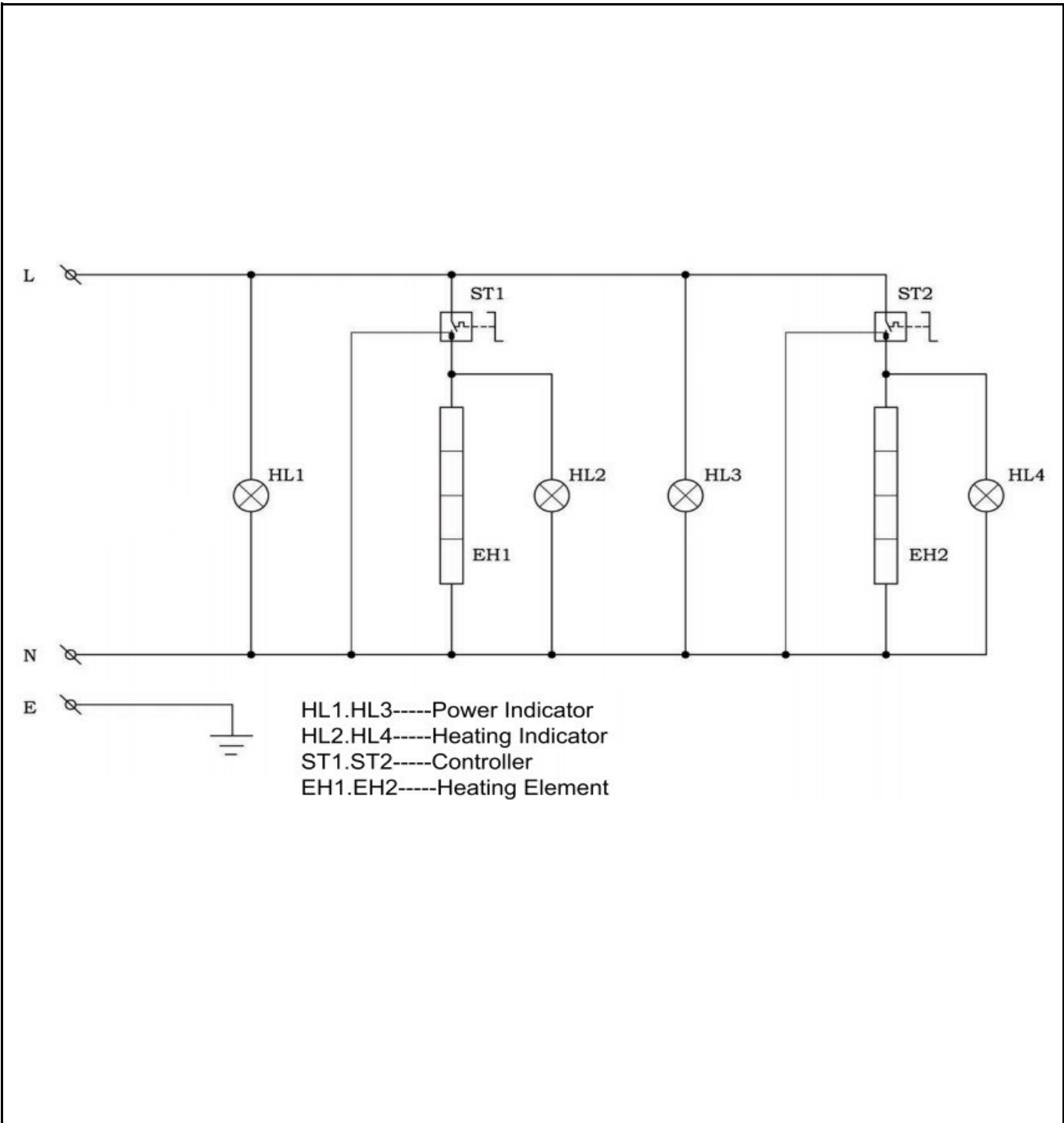
n/a -> not available

nss -> not sold separately


Circuit diagram

 <b style="font-size: 24px; margin-left: 10px;">HENDI Tools for Chefs Hendi B.V. Steenoven 21 3911 TX Rhenen The Netherlands	Batch #	Appliance part#
	HK170677 until HK045519	264706
	Description	
	Salamander 600	

Date	04-05-2021	Revision #	1.1
Revision	New knob.		



Wiring diagram

 <b style="font-size: 24px; margin-left: 10px;">HENDI Tools for Chefs Hendi B.V. Steenoven 21 3911 TX Rhenen The Netherlands	Batch #	Appliance part#
	HK170677 until HK045519	264706
	Description	
	Salamander 600	

Date	04-05-2021	Revision #	1.1
Revision	New knob.		

