

Drawing



Tools for Chefs

Hendi B.V.
 Steenoven 21
 3911 TX Rhenen
 The Netherlands

Batch #

HK083719 and
 up

Appliance part#

264201

Description

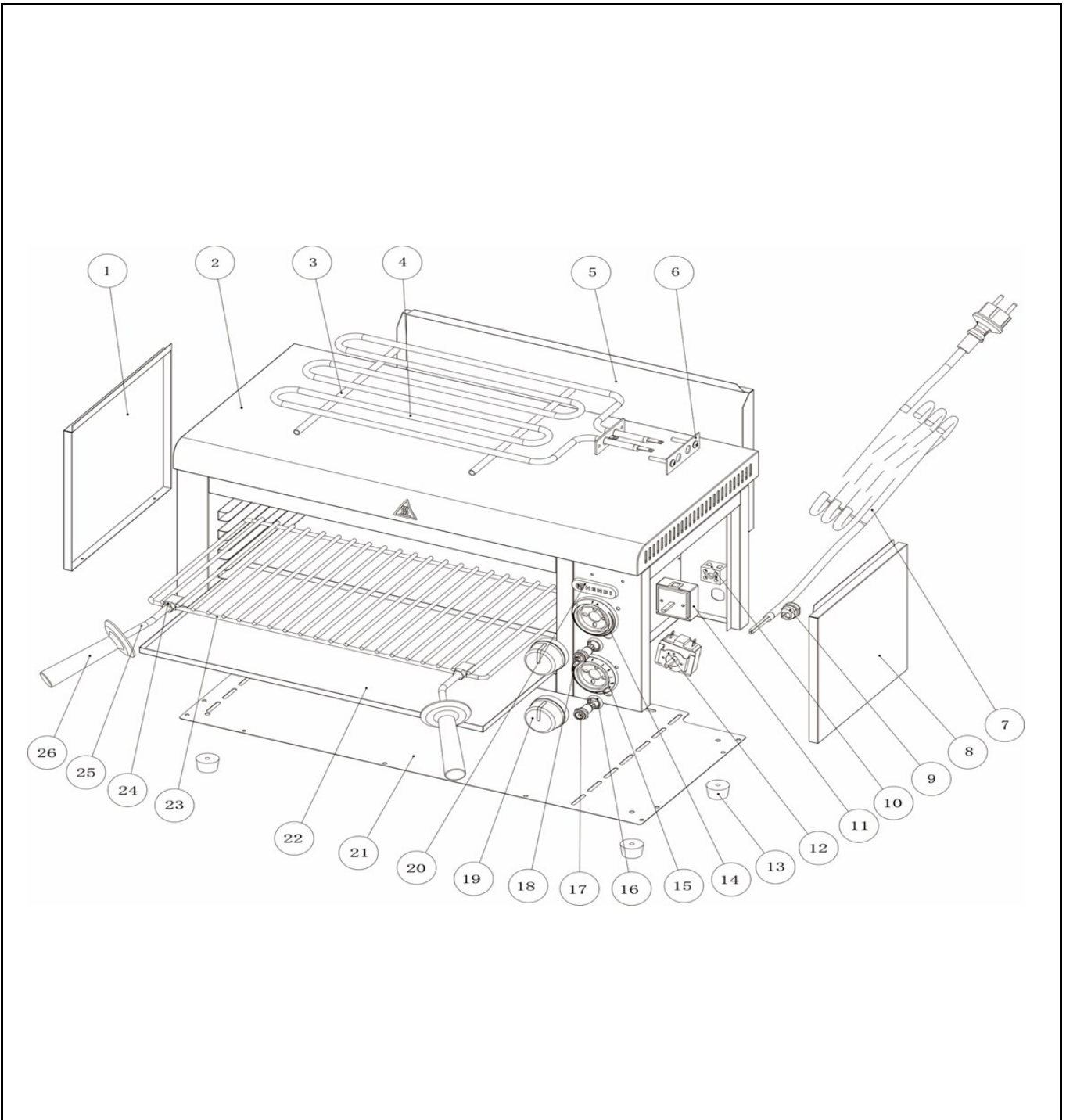
Salamander type 580

Date 04-05-2021


Revision #

1.1

Revision Updated control panel and circuit diagram.



Bill of materials (BOM)

 <b style="font-size: 24px; margin-left: 10px;">HENDI Tools for Chefs Hendi B.V. Steenoven 21 3911 TX Rhenen The Netherlands	Batch #	Appliance part#
	HK083719 and up	264201
	Description	
Salamander type 580		


Date	04-05-2021	Revision #	1.1
Revision	Updated control panel and circuit diagram.		

Item	Description	Part#	Quantity	Remark	Picture
1	Left cover	n/a	1		
2	Housing	n/a	1		
3	Holder element	n/a	2		
4	Heating element	901731	1		
5	Back cover	n/a	1		
6	Heating element bracket	n/a	1		
7	Power cord	912027	1		
8	Right cover	n/a	1		
9	Cord inlet with retention	912201	1		
10	Terminal	n/a	1		
11	Energy regulator	943366	1		
12	Timer	943359	1		
13	Feet	921159	4	Set of 4	
14	Knob regulator	943342	1	Incl. item 19	
15	Knob timer	943335	1	Incl. item 19	
16	O-ring	nss	2	Available as 930533 and 942925	
17	Indicator light (green)	942925	1	Incl. item 16	
18	Indicator light (orange)	930533	1	Incl. item 16	
19	Knob	nss	2	Available as 943342 and 943335	
20	Logo badge Hendi	955963	1		
21	Bottom cover	n/a	1		
22	Crumb tray	n/a	1		
23	Grid	904459	1		
24	Nut	nss	2	Available as 904435	
25	Handle rod	nss	2	Available as 904435	
26	Plastic handle	904435	2	Incl. item 24 and 25	

n/a -> not available

nss -> not sold separately

Circuit diagram

 HENDI Tools for Chefs Hendi B.V. Steenoven 21 3911 TX Rhenen The Netherlands	Batch #	Appliance part#
	HK083719 and up	264201
	Description	
Salamander type 580		

Date	04-05-2021	Revision #	1.1
Revision	Updated control panel and circuit diagram.		

