
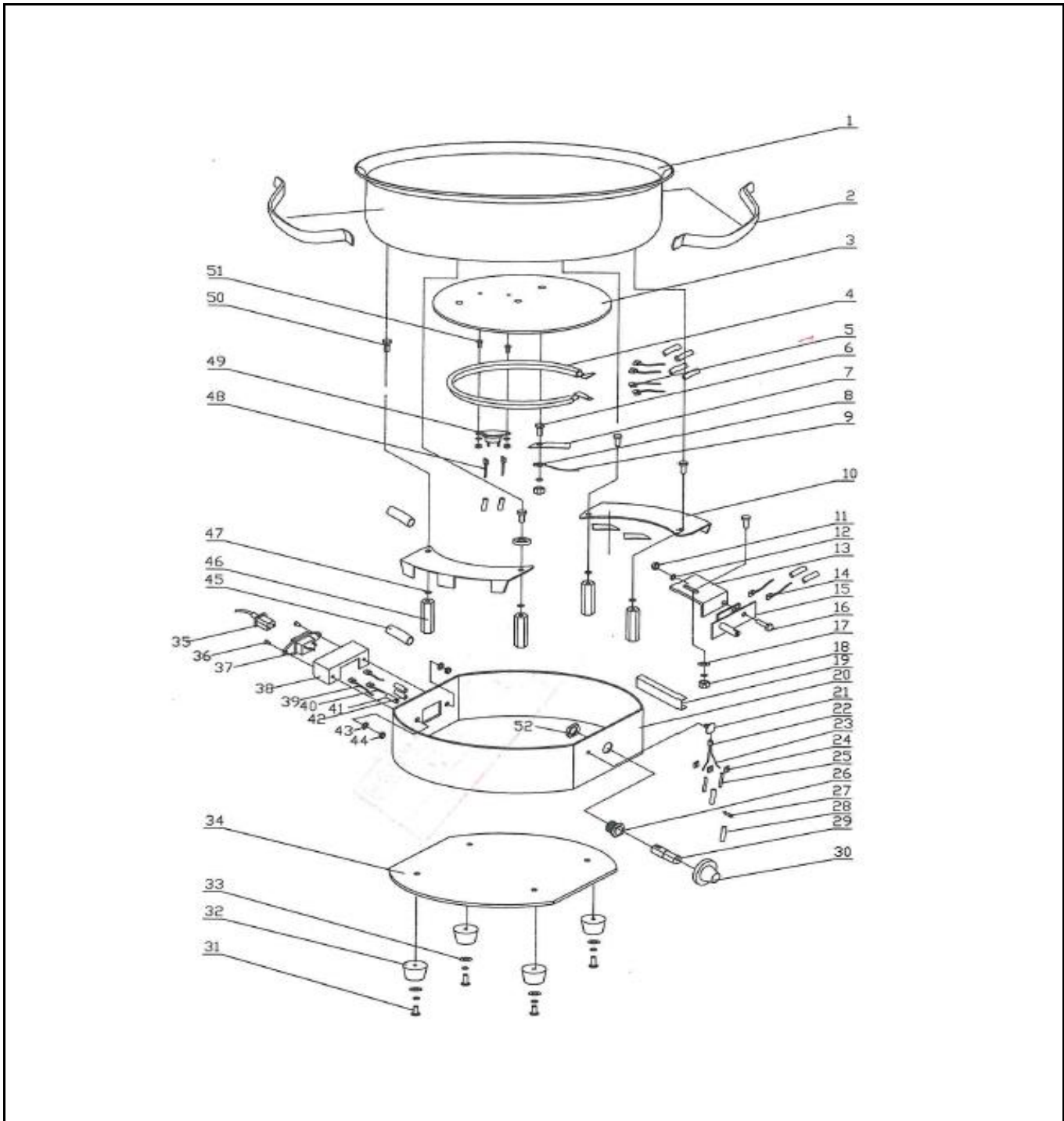



Drawing

 HENDI FOOD SERVICE EQUIPMENT Hendi B.V. Steenoven 21 3911 TX Rhenen The Netherlands	Batch #	Appliance part#
	301675 and up	239902
	Description	
	Chafing dish electric "Savoi"	

Date	01-04-2016	Revision #	Revision version
Revision	First bill of materials (BOM)		



Bill of materials (BOM)

 Hendi B.V. Steenoven 21 3911 TX Rhenen The Netherlands	Batch #	Appliance part#
	301675 and up	239902
	Description	
	Chafing dish electric "Savoi"	

Date	01-04-2016	Revision #	Revision version
Revision	First bill of materials (BOM)		


Item	Description	Part#	Quantity	Remark	Picture
1	Water pan	n/a	1		
2	Handle	n/a	2		
3	Aluminium plate	n/a	1		
4	Soldered element 240V 1000W	n/a	1		
5	Terminal 4,8mm	n/a	2		
6	Screw M5x14	n/a	2		
7	Bracket	n/a	2		
8	Terminal Ø5mm	n/a	1		
9	Wiring ground	n/a	1		
10	Bracket	n/a	2		
11	Nut M4	n/a	1		
12	Spring washer M4	n/a	1		
13	Bracket	n/a	1		
14	Terminal 4,8mm	n/a	7		
15	Thermostat	204740	1		
16	Screw M4x30	n/a	1		
17	Washer M5	n/a	1		
18	Nut M5	n/a	2		
19	Bracket	n/a	1		
20	Lower housing	n/a	1		
21	Indicator light cover	n/a	1		
22	Indicator light	n/a	1		
23	Wiring indicator light	n/a	2		
24	Terminal	n/a	3		
25	Heat shrinkable tubing	n/a	2		
26	Screw M10	n/a	1		
27	Resistance	n/a	1		
28	Heat shrinkable tubing	n/a	1		
29	Pin Ø6,5x28	n/a	1		
30	Knob	860151	1		
31	Screw M4x20	n/a	4		
32	Foot	n/a	4		
33	Washer M4	n/a	4		
34	Bottom cover	n/a	1		
35	Power cable	900680	1		
36	Screw M3x10	n/a	2		
37	Socket	n/a	1		
38	Cover	n/a	1		
39	Wiring (white)	n/a	2		
40	Wiring (red)	n/a	2		
41	Heat shrinkable tubing	n/a	8		
42	Heat shrinkable tubing	n/a	2		
43	Spring washer M3	n/a	4		
44	Nut M3	n/a	4		
45	Insulation sleeve	n/a	2		
46	Spacer	n/a	4		
47	Spring washer M5	n/a	2		
48	Terminal 6,3mm	n/a	2		
49	Hi-limiter	n/a	1		
50	Washer Ø7x4	n/a	4		
51	Screw M5x13	n/a	4		
52	Screw M3x8	n/a	2		
53	Nut M10	n/a	1		
*	Food pan	239940	1		

*	Lid glass Ø380mm	239926	1		

n/a -> not available

nss -> not sold separately

Wiring diagram

 <b style="font-size: 2em; font-weight: bold; margin-left: 10px;">HENDI <small style="margin-left: 10px;">FOOD SERVICE EQUIPMENT</small> Hendi B.V. Steenoven 21 3911 TX Rhenen The Netherlands	Batch #	Appliance part#
	301675 and up	239902
	Description	
	Chafing dish electric "Savoi"	

Date	01-04-2016	Revision #	Revision version
Revision	First bill of materials (BOM)		

