

Drawing



HENDI

Tools for Chefs

Hendi B.V.

Steenoven 21
3911 TX Rhenen
The Netherlands

Batch #

000000 and up

Appliance part#

239452

Description

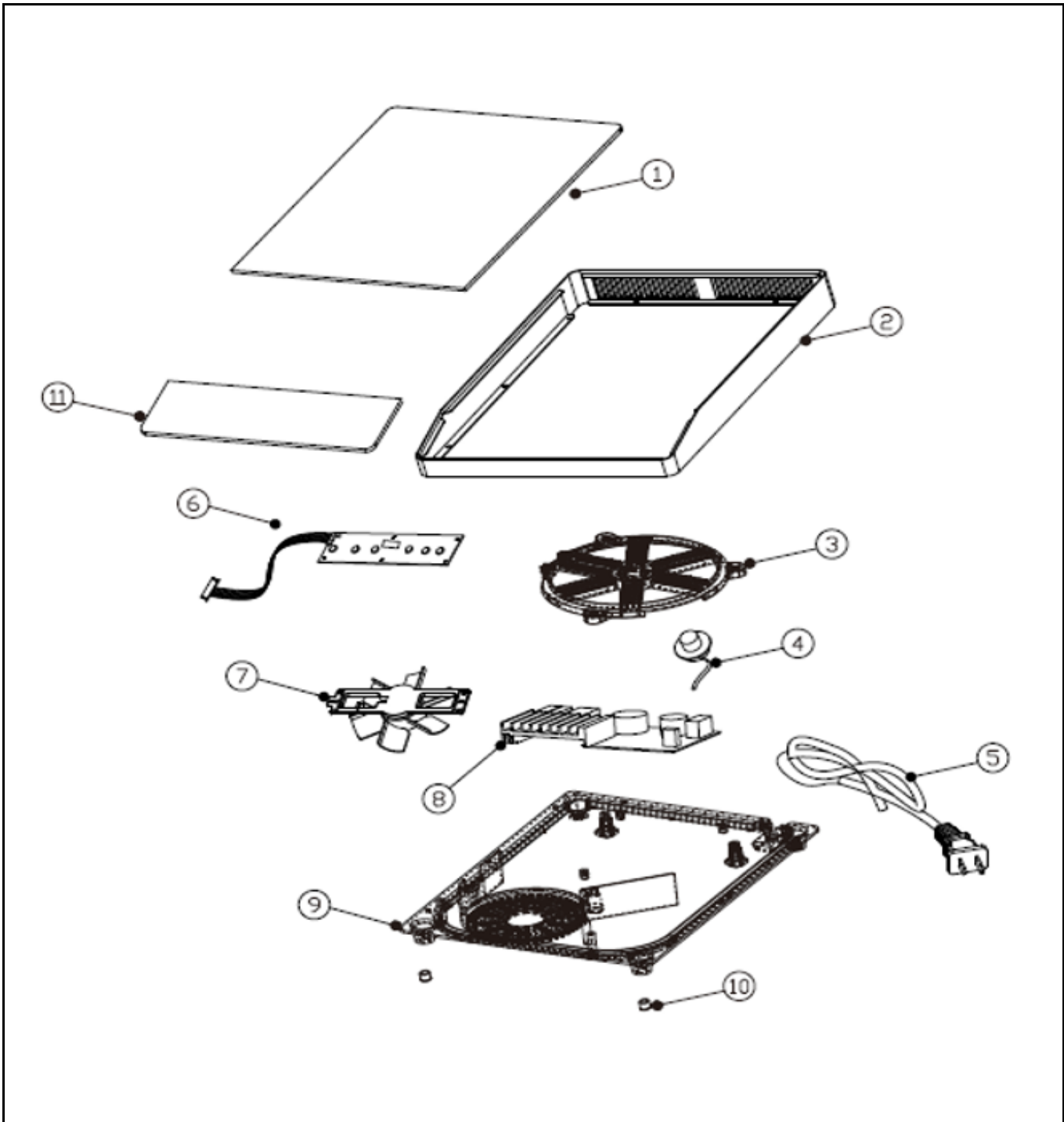
Induction cooker 2000W Oblique Line

Date 30-06-2020


Revision #

1.0

Revision First Bill of Materials (BOM)



Bill of materials (BOM)

 HENDI Tools for Chefs Hendi B.V. Steenoven 21 3911 TX Rhenen The Netherlands	Batch #	Appliance part#
	000000 and up	239452
	Description	
	Induction cooker 2000W Oblique Line	

Date	30-06-2020	Revision #	1.0
Revision	First Bill of Materials (BOM)		

Item	Description	Part#	Quantity	Remark	Picture
1	Ceramic glass plate (top)	n/a	1		
2	Upper housing	n/a	1		
3	Induction coil	n/a	1		
4	Sensor assembly	n/a	1		
5	Power cord	n/a	1		
6	Display PCB	n/a	1		
7	Fan	919446	1		
8	Main PCB	n/a	1		
9	Lower housing	n/a	1		
10	Feet (set of 4)	917367	1		
11	Ceramic glass plate (display)	n/a	1		

n/a -> not available

nss -> not sold separately

Wiring diagram



Tools for Chefs

Hendi B.V.
Steenoven 21
3911 TX Rhenen
The Netherlands

Batch #

000000 and up

Appliance part#

239452

Description

Induction cooker 2000W Oblique Line

Date 30-06-2020

Revision #

1.0

Revision First Bill of Materials (BOM)

