

Drawing



Tools for Chefs

Hendi B.V.
Innovatielaan 6
6745 XW De Klomp
The Netherlands

Batch #

V.02

Appliance part#

238905

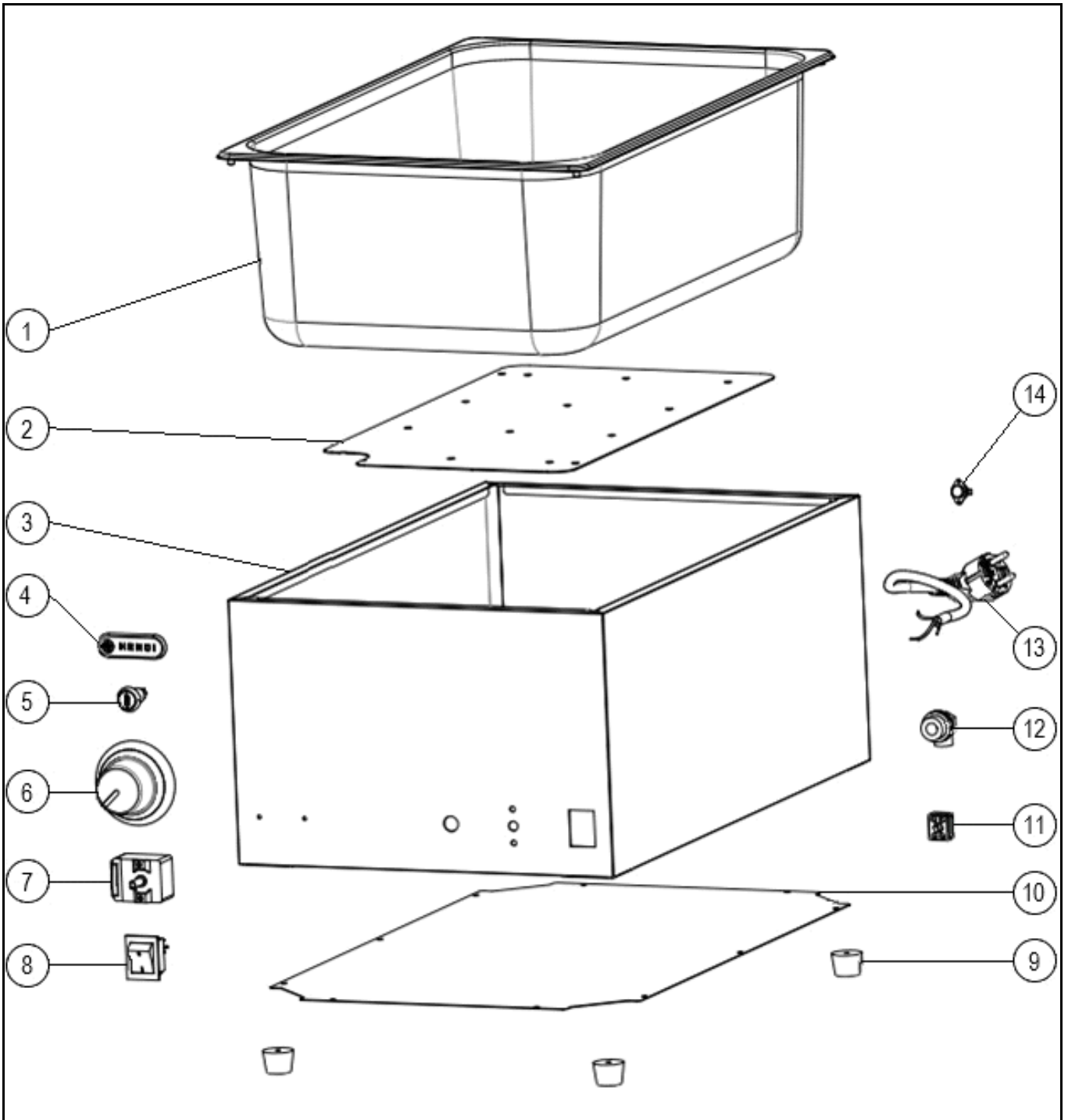
Description

Bain Marie


Date 30-01-2024

Revision # 2.0

Revision New model.



Bill of materials (BOM)

 HENDI <small>Tools for Chefs</small> Hendi B.V. Innovatielaan 6 6745 XW De Klomp The Netherlands	Batch #	Appliance part#
	V.02	238905
	Description	
	Bain Marie	


Date	30-01-2024	Revision #	2.0
Revision	New model.		

Item	Description	Part#	Quantity	Remark	Picture
1	Bin	n/a	1		
2	Heating element	n/a	1		
3	Frame	n/a	1		
4	Logo badge "Hendi"	955963	1		
5	Indicator light	912003	1		
6	Thermostat knob	964408	1		
7	Thermostat	964699	1		
8	Switch	205426	1		
9	Feet	964705	4	Set of 4 pcs	
10	Housing cover (bottom)	n/a	1		
11	Terminal	930540	1		
12	Pull relief	n/a	1		
13	Power cord	n/a	1		
14	Hi-limiter (100°C)	964712	2		

n/a -> not available

nss -> not sold separately

Circuit diagram

 HENDI Tools for Chefs Hendi B.V. Innovatielaan 6 6745 XW De Klomp The Netherlands	Batch #	Appliance part#
	V.02	238905
	Description	
	Bain Marie	

Date	30-01-2024	Revision #	2.0
Revision	New model.		

