

Drawing



Tools for Chefs

Hendi B.V.

Steenoven 21
3911 TX Rhenen
The Netherlands

Batch #

181295 and up

Appliance part#

233955

Description

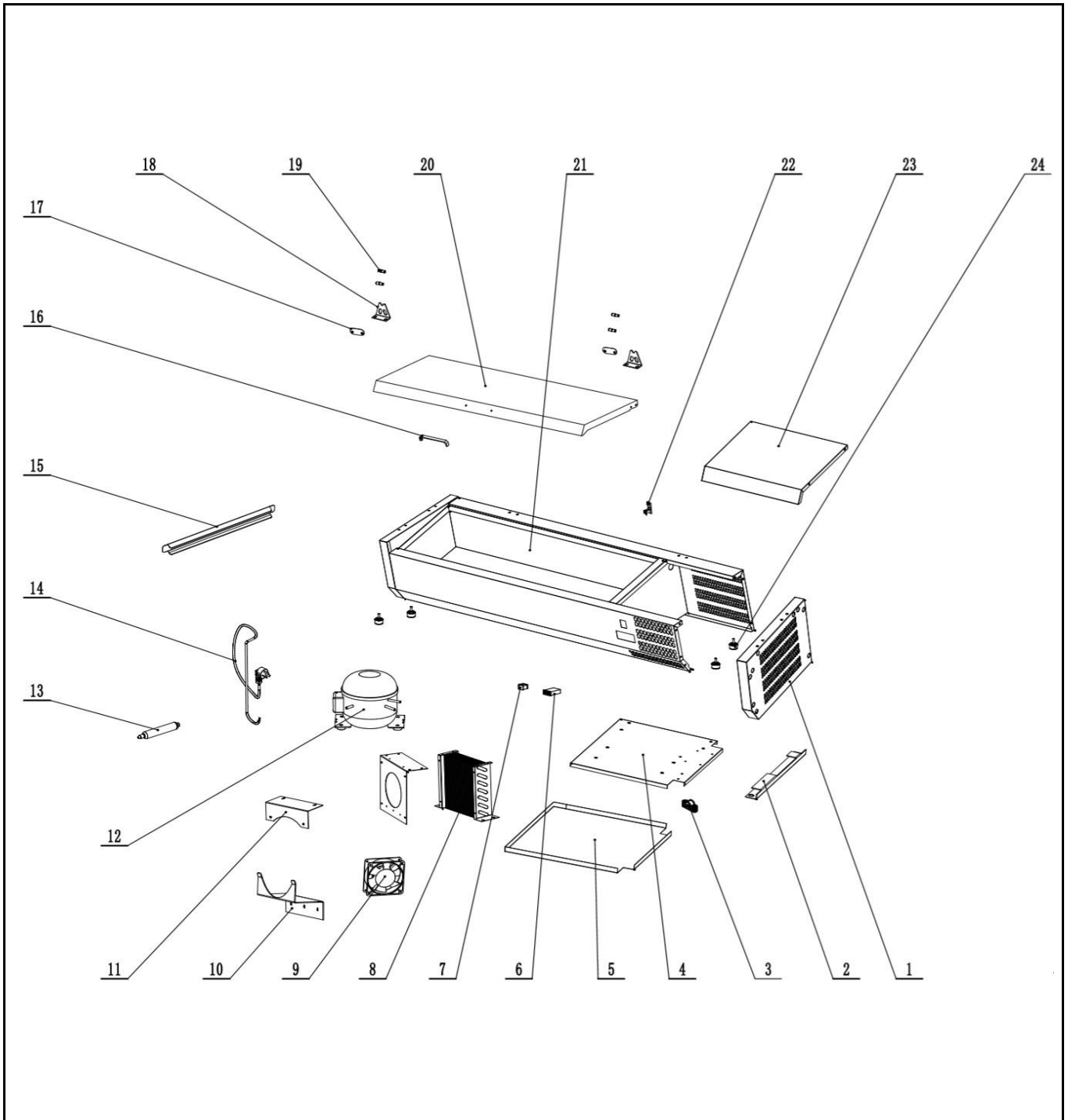
Refrigerated countertop server 6x GN $\frac{1}{3}$ with stainless steel lid

Date 19-08-2020


Revision #

1.0

Revision First Bill of Materials (BOM)



Bill of materials (BOM)

 <b style="font-size: 24px; margin-left: 10px;">HENDI Tools for Chefs Hendi B.V. Steenoven 21 3911 TX Rhenen The Netherlands	Batch #	Appliance part#
	181295 and up	233955
	Description	
Refrigerated countertop server 6x GN $\frac{1}{3}$ with stainless steel lid		

Date	19-08-2020	Revision #	1.0
Revision	First Bill of Materials (BOM)		

Item	Description	Part#	Quantity	Remark	Picture
1	Side cover	n/a	1		
2	Bracket side cover	n/a	1		
3	Pull relief	n/a	1		
4	Bracket	n/a	1		
5	Bottom cover	n/a	1		
6	Digital controller	956366	1		
7	Switch	205426	1		
8	Condensor	n/a	1		
9	Fan	931875	1		
10	Lower bracket fan	n/a	1		
11	Upper bracket fan	n/a	1		
12	Compressor (HYB81MHUa)	n/a	1		
13	Dryer filter	n/a	1		
14	Power cord	931554	1		
15	Adpater bar	952313	1	(25x330mm	
16	Lid handle	956786	1		
17	Support plate	n/a	4		
18	Hinge	n/a	2		
19	Hinge axis	n/a	2		
20	Lid	n/a	1		
21	Frame	n/a	1		
22	Holder probe	n/a	1		
23	Top cover	n/a	1		
24	Feet	931523	4		

n/a -> not available

nss -> not sold separately

Circuit diagram



Hendi B.V.
 Steenoven 21
 3911 TX Rhenen
 The Netherlands

Tools for Chefs

Batch #
 181295 and up

Appliance part#
233955

Description
 Refrigerated countertop server 6x GN $\frac{1}{3}$ with stainless steel lid

Date	19-08-2020	Revision #	1.0
Revision	First Bill of Materials (BOM)		

