

Drawing



HENDI

Tools for Chefs

Hendi B.V.

Steenoven 21
3911 TX Rhenen
The Netherlands

Batch #

000000 and up

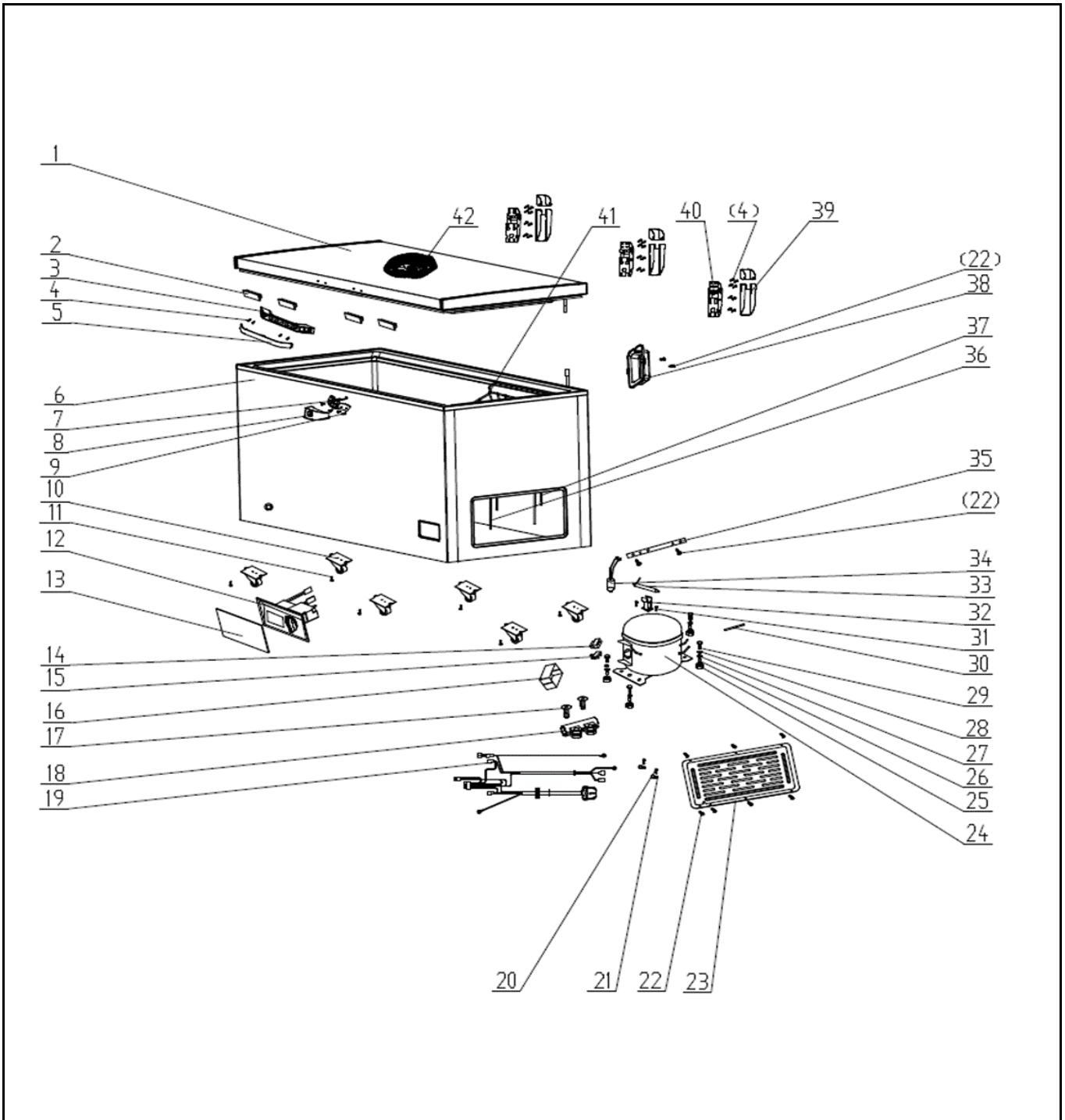
Appliance part#

233894


Description

Chest freezer energy efficient 502L

Date	05-02-2021	Revision #	1.0
Revision	First Bill of Materials (BOM)		



Bill of materials (BOM)

 <b style="font-size: 24px; margin-left: 10px;">HENDI <small style="color: green; margin-left: 10px;">Tools for Chefs</small> Hendi B.V. Steenoven 21 3911 TX Rhenen The Netherlands	Batch #	Appliance part#
	000000 and up	233894
	Description	
Chest freezer energy efficient 502L		

Date	05-02-2021	Revision #	1.0
Revision	First Bill of Materials (BOM)		

Item	Description	Part#	Quantity	Remark	Picture
1	Lid incl. gasket	n/a	1		
*	Gasket lid	946510	1		
2	Protective pads	n/a	4		
3	Lid handle	946503	1		
4	Screw	n/a	4		
5	Handle cover	n/a	1		
6	Housing	n/a	1		
7	Lock base plate	n/a	1		
8	Lock	n/a	1		
9	Lock cover	n/a	1		
10	Wheel (roller)	n/a	6		
11	Screw	n/a	24		
12	Control panel	946473	1		
*	Thermostat	946374	1		
*	Control knob thermostat	946336	1		
*	Digital display	946404	1		
13	Control panel cover	n/a	1		
14	Compressor temperature limiter	nss	1		
15	Compressor starter	nss	1		
16	Compressor component cover	nss	1		
17	Screw	n/a	2		
18	Bracket	n/a	1		
19	Power cord	946466	1		
20	Screw	n/a	2		
21	Washer	n/a	2		
22	Screw (cover)	n/a	6		
23	Housing cover	n/a	1		
24	Compressor	946527	1	Incl. item 14~16, 24~29, 33 and 34	
25	Screw	nss	4		
26	Washer	nss	4		
27	Insulator	nss	4		
28	Washer	nss	4		
29	Nut	nss	4		
30	Pin	n/a	1		
31	screw	n/a	2		
32	Bracket	n/a	1		
33	Separation filter	nss	1		
34	Dryer filter	nss	1		
35	Coolant pipe	n/a	1		
36	Coolant system (input)	n/a	1		
37	Coolant system (output)	n/a	1		
38	Cover	n/a	1		
39	Hinge cover	n/a	3		
40	Hinge	946442	2		
41	Basket	233498	1		
42	LED light	946398	1		

n/a -> not available

nss -> not sold separately

Circuit diagram

 HENDI Tools for Chefs Hendi B.V. Steenoven 21 3911 TX Rhenen The Netherlands	Batch #	Appliance part#
	000000 and up	233894
	Description	
	Chest freezer energy efficient 502L	

Date	05-02-2021	Revision #	1.0
Revision	First Bill of Materials (BOM)		

