

Drawing



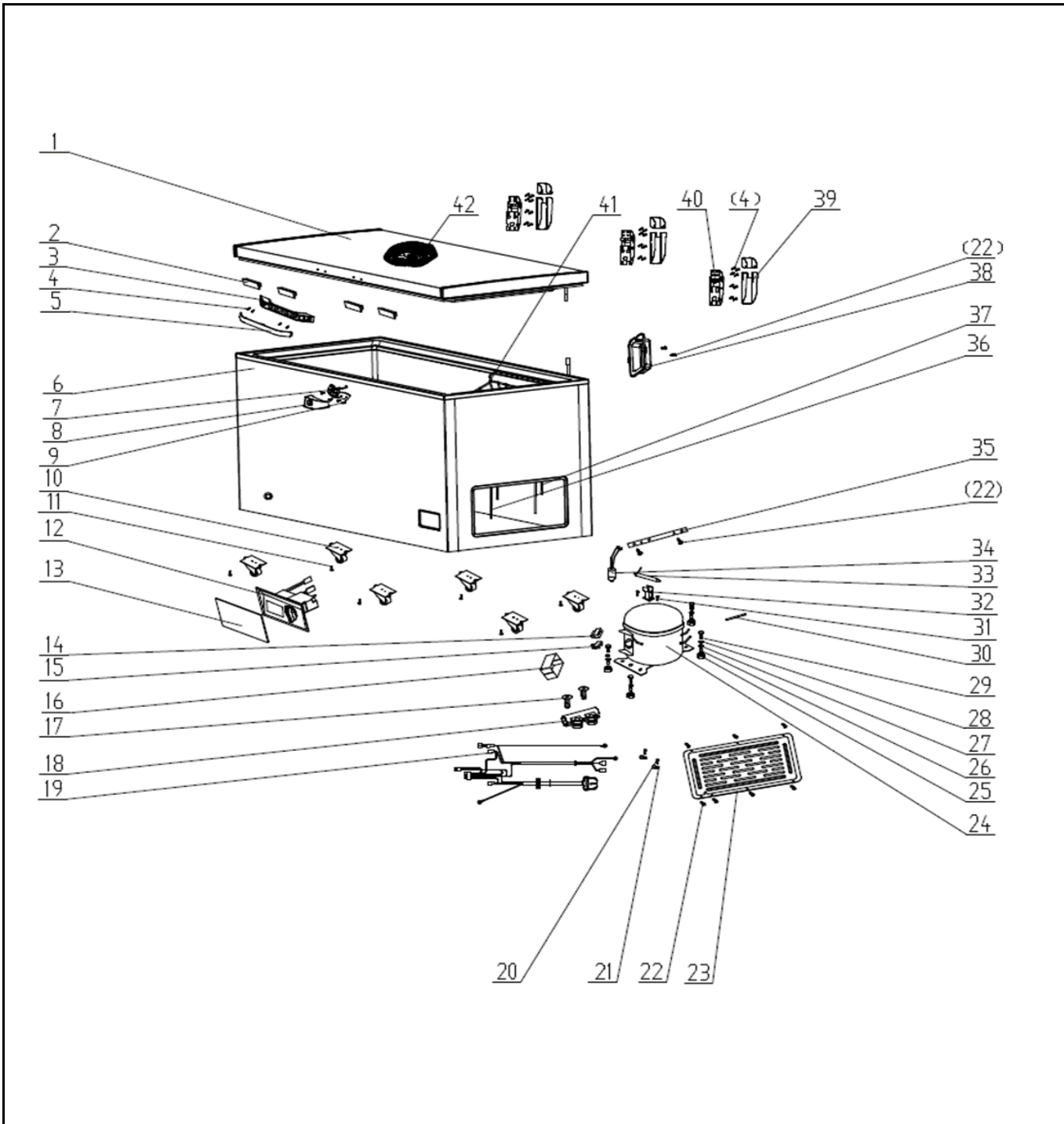
Hendi B.V.
 Steenoven 21
 3911 TX Rhenen
 The Netherlands

Batch #
 000000 and up


Appliance part#
233870

Description
 Chest freezer energy efficient 354L

| | | | |
|-----------------|-------------------------|-------------------|-----|
| Date | 05-02-2021 | Revision # | 1.0 |
| Revision | First Bill of Materials | | |



Bill of materials (BOM)

| | | |
|--|--------------------|------------------------|
|  HENDI Tools for Chefs Hendi B.V. Steenoven 21 3911 TX Rhenen The Netherlands | Batch # | Appliance part# |
| | 000000 and up | 233870 |
| | Description | |
| Chest freezer energy efficient 354L | | |

| | | | |
|-----------------|-------------------------|-------------------|-----|
| Date | 05-02-2021 | Revision # | 1.0 |
| Revision | First Bill of Materials | | |

| Item | Description | Part# | Quantity | Remark | Picture |
|------|--------------------------------|--------|----------|------------------------------------|---------|
| 1 | Lid | n/a | 1 | | |
| * | Gasket lid | 946435 | 1 | Not shown on drawing | |
| 2 | Protective pads | n/a | 4 | | |
| 3 | Lid handle | 946503 | 1 | | |
| 4 | Screw | n/a | 4 | | |
| 5 | Handle cover | n/a | 1 | | |
| 6 | Housing | n/a | 1 | | |
| 7 | Lock base plate | n/a | 1 | | |
| 8 | Lock | n/a | 1 | | |
| 9 | Lock cover | n/a | 1 | | |
| 10 | Wheel (roller) | n/a | 6 | | |
| 11 | Screw | n/a | 24 | | |
| 12 | Control panel | 946473 | 1 | | |
| * | Thermostat | 946374 | 1 | | |
| * | Control knob thermostat | 946336 | 1 | | |
| * | Digital display | 946404 | 1 | | |
| 13 | Control panel cover | n/a | 1 | | |
| 14 | Compressor temperature limiter | nss | 1 | | |
| 15 | Compressor starter | nss | 1 | | |
| 16 | Compressor component cover | nss | 1 | | |
| 17 | Screw | n/a | 2 | | |
| 18 | Bracket | n/a | 1 | | |
| 19 | Power cord | 946466 | 1 | | |
| 20 | Screw | n/a | 2 | | |
| 21 | Washer | n/a | 2 | | |
| 22 | Screw (cover) | n/a | 6 | | |
| 23 | Housing cover | n/a | 1 | | |
| 24 | Compressor | 946459 | 1 | Incl. item 14~16, 24~29, 33 and 34 | |
| 25 | Screw | nss | 4 | | |
| 26 | Washer | nss | 4 | | |
| 27 | Insulator | nss | 4 | | |
| 28 | Washer | nss | 4 | | |
| 29 | Nut | nss | 4 | | |
| 30 | Pin | n/a | 1 | | |
| 31 | screw | n/a | 2 | | |
| 32 | Bracket | n/a | 1 | | |
| 33 | Separation filter | nss | 1 | | |
| 34 | Dryer filter | nss | 1 | | |
| 35 | Coolant pipe | n/a | 1 | | |
| 36 | Coolant system (input) | n/a | 1 | | |
| 37 | Coolant system (output) | n/a | 1 | | |
| 38 | Cover | n/a | 1 | | |
| 39 | Hinge cover | n/a | 3 | | |
| 40 | Hinge | 946442 | 2 | | |
| 41 | Basket | 233498 | 1 | | |
| 42 | LED light | 946398 | 1 | | |
| | | | | | |
| | | | | | |

n/a -> not available

nss -> not sold separately

Circuit diagram

| | | |
|--|-------------------------------------|-----------------|
|  HENDI Tools for Chefs Hendi B.V. Steenoven 21 3911 TX Rhenen The Netherlands | Batch # | Appliance part# |
| | 000000 and up | 233870 |
| | Description | |
| | Chest freezer energy efficient 354L | |

| | | | |
|----------|-------------------------|------------|-----|
| Date | 05-02-2021 | Revision # | 1.0 |
| Revision | First Bill of Materials | | |

