

Drawing



Tools for Chefs

Hendi B.V.

Steenoven 21
3911 TX Rhenen
The Netherlands

Batch #

000000 and up

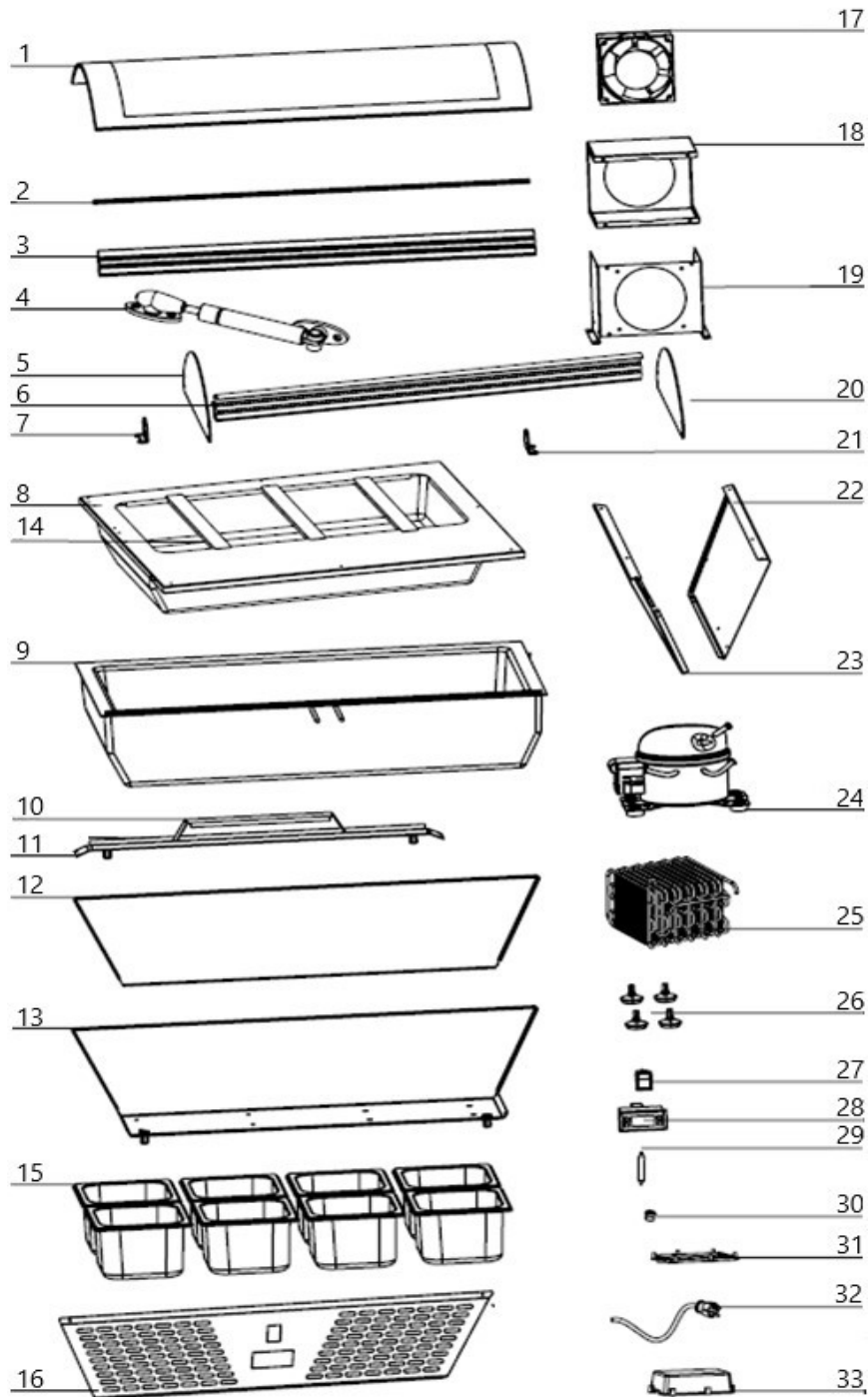
Appliance part#

233672


Description

Countertop Salad Display 67L

Date	16-04-2020	Revision #	1.0
Revision	First Bill of Materials (BOM)		



Bill of materials (BOM)

 <b style="font-size: 24px; margin-left: 10px;">HENDI <small style="color: green; margin-left: 10px;">Tools for Chefs</small> Hendi B.V. Steenoven 21 3911 TX Rhenen The Netherlands	Batch #	Appliance part#
	000000 and up	233672
	Description	
	Countertop Salad Display 67L	


Date	16-04-2020	Revision #	1.0
Revision	First Bill of Materials (BOM)		

Item	Description	Part#	Quantity	Remark	Picture
1	Glass cover	n/a	1		
2	Glass cover bracket (top)	n/a	1		
3	Glass cover bracket (bottom)	n/a	2		
4	Pneumatic rod	953709	2		
5	Side glass cover (left)	n/a	1		
6	Glass cover bracket	n/a	1		
7	Hinge (left)	n/a	1		
8	Housing panel (top)	n/a	1		
9	Housing insulation	n/a	1		
10	Bracket	n/a	1		
11	Bracket (large)	n/a	1		
12	Housing panel (back)	n/a	1		
13	Housing panel (bottom)	n/a	1		
14	G/N support bracket	953716	3		
15	Container GN1/6	n/a	8	Sold seperately	
16	Housing panel (front)	n/a	1		
17	Fan	953624	1		
18	Condensor cover	n/a	1		
19	Condensor cover (front)	n/a	1		
20	Side glass cover (right)	n/a	1		
21	Hinge (right)	n/a	1		
22	Housing panel (right)	n/a	1		
23	Housing panel (left)	n/a	1		
24	Compressor	953723	1		
25	Condensor	n/a	1		
26	Feet	953679	4		
27	Switch	205426	1		
28	Digital controller	953730	1		
29	Dryer filter	n/a	1		
30	Pull relief	n/a	1		
31	Main PCB	953747	1		
32	Power cord	n/a	1		
33	Main PCB housing	n/a	1		

n/a -> not available

nss -> not sold separately

Circuit diagram

 <b style="font-size: 24px; margin-left: 10px;">HENDI Tools for Chefs Hendi B.V. Steenoven 21 3911 TX Rhenen The Netherlands	Batch #	Appliance part#
	000000 and up	233672
	Description	
	Countertop Salad Display 67L	

Date	16-04-2020	Revision #	1.0
Revision	First Bill of Materials (BOM)		

