



# REFRIGERATED DISPLAY CABINETS



Item: 233276  
233283

You should read this user manual carefully before using the appliance.

Bevor Sie das Gerät in Betrieb nehmen, sollten Sie diese Gebrauchsanweisung aufmerksam lesen.

Alvorens de apparatuur in gebruik te nemen dient u deze gebruiksaanwijzing aandachtig te lezen.

Przed uruchomieniem urządzenia należy koniecznie dokładnie przeczytać niniejszą instrukcję obsługi.

Lisez attentivement ce mode d'emploi avant d'utiliser l'appareil .

Prima di utilizzare l'apparecchio in funzione leggere attentamente le istruzioni per l'uso.

Citiți cu atenție prezentul manual de utilizare înainte de folosirea aparatului.

Внимательно прочитайте руководство пользователя перед использованием прибора.

Πρέπει να διαβάσετε αυτές τις οδηγίες χρήσης προσεκτικά πριν χρησιμοποιήσετε τη συσκευή.



Keep these instructions with the appliance.  
Diese Gebrauchsanweisung bitte beim Gerät aufbewahren.  
Bewaar deze handleiding bij het apparaat.  
Zachowaj instrukcję urządzenia  
Gardez ces instructions avec cet appareil.  
Conservate le istruzioni insieme all'apparecchio.  
Păstrați manualul de utilizare alături de aparat.  
Хранить руководство вместе с устройством.  
Φυλάξτε αυτές τις οδηγίες μαζί με τη συσκευή.



For indoor use only.  
Nur zur Verwendung im Innenbereich.  
Alleen voor gebruik binnenshuis.  
Do użytku wewnątrz pomieszczeń.  
Pour l'usage à l'intérieur seulement.  
Destinato solo all'uso domestico.  
Doar pentru uz la interior.  
Использовать только в помещениях.  
Για χρήση μόνο σε εσωτερικό χώρο.



Dear Customer,

Thank you for purchasing this Arctic appliance. Before using the appliance for the first time, please read this manual carefully, paying particular attention to the safety regulations outlined below.

---

## Safety regulations

- This appliance is intended for commercial use only.
- The appliance must only be used for the purpose for which it was intended and designed. The manufacturer is not liable for any damage caused by incorrect operation and improper use.
- Keep the appliance and electrical plug away from water and any other liquids. In the event that the appliance should fall into water, immediately remove plug from the socket and do not use until the appliance has been checked by a certified technician. Failure to follow these instructions could cause a risk to lives.
- Never attempt to open the casing of the appliance yourself.
- Do not insert any objects in the casing of the appliance.
- Do not touch the plug with wet or damp hands.
- **Danger of electric shock!** Do not attempt to repair the appliance yourself. In case of malfunctions, repairs are to be conducted by qualified personnel only.
- **Never use a damaged appliance!** Disconnect the appliance from the electrical outlet and contact the retailer if it is damaged.
- **Warning!** Do not immerse the electrical parts of the appliance in water or other liquids. Never hold the appliance under running water.
- Regularly check the power plug and cord for any damage. If the power plug or power cord is damaged, it must be replaced by a service agent or similarly qualified persons in order to avoid danger or injury.
- Make sure the cord does not come in contact with sharp or hot objects and keep it away from open fire. To pull the plug out of the socket, always pull on the plug and not on the cord.
- Ensure that the cord (or extension cord) is positioned so that it will not cause a trip hazard.
- Always keep an eye on the appliance when in use.
- **Warning!** As long as the plug is in the socket the appliance is connected to the power source.
- Turn off the appliance before pulling the plug out of the socket.
- Never carry the appliance by the cord.
- Do not use any extra devices that are not supplied along with the appliance.
- Only connect the appliance to an electrical outlet with the voltage and frequency mentioned on the appliance label.
- Connect the power plug to an easily accessible electrical outlet so that in case of emergency the appliance can be unplugged immediately. To completely switch off the appliance pull the power plug out of the electrical outlet.
- Always turn the appliance off before disconnecting the plug.
- Never use accessories other than those recommended by the manufacturer. Failure to do


EN

so could pose a safety risk to the user and could damage the appliance. Only use original parts and accessories.

- This appliance is not intended for use by persons (including children) with reduced physical, sensory or mental capabilities, or lack of experience and knowledge.
- This appliance must not be used by children under any circumstances.
- Keep the appliance and its cord out of reach of children.
- Always disconnect the appliance from the mains if it is left unattended or is not in use, and before assembly, disassembly or cleaning.
- Never leave the appliance unattended during use.

---

## Special Safety Regulations

- This appliance is designed for short-time storage and display of foodstuffs such as desserts including cake or packaged food lettuce, vegetables, drinks, fruits, etc. under low temperature. This appliance is capable of continuously maintaining the temperature of foodstuffs within prescribed limits at chilled operating temperature. Do not store any other materials in the appliance. Do not place any dangerous products, such as fuel, alcohol, paint, flammable or explosives, etc. inside or near the appliance. No medicine is allowed to keep inside the appliance.
- Products put in the appliance must be already pre-cooled. Otherwise, moisture evaporating while cooling food products can condensate inside the cooling compartment, this is natural and does not indicate any malfunction of the appliance.
- This appliance must be installed, commissioned and serviced by a qualified or trained person. And this appliance is intended to be used by trained or qualified personnel such as kitchen or bar staff.
- **WARNING:** Do not use mechanical devices or other means to accelerate the defrosting process, other than those recommended by the manufacturer.
- **WARNING:** Do not damage the refrigerant circuit.
-  **Caution! Risk of fire!** The refrigerant used is R290. It is a flammable refrigerant which is environmentally friendly. Although it is flammable, it does not damage the ozone layer and does not increase the greenhouse effect. The use of this coolant has, however, led to a slight increase in the noise level of the appliance. In addition to the noise of the compressor, you might be able to hear the coolant flowing around the system. This is unavoidable, and does not have any adverse effect on the performance of the appliance. Care must be taken during the transportation and setting up of the appliance that no parts of the cooling system are damaged. Leaking coolant can damage the eyes.
- The foam blowing agent used is C<sub>5</sub>H<sub>10</sub> in this appliance. It is highly flammable.
- **WARNING:** Keep all ventilation openings in the appliance enclosure clear of obstruction. Provide sufficient ventilation in the surrounding structure when building-in. Never block the air flow suction and air outlet in order to keep air circulation.
- **WARNING:** Do not use electrical appliances inside the food storage compartments of the appliance, unless they are of the type recommended by the manufacturer.

- Place the appliance on a clean, stable, dry, level surface only.
- Keep the appliance away from any hot surfaces and open flames. Protect the appliance against heat, dust, direct sunlight, moisture, dripping and splashing water.
- During use, keep 10cm around the appliance free for ventilation.
- Do not use hard utensils on the glass surface. Do not use water jets or steam cleaners during cleaning, do not immerse the whole appliance in water as the parts will get wet and electric shock might be resulted.
- Do not place articles on top of the appliance. Do not place objects with open sources of fire (e.g. candles) on top or beside the appliance. Do not place objects filled with water (e.g. vases) on or near the appliance.
- Never cover the appliance during use. This may cause a fire hazard.
- Do not wash the appliance with water. Washing can cause leakages and increase the risk of electric shock.
- Do not make any additional openings on the appliance. Do not install any gadgets in the appliance.
- Do not overload the racks inside to avoid damage. Max. loading of each rack is about 18kg.
- Do not attempt to climb up to the top of the appliance.

### **Installing the appliance**

- The appliance should not be tipped over an angle of 45°. After installing the appliance, wait for 2 hours before connecting it to the electrical power supply to switch on. The same applies if the appliance is moved at a later date.
- The appliance must always be installed in a dry environment.
- When installing, leave at least 10 cm clearance to the rear and to the left and right for adequate ventilation. Leaving less room for ventilation may affect the efficiency.
- We strongly recommend to install the appliance in a place with good natural ventilation to increase ventilation properties.

### **Electrical components and other dangers**

- No other appliances should be plugged into the same socket as with this appliance.
- Do not place any dangerous products, such as fuel, alcohol, paint, flammable or explosives, etc. inside or near the appliance as it may result a fire hazard.
- Do not store any medications in the appliance.
- Wait about 5 minutes before switch on the appliance again after the appliance has been switched off or unplugged from the electrical power supply.
- Do not wash the appliance with water. Washing can cause leakage and increase the risk of electric shock. No any parts/accessories can be under dishwasher.

---

### Intended use

- This appliance is intended for professional use.
- This appliance is designed only to keep food or beverages, under cool state and to display them for retail sale in restaurants, canteens, other commercial enterprises such as bakeries, butcheries, supermarkets, etc. Any other use may lead to damage of the appliance or personal injury.
- Operating the appliance for any other purpose shall be deemed a misuse of the device. The user shall be solely liable for improper use of the device.

---

### Grounding installation

This appliance is classified as protection class I appliance and must be connected to a protective ground. Grounding reduces the risk of electric shock by providing an escape wire for the electric

current. This appliance is equipped with a cord having a grounding wire with a grounding plug. The plug must be plugged into an outlet that is properly installed and grounded.

---

### Different operation parts

#### Air outlet

- Never block the air outlet. Let inside circulating cold air flow out.

#### Air suction

- Never block the suction. Air is sucked in and cold air is circulated inside the refrigerator.

#### Rack

- The height of rack is adjustable for various goods. For adjustment :
  - 1) Take out the rack
  - 2) Move the rack support on suitable height.
  - 3) Put the rack on the support.

#### Glass door

#### Digital controller

#### Power Switch

#### Castor



## Preparation before using for the first time

Remove all protective packaging and wrapping.

- Check for the completeness of the product. In case of incomplete delivery and damages. Please contact supplier (See == > Warranty).
- Clean all components as described (See == > Cleaning and Maintenance).

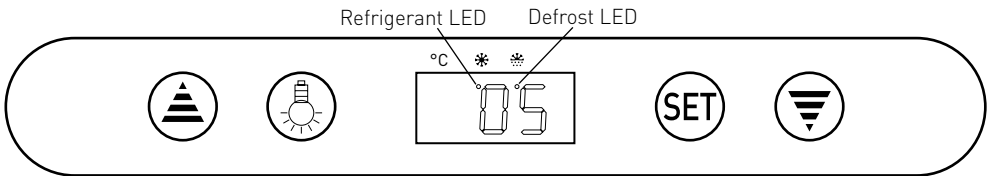
- Place all the racks inside the appliance.

**Note:** Due to manufacturing residues, the appliance may emit a slight odor in the first few cycles. This is normal and does not indicate any defect or hazard. Make sure the appliance is well ventilated.

## Operation

- Connect the power plug with a suitable electrical outlet. Leaving the appliance for running some

hours to reach the cooling temperature before placing the beverage or food inside the appliance.



### • Digital temperature controller operation

#### 1). Setting the temperature

- Press (SET) to enter into the setting mode. The set temperature is displayed.
- Press (▲) or (▼) to increase or decrease the set temperature.
- Press (SET) again to confirm the setting and exit. Then, inside cabinet temperature is displayed.

### **Note:**

- If no button is pressed within 10 seconds. The newly set temperature will be stored.
- The temperature setting range from 2°C to 6°C. The actual temperature inside the appliance can be affected by the ambient temperature.
- Keep the door open time as short as possible in order to keep a cool temperature inside.

#### 2). Illumination inside the cabinet

- Press (💡) to switch ON the light. Press (💡) again to switch OFF the light.

#### 3). Refrigerant LED indicator

- During the cooling operation (compressor enabled), this refrigerant LED indicator will lights up constantly.

- After the inside cabinet reach the set temperature, the refrigerant LED indicator will flashes continuously.
- When defrost start, the refrigerant LED indicator light off.

#### 4). Defrost LED indicator

- During the defrost operation, this defrost LED indicator will lights up constantly.

- After the defrost operation, defrost LED indicator will lights off.

## Cleaning and Maintenance

**Attention:** Always unplug the appliance from the electrical power outlet before cleaning & maintenance.

### Cleaning

- The exterior and interior surfaces can be cleaned with a damp cloth and a little detergent.
- Racks can be removed and washed in water.
- Do not use water jet or steam cleaner for cleaning and do not push the appliance under the water.
- No any parts can be cleaned in the dishwasher.
- Clean the appliance regularly.

Parts	How to clean	Remark
All accessories such as racks, rack holders, etc.	<ul style="list-style-type: none"><li>• Soak in warm, soapy water for about 10 to 20 minutes.</li><li>• Rinse under running water thoroughly.</li></ul>	Dry all parts well at last.
External glass surfaces	<ul style="list-style-type: none"><li>• Wipe clean with a soft cloth and a little neutral detergent. Make sure no water or moisture enters inside the of the appliance.</li></ul>	
Interior glass surfaces	<ul style="list-style-type: none"><li>• Remove any food deposits.</li><li>• Wipe clean with a soft cloth and a little mild detergent. Make sure no water or moisture enters inside the of the appliance.</li></ul>	
Glass door		

### Putting the appliance out of reach for a long period of time

- **Attention:** Always unplug the appliance from the electrical power outlet.
- Remove all the food and beverage inside the appliance.
- Clean the appliance as described in Cleaning. (See == > Cleaning).
- Store the appliance in a cool, clean place and keep out of reach of the children.



## Troubleshooting

If the appliance does not function properly, please check the below table for the solution. If you are still unable to solve the problem, please contact the supplier/service provider.

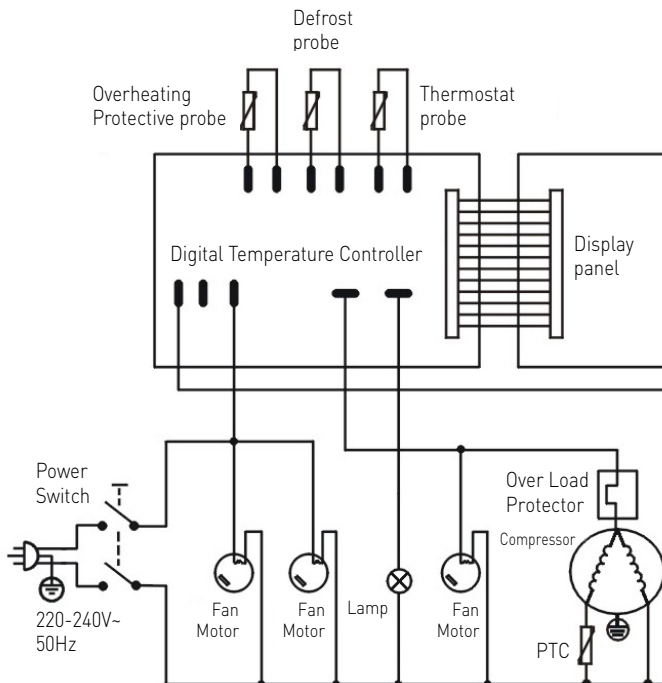
Problems	Possible cause	Possible solution
The appliance does not start cooling after connect to electrical power supply.	Thermal cut-out activated	Contact with the supplier/service provider for repair.
	The compressor is defective.	
	The power plug is connected correctly with the power supply outlet.	Check the connection and make sure all the connections are correctly connected.
Cooling is not enough.	The appliance is under strong sunlight radiation or close to a heat source.	Move the appliance a new location to avoid direct sunlight.
	The doors are not properly closed or the sealing gasket is defective.	Close the doors properly.
	Too much food is placed inside the appliance.	Place less food inside the appliance.
	Surrounding ventilation is insufficient.	Check that if sufficient ventilation is provided by allowing at least 10cm away from other objects or wall.
Too much noise	The appliance is not placed horizontally.	Check to make sure the appliance is placed horizontally.
	The appliance touches surrounding wall or other objects.	Check to make sure that at least 10cm away from other objects or wall.
	There are some loose parts inside the appliance.	Contact with the supplier/service provider for repair.

## Technical specification

Item no.	233276	233283
Operating voltage and frequency	220-240V~ /50Hz	
Rated input power	495W	500W
Setting temperature	Setting from 2°C to 6°C	
Protection class	Class I	
Climate class	4	
Refrigerant used and injection quantity	R290/ 90g	R290/ 110g
Power of the light	4*1.5W (LED)	4*1.5W (LED)
Rated Current	2.8A	2.9A
Flammable foaming agent	C <sub>5</sub> H <sub>10</sub>	
Noise level	< 70 dB (A)	
Inside cabinet capacity	400L	550L
Outer dimension	650 x 650 x (H)1908mm	850 x 650 x (H)1908mm

**Remark: Technical specification is subjected to change without prior notification**

## Circuit diagram (Item 233276, 233283)



---

## Warranty

Any defect affecting the functionality of the appliance which becomes apparent within one year after purchase will be repaired by free repair or replacement provided the appliance has been used and maintained in accordance with the instructions and has not been abused or misused in any way. Your statutory rights are not affected. If the appliance is claimed under warranty, state where and

when it was purchased and include proof of purchase (e.g. receipt).

In line with our policy of continuous product development we reserve the right to change the product, packaging and documentation specifications without notice.

---

## Discarding & Environment

When decommissioning the appliance, the product must not be disposed of with other household waste. Instead, it is your responsibility to dispose of your waste equipment by handing it over to a designated collection point. Failure to follow this rule may be penalized in accordance with applicable regulations on waste disposal. The separate collection and recycling of your waste equipment at the time of disposal will help conserve natural re-

sources and ensure that it is recycled in a manner that protects human health and the environment. For more information about where you can drop off your waste for recycling, please contact your local waste collection company. The manufacturers and importers do not take responsibility for recycling, treatment and ecological disposal, either directly or through a public system.

Sehr geehrte Kundin, sehr geehrter Kunde,

wir danken Ihnen für den Kauf des Gerätes Arktic. Machen Sie sich bitte mit dieser Anleitung noch vor der Inbetriebnahme des Gerätes vertraut, um Schäden durch die unsachgemäße Bedienung zu vermeiden. Den Sicherheitsregeln ist besondere Aufmerksamkeit zu widmen.

## Sicherheitsregeln


- Die unsachgemäße Bedienung des Geräts kann zur schweren Beschädigung des Geräts sowie zu Verletzungen führen.
- Dieses Gerät ist nur für den gewerblichen Gebrauch bestim.
- Das Gerät ist ausschließlich zu dem Zweck zu benutzen, zu dem es hergestellt wurde. Der Hersteller haftet nicht für Schäden, die auf unsachgemäße Bedienung des Geräts zurückzuführen sind.
- Den Kontakt des Gerätes und des Steckers mit Wasser oder einer anderen Flüssigkeit vermeiden. Den Stecker unverzüglich aus dem Stecker ziehen und das Gerät von einem anerkannten Fachmann prüfen lassen, wenn das Gerät unbeabsichtigterweise ins Wasser fällt. Bei Nichteinhaltung dieser Sicherheitsvorschriften besteht Lebensgefahr.
- Nie eigenständig das Gehäuse des Gerätes zu öffnen versuchen.
- In das Gehäuse des Gerätes keine Gegenstände einführen.
- Den Stecker nicht mit nassen oder feuchten Händen berühren.
- **Gefahr eines Stromschlags!** Das Gerät darf nicht selbstständig repariert werden. Sämtliche Mängel und Unzulänglichkeiten sind ausschließlich durch qualifiziertes Personal zu beseitigen.
- **Niemals ein beschädigtes Gerät benutzen!** Das beschädigte Gerät vom Netz trennen und sich mit dem Verkäufer in Verbindung setzen.
- **Warnung:** Die Elektroteile des Gerätes dürfen weder in Wasser noch in andere Flüssigkeiten getaucht werden. Ebenso ist das Gerät nicht unter fließendes Wasser zu halten.
- Der Stecker und die Stromversorgungsleitung sind regelmäßig auf Beschädigungen zu prüfen. Der beschädigte Stecker oder Leitung sind an eine Servicestelle oder einer anderen qualifizierten Person zur Reparatur zu übergeben, um eventuellen Gefahren und Verletzungen des Körpers vorzubeugen.
- Man muss sich davon überzeugen, ob die Stromversorgungsleitung weder mit scharfkantigen noch mit heißen Gegenständen in Berührung kommt; halten Sie die Leitung weit entfernt von einer offenen Flamme. Um den Stecker aus der Netzsteckdose zu nehmen, muss man immer am Stecker und nicht an der Leitung ziehen.
- Die Stromversorgungsleitung (oder Verlängerungsleitung) ist vor dem zufälligen Herausziehen aus der Steckdose zu schützen. Die Stromversorgungsleitung muss so geführt werden, dass niemand zufällig darüber stolpern kann.
- Das Gerät muss während seiner Anwendung ständig kontrolliert werden.
- **Warnung!** Wenn der Stecker in der Netzsteckdose ist, muss man das Gerät als an die Stromversorgung angeschlossen betrachten.
- Bevor der Stecker aus der Netzsteckdose genommen wird, ist das Gerät auszuschalten.

- Das Gerät darf beim Tragen nicht an der Leitung gehalten werden.
- Benutzen Sie kein Zubehör, das nicht mit diesem Gerät mitgeliefert wurde.
- Das Gerät muss man ausschließlich an die Steckdose mit solch einer Spannung und Frequenz anschließen, wie auf dem Typenschild angegeben wird.
- Stecken Sie den Stecker in die Steckdose, die an einem leicht und bequem zugänglichen Ort angeordnet ist, und zwar so, dass das Gerät bei einer Störung sofort abgeschaltet werden kann. Um das Gerät vollständig auszuschalten, muss man es von der Stromquelle trennen. Zu diesem Zweck muss man den Stecker, der sich am Ende der vom Gerät getrennten Leitung befindet, aus der Netzsteckdose ziehen.
- Vor dem Abtrennen des Steckers ist das Gerät auszuschalten!
- Benutzen Sie kein Zubehör, das nicht vom Hersteller empfohlen wird. Die Anwendung vom nicht empfohlenen Zubehör stellt eine Gefahr für den Nutzer dar und kann zur Beschädigung des Gerätes führen. Benutzen Sie ausschließlich Ersatzteile und Zubehör im Original.
- Dieses Gerät eignet sich nicht für den Gebrauch durch Personen (gilt auch für Kinder) mit geringerer Motorik, Sensorik oder geistiger Fähigkeit oder mangelhafter Erfahrung und Wissen.
- Auf keinen Fall darf das Bedienen des Gerätes durch Kinder zugelassen werden.
- Das Gerät mit Stromversorgungsleitung ist außerhalb der Reichweite von Kindern zu lagern.
- Ebenso muss dafür gesorgt werden, dass die Kinder das Gerät nicht zum Spielen benutzen.
- Das Gerät ist immer dann von der Stromversorgung zu trennen, wenn es ohne Aufsicht bleiben soll bzw. auch vor der Montage, Demontage und Reinigung.
- Während der Nutzung darf das Gerät nicht ohne Aufsicht gelassen werden.

---

## **Besondere Sicherheitsvorschriften**

- Dieses Gerät ist für die kurzzeitige Lagerung und Bereitstellung von Lebensmitteln bei niedrigen Temperaturen bestimmt wie Desserts inklusive Kuchen oder abgepackten Speisesalaten, Gemüse, Getränken, Früchten, usw. Dieses Gerät ist in der Lage, die Temperatur von Lebensmitteln bei gekühlter Betriebstemperatur kontinuierlich innerhalb vorgeschriebener Grenzen zu halten. Es dürfen im Gerät keine anderen Produkte gelagert werden. Bringen Sie in die Kühlvitrine oder in seine Nähe keine Gefahrenstoffe unter, und zwar solche wie Kraftstoff, Alkohol, Farben, leichtbrennbare und explosive Materialien usw. Arzneimittel dürfen im Gerät nicht aufbewahrt werden.
- Die in der Kühlvitrine angeordneten Produkte müssen vorher gekühlt worden sein. Andernfalls kann der Dampf, der von den zu kühlenden Produkten ausweicht, innerhalb der Kühlkammer zu einer Tropfenbildung führen – das ist eine normale Erscheinung und verweist nicht auf eine Beschädigung des Gerätes.
- Das vorliegende Gerät muss durch qualifiziertes und geschultes Personal montiert, zur Nutzung übergeben und instandgehalten werden. Ebenso muss es durch entsprechend qualifiziertes und geschultes Personal bedient werden, z.B. das Küchenpersonal oder Bedienpersonen an der Bar.

- **WARNUNG:** Verwenden Sie zwecks Beschleunigung des Abtauvorgangs weder mechanische Geräte noch andere Werkzeuge als vom Hersteller empfohlen.
- **WARNUNG:** Der Umlauf des Kühlmediums darf nicht beschädigt werden.
-  **Achtung! Es besteht Feuergefahr!** Im Gerät wird R290 als Kältemittel verwendet. Es ist ein umweltfreundliches, leicht brennbares Kältemittel. Obwohl das Kältemittel leicht brennbar ist, ist es unschädlich für die Ozonschicht und hat keinen Einfluss auf den Treibhauseffekt. Der Einsatz dieses Kältemittels führt jedoch zu einem leichten Anstieg des Lärmpegels des Gerätes. Neben dem Lärm des Verdichters kann der Benutzer das Geräusch hören, das durch den Kältemittelstrom verursacht wird. Dieses Phänomen lässt sich nicht vermeiden und hat keine negativen Auswirkungen auf den Betrieb des Gerätes. Bei Transport und Aufstellung des Gerätes ist besonders darauf zu achten, dass keine Teile des Kältesystems beschädigt werden. Auslaufendes Kältemittel kann zu Augenschäden führen.
- Als Treibmittel wird in diesem Gerät C<sub>5</sub>H<sub>10</sub> verwendet. Es ist leicht entflammbar.
- **WARNUNG:** Verdecken Sie nicht die Belüftungsöffnungen im Gehäuse des Gerätes. Wenn das Gerät umbaut ist, muss man sich davon überzeugen, ob für das Gerät auch eine richtige Belüftung gewährleistet wird. Blockieren Sie niemals den Luftdurchfluss um das Gerät herum, damit eine richtige Luftzirkulation abgesichert ist.
- **WARNUNG:** Innerhalb der Kammern der Kühlvitrine dürfen keine anderen Elektrogeräte eingesetzt werden, als vom Hersteller empfohlen.
- Das Gerät ist ausschließlich auf einer sauberen, stabilen, trockenen und horizontalen Fläche aufzustellen.
- Lagern Sie es weit entfernt von heißen Flächen und offenem Feuer. Überzeugen Sie sich, ob das Gerät nicht der Einwirkung hoher Temperaturen, Staub, Sonnenstrahlen, Feuchtigkeit, tropfendem Wasser und Spritzern ausgesetzt ist.
- Überzeugen Sie sich, ob rundum die Kühlvitrine 10 cm Freiraum eingehalten wurde, um eine richtige Belüftung zu gewährleisten.
- Es darf mit keinem harten Werkzeug gegen die Glasfläche der Kühlvitrine geschlagen werden. Ebenso darf das Gerät nicht mit einem Wasserstrahl oder einer Dampfwäsche gereinigt und das ganze Gerät darf wegen des Risikos eines Stromschlags nicht komplett in Wasser getaucht werden.
- Legen Sie keine Gegenstände auf die Kühlvitrine. Bringen Sie keine Quellen des offenen Feuers (z.B. angezündete Kerzen) bzw. mit Wasser gefüllte Gegenstände (z.B. Vasen) in die Nähe des Gerätes.
- Das Gerät darf während der Nutzung nicht zugedeckt werden, da sonst Feuergefahr besteht.
- Reinigen Sie die Kühlvitrine nicht mit Wasser. Beim Waschen des Gerätes kann Wasser in den elektrischen Teil gelangen und so zu einem Stromschlag führen.
- Bringen Sie keine allzu großen Mengen von Lebensmitteln in die Vitrine, um ihrer Beschädigung vorzubeugen. Die maximale Belastung eines jeden Faches beträgt ca. 18 kg.
- Probieren Sie nicht auf das Gerät zu steigen.

## Montage der Kühlvitrine

- Das Gerät darf mit keinem größeren Winkel als 45° geneigt stehen. Nach durchgeführter Montage des Gerätes muss man vor seinem Anschluss an die Stromversorgung und Inbetriebnahme 2 Stunden abwarten. Die obige Empfehlung betrifft auch die Situation, wenn das Gerät zu einem späteren Termin an einen anderen Platz gestellt wird.
- Die Kühlvitrine muss unbedingt an einem trockenen Platz montiert werden.
- Während der Montage muss man hinter dem Gerät und an den beiden Seiten mindestens 10 cm Freiraum lassen, um eine richtige Belüftung gewährleisten zu können. Bei einem geringeren Freiraum kann die Leistungsfähigkeit der Gerätes beeinflusst werden.
- Es wird empfohlen, die Montage der Kühlvitrine an einem Ort mit guter natürlicher Belüftung durchzuführen, weil dadurch das Gerät entsprechend belüftet wird.

## Elektrische Elemente und andere Gefahren

- Es darf keine andere Ausrüstung an die gleiche Stromversorgungsquelle angeschlossen werden, an die das Gerät angeschlossen ist.
- Bringen Sie in der Kühlvitrine oder in seiner Nähe keine Gefahrenstoffe unter, und zwar solche wie Kraftstoff, Alkohol, Farben, leichtbrennbare und explosive Materialien usw. – es besteht Brandgefahr.
- Lagern Sie im Gerät keine Arzneimittel.
- Nach dem Aus- oder Abschalten des Gerätes von der Stromversorgungsquelle muss man ca. 5 Minuten bis zu seiner erneuten Inbetriebnahme abwarten.
- Reinigen Sie das Gerät nicht mit Wasser. Beim Waschen des Gerätes kann Wasser in den elektrischen Teil gelangen und zu einem Stromschlag führen. Die Teile/Zubehör sind nicht zum Waschen in der Spülmaschine geeignet.

DE

## Verwendungszweck des Gerätes

- Das Gerät ist für den professionellen Einsatz geeignet.
- Diese Vorrichtung wurde ausschließlich für die Aufbewahrung von Speisen oder Getränken in kühlem Zustand sowie zur Auslage für den Wiederverkauf in Restaurants, Kantinen sowie weiteren gewerblichen Unternehmen, wie z.B. Bäckereien, Metzgereien, Supermärkten usw.,

konzipiert. Verwendung des Gerätes für andere Zwecke kann zu seiner Beschädigung sowie zu Körperverletzungen führen.

- Jede andere Verwendung des Gerätes gilt als nicht bestimmungsgemäß. Der Benutzer ist allein verantwortlich für die unsachgemäße Nutzung des Gerätes.

## Montage der Erdung

Die Kühlvitrine ist ein Gerät der I. Schutzklasse und erfordert eine Erdung. Die Erdung verringert das Risiko eines elektrischen Stromschlags, da über einen Leiter der elektrische Strom abgeleitet wird. Das Gerät ist mit einem Schutzleiter mit Schutz-

kontaktstecker ausgerüstet. Bevor das Gerät nicht entsprechend installiert und geerdet wurde, darf man den Schutzkontaktstecker nicht in die Netzsteckdose stecken.

## Teile des Gerätes

### Luftaustritt

- Blockieren Sie nicht die Stelle des Luftaustritts. Durch die Öffnung des Luftaustritts wird die kühle Luft aus dem Gerät herausgeführt.

### Regalfach

- Die Lage des Regalfachs kann geregelt und an die verschiedenen Lebensmittelarten angepasst werden. Regelung des Regalfachs:
  - 1) Regalfach herausnehmen.
  - 2) Bringen Sie die Stützen des Regalfaches in die erforderliche Stellung.
  - 3) Das Regalfach zurück auf die Stützen legen.

### Digitalsteuerung

### Rolle

### Luftansaugung

- Blockieren Sie nicht die Stelle der Luftansaugung. Die Luft wird angesaugt und die kalte Luft zirkuliert innerhalb der Kühlvitrine.

### Glastür

### Stromschalter



## Vor dem ersten Gebrauch

Verpackung und Sicherungselemente abnehmen und beseitigen.

- Prüfen Sie das Gerät in Bezug auf Vollständigkeit. Bei nicht vollständiger Anlieferung oder Beschädigungen muss man sich mit dem Lieferanten in Verbindung setzen (siehe: Garantie).
- Reinigen Sie alle Teile des Gerätes entsprechend der Anleitung (siehe==> Reinigung und Wartung).

- Legen Sie alle Regalfächer in das Gerät.

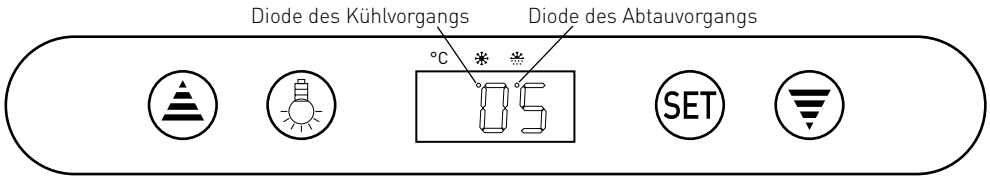
**Hinweis:** Auf Grund von Rückständen aus dem Produktionsprozess kann während der ersten Inbetriebnahmen aus dem Gerät ein unangenehmer Geruch entweichen. Das ist eine normale Erscheinung und bedeutet weder eine Beschädigung der Kühlvitrine noch eine Gefährdung für den Nutzer. Prüfen Sie, ob das Gerät gut belüftet wird.



## Nutzung

- Schließen Sie den Stecker an die entsprechende Elektrosteckdose an. Bevor Lebensmittel und Getränke in die Kühlvitrine eingebracht werden,

muss man es über einige Stunden eingeschaltet lassen, damit die richtige Kühltemperatur erreicht wird.



### • Bedienung des digitalen Panels für die Temperaturregelung

#### 1). Einstellung der Temperatur

- Taste **SET** drücken, um in die Betriebsart Einstellungen zu gehen. Auf dem Display erscheint die eingestellte Temperatur.
- Taste **▲** oder **▼** drücken, um die eingestellte Temperatur zu erhöhen oder zu verringern.
- Taste **SET** erneut drücken, um die eingegebene Temperatur zu bestätigen. Auf dem Display erscheint die eingestellte Temperatur im Innern der Kühlvitrine.

#### 2). Einstellen des Lichtes innerhalb der Kühlvitrine

- Taste **☀** drücken, um das Licht in der Kühlvitrine einzuschalten. Zum Ausschalten erneut **☀** drücken.

#### 3). Diode für die Kühlung

- Während der Kühlung der Vitrine (Verdichter gestartet), wird die Diode für die Kühlung ununterbrochen leuchten.

#### 4). Diode des Abtauvorgangs

- Während des Abtauens der Kühlvitrine wird die Abtaudiode ununterbrochen leuchten.

### Hinweis:

- Wenn innerhalb von 10 Sekunden keine Taste gedrückt wird, dann stellt die Kühlvitrine die neu eingegebene Temperatur ein.
- Einstellbereich der Temperatur: von 2°C bis 6°C. Die tatsächliche Temperaturschwankung im Inneren des Produkts kann durch die Umgebungstemperatur beeinflusst werden.
- Um eine niedrige Temperatur innerhalb der Kühlvitrine zu halten, darf man die Türen nicht zu lange öffnen.

- Wenn innerhalb der Kühlvitrine die eingestellte Temperatur erreicht wird, beginnt die Diode für die Kühlung zu blinken.
- Mit dem Beginn des Abtauens erlischt die Diode für die Kühlung.

- Nach dem Beenden des Abtauvorgangs erlischt die Abtaudiode.

## Reinigung und Wartung

**Hinweis:** Vor dem Reinigen und den Wartungsarbeiten muss man immer das Gerät von der Strom-

versorgungsquelle trennen und den Stecker aus der Steckdose nehmen.

### Reinigung

- Die Innen- und Außenflächen der Kühlvitrine kann man mit einem feuchten Lappen mit einer geringen Menge eines Reinigungsmittels reinigen.
- Die Regalfächer kann man aus dem Gerät nehmen und sie beim Waschen in Wasser eintauchen.
- Verwenden Sie zum Reinigen der Kühlvitrine weder einen direkten Wasserstrahl, Dampfreiniger, noch tauchen Sie das gesamte Gerät in das Wasser.
- Teile der Kühlvitrine dürfen nicht in der Spülmaschine gereinigt werden.
- Die Reinigung der Kühlvitrine sollte regelmäßig erfolgen.

Teile	Reinigung	Bemerkungen
Teile des Gerätes, solche wie Regalfächer, ihre Stützen usw.	<ul style="list-style-type: none"><li>• Für ca. 10-20 Minuten in warmes Seifenwasser tauchen.</li><li>• Unter fließendem Wasser genau abspülen.</li></ul>	Alle Teile genau abtrocknen.
Äußere Glasflächen	<ul style="list-style-type: none"><li>• Mit weichem Lappen und geringer Menge eines neutralen Reinigungsmittels abreiben. Überzeugen Sie sich, dass kein Wasser in das Innere der Kühlvitrine gelangte.</li></ul>	
Innere Glasflächen	<ul style="list-style-type: none"><li>• Lebensmittelreste beseitigen.</li><li>• Mit weichem Lappen und geringer Menge eines milden Reinigungsmittels abreiben. Überzeugen Sie sich, dass kein Wasser oder Feuchtigkeit in das Innere der Kühlvitrine gelangte.</li></ul>	
Glastüren		

### Lagerung der Kühlvitrine während einer Unterbrechung der Nutzung

- **Hinweis:** Die Kühlvitrine immer von der Stromversorgungsquelle trennen.
- Aus der Kühlvitrine sind sämtliche Lebensmittel und Getränke zu entfernen.
- Waschen Sie die Kühlvitrine entsprechend den Hinweisen im Punkt Reinigung und Wartung (siehe ==> Reinigung und Wartung).
- Lagern Sie die Kühlvitrine an einem kühlen, sauberen Ort außerhalb der Reichweite von Kindern.

## Fehlerbeseitigung

Wenn das Gerät nicht richtig funktioniert, muss man sich zum Finden der richtigen Lösung mit der nachfolgenden Tabelle vertraut machen. Wenn Sie

das Problem nicht lösen können, dann setzen Sie sich bitte mit dem Lieferanten in Verbindung.

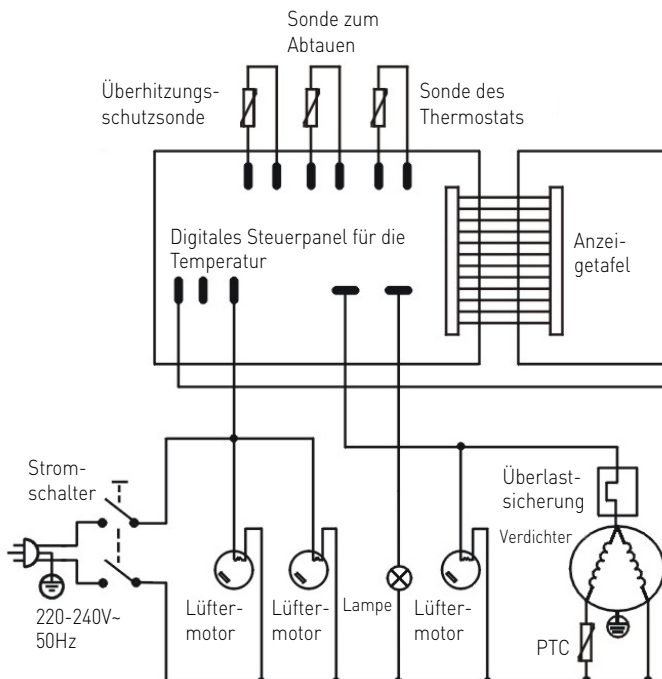
Problem	Mögliche Ursache	Mögliche Lösung
Die Kühlvitrine beginnt nach dem Anschließen an die Stromversorgung nicht mit dem Kühlvorgang.	Thermische Sicherung wurde ausgelöst.	Setzen Sie sich zwecks Reparatur des Gerätes mit dem Lieferanten/Dienstleister in Verbindung.
	Verdichter ist beschädigt.	
	Stecker ist nicht richtig an die Elektrosteckdose angeschlossen.	Überprüfen und überzeugen Sie sich, ob alle Elemente richtig angeschlossen sind.
Kühlung ist zu schwach.	Kühlvitrine ist einer zu starken Sonneneinstrahlung ausgesetzt oder steht zu nahe an einer Wärmequelle.	Stellen Sie das Gerät an einen anderen Ort, weit entfernt von einer direkten Sonneneinstrahlung.
	Türen sind nicht richtig geschlossen oder die Dichtung ist beschädigt.	Türen richtig schließen.
	In der Kühlvitrine befinden sich zu viele Lebensmittel.	Nehmen Sie einen Teil der Lebensmittel aus der Kühlvitrine.
	Die Lüftung rundum das Gerät ist unzureichend.	Überzeugen Sie sich, ob für die Kühlvitrine eine richtige Belüftung garantiert wird bzw. rundum ein Freiraum von 10 cm belassen wurde.
Kühlvitrine erzeugt zu viel Lärm.	Das Gerät ist nicht in horizontaler Lage aufgestellt.	Überzeugen Sie sich, ob das Gerät in horizontaler Lage aufgestellt wurde.
	Kühlvitrine berührt eine Wand oder andere Objekte.	Überzeugen Sie sich, ob rundum die Kühlvitrine ein Freiraum von mindestens 10 cm belassen wurde.
	Innerhalb der Kühlvitrine befinden sich lose Elemente.	Setzen Sie sich mit dem Lieferanten/Dienstleister zwecks Reparatur des Gerätes in Verbindung.

## Technische Spezifikation

Nr. des Produktes	233276	233283
Betriebsspannung und Frequenz	220-240V~ /50Hz	
Nominale Leistungsaufnahme	495W	500W
Einstellung der Temperatur	Im Bereich von 2°C bis 6°C	
Schutzgrad	Klasse I	
Klimaklasse	4	
Kühlmedium / Menge des eingespritzten Mittels	R290/ 90g	R290/ 110g
Lichtleistung	4*1.5W (LED)	4*1.5W (LED)
Nennstrom	2.8A	2.9A
Brennbares Schaummittel	C <sub>5</sub> H <sub>10</sub>	
Lärmpegel	< 70 dB (A)	
Rauminhalt der Kühlvitrine	400L	550L
Außenabmessungen	650 x 650 x (H)1908mm	850 x 650 x (H)1908mm

**Bemerkungen: Die Technische Spezifikation kann ohne frühere Ankündigung geändert werden.**

## Elektroschaltplan (Produktes 233276, 233283)



---

## **Garantie**

Alle innerhalb von einem Jahr nach dem Kaufdatum festgestellten Defekte oder Mängel, die die Funktionalität des Gerätes beeinträchtigen, werden auf dem Wege der unentgeltlichen Reparatur bzw. des Austausches unter der Voraussetzung beseitigt, dass das Gerät in einer der Bedienungsanleitung gemäßen Art und Weise betrieben und gewartet wird und weder vorsätzlich vernichtet noch nicht bestimmungsgemäß genutzt wurde. Ihre Rechte aus den entsprechenden Gesetzen

bleiben davon unberührt. Eine in der Garantiefrist einzureichende Beanstandung hat die Angabe des Kaufortes und Kaufdatums und in der Anlage einen Kaufbeleg (z.B. Kassenzettel) zu enthalten.

Gemäß unserer Politik der ständigen Weiterentwicklung unserer Produkte behalten wir uns vor, Änderungen am Produkt, an seiner Verpackung und an den dokumentierten technischen Daten ohne vorherige Ankündigung vorzunehmen.

---

## **Entsorgung und Umweltschutz**

Wird das Gerät außer Betrieb genommen, darf es nicht über den Hausmüll entsorgt werden. Der Benutzer ist für die Übergabe des Gerätes an eine geeignete Sammelstelle für Altgeräte verantwortlich. Die Nichteinhaltung dieser Regel kann gemäß den geltenden Vorschriften über die Abfallentsorgung bestraft werden. Die getrennte Sammlung und das Recycling der Altgeräte trägt zur Schonung der natürlichen Ressourcen

bei und sorgt für eine umwelt- und gesundheitsschonende Verwertungsweise. Weitere Informationen darüber, wo Sie Ihre Altgeräte entsorgen können, erhalten Sie bei Ihrem örtlichen Entsorgungsunternehmen. Der Hersteller und der Importeur übernehmen keine Verantwortung für das Recycling sowie die umweltfreundliche Verwertung von Abfällen, weder direkt noch über ein öffentliches System.

Geachte klant,

Hartelijk dank voor de aankoop van dit Arktic apparaat. Leest u deze gebruiksaanwijzing zorgvuldig voordat u het apparaat gebruikt, dit om schade door verkeerd gebruik te voorkomen. Lees vooral de veiligheidsinstructies aandachtig door.

## Veiligheidsinstructies

- Onjuiste bediening en verkeerd gebruik van het apparaat kan ernstige schade aan het apparaat en verwonding van personen tot gevolg hebben.
- Dit apparaat is enkel bedoeld voor commercieel gebruik.
- Het apparaat mag alleen worden gebruikt voor het doel waarvoor het werd ontworpen. De fabrikant aanvaardt geen enkele aansprakelijkheid voor schade als gevolg van onjuiste bediening en verkeerd gebruik.
- Zorg dat het apparaat en de stekker niet met water of een andere vloeistof in aanraking komen. Mocht het apparaat onverhoopt in het water vallen, trek dan onmiddellijk de stekker uit het stopcontact en laat het apparaat controleren door een erkend vakman. Niet-naleving hiervan kan levensgevaar opleveren.
- Probeer nooit zelf de behuizing van het apparaat te openen.
- Steek geen voorwerpen in de behuizing van het apparaat.
- Raak de stekker niet met natte of vochtige handen aan.
- **Gevaar van elektrische schokken!** Probeer het apparaat niet zelf te repareren. In het geval van storingen, laat reparaties alleen uitvoeren door gekwalificeerd personeel.
- **Gebruik nooit een beschadigd apparaat!** Als het apparaat is beschadigd, haal de stekker dan uit het stopcontact en neem contact op met de winkel.
- **Waarschuwing!** Dompel de elektrische onderdelen van het apparaat niet onder in water of andere vloeistoffen. Houd het apparaat nooit onder stromend water.
- Controleer de stekker en het netsnoer regelmatig op schade. Als de stekker of het netsnoer is beschadigd, moet het worden vervangen door de technische dienst of een soortgelijk gekwalificeerd persoon om gevaar of letsel te voorkomen.
- Zorg ervoor dat het netsnoer niet in contact komt met scherpe of hete voorwerpen en houd het uit de buurt van open vuur. Als u de stekker uit het stopcontact wilt halen, trek dan altijd aan de stekker en niet aan het netsnoer.
- Zorg ervoor dat niemand per ongeluk aan het netsnoer (of verlengsnoer) kan trekken of kan struikelen over het netsnoer.
- Houd het apparaat in de gaten tijdens gebruik.
- **Waarschuwing!** Zolang de stekker in het stopcontact zit, is het apparaat aangesloten op de voedingsbron.
- Schakel het apparaat uit voordat u de stekker uit het stopcontact trekt.
- Draag het apparaat nooit aan het netsnoer.
- Gebruik geen extra hulpmiddelen die niet worden meegeleverd met het apparaat.
- Sluit het apparaat alleen aan op een stopcontact met de spanning en frequentie die is vermeld op het typeplaatje.
- Sluit de stekker aan op een stopcontact dat eenvoudig bereikt kan worden, zodat de

stekker in geval van nood onmiddellijk uit het stopcontact kan worden getrokken. Trek de stekker volledig uit het stopcontact om het apparaat volledig uit te schakelen. Gebruik de stekker om het apparaat los te koppelen van het lichtnet.

- Schakel het apparaat altijd uit voordat u de stekker uit het stopcontact trekt.
- Gebruik nooit accessoires die niet worden aanbevolen door de fabrikant. Zij kunnen mogelijk een veiligheidsrisico vormen voor de gebruiker en kunnen het apparaat mogelijk beschadigen. Gebruik alleen originele onderdelen en accessoires.
- Dit apparaat is niet geschikt voor gebruik door personen (inclusief kinderen) met een verminderd fysiek, sensorisch of geestelijk vermogen, of gebrek aan ervaring en kennis.
- Dit apparaat mag onder geen enkele omstandigheid worden gebruikt door kinderen.
- Houd het apparaat en het netsnoer buiten bereik van kinderen.
- Kinderen mogen niet met het apparaat spelen.
- Koppel het apparaat altijd los van het lichtnet als het onbeheerd wordt achtergelaten en voordat het apparaat wordt gemonteerd, gedemonteerd of gereinigd.
- Laat het apparaat nooit onbeheerd achter tijdens gebruik.

---

## Speciale voorzorgsmaatregelen

- Dit apparaat is bestemd voor het kortstondig bewaren en tonen van levensmiddelen, zoals desserts waaronder cake of verpakte voedingsmiddelen, sla, groenten, dranken, fruit, etc. bij lage temperatuur. Dit apparaat kan de temperatuur van levensmiddelen continu binnen de voorgeschreven limieten houden wanneer het apparaat is ingeschakeld en de gekoelde bedrijfstemperatuur heeft bereikt. Bewaar geen andere materialen in dit apparaat. Plaats geen gevaarlijke producten, zoals brandstof, alcohol, verf, brandbare stoffen, explosieven, etc. in of in de buurt van dit apparaat. Er mogen geen medicijnen in dit apparaat worden bewaard.
- Producten die in het apparaat worden geplaatst moeten al voorgekoeld zijn. Als dit niet het geval is, kan vocht dat verdampt tijdens het koelen van voedsel condenseren in het de koelruimte, wat natuurlijk is en niet duidt op een defect aan het apparaat.
- Dit apparaat moet worden geïnstalleerd en na ingebruikname worden onderhouden door een gekwalificeerd of opgeleid persoon. En dit apparaat is bedoeld om gebruikt te worden door getraind of gekwalificeerd personeel, zoals keuken- of barpersoneel.
- **WAARSCHUWING:** Gebruik geen mechanische apparaten of andere middelen om het ontdooiproces te versnellen, tenzij deze worden aanbevolen door de fabrikant.
- **WAARSCHUWING:** Beschadig het koelcircuit niet.



**Let op! Gevaar voor brand!** Het gebruikte koelmiddel is R290. Dit is een ontvlambaar koelmiddel dat milieuvriendelijk is. Hoewel het ontvlambaar is, beschadigt het de ozonlaag niet en het draagt niet bij aan het broeikaseffect. Het gebruik van het koelmiddel leidt echter wel tot een lichte toename van het geluidsniveau van het apparaat. Het is mogelijk dat u, naast het geluid van de compressor, ook het koelmiddel hoort stromen in het systeem. Dit is onvermijdelijk en heeft geen nadelig effect op de prestaties van het apparaat. Tijdens het transport en

de installatie van het apparaat moet erop worden gelet dat er geen onderdelen van het koelsysteem worden beschadigd. Lekkend koelmiddel kan uw ogen schaden.

- Het schuimblaasmiddel dat in dit apparaat wordt gebruikt is  $C_5H_{10}$ . Het is licht ontvlambaar.
- **WAARSCHUWING:** Houd alle ventilatieopeningen in de behuizing van het apparaat vrij. Zorg bij inbouw voor voldoende ventilatie in de omliggende structuur. Blokkeer de luchtinlaat en -uitlaat nooit om een goede luchtcirculatie te behouden.
- **WAARSCHUWING:** Gebruik geen elektrische apparaten in de voedselopslagruimte van het apparaat, tenzij deze van het type zijn die worden aanbevolen door de fabrikant.
- Plaats het apparaat uitsluitend op een schone, stabiele, droge en vlakke ondergrond.
- Houd het apparaat uit de buurt van warme oppervlakken en open vlammen. Bescherm het apparaat tegen stof, direct zonlicht, vocht en druppelend en spattend water.
- Laat tijdens het gebruik een ruimte van 10 cm vrij rond het apparaat voor ventilatie.
- Gebruik geen hard keukengerei op het glazen oppervlak. Gebruik geen waterstralen of stoomreiniger tijdens het schoonmaken en dompel het apparaat niet onder in water, omdat de onderdelen van het apparaat dan nat worden en dit kan leiden tot elektrische schokken.
- Plaats geen voorwerpen op het apparaat. Plaats geen open vuurbonnen (bijv. kaarsen) op of naast het apparaat. Plaats geen voorwerpen gevuld met vloeistof (bijv. vazen) op of in de buurt van het apparaat.
- Bedek het apparaat nooit tijdens gebruik. Dit kan brandgevaar veroorzaken.
- Was het apparaat niet met water. Wassen kan leiden tot lekkages en het risico op elektrische schokken verhogen.
- Maak geen extra openingen in het apparaat. Installeer geen gadgets in het apparaat.
- Overbelast de schappen in het product niet om schade te voorkomen. De maximale belasting van elk schap is ca. 18kg.
- Probeer niet op het apparaat te klimmen.

NL

### Het apparaat installeren

- Het apparaat mag niet worden gekanteld onder een hoek groter dan  $45^\circ$ . Wacht nadat het apparaat is geïnstalleerd 2 uur alvorens het aan te sluiten op het lichtnet en in te schakelen. Dit geldt ook als het apparaat op een later tijdstip wordt verplaatst.
- Het apparaat moet altijd worden geïnstalleerd in een droge omgeving.
- Laat tijdens de installatie minimaal 10 cm ruimte vrij aan de achter-, linker- en rechterkant voor voldoende ventilatie. Als u minder ruimte vrij laat voor ventilatie kan dit de efficiëntie beïnvloeden.
- We raden sterk aan het apparaat te installeren op een plaats met goede natuurlijke ventilatie om de ventilatie-eigenschappen optimaal te benutten.

### Elektrische onderdelen en andere gevaren

- Er mogen geen andere apparaten op hetzelfde stopcontact als dit apparaat worden aangesloten.
- Plaats geen gevaarlijke producten, zoals brandstof, alcohol, verf, brandbare stoffen,



explosieven, etc. in of in de buurt van dit apparaat, omdat dit kan leiden tot brandgevaar.

- Bewaar geen medicijnen in dit apparaat.
- Als u het apparaat heeft uitgeschakeld of losgekoppeld van het lichtnet, wacht dan ongeveer 5 minuten voordat u het apparaat opnieuw inschakelt.
- Was het apparaat niet met water. Wassen kan lekkage veroorzaken en het risico op elektrische schokken verhogen. Geen van de onderdelen/accessoires mag worden gewassen in de vaatwasser.

---

### **Beoogd gebruik**

- Het apparaat is bestemd voor professioneel gebruik.
- Dit apparaat is uitsluitend bestemd om voedsel en drankjes koel te houden en te presenteren voor verkoop in restaurants, kantines en andere commerciële ondernemingen zoals bakkerijen, slagerijen, supermarkten, enz. Elk ander gebruik kan leiden tot schade aan het apparaat of lichamelijk letsel.
- Gebruik van het apparaat voor andere doeleinden wordt beschouwd als verkeerd gebruik van het apparaat. De gebruiker is volledig aansprakelijk voor alle risico's die voortvloeien uit verkeerd gebruik van het apparaat.

---

### **Installatie met aarding**

Dit apparaat is geclassificeerd als beschermingsklasse I en moet worden aangesloten op een aansluiting met aarde. Aarding verlaagt de kans op elektrische schokken doordat elektrische stroom via een ontsnappingsdraad kan weglopen. Dit ap-

paraat is uitgerust met een snoer met een aarde-draad en een geaarde stekker. De stekker moet in een stopcontact worden gestoken dat juist is geïnstalleerd en geaard.

## De verschillende gebruiksonderdelen

### Luchtuitlaat

- Blokkeer de luchtuitlaat nooit. Laat koude lucht die in het apparaat circuleert naar buiten stromen.

### Schap

- De hoogte van het schap kan worden aangepast voor verschillende producten. Om aan te passen:
  - 1) Haal het schap eruit
  - 2) Zet de schapsteun op geschikte hoogte.
  - 3) Plaats het schap op de steun

### Luchtinlaat

- Blokkeer de luchtinlaat nooit. Er wordt lucht naar binnen gezogen en koude lucht circuleert in de koelruimte.

### Glazen deur

### Digitale controller

### Aan/uit-knop

### Wiel



NL

## Vorbereiding op eerste gebruik

Verwijder alle verpakkingsmaterialen.

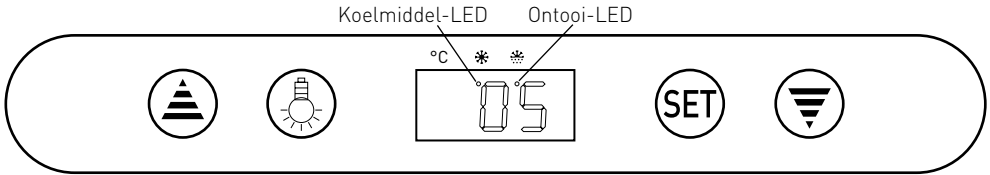
- Controleer op volledigheid en eventuele transportschade. Neem in geval van schade of een onvolledige levering contact op met uw leverancier (Zie == > Garantie).
- Reinig alle onderdelen zoals beschreven (Zie == > Reiniging en onderhoud).

- Plaats alle schappen in het apparaat.

**Opmerking:** Door fabricageresten kan het apparaat de eerste gebruikscyclus een lichte geur afgeven. Dit is normaal en duidt niet op een defect of gevaar. Zorg ervoor dat het apparaat goed wordt geventileerd.

## Bediening

- Sluit de stekker aan op een geschikt stopcontact. Laat het apparaat, voordat u drankjes of voedsel in het apparaat plaatst, enkele uren werken om de koeltemperatuur te bereiken.



### • Bediening digitale temperatuurregelaar

#### 1). De temperatuur instellen

- Druk op om de instelmodus te openen. De ingestelde temperatuur wordt getoond.
- Druk op of om de ingestelde temperatuur te verhogen of verlagen.
- Druk nogmaals op om de instelling te bevestigen en te verlaten. Daarna wordt de temperatuur in de kast weergegeven

### Opmerking:

- Als er binnen 10 seconden geen knoppen worden ingedrukt, zal de nieuw ingestelde temperatuur worden opgeslagen.
- De temperatuur kan worden ingesteld van 2°C tot 6°C. De werkelijke temperatuur in het apparaat kan worden beïnvloed door de omgevingstemperatuur.
- Houd de deur zo kort mogelijk open om de temperatuur in de kast zo laag te houden

#### 2). Verlichting in de kast

- Druk op om de lamp in te schakelen. Druk nogmaals op om de lamp uit te schakelen.

#### 3). Koelmiddel-LED

- Tijdens het koelen (compressor ingeschakeld), zal deze koelmiddel-LED constant opgelicht zijn.
- Nadat de temperatuur in de kast de ingestelde temperatuur heeft bereikt, zal de koelmiddel-LED continu knipperen.
- De koelmiddel-LED schakelt uit als het ontdooien start.

#### 4). Ontdooi-LED

- Tijdens het ontdooien zal de ontdooi-LED constant branden.
- De ontdooi-LED schakelt uit als het ontdooien is voltooid.

## Reiniging en onderhoud

**Let op:** Haal de stekker van het apparaat altijd uit het stopcontact alvorens reinigings- & onderhoudswerkzaamheden uit te voeren.

### Reiniging

- De binnen- en buitenoppervlakken mogen worden gereinigd met een vochtige doek en een beetje reinigingsmiddel.
- De schappen kunnen worden verwijderd en mogen worden gewassen in water.
- Gebruik geen waterstraal of stoomreiniger voor het reinigen en dompel het apparaat niet onder in water.
- Geen van de onderdelen mogen worden gewassen in de vaatwasser.
- Reinig het apparaat regelmatig.

Onderdelen	Hoe te reinigen	Opmerking
Alle accessoires zoals schappen, schaphouders, etc.	<ul style="list-style-type: none"><li>• Laat voor ongeveer 10 tot 20 minuten weken in een warm zeepsopje.</li><li>• Spoel grondig af onder de kraan.</li></ul>	Droog alle onderdelen goed na het reinigen.
Externe glasoppervlakken	<ul style="list-style-type: none"><li>• Veeg schoon met een zachte doek en een beetje neutraal reinigingsmiddel. Zorg ervoor dat er geen water of vocht in het apparaat kan binnendringen.</li></ul>	
Interne glasoppervlakken	<ul style="list-style-type: none"><li>• Verwijder eventuele voedselafzettingen.</li><li>• Veeg schoon met een zachte doek en een beetje mild reinigingsmiddel. Zorg ervoor dat er geen water of vocht in het apparaat kan binnendringen.</li></ul>	
Glazen deur		

### Het apparaat langdurig buiten gebruik stellen

- **Let op:** Haal de stekker van het apparaat altijd uit het stopcontact.
- Verwijder alle voedingsmiddelen en dranken uit het apparaat.
- Reinig het apparaat zoals beschreven onder "Reiniging en onderhoud. (Zie == > Reiniging).
- Bewaar het apparaat op een koele, schone plaats en houd het buiten het bereik van kinderen.

## Problemen oplossen

Als het apparaat niet naar behoren functioneert, raadpleeg dan de onderstaande tabel voor een oplossing. Als u het probleem nog steeds niet kunt

oplossen, neem contact op met de leverancier/dienstverlener.

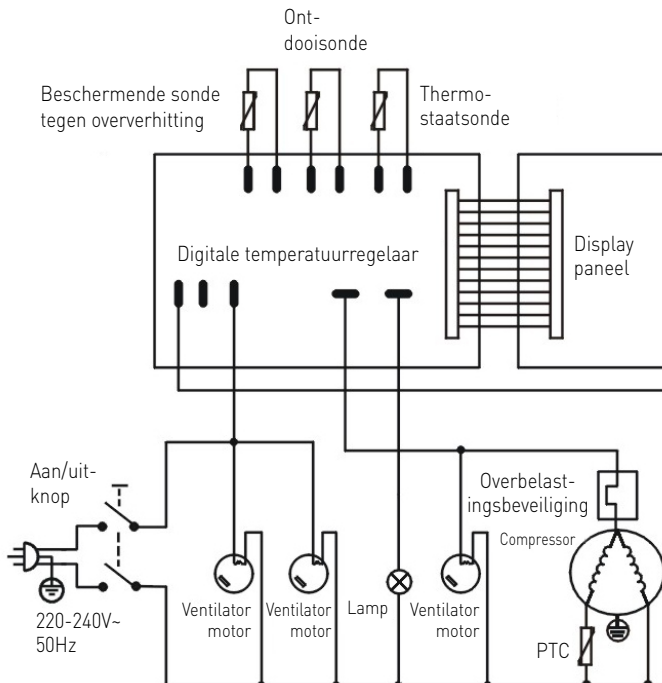
Problemen	Mogelijke oorzaak	Mogelijke oplossing
Het apparaat start niet met koelen nadat het is aangesloten op het lichtnet.	Thermische beveiliging geactiveerd.	Neem contact op met de leverancier/dienstverlener voor reparatie.
	De compressor is defect.	
	The stekker is niet juist op het stopcontact aangesloten.	Controleer de aansluiting en zorg ervoor dat alle aansluitingen juist zijn aangesloten.
Apparaat koelt niet voldoende.	Het apparaat wordt teveel blootgesteld aan direct zonlicht of staat te dicht in de buurt van een warmtebron.	Verplaats het apparaat naar een nieuwe locatie, om blootstelling aan direct zonlicht te voorkomen.
	De deuren zijn niet goed gesloten of de afdichting is defect.	Sluit de deuren goed.
	Teveel voedsel in het apparaat geplaatst.	Plaats minder voedsel in het apparaat.
	Ventilatie onvoldoende.	Controleer of er voldoende ventilatie is en of het apparaat minimaal 10cm uit de buurt van wanden of andere voorwerpen is geplaatst.
Teveel geluid	Het apparaat is niet horizontaal geplaatst.	Controleer en zorg ervoor dat apparaat horizontaal is geplaatst.
	Het apparaat staat in contact met de wand of andere voorwerpen.	Controleer en zorg ervoor dat het apparaat minimaal 10 cm van andere voorwerpen en wanden is geplaatst.
	Er zitten enkele losse onderdelen in het apparaat.	Neem contact op met leverancier/dienstverlener voor reparatie.

## Technische specificaties

Itemnr.	233276	233283
Bedrijfsspanning en frequentie	220-240V~ /50Hz	
Nominaal ingangsvermogen	495W	500W
Instellen temperatuur	Instellen van 2°C tot 6°C	
Beschermingsklasse	Klasse I	
Klimaatklasse	4	
Gebruikt koelmiddel en insputtingshoeveelheid	R290/ 90g	R290/ 110g
Vermogen van de lamp	4*1.5W (LED)	4*1.5W (LED)
Nominale stroom	2.8A	2.9A
Ontvlambaar schuimmiddel	C <sub>5</sub> H <sub>10</sub>	
Geluidsniveau	< 70 dB (A)	
Capaciteit in kast	400L	550L
Buitenafmetingen	650 x 650 x (H)1908mm	850 x 650 x (H)1908mm

**Opmerking: Technische specificaties onderhevig aan verandering zonder kennisgeving.**

## Elektrisch schema (Itemnr. 233276, 233283)



---

## Garantie

Elk defect waardoor de werking van het apparaat nadelig wordt beïnvloed dat zich binnen één jaar na aankoop van het apparaat voordoet, wordt gratis hersteld door reparatie of vervanging, mits het apparaat conform de instructies gebruikt en onderhouden en niet op enigerlei wijze verkeerd is behandeld of misbruikt. Dit laat onverlet uw bij wet bepaalde rechten. Als de garantie van kracht

is, vermeld dan waar en wanneer u het apparaat hebt gekocht en sluit een aankoopbewijs bij (bijv. kassabon of factuur).

Gezien ons streven naar voortdurende verdere productontwikkeling behouden wij ons het recht voor, zonder voorafgaande kennisgeving wijzigingen aan te brengen aan product, verpakking en documentatie.

---

## Verwijdering & milieu

Bij de buitengebruikstelling van het apparaat, mag het niet met het overige huisafval worden verwijderd. In plaats daarvan is het uw verantwoordelijkheid om uw afgedankte apparatuur in te leveren bij een daartoe aangewezen inzamelpunt. Het niet opvolgen van deze regel kan worden bestraft in overeenstemming met de geldende voorschriften voor afvalverwerking. De gescheiden inzameling en recycling van uw afgedankte apparatuur ten tijde van buitengebruikstelling helpt bij de instand-

houding van natuurlijke hulpbronnen en waarborgt dat de apparatuur wordt gerecycled op een manier die de volksgezondheid en het milieu beschermt. Voor meer informatie over waar u uw afval kunt inleveren voor recycling kunt u contact opnemen met uw lokale afvalverwerkingsbedrijf. De fabrikant en importeurs nemen geen verantwoordelijkheid voor de recycling, behandeling en ecologische verwijdering, hetzij rechtstreeks of via een openbaar systeem.

Szanowny Kliencie,

Dziękujemy za zakup urządzenia firmy Arktic. Prosimy o uważne zapoznanie się z niniejszą instrukcją przed podłączeniem urządzenia, aby uniknąć uszkodzeń spowodowanych niewłaściwą obsługą. Należy zwrócić szczególną uwagę na zasady bezpieczeństwa.

## Zasady bezpieczeństwa

- Nieprawidłowa obsługa i niewłaściwe użytkowanie mogą spowodować poważne uszkodzenie urządzenia lub zranienie osób.
- Niniejsze urządzenie przeznaczone jest wyłącznie do użytku komercyjnego.
- Urządzenie należy stosować wyłącznie zgodnie z przeznaczeniem. Producent nie ponosi żadnej odpowiedzialności za szkody spowodowane nieprawidłową obsługą i niewłaściwym użytkowaniem urządzenia.
- W czasie użytkowania zabezpiecz urządzenie i wtyczkę kabla zasilającego przed kontaktem z wodą lub innymi płynami. W mało prawdopodobnym przypadku zanurzenia urządzenia w wodzie, należy natychmiast wyciągnąć wtyczkę z kontaktu, a następnie zlecić kontrolę urządzenia specjalście. Nieprzestrzeganie tej instrukcji może spowodować zagrożenie życia.
- Nigdy nie otwieraj samodzielnie obudowy urządzenia.
- Nie wtykaj żadnych przedmiotów w obudowę urządzenia.
- Nie dotykaj wtyczki kabla zasilającego wilgotnymi rękami.
- **Niebezpieczeństwo porażenia prądem!** Nie należy samodzielnie naprawiać urządzenia. Wszelkie usterki i niesprawności winny być usuwane wyłącznie przez wykwalifikowany personel.
- **Nigdy nie używać uszkodzonego urządzenia!** Uszkodzone urządzenie należy odłączyć od sieci i skontaktować się ze sprzedawcą.
- **Ostrzeżenie:** Nie zanurzać części elektrycznych urządzenia w wodzie ani w innych płynach. Nie wkładać urządzenia pod bieżącą wodę.
- Regularnie sprawdzać wtyczkę i sznur zasilający pod kątem uszkodzeń. Uszkodzoną wtyczkę lub sznur przekazać w celu naprawy do punktu serwisowego lub innej wykwalifikowanej osoby, aby zapobiec ewentualnym zagrożeniom i obrażeniom ciała.
- Upewnić się, czy sznur zasilający nie styka się z ostrymi ani gorącymi przedmiotami; trzymać sznur z dala od otwartego płomienia. Aby wyjąć wtyczkę z gniazdka, zawsze ciągnąć za wtyczkę, a nie za sznur.
- Zabezpieczyć sznur zasilający (lub przedłużający) przez przypadkowym wyciągnięciem z kontaktu. Sznur prowadzić w sposób uniemożliwiający przypadkowe potknięcie.
- Stałe nadzorować urządzenie podczas użytkowania.
- Ostrzeżenie! Jeżeli wtyczka jest włożona do gniazdka, urządzenie należy uważać za podłączone do zasilania.
- Przed wyjęciem wtyczki z gniazdka wyłączyć urządzenie!
- Nigdy nie przenosić urządzenia, trzymając za sznur.
- Nie używać żadnych akcesoriów, które nie zostały dostarczone wraz z urządzeniem.



- Urządzenie należy podłączać wyłącznie do gniazdka o napięciu i częstotliwości podanych na tabliczce znamionowej.
- Włożyć wtyczkę do gniazdka zlokalizowanego w dogodnym łatwo dostępnym miejscu, tak by w przypadku awarii istniała możliwość natychmiastowego odłączenia urządzenia. W celu całkowitego wyłączenia urządzenia odłączyć je od źródła zasilania. W tym celu wyjąć z gniazdka wtyczkę znajdującą się na końcu sznura odłączanego urządzenia.
- Przed odłączeniem wtyczki zawsze pamiętać o wyłączeniu urządzenia!
- Nie korzystać z akcesoriów niezalecanych przez producenta. Zastosowanie niezalecanych akcesoriów może stwarzać zagrożenie dla użytkownika oraz prowadzić do uszkodzenia urządzenia. Korzystać wyłącznie z oryginalnych części i akcesoriów.
- Z urządzenia nie mogą korzystać osoby (także dzieci), u których stwierdzono osłabione zdolności fizyczne, sensoryczne lub umysłowe, albo którym brakuje odpowiedniej wiedzy i doświadczenia.
- W żadnym wypadku nie zezwalać na obsługę urządzenia przez dzieci.
- Urządzenie wraz ze sznurem przechowywać poza zasięgiem dzieci.
- Nie dopuścić, by dzieci wykorzystywały urządzenie do zabawy.
- Zawsze odłączyć urządzenie od zasilania, jeżeli ma być ono pozostawione bez nadzoru, a także przed montażem, demontażem i czyszczeniem.
- Nie zostawiać urządzenia bez nadzoru podczas użytkowania.

---

## Szczególne przepisy bezpieczeństwa

- Urządzenie jest przeznaczone do krótkotrwałego przechowywania i wystawiania produktów spożywczych, takich jak desery, w tym ciasta lub pakowane sałaty, warzywa, napoje, owoce itp. w niskiej temperaturze. To urządzenie jest zdolne do ciągłego utrzymywania temperatury artykułów spożywczych w określonych granicach w chłodnej temperaturze roboczej. Nie przechowuj w urządzeniu innych produktów. Nie umieszczaj w szafie chłodniczej lub w jej pobliżu produktów niebezpiecznych takich jak paliwo, alkohol, farby, materiały łatwopalne i wybuchowe itp. Nie przechowuj w urządzeniu lekarstw. Wewnątrz urządzenia nie można przechowywać lekarstw.
- Produkty umieszczane w szafie chłodniczej muszą zostać wcześniej schłodzone. W przeciwnym przypadku para wydobywająca się ze schładzanych produktów może skroplić się wewnątrz komory chłodzenia - jest to zjawisko normalne i nie wskazuje na uszkodzenie urządzenia.
- Niniejsze urządzenie musi zostać zamontowane, oddane do użytku oraz serwisowane przez wykwalifikowany lub przeszkolony personel. Urządzenie powinno być obsługiwane przez odpowiednio przeszkolony lub wykwalifikowany personel, np. personel kuchenny lub osoby obsługujące bar
- **OSTRZEŻENIE:** Nie używaj przyrządów mechanicznych ani narzędzi innych niż zalecane przez producenta w celu przyspieszenia procesu odmrażania.
- **OSTRZEŻENIE:** Nie wolno doprowadzić do uszkodzenia obiegu czynnika chłodniczego.



- **Uwaga! Niebezpieczeństwo powstania ognia!** W urządzeniu wykorzystany jest czynnik chłodniczy R290. Jest to przyjazny dla środowiska łatwopalny czynnik chłodniczy. Chociaż czynnik jest łatwopalny, nie jest szkodliwy dla warstwy ozonowej i nie ma wpływu na efekt cieplarniany. Wykorzystanie tego czynnika chłodniczego prowadzi jednak do nieznacznego podwyższenia poziomu hałasu wytwarzanego przez urządzenie. Poza hałasem generowanym przez sprężarkę, użytkownik może usłyszeć dźwięk spowodowany przepływem czynnika chłodniczego. Powyższego zjawiska nie da się uniknąć i nie ma on negatywnego wpływu na funkcjonowanie urządzenia. Podczas transportu i ustawiania urządzenia należy zachować szczególną ostrożność, by nie uszkodzić żadnych części systemu chłodniczego. Wyciekający czynnik chłodniczy może prowadzić do uszkodzenia oczu.
- W tym urządzeniu zastosowano porofor piankowy C<sub>5</sub>H<sub>10</sub>. Jest wysoce łatwopalny.
- **OSTRZEŻENIE:** Nie zastanawiaj otworów wentylacyjnych obudowy urządzenia. W przypadku zabudowania urządzenia upewnij się, czy ma ono zapewnioną właściwą wentylację. Nigdy nie blokuj przepływu powietrza wokół urządzenia, aby zapewnić właściwą cyrkulację powietrza.
- **OSTRZEŻENIE:** Wewnątrz komór szafy chłodniczej nie używaj urządzeń elektrycznych innych niż zalecane przez producenta.
- Urządzenie ustaw wyłącznie na czystej, stabilnej, suchej i poziomej powierzchni.
- Przechowuj z dala od gorących powierzchni i otwartego ognia. Upewnij się, czy urządzenie nie jest narażone na działanie wysokich temperatur, pyłu, promieni słonecznych, wilgoci, kapiącej wody i rozbryzgów.
- Upewnij się, czy wokół urządzenia zachowana została 10 cm przestrzeń w celu zapewnienia właściwej wentylacji.
- Nie uderzaj twardymi narzędziami w szklaną powierzchnię urządzenia. Nie czyść urządzenia za pomocą bezpośredniego strumienia wody lub myjki parowej, nie zanurzaj całego urządzenia w wodzie ze względu na ryzyko porażenia prądem.
- Nie kładź żadnych przedmiotów na urządzeniu. W pobliżu urządzenia nie umieszczaj żadnych źródeł otwartego ognia (np. zapalonych świec). W pobliżu urządzenia nie umieszczaj żadnych przedmiotów napęcznionych wodą (np. wazonów).
- Nie przykrywaj urządzenia w trakcie eksploatacji. Stwarza to niebezpieczeństwo pożaru.
- Nie czyść urządzenia za pomocą wody. Mycie urządzenia może spowodować przedostanie się wody do części elektrycznych i doprowadzić do porażenia prądem.
- Nie wywiercaj żadnych dodatkowych otworów w urządzeniu. Nie montuj żadnych dodatkowych akcesoriów na urządzeniu.
- Nie umieszczaj w środku urządzenia dużej ilości żywności, aby zapobiec jego uszkodzeniu. Maksymalne obciążenie każdej półki wynosi ok. 18 kg.
- Nie próbuj wchodzić na urządzenie.

## Montaż urządzenia

- Urządzenie nie powinno stać przechylone pod kątem większym niż 45°. Po przeprowadzeniu montażu urządzenia odczekaj 2 godziny przed podłączeniem go do źródła zasilania i uruchomieniem. Powyższe zalecenie dotyczy również sytuacji, gdy urządzenie jest w późniejszym terminie przestawiane w inne miejsce.
- Urządzenie musi zostać zamontowane w suchym miejscu.
- Podczas montażu pozostaw co najmniej 10 cm przestrzeni z tyłu oraz po obu stronach urządzenia w celu zapewnienia właściwej wentylacji. Pozostawienie mniejszej przestrzeni może mieć wpływ na wydajność urządzenia.
- Zaleca się montaż urządzenia w miejscu o dobrej wentylacji naturalnej, dzięki czemu urządzenie będzie odpowiednio wentylowane.

## Elementy elektryczne i inne zagrożenia

- Żaden inny sprzęt nie powinien być podłączony do tego samego źródła zasilania, do którego podłączone jest urządzenie.
- Nie umieszczaj w szafie chłodniczej lub w jej pobliżu produktów niebezpiecznych takich jak paliwo, alkohol, farba, materiały łatwopalne i wybuchowe itp. - niebezpieczeństwo pożaru.
- W urządzeniu nie przechowuj leków.
- Po wyłączeniu lub odłączeniu urządzenia od źródła zasilania, odczekaj ok. 5 minut przed jego ponownym uruchomieniem.
- Nie czyść urządzenia za pomocą wody. Mycie urządzenia może spowodować przedostanie się wody do części elektrycznych i doprowadzić do porażenia prądem. Części/akcesoria urządzenia nie nadają się do mycia w zmywarce.

PL

---

## Przeznaczenie

- Urządzenie przeznaczone jest do zastosowania profesjonalnego.
- Urządzenie jest przeznaczone wyłącznie do przechowywania żywności lub napojów w stanie schłodzonym i wyświetlania ich w sprzedaży detalicznej w restauracjach, stołówkach i innych obiektach komercyjnych, takich jak piekarnie, sklepy mięsne, supermarkety itp. Użycie urządzenia w jakimkolwiek innym celu może prowadzić do jego uszkodzenia bądź obrażeń ciała.
- Wykorzystanie urządzenia w jakimkolwiek innym celu uznane będzie za wykorzystanie niezgodne z przeznaczeniem. Użytkownik będzie wyłącznie odpowiedzialny za nieprawidłowe wykorzystanie urządzenia.

---

## Montaż uziemienia

Szafa chłodnicza jest urządzeniem I klasy ochronności i wymaga uziemienia. Uziemienie zmniejsza ryzyko porażenia prądem, dzięki zastosowaniu przewodu odprowadzającego prąd elektryczny.

Urządzenie wyposażone jest w przewód z uziemieniem z wtykiem uziemiającym. Nie wkładaj wtyczki do kontaktu, jeśli urządzenie nie zostało odpowiednio zainstalowane i uziemione.

## Części urządzenia

### Wylot powietrza

- Nigdy nie blokuj miejsce wylotu powietrza. Przez otwór wylotu chłodne powietrze odprowadzane jest na zewnątrz urządzenia.

### Półka

- Potożenie półki może być regulowane i dostosowywane do różnego rodzaju żywności. Regulacja półki:
  - 1) Wyjmij półkę.
  - 2) Przetóż wspornik półki na wymagane potożenie.
  - 3) Umieść półkę z powrotem na wspornikach.

### Zasysanie powietrza

- Nigdy nie blokuj miejsca zasysania powietrza. Powietrze jest zasysane i zimne powietrze cyrkuluje wewnątrz szafy chłodniczej.

### Szklane drzwi

### Regulator cyfrowy

### Wyłącznik

### Rolka



## Przed pierwszym użyciem

Zdejmij i usuń opakowanie i zabezpieczenia.

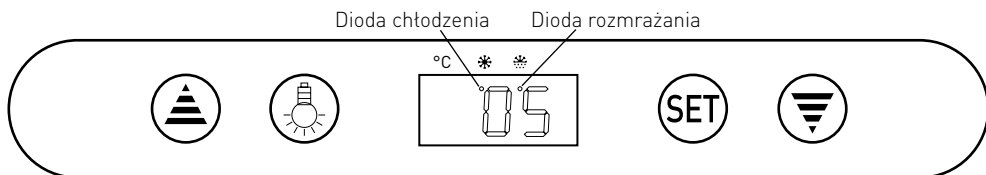
- Sprawdź urządzenie pod kątem kompletności. W przypadku niepełnej dostawy lub uszkodzeń skontaktuj się z dostawcą (patrz: Gwarancja).
- Wyczyść wszystkie części urządzenia zgodnie z instrukcją (Patrz=>> Czyszczenie i konserwacja).
- Umieść wszystkie półki w urządzeniu.

**Uwaga:** Ze względu na pozostałości z procesu produkcyjnego, podczas kilku pierwszych uruchomień z urządzenia może wydobywać się nieprzyjemny zapach. Jest to zjawisko normalne i nie świadczy o uszkodzeniu urządzenia ani zagrożeniu dla użytkownika. Sprawdź, czy urządzenie jest dobrze wentylowane.

## Użytkowanie



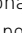
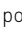
- Podłącz wtyczkę do odpowiedniego gniazdka elektrycznego. Przed umieszczeniem w urządzeniu żywności i napojów, pozostaw je włączone na kilka

godzin, by osiągnęto właściwa temperaturę chłodzenia.



## • Obsługa cyfrowego panelu regulacji temperatury



### 1). Ustawienie temperatury

- Wciśnij , aby wejść w tryb ustawień. Na wyświetlaczu pojawi się ustawiona temperatura.
- Wciśnij  lub  aby zwiększyć lub zmniejszyć ustawioną temperaturę.
- Wciśnij ponownie , aby potwierdzić wprowadzoną temperaturę i wyjść. Na wyświetlaczu pojawi się ustawiona temperatura wewnątrz szafy.

### Uwaga:

- Jeśli w ciągu 10 sekund nie zostanie wciśnięty żaden przycisk, szafa chłodnicza ustawi nowo wprowadzoną temperaturę.
- Zakres ustawienia temperatury: od 2°C do 6°C. Na zmianę temperatury wewnątrz produktu może wpływać temperatura otoczenia.
- Aby utrzymać niską temperaturę wewnątrz szafy, nie otwieraj jej drzwi na zbyt długo.

### 2). Ustawienie światła wewnątrz szafy

- Wciśnij , aby włączyć światło wewnątrz szafy. Wciśnij ponownie , aby je wyłączyć.

### 3). Dioda chłodzenia

- Podczas chłodzenia szafy (uruchomiony kompresor), dioda chłodzenia będzie się nieprzerwanie palić.
- Kiedy wewnątrz szafy chłodniczej uzyskana zostanie ustalona temperatura, dioda chłodzenia będzie migać.
- Dioda chłodzenia zgaśnie w momencie rozpoczęcia rozmrażania.

### 4). Dioda rozmrażania

- Podczas rozmrażania szafy, dioda rozmrażania będzie się nieprzerwanie palić.
- Po zakończeniu rozmrażania, dioda rozmrażania zgaśnie.

## Czyszczenie i konserwacja

**Uwaga:** Przed czyszczeniem i konserwacją zawsze odłącz urządzenie od źródła zasilania wyjmując wtyczkę z gniazdka.

### Czyszczenie

- Powierzchnie wewnętrzne i zewnętrzne urządzenia można czyścić przy pomocy wilgotnej ściereczki z niewielką ilością detergentu.
- Półki można wyjąć z urządzenia i umyć zanurzając w wodzie.
- Do czyszczenia urządzenia nie używaj bezpośredniego strumienia wody, myjki parowej, ani nie zanurzaj całego urządzenia w wodzie.
- Części urządzenia nie mogą być czyszczone w zmywarce.
- Czyść urządzenie regularnie.

Części	Czyszczenie	Uwagi
Części urządzenia takie jak półki, wsporniki do nich itp.	<ul style="list-style-type: none"><li>• Zanurz w ciepłej wodzie z mydłem na ok. 10-20 minut.</li><li>• Sptucz dokładnie pod bieżącą wodą.</li></ul>	Dokładnie wysusz wszystkie części.
Zewnętrzne powierzchnie szklane	<ul style="list-style-type: none"><li>• Wytrzyj miękką szmatką z niewielką ilością neutralnego detergentu. Upewnij się, czy do wnętrza urządzenia nie przedostała się woda lub wilgoć.</li></ul>	
Wewnętrzne powierzchnie szklane	<ul style="list-style-type: none"><li>• Usuń resztki żywności.</li><li>• Wytrzyj miękką szmatką z niewielką ilością łagodnego detergentu. Upewnij się, czy do wnętrza urządzenia nie przedostała się woda lub wilgoć.</li></ul>	
Szklane drzwi		

### Przechowywanie urządzenia podczas przerwy w użytkowaniu

- **Uwaga:** Zawsze odłącz urządzenie ze źródła zasilania.
- Usuń z urządzenia wszelką żywność i napoje.
- Umyj urządzenie zgodnie ze wskazówkami zawartymi w punkcie Czyszczenie i konserwacja. (Patrz=> Czyszczenie i konserwacja).
- Przechowuj urządzenie w chłodnym, czystym miejscu poza zasięgiem dzieci.

## Wyszukiwanie i usuwanie usterek

Jeśli urządzenie nie działa prawidłowo, zapoznaj się z poniższą tabelą w celu znalezienia prawidłowego rozwiązania. Jeśli nie możesz rozwiązać problemu, skontaktuj się z dostawcą.

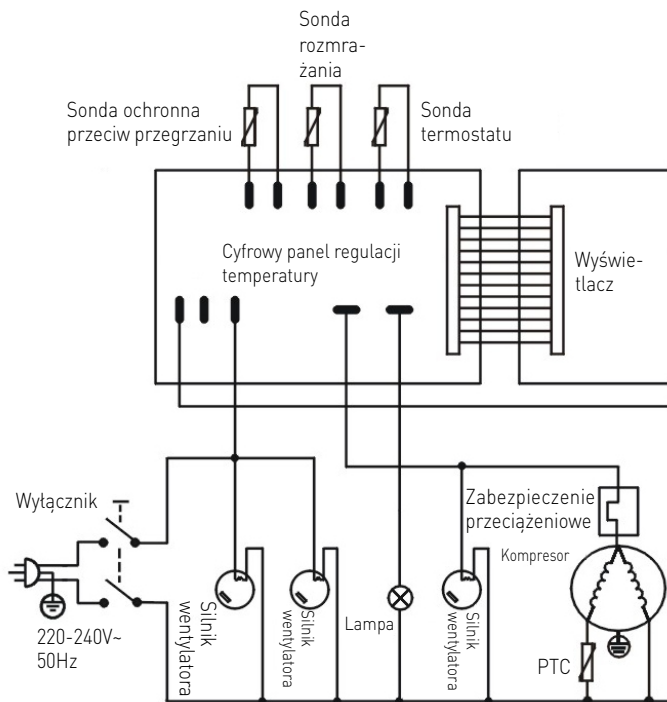
Problem	Możliwa przyczyna	Możliwe rozwiązanie
Urządzenie nie rozpoczyna procesu chłodzenia po podłączeniu do zasilania.	Uruchomił się bezpiecznik termiczny	Skontaktuj się z dostawcą / usługodawcą w celu naprawy urządzenia.
	Kompresor jest uszkodzony.	
	Wtyczka nie jest prawidłowo podłączona do gniazdka elektrycznego.	Sprawdź i upewnij się, czy wszystkie elementy są prawidłowo podłączone.
Chłodzenie jest zbyt słabe.	Urządzenie wystawione jest na silne działanie promieni słonecznych lub ustawione jest blisko źródła ciepła.	Przestaw urządzenie w inne miejsce, z dala od bezpośrednich promieni słonecznych..
	Urządzenie wystawione jest na silne działanie promieni słonecznych lub ustawione jest blisko źródła ciepła.	Zamknij prawidłowo drzwi.
	W urządzeniu znajduje się zbyt dużo żywności.	Wymij z urządzenia część żywności.
	Niewystarczająca wentylacja wokół urządzenia.	Upewnij się, czy urządzenie ma zagwarantowaną właściwą wentylację poprzez pozostawienie 10 cm przestrzeni wokół niego.
Urządzenie generuje dużo hałasu.	Urządzenie nie jest ustawione w pozycji poziomej.	Upewnij się, czy urządzenie ustawione zostało w pozycji poziomej.
	Urządzenie styka się ze ścianą lub innymi obiektami.	Upewnij się, czy wokół urządzenia znajduje się co najmniej 10 cm przestrzeni.
	Wewnątrz urządzenia znajdują się obciążone elementy.	Skontaktuj się z dostawcą / usługodawcą w celu naprawy urządzenia.

## Specyfikacja techniczna

Nr produktu	233276	233283
Napięcie robocze i częstotliwość	220-240V~ /50Hz	
Znamionowy pobór mocy	495W	500W
Ustawienie temperatury	W zakresie od 2°C do 6°C	
Stopień ochrony	Klasa I	
Klasa klimatyczna	4	
Czynnik chłodniczy / ilość wtryskiwanego czynnika	R290/ 90g	R290/ 110g
Moc światłą	4*1.5W (LED)	4*1.5W (LED)
Prąd znamionowy	2.8A	2.9A
Łatwopalny środek pianący	C <sub>5</sub> H <sub>10</sub>	
Poziom hałasu	< 70 dB (A)	
Pojemność szafy	400L	550L
Wymiary zewnętrzne	650 x 650 x (H)1908mm	850 x 650 x (H)1908mm

**Uwagi:** Specyfikacja techniczna może ulec zmianie bez uprzedzenia.

## Schemat elektryczny (produktu 233276, 233283)





## Gwarancja

Każda usterka powodująca zte funkcjonowanie urządzenia, która ujawni się w ciągu jednego roku od zakupu, zostanie bezpłatnie usunięta lub urządzenie zostanie wymienione na inne, pod warunkiem, że było użytkowane i konserwowane zgodnie z instrukcją obsługi i nie było wykorzystywane do innych celów lub w jakikolwiek inny niewłaściwy sposób. Nie narusza to innych praw użytkownika, wynikających z przepisów prawa. W przypadku ko-

rzystania z gwarancji, należy podać miejsce i czas zakupu urządzenia, dotychczas do niego dowód zakupu (np. paragon).

Zgodnie z naszą polityką ciągłego udoskonalania produktów zastrzegamy sobie prawo do wprowadzania zmian w produkcie, opakowaniu oraz specyfikacjach zawartych w dokumentacji bez uprzedniego powiadomienia.

## Wycofanie z użytkowania i ochrona środowiska

### Pamiętaj!

**Nie wyrzucaj zużytego sprzętu łącznie z innymi odpadami**

**Nie demontuj zużytych urządzeń zawierających niebezpieczne składniki na własną rękę!**

**Grożą Ci za to kary grzywny!**

Po zakończeniu eksploatacji produktu nie wolno gromadzić razem z odpadami komunalnymi, tylko należy odstawić do punktu odbioru odpadów elektrycznych i elektronicznych. Użytkownik ponosi odpowiedzialność za przekazanie wycofanego z użytkowania urządzenia do punktu gospodarowania odpadami. Nieprzestrzeganie tej zasady może być karane zgodnie z lokalnie obowiązującymi przepisami dotyczącymi gospodarowania odpadami. Jeśli urządzenie wycofane z użytkowania jest poprawnie odebrane jako osobny odpad, może zostać przetworzone i zutyliczowane w sposób przyjazny dla środowiska, co zmniejsza negatywny wpływ na środowisko i zdrowie ludzi. Aby uzyskać więcej informacji dotyczących dostępnych usług w zakresie odbioru odpadów, należy skontaktować się z lokalną firmą odbierającą odpady.



**Symbol przekreślonego kosza na śmieci oznacza, że tego produktu nie wolno wyrzucać do zwykłych pojemników na odpady.**

Zużyte urządzenia elektryczne i elektroniczne mogą zawierać niebezpieczne składniki np. rtęć, ołów, kadm lub freon. Jeśli tego typu substancje przedostaną się w sposób niekontrolowany do środowiska, spowodują skażenie wody i gleby, a także wptyną niekorzystnie na zdrowie ludzi i zwierząt.

Właściwe postępowanie ze zużytym sprzętem zapobiega potencjalnym negatywnym konsekwencjom dla środowiska naturalnego i ludzkiego zdrowia.

Jednocześnie oszczędzamy naturalne zasoby naszej Ziemi wykorzystując powtórnie surowce uzyskane z przetwarzania sprzętu.

Cher client,

Merci d'avoir acheté cet appareil de Arktic. Veuillez lire attentivement ce mode d'emploi avant de brancher l'appareil afin d'éviter tout endommagement pour cause d'usage abusif. Veuillez notamment lire les consignes de sécurité avec la plus grande attention.

## Règles de sécurité

- L'utilisation abusive et le maniement incorrect de l'appareil peuvent entraîner une grave détérioration de l'appareil ou provoquer des blessures.
- Cet appareil est destiné à un usage professionnel uniquement.
- L'appareil doit être utilisé uniquement pour le but il a été conçu. Le fabricant décline toute responsabilité en cas de dommage consécutif à un usage abusif ou un maniement incorrect.
- Veillez à tenir l'appareil et la prise électrique hors de portée de l'eau ou de tout autre liquide. Si malencontreusement l'appareil tombe dans l'eau, débranchez immédiatement la prise électrique et faites contrôler l'appareil par un réparateur agréé. La non-observation de cette consigne entraîne un risque d'accident mortel.
- Ne tentez jamais de démonter vous-même le bâti de l'appareil.
- N'enfoncez aucun objet dans la carcasse de l'appareil.
- Ne touchez pas la prise avec les mains mouillées ou humides.
- **Risque d'électrocution!** Ne tentez jamais de réparer l'appareil. Tous défauts et dysfonctionnement doivent être supprimés par le personnel qualifié.
- **N'utilisez jamais l'appareil endommagé!** Débranchez l'appareil endommagé de l'alimentation électrique et contactez votre revendeur.
- **Avertissement:** N'immergez pas les pièces électriques de l'appareil dans l'eau ou dans d'autres liquides. Ne mettez pas l'appareil sous l'eau courante.
- Vérifiez régulièrement la fiche et le câble d'alimentation pour les dommages. La fiche ou le câble d'alimentation endommagé(e) transmettre pour la réparation au service ou à une personne qualifiée, pour prévenir tous les menaces ou les blessures possibles.
- Assurez-vous que le câble d'alimentation n'est pas en contact avec les objets pointus ou chauds ; gardez le câble loin des flammes nues. Pour retirer la fiche de la prise murale, tirez toujours en tenant la fiche et non le câble d'alimentation.
- Protégez le câble d'alimentation (ou la rallonge) contre le débranchement accidentel de la prise murale. Le câble doit être posé de manière ne provoquant pas les chutes accidentelles.
- Surveillez en permanence l'appareil pendant l'utilisation.
- Avertissement ! Si la fiche est insérée dans la prise murale, l'appareil doit être considéré comme branché à l'alimentation.
- Avant de retirer la fiche de la prise, éteignez l'appareil !
- Ne transportez jamais l'appareil en tenant le câble.
- N'utilisez aucuns accessoires qui n'ont pas été fournis avec l'appareil.
- L'appareil doit être branché à la prise murale avec une tension et la fréquence indiquées

sur la plaque signalétique.

- Insérez la fiche à la prise murale située dans un endroit facilement accessible de sorte qu'en cas de panne l'appareil puisse être immédiatement déconnecté. Pour éteindre complètement l'appareil, débranchez-le de la source d'alimentation. Pour cela, retirez la fiche à l'extrémité du câble d'alimentation de la prise murale.
- Eteignez l'appareil avant de débrancher l'appareil de la prise!
- N'utilisez jamais les accessoires non recommandés par le fabricant. L'utilisation des accessoires non recommandés peut présenter des risques pour l'utilisateur et provoquer les dommages à l'appareil. Utilisez uniquement des pièces et accessoires originaux.
- Cet appareil n'est pas apte à être utilisé par des personnes (enfants compris) avec capacités physiques, sensorielles ou intellectuelles diminuées ou ne possédant pas l'expérience et les connaissances suffisantes.
- Ne laissez jamais les enfants utiliser l'appareil.
- L'appareil et le câble d'alimentation doivent être stockés hors de la portée des enfants.
- Ne permettez pas aux enfants d'utiliser l'appareil pour jouer
- Débranchez toujours l'appareil de l'alimentation s'il doit être laissé sans surveillance et également avant le montage, le démontage et le nettoyage.
- Ne laissez jamais l'appareil sans surveillance lorsqu'il est utilisé.

---

## Consignes particulières de sécurité

- Cet appareil est conçu pour le stockage et l'exposition à court terme de produits alimentaires tels que des desserts, notamment des gâteaux, ou de la salade en sachet, des légumes, des boissons, des fruits, etc. à basse température. Cet appareil est capable de maintenir en permanence la température des produits alimentaires dans les limites prescrites à une température de service fraîche. Ne stockez pas dans l'appareil d'autres produits. Ne placez pas dans le réfrigérateur ou à proximité des produits dangereux tels que le carburant, l'alcool, la peinture, les matériaux inflammables et explosifs. Aucun médicament ne doit être conservé dans l'appareil.
- Les produits placés dans le réfrigérateur doivent être prérefroidis. Dans le cas contraire, la vapeur qui est émise par les produits réfrigérés peut se condenser à l'intérieur de la chambre de refroidissement – ce phénomène est normal et ne signifie pas un mauvais fonctionnement de l'appareil.
- Le présent appareil doit être installé et mis en service et entretenu par un personnel qualifié ou formé. L'appareil doit être utilisé par du personnel par exemple par les employés de la cuisine ou du bar.
- **AVERTISSEMENT:** N'utilisez jamais de dispositifs mécaniques ou des outils autres que ceux recommandés par le fabricant pour accélérer le dégivrage.
- **AVERTISSEMENT:** Faites attention à ne pas endommager le circuit du réfrigérant.



**Attention ! Risque d'incendie !** Dans l'appareil est utilisé le réfrigérant R290. C'est un réfrigérant inflammable respectueux de l'environnement. Bien qu'il soit inflammable, il n'est pas dangereux pour la couche d'ozone et il n'affecte pas l'effet de serre. Cependant, l'utilisation de ce réfrigérant pro-

voque une légère augmentation du niveau de bruit produit par l'appareil. En outre du bruit généré par le compresseur, l'utilisateur peut entendre un bruit provoqué par le flux de réfrigérant. Le phénomène décrit ci-dessus est inévitable mais il ne provoque aucun impact négatif sur le fonctionnement de l'appareil. Pendant le transport et l'installation de l'appareil, il faut garder des précautions particulières pour ne pas endommager les pièces du système de réfrigération. La fuite du réfrigérant peut causer les lésions oculaires.

- L'agent d'expansion de mousse utilisé dans cet appareil est le C<sub>5</sub>H<sub>10</sub>. Il est hautement inflammable.
- **AVERTISSEMENT:** N'obstruez pas les bouches de ventilation dans le boîtier de l'appareil. En cas d'installation fixe de l'appareil, assurez-vous qu'il y a une ventilation adéquate. Ne bloquez jamais de flux d'air autour de l'appareil pour ne pas entraîner une bonne circulation d'air.
- **AVERTISSEMENT:** N'utilisez pas à l'intérieur des chambres du réfrigérateur de l'équipement électrique autre que ceux recommandés par le fabricant.
- Placez l'appareil sur une surface propre, stable, plane et sec.
- Stockez loin des surfaces chaudes et des flammes nues. Assurez-vous que l'appareil n'est pas exposé à des températures élevées, à la poussière, à la lumière du soleil, à l'humidité, aux éclaboussures et aux gouttes d'eau.
- Laissez au moins 10 cm d'espace autour de l'appareil pour assurer une bonne ventilation.
- Ne frappez pas les éléments en verre avec des outils durs. Ne nettoyez pas l'appareil à l'aide d'un jet d'eau direct ou un nettoyeur à vapeur, ne rincez pas à l'eau – risque d'un choc électrique, n'immergez pas l'appareil dans l'eau à cause du risque de choc électrique.
- Ne placez rien sur l'appareil. Ne placez pas près de l'appareil ou sur l'appareil d'objets brûlants (par exemple des bougies allumées). Ne placez pas près de l'appareil ou sur l'appareil d'objets remplis d'eau (par exemple des vases).
- Ne couvrez pas l'appareil lors de l'utilisation en raison du risque d'incendie.
- Ne nettoyez pas l'appareil avec de l'eau. Le lavage de l'appareil peut provoquer la pénétration de l'eau dans des pièces électriques et entraîner un choc électrique.
- Ne percez pas les trous supplémentaires dans l'appareil. Ne montez aucun équipement supplémentaire dans l'appareil.
- Ne placez pas à l'intérieur de l'appareil trop de nourriture pour éviter tout dommage. La charge maximale de l'étagère est de 18 kg environ.
- N'essayez pas d'entrer sur l'appareil.

## Installation de l'appareil

- L'appareil ne doit pas être incliné à un angle supérieur à 45°. Après l'installation de l'appareil, attendez 2 heures avant de connecter l'appareil à une source d'alimentation et avant de le mettre en marche. Cette recommandation vaut également lorsque l'appareil est déplacé dans un autre endroit.
- L'appareil doit être monté dans un endroit sec.

- Lors de l'installation, laissez au moins 10 cm à l'arrière et des deux côtés de l'appareil pour assurer une ventilation adéquate. Si vous laissez moins d'espace, cela peut affecter l'efficacité de l'appareil.
- Il est recommandé d'installer l'appareil dans un endroit avec une bonne ventilation naturelle, de sorte que l'appareil est correctement ventilé.

### **Éléments électriques et autres risques**

- Ne branchez aucun autre équipement à la même source d'alimentation à laquelle l'appareil est connecté.
- Ne placez pas dans le réfrigérateur ou à proximité des produits dangereux tels que le carburant, l'alcool, la peinture, les matériaux inflammables et explosifs en raison du risque d'incendie.
- Ne stockez pas dans le réfrigérateur des médicaments.
- Après avoir débranché l'appareil de la source d'alimentation, attendez environ 5 minutes avant de le redémarrer.
- Le lavage de l'appareil peut provoquer la pénétration de l'eau dans des pièces électriques et entraîner un choc électrique. Aucune pièce ou aucun accessoire de l'appareil ne peuvent pas être lavé(s) au lave-vaisselle.

---

### **Destination de l'appareil**

- L'appareil est destiné à un usage professionnel.
- Cet appareil est conçu uniquement pour conserver au frais des aliments et des boissons et pour les exposer à la vente dans les restaurants, les cantines, d'autres entreprises commerciales comme les boulangeries, les boucheries, les supermarchés, etc. L'utilisation de l'appareil à

d'autres fins peut entraîner des dommages ou des blessures.

- L'utilisation de l'appareil à d'autres fins sera considérée comme une utilisation inappropriée. L'utilisateur sera seul responsable de l'utilisation incorrecte de l'appareil.

FR

---

### **Mise à la terre**

Le réfrigérateur est un appareil de la 1ère classe de protection et doit être obligatoirement mis à la terre. La mise à la terre réduit le risque de choc électrique grâce à un conduit évacuant le courant

électrique. L'appareil est équipé d'un conduit avec la mise à la terre et la prise de terre. N'insérez pas la fiche à la prise murale si l'appareil n'a pas été correctement installé et mis à la terre.

## Éléments de l'appareil

### Sortie d'air

- Ne bloquez jamais l'endroit de la sortie d'air. L'air frais est évacué par le trou de la sortie à l'extérieur de l'appareil.

### Etagère

- La position de l'étagère peut être réglée et adaptée aux différents types d'aliments :
  - 1) Retirez l'étagère.
  - 2) Déplacez le support de l'étagère dans la position souhaitée.
  - 3) Placez l'étagère sur les supports.

### Aspiration de l'air

- Ne bloquez jamais l'endroit de l'aspiration de l'air ; L'air est aspiré et l'air froid circule à l'intérieur du réfrigérateur.

### Porte en verre

### Contrôleur numérique

### Interrupteur d'alimentation

### Roulette



FR

## Avant la première utilisation

Retirez et éliminez l'emballage et toutes les protections.

- Vérifiez l'appareil et les accessoires en ce qui concerne l'intégralité. En cas de livraison incomplète ou de dommages, contactez votre fournisseur (voir=> Garantie).
- Nettoyez toutes les parties de l'appareil selon les instructions (Voir=> Nettoyage et entretien).

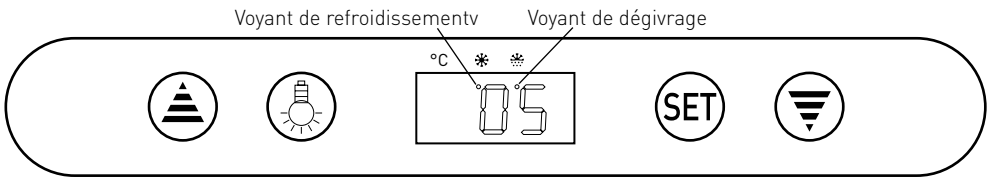
- Placez toutes les étagères dans l'appareil.

**Attention:** En raison des résidus de production, l'appareil peut émettre une odeur désagréable au début du fonctionnement. Ce phénomène est tout à fait normal et ne signifie pas un mauvais fonctionnement ou le fonctionnement dangereux. Assurez-vous que l'appareil est bien ventilé.

## Fonctionnement

- Branchez la fiche à une prise électrique appropriée. Avant de placer les aliments et les boissons dans l'appareil, laissez-le allumé pendant

quelques heures pour atteindre la température de refroidissement correcte.



### • Putting the appliance out of reach for a long period of time

#### 1). Réglage de la température

- Appuyez sur (SET) , pour accéder au mode de réglage. L'écran affiche la température de consigne.
- Appuyez sur (▲) ou (▼) pour augmenter ou réduire la température réglée.
- Appuyez encore une fois sur (SET) pour confirmer la température réglée et pour quitter. L'écran affiche la température réglée à l'intérieur du réfrigérateur.

#### Attention :

- Si dans les 10 secondes aucun bouton n'est appuyé, le réfrigérateur retourne de nouveau à la température de consigne.
- La plage de réglage de la température : de 2°C à 6°C. La variation de la température réelle à l'intérieur de l'appareil peut être influencée par la température ambiante.
- Pour maintenir la température basse dans le réfrigérateur, n'ouvrez pas la porte trop longtemps.

#### 2). Le réglage de l'éclairage à l'intérieur du réfrigérateur.

- Appuyez sur (☹) pour allumer l'éclairage à l'intérieur du réfrigérateur. Appuyez à nouveau (☹) pour l'éteindre.

#### 3). Voyant de refroidissement

- Pendant le refroidissement (compresseur en marche), le voyant de refroidissement est allumé en permanence.

- Lorsqu'à l'intérieur du réfrigérateur la température réglée est atteinte, le voyant du refroidissement commence à clignoter.
- Le voyant de refroidissement s'éteint au début de dégivrage.

#### 4). Voyant de dégivrage

- Pendant le dégivrage du réfrigérateur, le voyant de dégivrage est allumé en permanence.

- Après avoir terminé le dégivrage, le voyant s'éteint.

## Nettoyage et entretien

**Attention:** Avant le nettoyage et l'entretien de l'appareil, débranchez l'appareil de la source d'alimentation en retirant la fiche de la prise électrique.

### Nettoyage

- Nettoyez les surfaces internes et externes de l'appareil avec un chiffon humide avec une petite quantité de détergent.
- Les étagères peuvent être retirées de l'appareil et lavées dans l'eau.
- N'utilisez pas pour le nettoyage les jets d'eau et les nettoyeurs à vapeur et n'immergez pas l'appareil entier dans l'eau.
- Certains éléments de l'appareil peuvent être nettoyés au lave-vaisselle.
- Nettoyez l'appareil régulièrement.

Eléments	Nettoyage	Observations
Les éléments tels que les étagères, les supports des étagères etc.	<ul style="list-style-type: none"><li>• Rincez à l'eau tiède savonneuse pendant 10-20 minutes.</li><li>• Rincez précisément à l'eau courante.</li></ul>	Essuyez précisément tous les éléments.
Les surfaces externes en verre	<ul style="list-style-type: none"><li>• Essuyez avec un chiffon doux et une petite quantité de détergent neutre. Assurez-vous que l'eau ou l'humidité ne pénètrent pas à l'intérieur de l'appareil.</li></ul>	
Les surfaces internes en verre	<ul style="list-style-type: none"><li>• Retirez les restes de nourriture.</li><li>• Essuyez avec un chiffon doux et une petite quantité de détergent neutre. Assurez-vous que l'eau ou l'humidité ne pénètrent pas à l'intérieur de l'appareil.</li></ul>	
Porte en verre		

FR

### Stockage de l'appareil pendant la pause dans l'utilisation

- **Attention:** Débranchez toujours l'appareil.
- Retirez de l'appareil toute la nourriture et toutes les boissons.
- Nettoyez l'appareil selon les instructions contenues dans le point Nettoyage et entretien (Voir ==> Nettoyage et entretien).
- Tenez l'appareil dans un endroit frais et propre hors de portée des enfants.



## Dépannage

Si l'appareil ne fonctionne pas correctement, lisez les instructions dans le tableau ci-dessous pour trouver une bonne solution.

Si vous ne pouvez pas résoudre le problème, contactez votre revendeur.

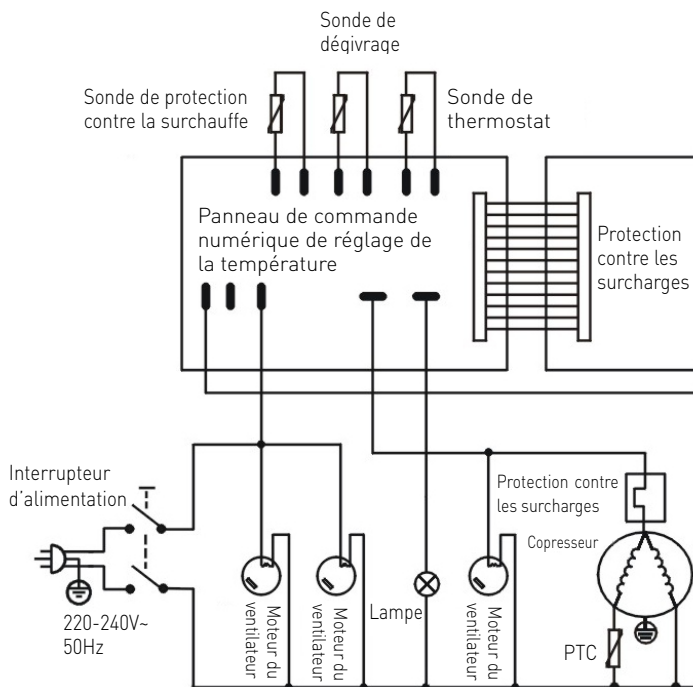
Problème	Cause possible	Solution possible
L'appareil ne démarre pas le processus de refroidissement après avoir connecté à une source d'alimentation.	Le fusible thermique s'est démarré	Contactez votre fournisseur / revendeur afin de réparer l'appareil.
	Le compresseur est endommagé.	
	La fiche est incorrectement branchée à une prise électrique.	Assurez-vous que tous les éléments de l'appareil sont correctement connectés.
Le refroidissement est trop faible	L'appareil est exposé aux rayons solaires ou positionné à proximité de la source de chaleur.	Déplacez l'appareil dans un autre endroit, à l'abri des rayons du soleil.
	La porte est mal fermée ou le joint d'étanchéité est endommagé.	Fermez bien la porte.
	Il y a trop de nourriture dans l'appareil.	Retirez une partie de nourriture.
	Une ventilation insuffisante autour de l'appareil.	Assurez-vous qu'il y a une ventilation adéquate autour de l'appareil, en laissant 10 cm d'espace autour de l'appareil
L'appareil génère beaucoup de bruit.	L'appareil n'est pas positionné dans la position horizontale.	Assurez-vous que l'appareil positionné dans la position horizontale.
	L'appareil est en contact avec le mur ou d'autres objets.	Assurez-vous qu'il y a 10 cm d'espace autour de l'appareil.
	A l'intérieur de l'appareil il y a des éléments en vrac.	Contactez votre fournisseur / revendeur afin de réparer l'appareil.

## Caractéristiques techniques

Produit n°	233276	233283
Tension et fréquence	220-240V- /50Hz	
Consommation d'énergie	495W	500W
Réglage de la température	de 2°C à 6°C	
Niveau de protection	Classe I	
Classe climatique	4	
Réfrigérant / quantité de réfrigérant	R290/ 90g	R290/ 110g
Puissance de la lumière	4*1.5W (LED)	4*1.5W (LED)
Courant nominal	2.8A	2.9A
Agent moussant inflammable	C <sub>5</sub> H <sub>10</sub>	
Niveau de bruit	< 70 dB (A)	
Capacité du réfrigérateur	400L	550L
Dimensions extérieurs	650 x 650 x (H)1908mm	850 x 650 x (H)1908mm

**Remarque : Les caractéristiques peuvent être modifiées sans préavis.**

## Schéma électrique (Produit 233276, 233283)



---

## Garantie

Tout vice ou toute défaillance entraînant un dysfonctionnement de l'appareil qui se déclare dans les 12 mois suivant la date de l'achat sera éliminé à titre gratuit ou l'appareil sera remplacé par un appareil nouveau si le premier a été dûment exploité et entretenu conformément aux termes de la notice d'exploitation et s'il n'a pas été indûment exploité ou de manière non conforme à sa destination. La présente stipulation ne porte pas de préjudice aux autres droits de l'utilisateur prévus par les dispositions légales. Dans le cas où l'appareil est donné à la réparation ou doit être remplacé

dans le cadre de la garantie, il y a lieu de spécifier le lieu et la date de l'achat de l'appareil et produire un justificatif nécessaire (par ex. facture ou ticket de caisse).

Conformément à notre politique d'amélioration permanente de nos produits, nous nous réservons le droit d'introduire sans avertissement préalable des modifications à l'appareil, à l'emballage et aux caractéristiques techniques précisées dans la documentation.

---

## Élimination et protection de l'environnement

En cas de retrait du produit de l'exploitation l'appareil ne peut pas être jeté avec d'autres déchets ménagers. L'utilisateur est responsable de la remise de l'équipement au point de collecte approprié pour l'équipement usagé. Le non-respect des dispositions ci-dessus peut entraîner les pénalités conformément à la réglementation applicable en matière d'élimination des déchets. La collecte sélective et le recyclage des équipements usagés contribuent à la conservation des ressources na-

turelles et assurent un recyclage sans danger pour la santé et l'environnement. Pour plus d'informations sur les endroits de collecte des équipements usagés pour le recyclage, contactez la société de collecte des déchets locale. Le producteur et l'importateur ne sont pas responsables du recyclage et du traitement des déchets d'une manière respectueuse de l'environnement directement et dans le système public.

Gentile cliente,

grazie per aver acquistato questo apparecchio Arctic. Ti invitiamo a leggere queste istruzioni per l'uso con attenzione prima di collegare l'apparecchio al fine di evitare danni dovuti a uso improprio. Ti invitiamo inoltre a prestare particolare attenzione alle precauzioni di sicurezza.

---

## Precauzioni di sicurezza

- L'uso scorretto e improprio dell'apparecchio possono danneggiare seriamente l'apparecchio e ferire gli utenti.
- Questo apparecchio è destinato esclusivamente all'uso commerciale.
- L'apparecchio può essere utilizzato solo per lo scopo per cui è stato concepito e progettato. Il produttore non è responsabile di eventuali danni provocati da uso scorretto ed improprio.
- Tenere l'apparecchio e la spina elettrica lontani da acqua ed altri liquidi. Nel caso improbabile che l'apparecchio cada in acqua, staccare immediatamente la spina dalla presa e fare ispezionare l'apparecchio da un tecnico certificato. L'inosservanza delle presenti istruzioni può dare luogo a situazioni pericolose
- Non provare mai ad aprire l'involucro dell'apparecchio da soli.
- Non inserire oggetti nell'involucro dell'apparecchio.
- Non toccare la presa con le mani bagnate o umide.
- **Pericoli di scosse elettriche!** Non tentare di riparare l'apparecchio da solo. Eventuali difetti e malfunzionamenti devono essere rimossi soli da personale qualificato.
- **Non usare l'apparecchio danneggiato!** L'apparecchio difettoso deve essere immediatamente scollegato dalla rete e contattare il rivenditore.
- **Attenzione:** Non immergere parti elettriche in acqua o altri liquidi. Non mettere l'apparecchio sotto l'acqua corrente.
- Controllare regolarmente se la spina e il cavo di alimentazione non sono danneggiati. La spina o il cavo danneggiati trasmettere al servizio o alla persona qualificare per riparare, per evitare eventuali pericoli e lesioni.
- Assicurarsi che il cavo di alimentazione non è in contatto con oggetti appuntiti o caldi. Tenere il cavo lontano da fiamme libere. Per scollegare la spina dalla presa, tirare sempre la spina, mai il cavo.
- Proteggere il cavo di alimentazione (o di estensione) per la sconnessione accidentale dalla presa. Disporre il cavo in modo per evitare lo slittamento accidentale.
- Sorvegliare l'apparecchio continuamente durante l'uso.
- **Attenzione!** Se la spina è inserita nella presa, l'apparecchio è considerato come collegato.
- Prima di rimuovere la spina dalla presa, spegnere l'apparecchio!
- Non trasportare l'apparecchio tenendo il cavo di alimentazione.
- Non utilizzare qualsiasi accessorio che non è stato fornito con l'apparecchio.
- L'apparecchio deve essere collegato ad una presa con tensione e frequenza indicate sulla targhetta.

- Inserire la spina nella presa situata in un punto facilmente accessibile in modo che in caso di guasto sia possibile scollegare immediatamente l'apparecchio. Per spegnere completamente l'apparecchio, scollegarlo dalla presa di corrente. Per questo staccare la spina che si trova sull'estremità del cavo di alimentazione.
- Prima di scollegare la spina, ricordarsi sempre di spegnere l'apparecchio!
- Non usare gli accessori non raccomandati dal produttore. L'uso di accessori non raccomandati può creare i rischi per l'utente e provocare i danni all'apparecchio. Usare unicamente solo pezzi ed accessori originali.
- L'installazione elettrica deve soddisfare le normative nazionali e locali applicabili. Questo apparecchio non è destinato all'uso da parte di persone (inclusi i bambini) con capacità fisiche, sensoriali o mentali ridotte, o senza esperienza e conoscenza.
- Non permettere ai bambini di utilizzare l'apparecchio.
- Tenere l'apparecchio con il cavo fuori dalla portata dei bambini.
- Non permettere ai bambini di giocare con l'apparecchio.
- Scollegare l'apparecchio dalla rete se esso deve essere lasciato incustodito e prima del montaggio, dello smontaggio o della pulizia.
- Non lasciare l'apparecchio incustodito durante l'utilizzazione.

---

## Norme di sicurezza speciali

- Questo dispositivo è progettato per la conservazione e l'esposizione a breve termine di prodotti alimentari come dessert, fra cui dolci e lattuga confezionata, verdure, bevande, frutta, ecc., a bassa temperatura. Questo dispositivo è in grado di mantenere costantemente la temperatura degli alimenti entro i limiti prescritti, a temperatura refrigerata. Non lasciare nell'apparecchio altri prodotti. Non mettere nel frigorifero o vicino i prodotti pericolosi come carburante, alcool, vernici, materiali infiammabili e esplosivi ecc. Non è consentito conservare farmaci all'interno del dispositivo.
- I prodotti messi nel frigorifero devono essere pre-refrigerati. Altrimenti, il vapore emesso dai prodotti refrigerati può condensare all'interno della camera di raffreddamento – questo è normale e non indica il malfunzionamento dell'apparecchio.
- L'apparecchio dovrebbe essere installato, messo in funzione mantenuto dal personale qualificato. L'apparecchio dovrebbe essere utilizzato dal personale di cucina o di assistenti di bar o di ristoranti addestrati o qualificati.
- **AVVERTENZA:** Non usare dispositivi meccanici o strumenti diversi da quelli consigliati dal produttore per accelerare il processo di sbrinamento.
- **AVVERTENZA:** Fare attenzione non danneggiare il circuito del refrigerante.



**Attenzione! Pericolo di incendio!** Il refrigerante utilizzato nel dispositivo è R290. È un refrigerante infiammabile rispettoso dell'ambiente. Anche se il refrigerante è infiammabile, non è dannoso per lo strato di ozono e non ha alcun impatto sull'effetto serra. Però, l'uso di questo refrigerante provoca un leggero aumento del livello di rumore emesso dal dispositivo. Oltre al rumore generato dal compressore l'utente può sentire anche il rumore causato dal flusso di refrigerante. Il fenomeno sopra descritto non può essere evitato e non ha alcun effetto negativo

sul funzionamento del dispositivo. Durante il trasporto e il posizionamento del dispositivo, si deve prestare particolare attenzione a non danneggiare alcuna parte del sistema di refrigerazione. La perdita di refrigerante può causare danni agli occhi.

- L'agente schiumogeno utilizzato in questo apparecchio è C<sub>5</sub>H<sub>10</sub>. È una sostanza altamente infiammabile.
- **AVVERTENZA:** Non ostruire le aperture dell'involucro dell'apparecchio. In caso di installazione fissa dell'apparecchio, assicurarsi che c'è una ventilazione adeguata. Non bloccare il flusso d'aria intorno all'apparecchio per garantire una buona circolazione dell'aria.
- **AVVERTENZA:** Non utilizzare all'interno delle camere del frigorifero apparecchi elettrici altri da quelli raccomandati dal fabbricante.
- L'apparecchio deve essere posto su una superficie pulita, stabile, asciutta e orizzontale.
- Tenere lontano da superfici calde e fiamme libere. Assicurarsi che l'apparecchio non è esposto a temperature elevate, polvere, luce solare, umidità, sprizzi e gocce d'acqua.
- Assicurarsi che intorno all'apparecchio è stato lasciato circa 10 cm di spazio per garantire una corretta ventilazione.
- Non colpire le parti in vetro con gli strumenti rigidi. Non pulire l'apparecchio utilizzando il flusso diretto di acqua o il pulitore a vapore, non immergere tutto l'apparecchio in acqua per le ragioni del rischio di scossa elettrica.
- Non mettere qualsiasi oggetto sull'apparecchio. Non mettere vicino all'apparecchio o sull'apparecchio qualsiasi oggetto che brucia (ad es. candele). Non mettere vicino all'apparecchio qualsiasi oggetto con l'acqua (p. es. vasi).
- Non coprire l'apparecchio durante il funzionamento. Questo crea un pericolo di incendio.
- Non pulire la macchina con acqua. La pulizia dell'apparecchio può provocare la penetrazione dell'acqua nelle parti elettriche e provocare scossa elettrica.
- Non eseguire fori supplementari nell'apparecchio. Non installare apparecchiature aggiuntive sull'apparecchio.
- Non sovraccaricare i ripiani interni per evitare danni. La portata massima di ogni ripiano è circa 18 kg.
- Non cercare di entrare sull'apparecchio.

## Installazione dell'apparecchio

- L'apparecchio non deve essere inclinato di un angolo maggiore di 45°. Dopo l'installazione aspettare due ore prima di collegarlo ad una fonte di alimentazione e avviarlo. Questa raccomandazione si applica anche quando l'apparecchio è successivamente spostato in un altro luogo.
- L'apparecchio deve essere installato in un luogo asciutto.
- Durante l'installazione lasciare almeno 10 cm di spazio dal retro e su entrambi i lati dell'unità per assicurare un'adeguata ventilazione. Lasciando meno spazio, si può influire sulle prestazioni dell'apparecchio.
- Si raccomanda di installare l'apparecchio in un luogo con una buona ventilazione naturale, in modo che l'apparecchio sia correttamente ventilato.

## Elementi elettrici e altri pericoli

- Non si deve collegare qualsiasi altro apparecchio alla stessa sorgente di alimentazione.
- Non mettere nel frigorifero o vicino i prodotti pericolosi come carburante, alcool, vernici, materiali infiammabili e esplosivi – pericolo di incendio.
- Non conservare nel frigorifero i farmaci.
- Dopo aver spento o scollegato l'apparecchio dalla fonte di alimentazione, attendere circa 5 minuti prima di riavviare.
- Non pulire la macchina con acqua. La pulizia dell'apparecchio può provocare la penetrazione dell'acqua nelle parti elettriche e provocare scossa elettrica. Le parti e gli accessori dell'apparecchio non possono essere lavati in lavastoviglie.

## Destinazione del dispositivo

- Il dispositivo è destinato all'uso professionale.
- Questo dispositivo è progettato solo per conservare alimenti o bevande, in condizioni di refrigerazione e per esporli per la vendita al dettaglio in ristoranti, mense, altri esercizi commerciali come panifici, macellerie, supermercati, ecc.

L'uso del dispositivo per qualsiasi altro scopo può causare danni o lesioni.

- L'uso del dispositivo per qualsiasi altro scopo sarà considerato un uso improprio. L'utente sarà l'unico responsabile per l'uso scorretto del dispositivo.

## Messa a terra

Il frigorifero è l'apparecchio della I classe di protezione e deve essere messo a terra. La messa a terra riduce il rischio di scosse elettriche grazie al cavo evacuante il corrente elettrico. L'apparecchio

è dotato di un cavo con una messa a terra. Non inserire la spina nella presa di corrente se l'apparecchio non è stato correttamente installato o messo a terra.

## Elementi dell'apparecchi

### Uscita dell'aria

- Non ostruire il punto di uscita dell'aria. Attraverso l'apertura dell'uscita dell'aria è scaricato all'esterno dell'apparecchio

### Ripiano

- La posizione del ripiano può essere regolata e adattata a diversi tipi di cibo. La regolazione del ripiano:
  - 1) Rimuovere il ripiano.
  - 2) Spostare il supporto del ripiano alla posizione desiderata.
  - 3) Mettere il ripiano sul supporto.

### Aspirazione dell'aria

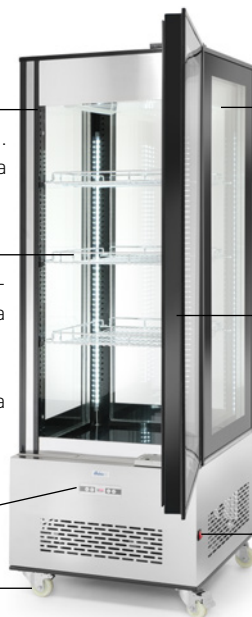
- Non ostruire il punto di aspirazione dell'aria. L'aria è aspirata e l'aria fredda circola all'interno del frigorifero

### Porta di vetro

### Centralina digitale

### Interruttore di accensione

### Ruota



## Prima del primo utilizzo

Rimuovere e eliminare l'imballaggio e le protezioni.

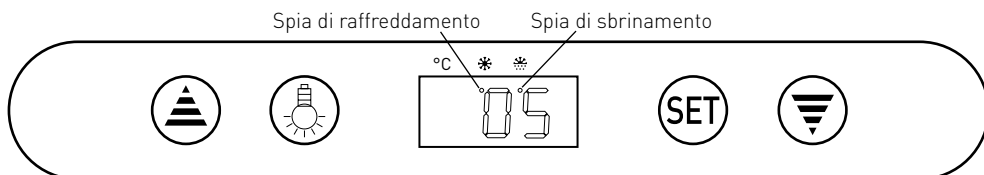
- Controllare l'apparecchio e gli accessori per la completezza. In caso di consegna incompleta o di danni contattare il fornitore (vedere: Garanzia).
- Pulire tutte le parti secondo le istruzioni (Vedere==> Pulizia e manutenzione).
- Mettere tutti i ripiani nell'apparecchio.

**Attenzione:** A causa di residui di produzione, l'apparecchio può emettere un odore sgradevole all'inizio del funzionamento dell'apparecchio. Questo è normale e non significa che il funzionamento non corretto o pericolo. Assicurarsi che l'apparecchio è ben ventilato.

## Utilizzo

- Collegare la spina alla presa elettrica adeguata. Prima di mettere i prodotti alimentari e le bevande nel frigorifero, lasciarlo acceso per qualche ora

fino a raggiungere la corretta temperatura del raffreddamento.



### • Utilizzo del pannello di controllo digitale dell'impostazione di temperatura

#### 1). Impostazione della temperatura

- Premere (SET), per accedere alla modalità di impostazioni. Il display visualizza la temperatura impostata.
- Premere (▲) oppure (▼) per aumentare o diminuire la temperatura impostata.
- Premere di nuovo (SET), per confermare la temperatura e uscire. Il display visualizza la temperatura impostata all'interno del frigorifero.

#### Attenzione:

- Se entro 10 secondi non si preme alcun tasto, il frigorifero imposta la nuova temperatura impostata.
- Il campo di impostazione della temperatura: da 2°C a 6°C. La variazione di temperatura effettiva all'interno del prodotto può essere influenzata dalla temperatura ambiente.
- Per mantenere una bassa temperatura all'interno del frigorifero, non aprire la porta troppo a lungo.

#### 2). Impostazione della luce all'interno del frigorifero

- Premere (☀) per accendere la luce all'interno del frigorifero. Premere di nuovo (☀) per spegnerla.

#### 3). Spia di raffreddamento

- Durante il raffreddamento (compressore avviato), la spia di raffreddamento è illuminata in modo continuo.

- Quando all'interno del frigorifero la temperatura impostata è raggiunta, la spia di raffreddamento lampeggia.
- La spia di raffreddamento si spegne all'inizio dello sbrinamento.

#### 4). Spia di sbrinamento

- Durante lo sbrinamento la spia di sbrinamento è illuminata in modo continuo.

- Dopo lo sbrinamento la spia si spegne.



## Pulizia e manutenzione

**Attenzione:** Prima di pulizia e manutenzione scollegare sempre la spina dalla fonte di alimentazione, togliendo la spina dalla presa elettrica.

### Pulizia

- Le superfici interne ed esterne dell'apparecchio possono essere pulite con un panno umido con una piccola quantità di detersivo.
- I ripiani possono essere rimossi e lavati in acqua.
- Non pulire l'apparecchio utilizzando il flusso diretto di acqua o il pulitore a vapore.
- Le parti dell'apparecchio non possono essere lavati in lavastoviglie.
- Pulire regolarmente l'apparecchio

Elemento	Pulizia	Osservazioni
Le parti dell'apparecchio come ripiani, supporti per ripiani ecc.	<ul style="list-style-type: none"><li>• Immergere in acqua calda e sapone per circa 10-20 minuti.</li><li>• Risciacquare con acqua corrente.</li></ul>	Asciugare accuratamente tutte le parti.
Superfici esterne di vetro	<ul style="list-style-type: none"><li>• Pulire con un panno morbido e una piccola quantità di detersivo. Assicurarsi che l'acqua o l'umidità non hanno penetrati l'interno dell'apparecchio.</li></ul>	
Superfici interne di vetro	<ul style="list-style-type: none"><li>• Rimuovere i residui di cibo.</li><li>• Pulire con un panno morbido e una piccola quantità di detersivo. Assicurarsi che l'acqua o l'umidità non hanno penetrati l'interno dell'apparecchio.</li></ul>	
Porta di vetro		

### Stoccaggio dell'apparecchio quando non è usato

- **Attenzione:** Scollegare sempre l'apparecchio dalla fonte di alimentazione.
- Rimuovere dall'apparecchio tutto il cibo e le bevande.
- Pulire l'apparecchio secondo le istruzioni contenute nella parte Pulizia e manutenzione (Vedi=> Pulizia e manutenzione).
- Conservare in un luogo fresco e pulito fuori dalla portata dei bambini

## Risoluzione dei problemi

Se l'apparecchio non funziona correttamente, leggere la tabella qui sotto per trovare la soluzione corretta. Se non è possibile risolvere il problema, contattare il rivenditore.

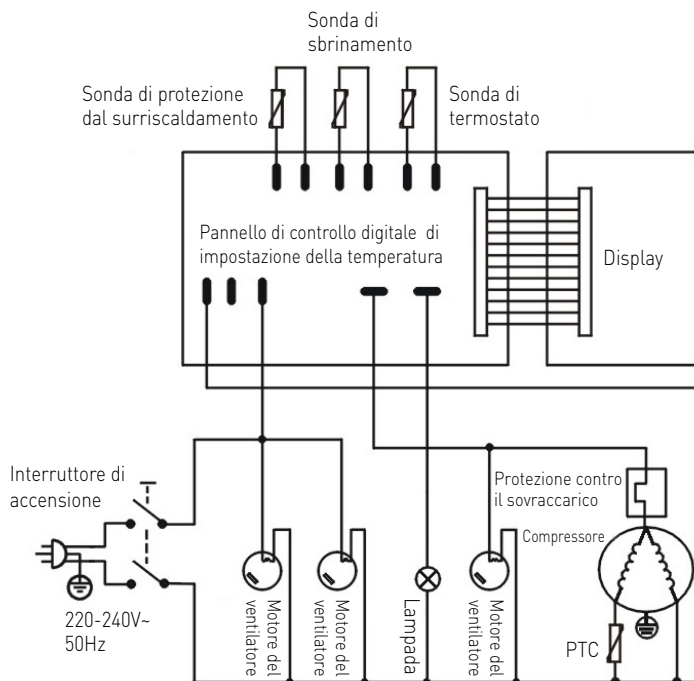
Problema	Causa possibile	Soluzione possibile
L'apparecchio non avvia il processo di raffreddamento dopo aver collegato alla fonte di alimentazione.	Il fusibile termico è avviato	Contattare il fornitore / il venditore per riparare l'apparecchio.
	Il compressore è danneggiato.	
	La spina non è direttamente collegata alla presa elettrica.	Controllare e assicurarsi che tutti i componenti sono collegati correttamente.
Il raffreddamento è troppo debole.	L'apparecchio è esposto alla luce solare o posizionato vicino alla fonte di calore.	Spostare l'apparecchio in un altro luogo, lontano dalla luce solare diretta.
	La porta non è chiusa correttamente o la guarnizione è danneggiata.	Chiudere bene la porta.
	All'interno dell'apparecchio c'è troppo cibo.	Rimuovere dall'apparecchio una parte di cibo.
	La ventilazione insufficiente intorno all'unità.	Assicurarsi che la ventilazione adeguata è garantita all'apparecchio, lasciando 10 cm di spazio intorno all'apparecchio.
L'apparecchio genera troppo rumore	L'apparecchio non è in posizione orizzontale.	Assicurarsi che l'apparecchio è in una posizione orizzontale.
	L'apparecchio tocca la parete o altri oggetti.	Assicurarsi che intorno all'apparecchio 10 cm di spazio è lasciato.
	All'interno dell'apparecchio ci sono gli elementi sciolti.	Contattare il fornitore / il venditore per riparare l'apparecchio.

## Specifiche tecniche

Prodotto n.	233276	233283
Tensione e frequenza	220-240V- /50Hz	
Consumo di energia	495W	500W
Impostazione della temperatura	da 2°C a 6°C	
Livello di protezione	Classe I	
Classe climatica	4	
Refrigerante / quantità di refrigerante introdotto	R290/ 90g	R290/ 110g
Potenza della luce	4*1.5W (LED)	4*1.5W (LED)
Corrente nominale	2.8A	2.9A
Agente schiumogeno infiammabile	C <sub>5</sub> H <sub>10</sub>	
Livello di rumore	< 70 dB (A)	
Capacità del frigorifero	400L	550L
Dimensioni esterne	650 x 650 x (H)1908mm	850 x 650 x (H)1908mm

**Attenzione: Le specifiche tecniche sono soggette a modifiche senza preavviso**

## Schema elettrico (Prodotto 233276, 233283)



---

## **Garanzia**

Qualsiasi difetto che influenza la funzionalità del dispositivo che compaia entro un anno dall'acquisto sarà corretto a titolo interamente gratuito o con la sostituzione del prodotto che è stato utilizzato e sottoposto a manutenzione corretta seguendo le istruzioni, senza alcuna violazione. I diritti legali del cliente non sono assolutamente modificati. Nel caso in cui l'intervento di manutenzione o sostitu-

zione sia previsto nel periodo di validità della garanzia, precisare dove e quando si è acquistato il prodotto, possibilmente allegando lo scontrino.

In linea con la nostra politica di sviluppo continuo dei prodotti, ci riserviamo il diritto di modificare il prodotto, l'imballo e le specifiche di documentazione, senza notifica alcuna.

---

## **Smaltimento e protezione dell'ambiente**

In caso di ritiro dell'apparecchiatura dal funzionamento il prodotto non può essere smaltito con altri rifiuti domestici. L'utente è responsabile della consegna dell'attrezzatura al punto di raccolta appropriato per l'attrezzatura usata. Il mancato rispetto delle disposizioni sopramenzionate può comportare l'imposizione di sanzioni in conformità con le normative vigenti in materia di smaltimento dei rifiuti. La raccolta e il riciclaggio selettivi di attrezzature usate contribuiscono alla conserva-

zione delle risorse naturali e garantiscono il riciclaggio in modo tale da non nuocere alla salute e all'ambiente. Per ulteriori informazioni sui luoghi di smaltimento delle apparecchiature usate per il riciclaggio, contattare la società locale di raccolta dei rifiuti. Il produttore e l'importatore non sono responsabili per il riciclaggio e il trattamento dei rifiuti in modo ecologico, sia direttamente che nel quadro del sistema pubblico.

Stimate client,

Vă mulțumim pentru achiziționarea acestui aparat Arctic. Vă rugăm să citiți cu atenția acest manual înainte de a conecta aparatul pentru evitarea defectării ca urmare a utilizării incorecte. Acordați o atenție deosebită regulilor de siguranță.

## Reguli de siguranță

- Operarea incorectă și utilizarea necorespunzătoare a aparatului poate avaria grav aparatul și poate cauza răni oamenilor.
- Acest aparat este destinat numai pentru uz comercial.
- Aparatul poate fi folosit doar în scopul pentru care a fost proiectat. Producătorul nu este răspunzător pentru orice avariere cauzată operării incorecte și a utilizării necorespunzătoare.
- Asigurați-vă că aparatul și ștecherul nu intră în contact cu apă sau alte lichide. În cazul în care aparatul este scăpat în apă, scoateți imediat ștecherul din priză și un tehnician autorizat trebuie să-l verifice. Dacă nu respectați aceste instrucțiuni, acest lucru poate cauza situații care vă pot pune viața în pericol.
- Nu încercați să deschideți singuri carcasa aparatului.
- Nu introduceți nici un fel de obiecte în carcasa aparatului.
- Nu atingeți ștecherul cu mâinile ude sau umede.
- **Pericol de electrocutare!** Nu încercați să reparați singur/ă aparatul. În cazul unei defecțiuni, reparațiile vor fi efectuate întotdeauna numai de personal calificat.
- **Nu utilizați niciodată un aparat defect!** Deconectați aparatul de la priza electrică și contactați distribuitorul în cazul unei defecțiuni.
- **Avertisment!** Nu scufundați părțile electrice ale aparatului în apă sau în alte lichide. Nu țineți niciodată aparatul sub jet de apă.
- Verificați în mod regulat ștecărul și cablul pentru a vă asigura că nu sunt deteriorate. În cazul în care ștecărul sau cablul de alimentare este deteriorat, acesta trebuie înlocuit de agentul de service sau de alt personal calificat similar pentru a evita orice pericol.
- Cablul nu trebuie să intre în contact cu obiecte ascuțite sau fierbinți și trebuie păstrat departe de foc. Pentru a scoate ștecărul din priză, trageți întotdeauna de ștecăr, nu de cablu.
- Asigurați-vă că nimeni nu poate trage din greșeală cablul (sau prelungitorul) și că nimeni nu se poate împiedica de el.
- Supravegheați întotdeauna aparatul atunci când este în funcțiune.
- Avertisment! Atât timp cât ștecărul este în priză, aparatul este conectat la sursa de electricitate.
- Opriti aparatul înainte de a scoate ștecărul din priză.
- Nu cărați niciodată aparatul ținându-l de cablu.
- Nu utilizați dispozitive suplimentare care nu sunt livrate împreună cu aparatul.
- Conectați aparatul doar la prize electrice cu intensitatea și frecvența electrice menționate pe eticheta aparatului.

RO

- Conectați cablul de alimentare la o priză electrică ușor accesibilă, astfel încât aparatul să poată fi deconectat imediat în caz de urgență. Scoateți cablul de alimentare din priza electrică pentru a opri complet aparatul. Utilizați cablul de alimentare ca dispozitiv de deconectare.
- Opriti întotdeauna aparatul înainte de a deconecta cablul de alimentare.
- Nu utilizați niciodată accesoriile care nu sunt recomandate de către producător. Acestea pot reprezenta un risc de siguranță pentru utilizator și pot deteriora aparatul. Utilizați numai piese și accesoriile originale.
- Acest aparat nu trebuie folosit de copii sau persoane care au capacități mentale, senzoriale sau fizice reduse, sau lipsă de experiență și cunoștințe.
- Acest aparat nu trebuie utilizat sub nicio formă de către copii.
- Nu țineți produsul și cablurile sale la îndemâna copiilor.
- Copiii nu trebuie să se joace cu acest produs.
- Deconectați întotdeauna aparatul de la sursa de alimentare în cazul în care este lăsat nesupravegheat, precum și înainte de asamblare, dezasamblare sau curățare.
- Nu lăsați niciodată aparatul nesupravegheat pe parcursul utilizării.

## Reguli speciale de siguranță

- Acest dispozitiv este destinat depozitării pe termen scurt și prezentării preparatelor, precum deserturile inclusiv prăjiturile sau alimentele ambalate precum salata verde, legumele, băuturile, fructele etc. la temperatură scăzută. Acest dispozitiv este capabil să mențină constantă temperatura alimentelor între limitele prevăzute pentru temperatura de operare de refrigerare. Nu păstrați alte materiale în aparat. Nu puneți în aparat sau în vecinătatea acestuia niciun fel de produse periculoase cum ar fi combustibilii, alcoolul, vopseaua, produsele inflamabile sau explozive etc. Nici un medicament nu trebuie păstrat în acest dispozitiv.
- Produsele introduse în aparat trebuie să fi fost răcite în prealabil. În caz contrar, umezeala care se evaporă în timpul răcirii produselor alimentare poate produce condens în interiorul compartimentului de răcire, lucru de altfel normal și care nu indică existența unei defecțiuni a aparatului.
- Aparatul trebuie instalat, pus în funcțiune și întreținut de persoane calificate sau instruite pentru aceasta. Aparatul trebuie utilizat de personal instruit sau calificat, cum ar fi cel de la bucătărie sau de la bar.
- **AVERTISMENT:** Nu utilizați instrumente mecanice sau alte mijloace pentru a accelera dezghețarea, altele decât cele recomandate de producător.
- **AVERTISMENT:** Nu deteriorați circuitul de agent frigorific.



**Atenție! Risc de incendiu!** Agentul frigorific utilizat este R290. Acesta este un agent frigorific inflamabil, fără efecte adverse asupra mediului. Deși este inflamabil, el nu afectează stratul de ozon și nu amplifică efectul de seră. Utilizarea acestui agent frigorific a condus însă la o creștere ușoară în nivelul de zgomot al aparatului. În afară de zgomotul produs de compresor, este posibil să auziți și curgerea agentului frigorific prin sistem. Acest lucru este inevitabil și nu are

un efect negativ asupra performanțelor aparatului. Trebuie întotdeauna avută grijă la transportarea și instalarea aparatului, în așa fel încât niciuna din părțile sistemului de răcire să nu fie avariate. Scurgerile de agent frigorific pot vătăma ochii.

- Agentul de expandare cu spumă utilizat este  $C_5H_{10}$  în acest dispozitiv. Este extrem de inflamabil.
- **AVERTISMENT:** Nu obstrucționați orificiile pentru ventilație de pe carcasa aparatului. La montaj trebuie asigurat că structura din jur permite o bună ventilare. Nu blocați niciodată intrarea și ieșirea aerului, lăsați liberă circulația aerului.
- **AVERTISMENT:** Nu utilizați aparate electrice în compartimentele de depozitare ale aparatului decât dacă sunt de tipul recomandat de producător.
- Puneți aparatul doar pe o suprafață de lucru curată, stabilă, uscată și plană.
- Țineți aparatul la distanță de suprafețele fierbinți și de focul deschis. Protejați aparatul contra căldurii, prafului, luminii solare directe, umezelii, picăturilor și apei împrășcate.
- În timpul funcționării lăsați un spațiu liber de cel puțin 10 cm în jurul aparatului pentru ventilație.
- Nu folosiți ustensile dure atunci când umblați la suprafața de sticlă. Nu folosiți niciodată jeturi de apă sau de abur pentru a curăța; nu scufundați aparatul în apă deoarece piesele se vor uda ceea ce ar duce la scurt-circuite.
- Nu puneți obiecte pe aparat. Nu puneți obiecte care conțin surse de foc (de exemplu, lumânări) pe aparat sau lângă acesta. Nu așezați obiecte care conțin apă (de exemplu vase) pe sau lângă aparat.
- Nu acoperiți niciodată aparatul în timpul utilizării. Acest lucru poate prezenta un pericol de incendiu.
- Nu spălați aparatul cu apă. La spălare se pot produce scurgeri, ceea ce va crește riscul de scurt-circuit.
- Nu faceți goluri suplimentare în aparat. Nu instalați alte dispozitive în aparat.
- Nu supraîncărcați grătarul din interior pentru a evita stricăciunile. Sarcina max. pe care o suportă grătarul este de aproximativ 18kg.
- Nu încercați să vă suiți pe aparat.

RO

## Instalarea aparatului

- Aparatul nu trebuie înclinat la mai mult de 45°. După ce ați instalat aparatul așteptați 2 ore înainte de a-l conecta la sursa de curent și de a-l porni. Același lucru este valabil și dacă aparatul este ulterior mutat.
- Aparatul trebuie întotdeauna instalat într-un mediu uscat.
- La instalare, în spatele și în părțile laterale ale aparatului trebuie lăsat un spațiu liber de cel puțin 10 cm. Lăsarea unui spațiu mai mic poate afecta eficiența aparatului.
- Recomandăm insistent ca aparatul să fie instalat în locuri cu o bună ventilație naturală pentru ca ventilația să se facă mai bine.

## Componente electrice și alte pericole

- Niciun alt aparat nu trebuie cuplat la priza la care este cuplat acest aparat.

- Nu puneți în aparat sau în vecinătatea acestuia niciun fel de produse periculoase cum ar fi combustibilii, alcoolul, vopseaua, produsele inflamabile sau explozive etc., din cauza riscului de incendiu.
- Nu păstrați medicamente în aparat.
- Așteptați cca 5 minute înainte de a porni aparatul din nou după ce aparatul a fost oprit sau scos din priză.
- Nu spălați aparatul cu apă. La spălare se pot produce scurgeri, ceea ce va crește riscul de scurt-circuit. Nicio piesă/accesoriu ale aparatului nu pot fi puse în mașina de spălat vase.

### Instalația de împământare

Acest aparat este încadrat în clasa de protecție I și trebuie împământat. Împământarea reduce riscul electrocutării prin asigurarea unui fir de ieșire pentru curentul electric. Acest aparat este dotat cu

un cablu cu fir de împământare cu fișă. Fișa trebuie conectată la o priză instalată corespunzător și împământată.

### Destinația produsului

- Acesta este un aparat de uz profesional.
- Acest aparat este conceput numai pentru a păstra alimente sau băuturi în stare rece și pentru a le afișa pentru comercializare în restaurante, cantine, alte întreprinderi comerciale precum brutării, măcelării, supermarketuri, etc. Orice

altă utilizare poate provoca avarierea aparatului sau accidentarea persoanelor.

- Utilizarea aparatului în orice alt scop reprezintă o utilizare incorectă. Utilizatorul este singurul răspunzător de orice utilizare incorectă a aparatului.

RO

### Piese funcționale

#### Orificiu de evacuare a aerului

- Nu blocați niciodată orificiul de evacuare a aerului. Acesta lasă să iasă aerul rece care circulă în aparat.

#### Grătar

- Înălțimea grătarului este reglabilă pentru a se potrivi diverselor produse. Pentru reglaj:
  - 1) Scoateți grătarul
  - 2) Aduceți suportul grătarului la înălțimea dorită.
  - 3) Așezați grătarul pe suport

#### Sistem de control digital

#### Rotilă

#### Absorbția aerului

- Nu blocați niciodată gura de absorbție. Aerul este absorbit, iar aerul rece este circulat prin refrigeratoarele.

#### Ușa de sticlă

#### Întreprător electric





## Pregătirea înainte de prima utilizare

Desfaceți ambalajul și învelitoarea de protecție.

- Verificați dacă produsul este complet. În cazul în care livrarea este incompletă sau dacă există avarii. Luați legătura cu furnizorul (Vezi == > Garanția).
- Curățați toate componentele conform descrierii (vezi == > Curățarea și întreținerea).

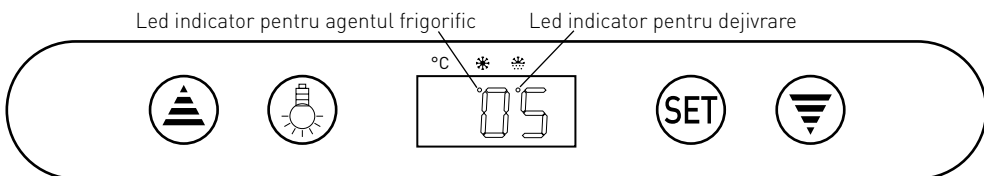
- Așezați toate grătarele în interiorul aparatului.

**Notă:** Resturile rămășiță din fabricație pot face ca aparatul să emită un ușor miros în timpul primelor cicluri de funcționare. Acest lucru este normal și nu este un semn de defecțiune sau de pericol. Asigurați-vă că aparatul este bine ventilat.

## Modul de utilizare

- Introduceți ștecherul într-o priză electrică adecvată. Lăsați aparatul să meargă timp de câteva ore

înainte de a pune alimentele în interiorul lui, pentru a atinge temperatura de răcire.



- **Funcționarea controlerului digital de temperatură**

### 1). Setarea temperaturii

- Apăsăți pentru a intra în regimul de setare. Se afișează temperatura setată.
- Apăsăți sau pentru a crește sau a scădea temperatura.
- Apăsăți din nou pentru a confirma setarea și ieșiți. După aceasta se va afișa temperatura din interiorul dulapului.

### Notă:

- Dacă niciun buton nu este apăsat timp de 10 secunde. Temperatura nou setată va fi stocată în memorie.
- Intervalul de setare a temperaturii este de la 2°C la 6 °C. Variația temperaturii din interiorul produsului poate fi afectată de temperatura ambiantă.
- Țineți ușa deschisă cât mai puțin timp posibil pentru a păstra temperatura scăzută din interior

### 2). Iluminatul din interiorul dulapului

- Apăsăți pentru a aprinde lumina. Apăsăți din nou pentru a stinge lumina.

### 3). Led indicator pentru agentul frigorific

- În timpul răcirii (cu compresorul pornit), acest led indicator pentru agentul de răcire va lumina continuu.

- După ce interiorul dulapului a atins temperatura setată ledul indicator pentru agentul de răcire va clipi continuu.
- În momentul în care a început dezghețarea, ledul indicator pentru agentul de răcire se stinge.

### 4). Led indicator pentru dezghețare

- În timpul operației de dezghețare, ledul indicator de dezgheț va lumina continuu.

- După operația de dezghețare, ledul indicator de dezgheț se va stinge.

## Curățarea și întreținerea

**Atenție:** Scoateți întotdeauna aparatul din priză înainte de a-l curăța și de a face întreținerea.

### Curățare

- Curățați suprafețele exterioare și interioare cu o cârpă umedă și puțin detergent.
- Grătarele pot fi scoase și spălate în apă.
- Nu curățați aparatul cu jet de apă sau în mașina de curățat cu aburi și nici nu îl scufundați în apă.
- Niciuna din piese nu poate fi curățată în mașina de spălat vase.
- Curățați aparatul în mod regulat.

Piese	Cum se curăță	Observații
Toate accesoriile cum ar fi grătarele, suporturile pentru grătare etc.	<ul style="list-style-type: none"><li>• Scufundați în apă călduță, cu săpun timp de aproximativ 10 minute până la 20 de minute.</li><li>• Clătiți bine sub jet de apă de la robinet.</li></ul>	La sfârșit uscați bine aceste piese.
Suprafețele vitrate exterioare	<ul style="list-style-type: none"><li>• Se curăță ștergând-o cu o cârpă moale și un detergent neutru. Aveți grijă ca în aparat să nu pătrundă apă sau umezeală.</li></ul>	
Suprafețele vitrate interioare	<ul style="list-style-type: none"><li>• Înlăturați toate depunerile de alimente.</li><li>• Se curăță ștergând-o cu o cârpă moale și un detergent slab. Aveți grijă ca în aparat să nu pătrundă apă sau umezeală.</li></ul>	
Ușa de sticlă		

RO

### Depozitarea aparatului pentru o perioadă mai îndelungată

- **Atenție:** Scoateți întotdeauna aparatul din priză.
- Scoateți toate alimentele și băuturile din interiorul aparatului.
- Curățați aparatul așa cum se arată în capitolul Curățarea. (Vezi == > Curățarea).
- Depozitați aparatul într-un loc răcoros și curat, care nu se află la îndemâna copiilor.

## Depanarea

Dacă aparatul nu funcționează bine consultați tabelul de mai jos pentru a găsi soluția. Dacă tot nu puteți rezolva problema, luați legătura cu furnizorul/agentul de service.

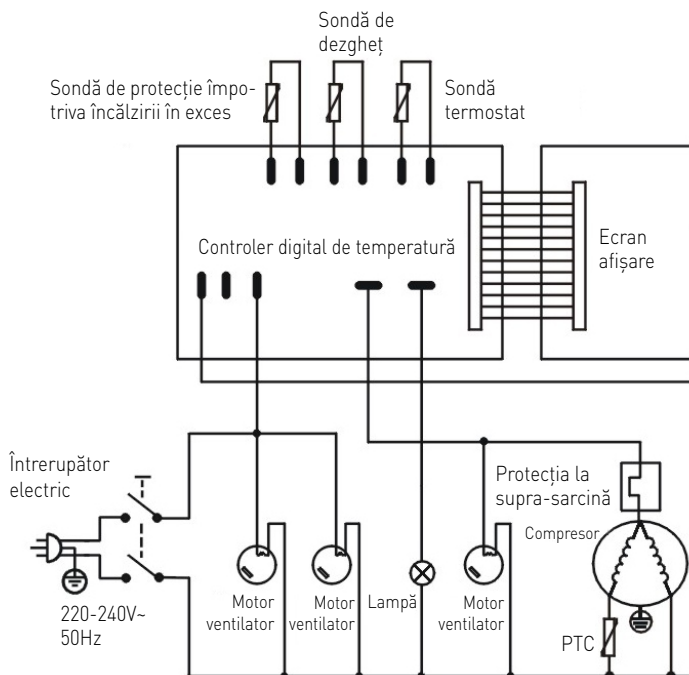
Probleme	Cauză posibilă	Soluție posibilă
Aparatul nu începe să răcească după ce a fost conectat la sursa de curent.	S-a activat separarea termică	Pentru reparații luați legătura cu furnizorul sau cu agentul de service.
	Compresorul este defect.	
	Ștecherul este cuplat corect la priza de curent.	Verificați conexiunea și dacă toate cuplajele sunt realizate corect.
Răcirea nu este suficientă.	Aparatul este amplasat în lumină solară puternică sau prea aproape de o sursă de căldură.	Mutați aparatul în altă parte pentru a evita lumina solară directă.
	Ușile nu sunt bine închise sau garnitura este defectă.	Închideți ușa corect.
	Ușile nu sunt bine închise sau garnitura este defectă.	Puneți mai puține alimente în aparat.
	Ventilația din jur nu este suficientă.	Verificați dacă există suficientă ventilație prin lăsarea a cel puțin 10 cm spațiu liber față de alte obiecte sau pereți.
Zgomot excesiv	Aparatul nu este montat orizontal.	Asigurați-vă că aparatul este montat orizontal.
	Aparatul atinge pereții din jur sau alte obiecte.	Verificați dacă există cel puțin 10 cm spațiu liber față de alte obiecte sau pereți.
	În aparat se află piese desprinse.	Pentru reparații luați legătura cu furnizorul sau cu agentul de service.

## Specificația tehnică

Articol nr.	233276	233283
Tensiunea de funcționare și frecvența	220-240V~ /50Hz	
Puterea nominală de intrare	495W	500W
Setarea temperaturii	Setare de la 2°C la 6 °C	
Clasa de protecție	Clasa I	
Clasa de climă	4	
Agentul frigorific utilizat și cantitatea injectată	R290/ 90g	R290/ 110g
Puterea sistemului de iluminat	4*1.5W (LED)	4*1.5W (LED)
Curent nominal	2.8A	2.9A
Agent de expandare cu spumă	C <sub>5</sub> H <sub>10</sub>	
Nivelul de zgomot	< 70 dB (A)	
Capacitatea interioară a dulapului	400L	550L
Dimensiuni exterioare	650 x 650 x (H)1908mm	850 x 650 x (H)1908mm

**Observații: Specificația tehnică poate fi modificată fără preaviz.**

## Schema electrică (Articol 233276, 233283)



---

## Garanție

Orice defecțiune care afectează funcționarea aparatului apărută la mai puțin de un an de la cumpărarea acestuia va fi remediată prin reparație sau înlocuire gratuită, cu condiția ca aparatul să fi fost folosit și întreținut conform instrucțiunilor nu să nu fi fost bruscat sau folosit necorespunzător în vreun fel. Drepturile dumneavoastră legale nu sunt afec-

tate. Dacă aparatul este în garanție, menționați când și de unde a fost cumpărat și includeți dovada cumpărării (de ex. chitanța).

Conform politicii noastre de dezvoltare continuă a produsului, ne rezervăm dreptul de a modifica produsul, ambalajul și documentația fără notificare.

---

## Eliminarea și mediul înconjurător

La dezafectarea aparatului, produsul nu trebuie aruncat împreună cu alte deșeuri menajere. În schimb, este responsabilitatea dumneavoastră să eliminați echipamentul uzat prin predarea acestuia la un punct de colectare desemnat. Nerespectarea acestei reguli poate fi penalizată în conformitate cu reglementările aplicabile privind eliminarea deșeurilor. Colectarea separată și reciclarea echipamentului dumneavoastră uzat la momentul debarasării contribuie la conservarea resurselor na-

turale și asigură realizarea reciclării într-un mod care protejează sănătatea ființelor umane și a mediului. Pentru informații suplimentare privind modul în care puteți preda deșeurile dumneavoastră în scopul reciclării, vă rugăm să contactați compania locală de colectare a deșeurilor. Producătorii și importatorii nu își asumă responsabilitatea cu privire la reciclarea, tratarea și eliminarea ecologică a deșeurilor, fie direct, fie prin intermediul unui sistem public.

Благодарим Вас за покупку оборудования фирмы Arktic. Необходимо внимательно прочитать настоящую инструкцию пользователя во избежание повреждения машины в результате неправильной эксплуатации. Советуем уделить особое внимание правилам техники безопасности.

## Правила техники безопасности

- Неправильная эксплуатация и использование оборудования не по назначению может привести к его поломке и травмам пользователей.
- Это устройство предназначено исключительно для коммерческого использования.
- Оборудование следует использовать точно по назначению. Производитель не несет ответственности за повреждения, вызванные неправильной эксплуатацией или неправильным обслуживанием оборудования.
- Оборудование и электрическую штепсельную вилку следует держать вдали от воды и прочих жидкостей. Если штепсельная вилка попадет в воду, ее следует тут же вытащить из розетки электропитания и обратиться к квалифицированному специалисту для проверки устройства. Несоблюдение данных указаний может повлечь за собой угрозу здоровью и жизни обслуживающего персонала.
- Не вскрывать корпус оборудования самостоятельно.
- Не класть никаких посторонних предметов внутрь оборудования.
- Не касаться штепсельной вилки мокрыми или влажными руками.
- **Опасность поражения током!** Не следует самостоятельно чинить электрооборудование. Любые поломки и неисправности должны устраняться квалифицированным персоналом.
- **Никогда не использовать поврежденное оборудование!** Отключить его от электросети и обратиться к продавцу.
- **Внимание!** Не погружать электрические компоненты в воду или другие жидкости. Не мыть оборудование под проточной водой.
- Регулярно проверять вилку и провод электропитания на предмет повреждений. С целью предотвращения несчастных случаев и травм поврежденную вилку или провод отдать на ремонт в сервисный центр или обратиться к квалифицированному электрику.
- Удостовериться, что провод электропитания не касается острых и горячих предметов. Держать электропровод вдали от открытого огня. Для того, чтобы вынуть вилку из розетки всегда нужно тянуть за вилку, а не за электропровод.
- Защитить провод электропитания (удлинитель) от случайного выпадения из розетки. Электропровод прокладывать так, чтобы случайно не споткнуться о него.
- Постоянно наблюдать за работающим оборудованием.
- Предупреждение! Если вилка находится в розетке, оборудование подключено к сети электропитания.
- Перед тем, как вынуть вилку из розетки, оборудование следует выключить!
- Не переносить оборудование, держа за электропровод.

- Не использовать никаких деталей, аксессуаров, которые не поставляются вместе с этим оборудованием.
- Оборудование следует подключать исключительно к розетке, в которой напряжение и частота соответствует параметрам, указанным на паспортной табличке оборудования.
- Вилку следует вставлять в розетку, расположенную в удобном и легкодоступном месте, так чтобы в случае аварии можно было ее немедленно вынуть. Для полного обесточивания оборудования следует отсоединить его от сети электропитания; для этого следует вынуть вилку, находящуюся на конце провода электропитания, из розетки.
- Прежде чем вынуть вилку из розетки, необходимо сначала выключить оборудование!
- Не следует использовать детали и аксессуары, не рекомендованные производителем, т.к. использование таких деталей и аксессуаров может угрожать здоровью и жизни пользователя, а также может привести к поломке оборудования. Следует всегда использовать оригинальные детали и аксессуары.
- Оборудование не предназначено для использования людьми (в том числе детьми) с ограниченными физическими, сенсорными и умственными возможностями, а также людьми, которые не имеют соответствующих навыков и опыта.
- Ни в коем случае нельзя допускать детей к использованию оборудования.
- Оборудование следует хранить в месте, недоступном для детей.
- Не разрешать детям использовать оборудование в качестве игрушки.
- Всегда следует отсоединить оборудование от электропитания, если оставляем ее без надзора, перед монтажом, демонтажем и чисткой.
- Не оставлять включенное оборудование без надзора.

---

## **Специальные правила техники безопасности**

- Данное оборудование предназначено для краткосрочного хранения и демонстрации пищевых продуктов, в том числе пирожных, упакованной еды, овощей, напитков, фруктов и т. д. при низкой температуре. Оборудование может поддерживать постоянную температуру пищевых продуктов в заданном диапазоне охлаждения. Не храните в устройстве другие продукты. Не помещайте в холодильный шкаф или в его близи опасные продукты, такие как топливо, спирт, краски, горючие и взрывоопасные материалы и т.п. Оборудование запрещается использовать для хранения лекарственных средств.
- Продукты, помещенные в холодильник, должны быть предварительно охлаждены. В противном случае, пар, выходящий из охлаждаемых продуктов, может конденсироваться внутри охлаждающей камеры – это нормальное явление и не является признаком неисправности устройства.
- Это устройство должен устанавливать, вводить в эксплуатацию и проводить техническое обслуживание квалифицированный и обученный персонал. Устройство должен обслуживать обученный и квалифицированный персонал, например, персонал кухни или обслуживающий бар.

• **ПРЕДУПРЕЖДЕНИЕ:** Nu utilizați instrumente mecanice sau alte mijloace pentru a accelera dezghețarea, altele decât cele recomandate de producător.

• **ПРЕДУПРЕЖДЕНИЕ:** Не повредите контур хладагента.



• **Внимание! Опасность пожара!** В устройстве используется хладагент R290. Это экологически чистый легковоспламеняющийся хладагент. Он не вреден для озонового слоя и не влияет на парниковый эффект. Однако использование этого хладагента приводит к небольшому увеличению уровня шума, создаваемого устройством. Кроме шума, создаваемого компрессором, пользователь может слышать звук, вызванный потоком хладагента. Этого явления нельзя избежать, и он не оказывает негативного влияния на функционирование устройства. Во время транспортировки и установки устройства следует соблюдать особую осторожность, чтобы не повредить какие-либо части холодильной системы. Утечка хладагента может привести к повреждению глаз.

• В данном оборудовании используется пенный хладагент C<sub>5</sub>H<sub>10</sub>. Это очень легковоспламеняющееся вещество.

• **ПРЕДУПРЕЖДЕНИЕ:** Не закрывайте вентиляционные отверстия корпуса устройства. При установке устройства, убедитесь, что оно имеет необходимую вентиляцию. Никогда не блокируйте поток воздуха вокруг устройства, чтобы обеспечить достаточную циркуляцию воздуха.

• **ПРЕДУПРЕЖДЕНИЕ:** Внутри камер холодильного шкафа, не используйте электрооборудования, кроме того, которое рекомендовано производителем.

• Устройство устанавливайте только на чистой, сухой, стабильной, горизонтальной поверхности.

• Храните вдали от горячих поверхностей и открытого пламени. Убедитесь, что устройство не подвергается воздействию высоких температур, пыли, солнечного света, влаги, брызг и капель воды.

• Убедитесь, что вокруг устройства оставлено 10 см пространства для обеспечения надлежащей вентиляции.

• Не ударяйте твердым инструментом в стеклянные компоненты устройства. Не чистите устройство с использованием прямой струи воды или паровой мойки и не смывайте водой – существует риск поражения электрическим током.

• Не кладите на устройство любые предметы. Рядом с устройством не помещайте источники открытого огня (например, горящие свечи). Не помещайте какие-либо предметы, наполненные водой в непосредственной близости от устройства, (например, вазы).

• Не накрывайте устройство во время работы. Это создает опасность пожара.

• Не мойте устройство водой. При мойке устройства вода может попасть в электрические детали и вызвать поражение электрическим током.

• Не сверлите дополнительные отверстия в устройстве. Не устанавливайте никакого дополнительного оборудования на устройстве.

• Не помещайте во внутрь устройства большое количество пищи, чтобы предотвратить его повреждение. Максимальная нагрузка для каждой полки составляет прим. 18 кг.



- Не пытайтесь входить на устройство.

## Монтаж устройства

- Устройство не должно быть наклонено под углом, большим, чем 45°. После установки устройства подождите 2 часа, прежде чем подключите его к источнику питания и проведете запуск. Эта рекомендация касается также ситуации, когда устройство впоследствии будет переноситься в другое место.
- Устройство следует устанавливать в сухом месте.
- Во время установки оставьте как минимум 10 см пространства от задней и с обеих боковых сторон устройства для обеспечения надлежащей вентиляции. Если оставите меньше места - это может повлиять на производительность устройства.
- Рекомендуется устанавливать устройство вместе с хорошей естественной вентиляцией, благодаря чему устройство будет вентилироваться надлежащим образом.

## Электрические компоненты и другие опасности

- Ни одно другое оборудование не должно быть подключено к одному источнику питания, к которому подключено устройство.
- Не храните в устройстве другие продукты. Не помещайте в холодильный шкаф или в его близи опасные продукты, такие как топливо, спирт, краски, горючие и взрывоопасные материалы и т.п и т.п. – опасность пожара.
- Не храните в устройстве лекарства.
- После того, как устройство будет выключено или отключено от источника питания, подождите прим. 5 минут перед повторным запуском.
- Не мойте устройство водой. При мойке устройства вода может попасть в электрические детали и вызвать поражение электрическим током. Детали/аксессуары устройства не подходят для мытья в посудомоечной машине.

RU

## Назначение устройства

- Данное оборудование предназначено только для коммерческого использования.
- Данное приспособление предназначено исключительно для хранения продуктов питания и напитков в охлажденном состоянии и для их демонстрации в ресторанах, столовых и на других коммерческих предприятиях (булочные,

мясные магазины, супермаркеты и т. д.) с целью продажи. Использование устройства для любых других целей может привести к повреждению или травме тела.

- Использование устройства для любых других целей будет рассматриваться, как использование не по назначению.

## Монтаж заземления

Холодильный шкаф является устройством I класса защиты и должен быть заземлен. Заземление снижает риск поражения электрическим током за счет использования отводящего провода.

Устройство оснащено заземляющим проводом с вилкой с заземляющим контактом. Не вставляйте вилку в розетку, если устройство не установлено надлежащим образом и не заземлено.

## Детали устройства

### Выход воздуха

- Никогда не блокируйте место выхода воздуха. Через выпускное отверстие холодный воздух отводится наружу из устройства.

### Полка

- Положение полки можно регулировать и адаптировать к различным видам пищи. Регулировка полки:
  - 1) Выньте полку.
  - 2) Переложите кронштейн полки в нужное место.
  - 3) Поместите полку обратно на кронштейны.

### Всасывание воздуха

- Никогда не блокируйте места всасывания воздуха. Воздух всасывается и холодный воздух циркулирует внутри холодильного шкафа.

### Стеклянные двери

### Цифровой контроллер

### Выключатель питания

### Ролик



RU

## Перед первым использованием

Снимите и удалите упаковку и защиты.

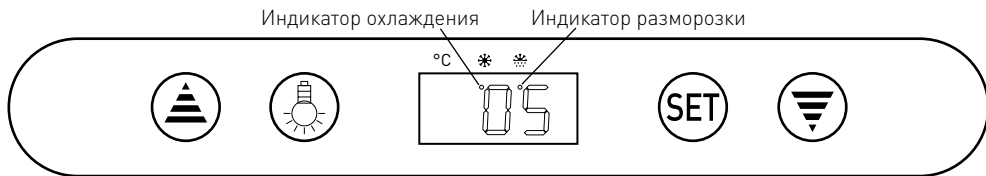
- Проверьте комплектность устройства. В случае неполной поставки или повреждения свяжитесь с поставщиком (смотри: Гарантия).
- Очистите все детали в соответствии с инструкцией (Смотри ==> Очистка и техническое обслуживание).
- Установите все полки в устройстве.

**Замечание:** Из-за остатка от производственного процесса, в течение первых нескольких запусков из устройства может выходить неприятный запах. Это нормальное явление и не указывает на повреждение устройства или опасность для пользователя. Убедитесь, что устройство хорошо вентилируется.

## Использование

- Подключите вилку к соответствующей электрической розетке. Перед помещением в устройство продуктов питания и напитков, оставьте его

включенным в течение нескольких часов, чтобы оно достигло необходимой температуры охлаждения.



## • Обслуживание цифровой панели регулирования температуры

### 1). Установка температуры

- Нажмите чтобы установить режим. На дисплее отобразится заданная температура.
- Нажмите или чтобы увеличить или уменьшить заданную температуру
- Нажмите еще раз чтобы подтвердить заданную температуру и выйти. На дисплее отобразится заданная температура внутри шкафа.

### Замечание:

- Если в течение 10 секунд не будет нажата ни одна из кнопок, в холодильном шкафу установится ново введенная температура.
- Установка температуры в диапазоне: от 2°C до 6°C. На изменение температуры внутри продукта может влиять температура окружающей среды.
- Для того, чтобы поддерживать температуру внутри шкафа, не держите слишком долго открытую дверь.

### 2). Установка света внутри шкафа

- Нажмите чтобы включить свет внутри шкафа. Нажмите еще раз чтобы его выключить.

### 3). Индикатор охлаждения

- Во время охлаждения шкафа (работает компрессор), индикатор охлаждения будет гореть непрерывно.

- Когда внутри холодильного шкафа будет установлена заданная температура, индикатор охлаждения будет мигать.
- Индикатор охлаждения погаснет в начале размораживания.

### 4). Индикатор разморозки

- Во время размораживания шкафа, индикатор размораживания будет гореть непрерывно.

- После размораживания, индикатор размораживания погаснет.

## Очистка и техническое обслуживание

**Замечание:** Перед очисткой и уходом всегда отключайте устройство от сети питания, вынимая вилку из розетки.

### Очистка

- Внутренние и внешние поверхности устройства можно чистить влажной тканью с небольшим количеством моющего средства.
- Полки можно вынуть из устройства и вымыть, погружая в воду.
- Для очистки устройства не используйте непосредственное воздействие водяной струи, парочистителя и не погружайте всего устройства в воду.
- Детали устройства нельзя мыть в посудомоечной машине.
- Очищайте регулярно устройство.

Детали	Очистка	Замечания
Детали устройства, такие как полки, кронштейны к ним и т.д.	<ul style="list-style-type: none"><li>• Погрузите в теплую мыльную воду в течение прибл.10-20 минут.</li><li>• Промойте под проточной водой.</li></ul>	Тщательно просушите все детали.
Наружные стеклянные поверхности	<ul style="list-style-type: none"><li>• Протрите мягкой тканью и небольшим количеством нейтрального моющего средства. Убедитесь, что во внутрь устройства не попала вода или влага.</li></ul>	
Внутренние стеклянные поверхности	<ul style="list-style-type: none"><li>• Удалите остатки пищи.</li><li>• Протрите мягкой тканью и небольшим количеством нейтрального моющего средства. Убедитесь, что во внутрь устройства не попала вода или влага.</li></ul>	
Стеклянные двери		

### Хранение устройства, когда оно не используется

- **Замечание:** Всегда отключайте устройство от источника питания.
- Выньте из устройства все продукты питания и напитки.
- Вымойте устройство согласно рекомендациям, содержащимся в разделе Очистка и техническое обслуживание. (Смотри==> Очистка и техническое обслуживание).
- Храните устройство в прохладном, чистом месте, недоступном для детей.

## Поиск и устранение неисправностей

Если устройство не работает должным образом, найти правильное решение. Если вы не можете обратиться к приведенной ниже таблице, чтобы решить проблему, обратитесь к поставщику.

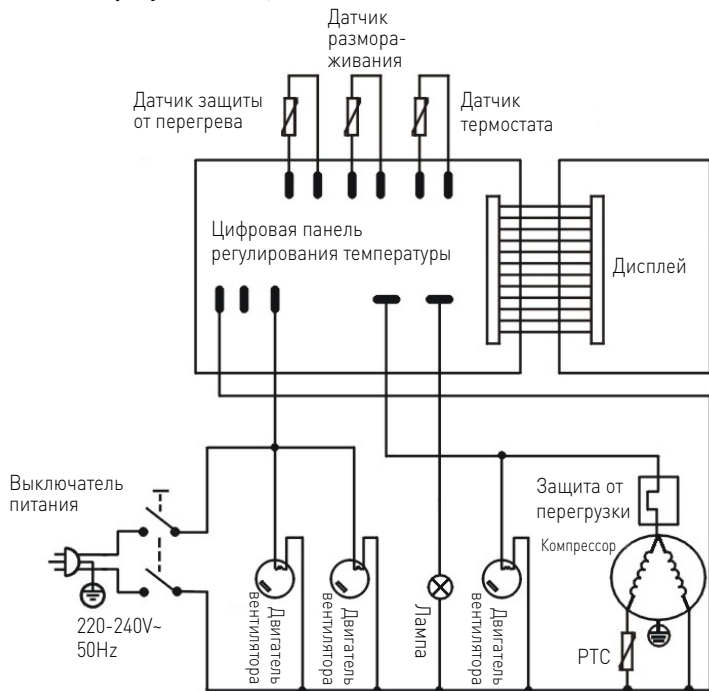
Проблема	Возможная причина	Возможное решение
Устройство не начинает процесс охлаждения при подключении к источнику питания.	Сработал тепловой предохранитель	Обратитесь к поставщику / поставщику услуг для ремонта устройства.
	Поврежден компрессор.	
	Вилка неправильно подключена к электрической розетке.	Проверьте и убедитесь, что все компоненты подключены правильно.
Охлаждение слишком слабое.	Устройство подвергается сильному воздействию солнечного света или расположено близко к источнику тепла.	Перенесите устройство в другое место, вдали от прямых солнечных лучей.
	Дверь не закрыта должным образом или повреждена прокладка.	Закройте правильно дверь.
	В устройстве находится слишком много пищи.	Удалить из устройства часть пищи.
	Недостаточная вентиляция вокруг устройства.	Убедитесь, что устройство гарантирует достаточную вентиляцию, обеспечивая 10 см вокруг него.
Устройство генерирует много шума.	Устройство не установлено в горизонтальном положении.	Убедитесь, что устройство было установлено в горизонтальном положении.
	Устройство находится в контакте со стенкой или другими объектами.	Убедитесь, что вокруг устройства не менее 10 см свободного пространства.
	Внутри устройства находятся свободные детали.	Обратитесь к поставщику / поставщику услуг для ремонта устройства.

## Технические характеристики

№ продукта	233276	233283
Рабочее напряжение и частота	220-240В~ /50Гц	
Потребляемая мощность	495Вт	500Вт
Установка температуры	В диапазоне от 2°C до 6°C	
Степень защиты	I Класс	
Климатический класс	4	
Хладагент/ количество вводимого хладагента	R290/ 90г	R290/ 110г
Мощность освещения	4*1.5W (LED)	4*1.5W (LED)
Номинальный ток	2.8А	2.9А
Горючий пенный хладагент	C <sub>5</sub> H <sub>10</sub>	
Уровень шума	< 70 дБ (А)	
Ёмкость шкафа	400л	550л
Внешние размеры	650 x 650 x (H)1908mm	850 x 650 x (H)1908mm

**Внимание:** Технические характеристики могут быть изменены без предварительного уведомления.

## Электрическая схема (продукта 233276, 233283)



---

## **Гарантия**

Любая недоделка или поломка, которая влечет за собой неправильную работу устройства, которая будет выявлена в течение первого года от даты покупки, будет устранена бесплатно, или же все устройство будет заменено новым, если оно эксплуатировалось и обслуживалось согласно инструкции по обслуживанию и не использовалось неправильно, или в разрез с назначением. Данное положение ни в коей мере не нарушает иных прав потребителя, изложенных в законо-

дательстве. В случае заявления устройства в ремонт или на замену в рамках гарантии, следует указать место и дату покупки устройства и приложить счет, или чековую квитанцию.

Согласно нашей политике совершенствования наших продуктов оставляем за собой право на внос изменений в конструкцию, упаковку и в технические параметры, указываемые в технической документации без предупреждения.

---

## **Утилизация и защита окружающей среды**

В случае вывода оборудования из эксплуатации, продукт нельзя утилизировать вместе с другими бытовыми отходами. Пользователь несет ответственность за передачу оборудования в соответствующий пункт приема техники бывшей в употреблении. Несоблюдение вышеуказанного положения может привести к наложению штрафов в соответствии с действующими правилами в отношении утилизации отходов. Селективный сбор и утилизация использованного оборудования способствуют сохранению природных

ресурсов и обеспечивают рециркуляцию таким образом, который не вреден для здоровья и окружающей среды. Для получения дополнительной информации о том, где можно отдать использованное оборудование для утилизации, обратитесь в местную компанию по сбору отходов. Производитель и импортер не несут ответственности за рециркуляцию и переработку отходов экологически безопасным способом, как непосредственно, так и в рамках государственной системы.

Αγαπητέ πελάτη,

Ευχαριστούμε που αγοράσατε αυτό το προϊόν Arctic. Διαβάστε προσεκτικά το παρόν εγχειρίδιο πριν συνδέσετε τη συσκευή, προκειμένου να προλάβετε πιθανή βλάβη που μπορεί να οφείλεται σε λανθασμένη χρήση. Διαβάστε ιδίως τους κανονισμούς ασφαλείας πολύ προσεκτικά.

## Κανονισμοί ασφαλείας

- Η συσκευή προορίζεται μόνο για επαγγελματική χρήση.
- Η συσκευή πρέπει να χρησιμοποιείται μόνο για τον σκοπό για τον οποίο προορίζεται και σχεδιάστηκε. Ο κατασκευαστής δεν ευθύνεται για τυχόν ζημιές που προκλήθηκαν από εσφαλμένη λειτουργία και ακατάλληλη χρήση.
- Κρατήστε τη συσκευή και το βύσμα μακριά από νερό και άλλα υγρά. Σε περίπτωση που η συσκευή πέσει μέσα σε νερό, αφαιρέστε αμέσως το βύσμα από την πρίζα και μην τη χρησιμοποιήσετε μέχρι να ελεγχθεί η συσκευή από πιστοποιημένο τεχνικό. Η μη τήρηση των οδηγιών ενδέχεται να προκαλέσει κίνδυνο προς τη ζωή.
- Μην επιχειρήσετε ποτέ να ανοίξετε μόνοι σας το περίβλημα της συσκευής.
- Μην εισάγετε αντικείμενα στο περίβλημα της συσκευής.
- Μην αγγίζετε το βύσμα με υγρά χέρια.
- Κίνδυνος ηλεκτροπληξίας! Μην επιχειρήσετε να επισκευάσετε μόνοι σας τη συσκευή. Σε περίπτωση δυσλειτουργίας, οι επισκευές πρέπει να διενεργούνται μόνο από εξειδικευμένο προσωπικό.
- Μην χρησιμοποιείτε ποτέ συσκευή με βλάβη! Σε περίπτωση βλάβης, αποσυνδέστε τη συσκευή από την πρίζα και επικοινωνήστε με τον πωλητή.
- Προειδοποίηση! Μην βυθίζετε τα ηλεκτρικά μέρη της συσκευής σε νερό ή άλλα υγρά. Μην βάζετε ποτέ τη συσκευή κάτω από τρεχούμενο νερό.
- Ελέγχετε τακτικά το βύσμα και το καλώδιο τροφοδοσίας για τυχόν ζημιές. Εάν το βύσμα ή το καλώδιο τροφοδοσίας είναι κατεστραμμένο, πρέπει να αντικατασταθεί από τεχνικό σέρβις ή εξειδικευμένα άτομα για την αποφυγή τυχόν κινδύνου ή τραυματισμού.
- Βεβαιωθείτε ότι το καλώδιο δεν έρχεται σε επαφή με αιχμηρά ή θερμά αντικείμενα και κρατήστε το μακριά από φωτιά. Για να βγάλετε το βύσμα από την πρίζα, να τραβάτε πάντα το βύσμα και όχι το καλώδιο.
- Βεβαιωθείτε ότι το καλώδιο (ή το καλώδιο επέκτασης) είναι τοποθετημένο έτσι ώστε να μην προκαλέσει κίνδυνο να σκοντάψει κανείς.
- Να προσέχετε πάντα τη συσκευή κατά τη χρήση.
- Προειδοποίηση! Όσο το βύσμα είναι στην πρίζα, η συσκευή είναι συνδεδεμένη στην πηγή τροφοδοσίας.
- Απενεργοποιήστε τη συσκευή πριν τραβήξετε το βύσμα από την πρίζα.
- Ποτέ μην μεταφέρετε τη συσκευή από το καλώδιο.
- Μην χρησιμοποιείτε συσκευές που δεν παρέχονται μαζί με τη συσκευή.
- Συνδέστε τη συσκευή μόνο σε ηλεκτρική πρίζα με τάση και συχνότητα που αναφέρονται στην ετικέτα της συσκευής.
- Συνδέστε το βύσμα σε μια εύκολα προσβάσιμη ηλεκτρική πρίζα έτσι ώστε σε περίπτωση



έκτακτης ανάγκης η συσκευή να μπορεί να αποσυνδεθεί αμέσως. Για να απενεργοποιήσετε πλήρως τη συσκευή, βγάλτε το βύσμα από την πρίζα.

- Απενεργοποιείτε πάντα τη συσκευή πριν αποσυνδέσετε το βύσμα.
- Μην χρησιμοποιείτε ποτέ εξαρτήματα διαφορετικά από αυτά που συνιστώνται από τον κατασκευαστή. Σε αντίθετη περίπτωση, μπορεί να δημιουργηθεί κίνδυνος για τον χρήστη και να προκληθεί ζημιά στη συσκευή. Χρησιμοποιείτε μόνο αυθεντικά εξαρτήματα και αξεσουάρ.
- Αυτή η συσκευή δεν προορίζεται για χρήση από άτομα (συμπεριλαμβανομένων παιδιών) με μειωμένες σωματικές, αισθητήριες ή διανοητικές ικανότητες ή με έλλειψη πείρας και γνώσης.
- Αυτή η συσκευή δεν πρέπει, σε καμία περίπτωση, να χρησιμοποιείται από παιδιά.
- Κρατήστε τη συσκευή και το καλώδιο μακριά από παιδιά.
- Να αποσυνδέετε πάντα τη συσκευή από το ρεύμα εάν αφήνεται χωρίς επιτήρηση ή δεν χρησιμοποιείται και πριν από εργασίες συναρμολόγησης, αποσυναρμολόγησης ή καθαρισμού.
- Μην αφήνετε ποτέ τη συσκευή χωρίς επιτήρηση ενώ βρίσκεται σε λειτουργία.

## Ειδικοί κανονισμοί ασφαλείας

- Αυτή η συσκευή έχει σχεδιαστεί για τη σύντομη αποθήκευση και παρουσίαση τροφίμων όπως επιδόρπια, κέικ ή συσκευασμένα μαρούλια, λαχανικά, ποτά, φρούτα κλπ. σε χαμηλή θερμοκρασία. Αυτή η συσκευή είναι σε θέση να διατηρεί συνεχώς τη θερμοκρασία των τροφίμων εντός καθορισμένων ορίων σε χαμηλή θερμοκρασία. Μην αποθηκεύετε άλλα προϊόντα στη συσκευή. Μην τοποθετείτε επικίνδυνα προϊόντα, όπως καύσιμα, αλκοόλ, χρώματα, εύφλεκτα ή εκρηκτικά υλικά κλπ μέσα ή κοντά στη συσκευή. Μην αποθηκεύετε φάρμακα μέσα στη συσκευή.
- Τα προϊόντα που τοποθετούνται στη συσκευή πρέπει να είναι ήδη προ-ψυγμένα. Διαφορετικά, η εξάτμιση της υγρασίας κατά την ψύξη των τροφίμων μπορεί να συμπυκνωθεί στο εσωτερικό του διαμερίσματος ψύξης. Αυτό είναι μια φυσιολογική διαδικασία και δεν υποδηλώνει κάποια δυσλειτουργία της συσκευής.
- Η συσκευή πρέπει να εγκατασταθεί, να τεθεί σε λειτουργία και να επισκευάζεται από εξειδικευμένο ή εκπαιδευμένο άτομο. Η συσκευή προορίζεται για χρήση από εκπαιδευμένο ή εξειδικευμένο προσωπικό όπως προσωπικό κουζίνας ή μπαρ.
- **ΠΡΟΕΙΔΟΠΟΙΗΣΗ:** Μην χρησιμοποιείτε μηχανικές συσκευές ή άλλα μέσα για να επιταχύνετε τη διαδικασία απόψυξης, πέραν αυτών που συνιστώνται από τον κατασκευαστή.
- **ΠΡΟΕΙΔΟΠΟΙΗΣΗ:** Μην φθείρετε το κύκλωμα του ψυκτικού μέσου.



- **Προσοχή! Κίνδυνος πυρκαγιάς!** Ως ψυκτικό μέσο χρησιμοποιείται το R290, που είναι εύφλεκτο, φιλικό προς το περιβάλλον, δεν βλάπτει τη στιβάδα του όζοντος και δεν εντείνει το φαινόμενο του θερμοκηπίου. Ωστόσο, η χρήση αυτού του ψυκτικού μέσου προκαλεί μια ελαφρά αύξηση της στάθμης θορύβου της συσκευής. Εκτός από τον θόρυβο που προκαλεί ο συμπιεστής, μπορεί να ακούγεται το ψυκτικό που ρέει στο σύστημα. Αυτό είναι αναπόφευκτο και δεν έχει αρνητικές επιπτώσεις στην απόδοση της συσκευής. Κατά τη μεταφορά και την εγκατάσταση της συσκευής, προσέξτε να μην υποστούν βλάβη τα εξαρτήματα του συστήματος ψύξης. Η διαρροή ψυκτικού μπορεί να προκαλέσει οφθαλμολογική βλάβη.

- Ο παράγοντας εμφύσησης αφρού που χρησιμοποιείται σε αυτή τη συσκευή είναι  $C_5H_{10}$  Είναι εξαιρετικά εύφλεκτο.
- **ΠΡΟΕΙΔΟΠΟΙΗΣΗ:** Απομακρύνετε όλα τα εμπόδια γύρω από όλα τα ανοίγματα εξαερισμού της συσκευής. Παρέχετε αρκετό εξαερισμό στην περιβάλλουσα δομή κατά την εγκατάσταση. Μην κλείνετε την αναρρόφηση της ροής αέρα και την έξοδο αέρα προκειμένου να διατηρείται η κυκλοφορία του αέρα.
- **ΠΡΟΕΙΔΟΠΟΙΗΣΗ:** Μην χρησιμοποιείτε ηλεκτρικές συσκευές στο εσωτερικό των διαμερισμάτων φύλαξης τροφίμων της συσκευής, εκτός εάν είναι του τύπου που προτείνεται από τον κατασκευαστή.
- Τοποθετείτε τη συσκευή σε καθαρή, σταθερή, οριζόντια και επίπεδη επιφάνεια.
- Διατηρείτε τη συσκευή μακριά από θερμές επιφάνειες και ανοικτές φλόγες. Προστατεύετε τη συσκευή από τη θερμότητα, τη σκόνη, την απευθείας έκθεση στον ήλιο, την υγρασία, τις διαρροές και την εκτίναξη νερού.
- Κατά τη διάρκεια της χρήσης, αφήνετε τουλάχιστον 10 cm ελεύθερο χώρο γύρω από τη συσκευή για επαρκή εξαερισμό.
- Μην χτυπάτε με βαριά σκεύη την γυάλινη επιφάνεια της συσκευής. Μην χρησιμοποιείτε πίδακες νερού ή συσκευές καθαρισμού με ατμό κατά τον καθαρισμό της συσκευής και μην την βυθίζετε σε νερό, καθώς τα εξαρτήματά της θα βραχούν και μπορεί να προκληθεί ηλεκτροπληξία.
- Μην τοποθετείτε αντικείμενα επάνω στη συσκευή. Μην τοποθετείτε αντικείμενα με ανοικτές πηγές φωτιάς (π.χ. κεριά) επάνω ή δίπλα στη συσκευή. Μην τοποθετείτε αντικείμενα με νερό (π.χ. βάζα) επάνω ή κοντά στη συσκευή.
- Μην καλύπτετε ποτέ τη συσκευή κατά τη χρήση. Ενδέχεται να προκληθεί πυρκαγιά.
- Μην πλένετε τη συσκευή με νερό. Το πλύσιμο μπορεί να προκαλέσει διαρροές και να αυξήσει τον κίνδυνο ηλεκτροπληξίας.
- Μην δημιουργείτε πρόσθετα ανοίγματα στη συσκευή. Μην τοποθετείτε πρόσθετα εξαρτήματα στη συσκευή.
- Μην υπερφορτώνετε τα ράφια για να αποφύγετε τυχόν ζημιά. Το μέγιστο βάρος φόρτωσης κάθε ραφιού είναι περίπου 18 κιλά.
- Μην προσπαθήσετε να ανεβείτε πάνω στη συσκευή.

## Εγκατάσταση της συσκευής

- Η συσκευή δεν πρέπει να έχει κλίση άνω των  $45^\circ$ . Αφού εγκαταστήσετε τη συσκευή, περιμένετε 2 ώρες πριν την συνδέσετε στο ρεύμα. Το ίδιο ισχύει και σε περίπτωση μεταγενέστερης μετακίνησης της συσκευής.
- Η συσκευή πρέπει να τοποθετείται πάντα σε ξηρό περιβάλλον.
- Πρέπει επίσης να αφήνεται τουλάχιστον 10 cm ελεύθερος χώρος στην πίσω, αριστερή και δεξιά πλευρά της συσκευής για λόγους αερισμού. Σε αντίθετη περίπτωση, μπορεί να επηρεαστεί η απόδοση της συσκευής.
- Συνιστούμε να τοποθετείτε τη συσκευή σε χώρο με επαρκή φυσικό αερισμό.

## Ηλεκτρικά εξαρτήματα και άλλοι κίνδυνοι

- Όταν χρησιμοποιείτε τη συσκευή, δεν πρέπει να συνδέσετε στην ίδια πρίζα άλλες συσκευές.
- Μην τοποθετείτε επικίνδυνα προϊόντα, όπως καύσιμα, αλκοόλ, χρώματα, εύφλεκτα ή εκρηκτικά υλικά κλπ μέσα ή κοντά στη συσκευή, καθώς ενδέχεται να προκύψει κίνδυνος πυρκαγιάς.
- Μην αποθηκεύετε φάρμακα μέσα στη συσκευή.
- Εάν απενεργοποιήσετε ή αποσυνδέσετε τη συσκευή από την παροχή ηλεκτρικού ρεύματος, περιμένετε περίπου 5 λεπτά πριν την ενεργοποιήσετε ξανά.
- Μην πλένετε τη συσκευή με νερό καθώς μπορεί να προκληθούν διαρροές και κίνδυνος ηλεκτροπληξίας. Κανένα μέρος/εξαρτήματα δεν μπορεί να τοποθετηθεί σε πλυντήριο πιάτων.

---

### Προβλεπόμενη χρήση

- Η συσκευή προορίζεται για επαγγελματική χρήση.
- Αυτή η συσκευή έχει σχεδιαστεί μόνο για να διατηρεί τα τρόφιμα ή ποτά σε δροσερή κατάσταση και για την προβολή τους για λιανική πώληση σε εστιατόρια, καντίνες, άλλες εμπορικές επιχειρήσεις όπως αρτοποιεία, κασάπικα, σούπερ μάρκετ κλπ.

Οποιαδήποτε άλλη χρήση μπορεί να προκαλέσει ζημιά στη συσκευή ή τραυματισμό.

- Η χρήση της συσκευής για οποιονδήποτε άλλο σκοπό θεωρείται εσφαλμένη. Ο χρήστης είναι αποκλειστικά υπεύθυνος για την μη.

---

### Γείωση

Αυτή η συσκευή ταξινομείται στην κλάση προστασίας Ι και πρέπει να συνδέεται με γείωση προστασίας. Η γείωση μειώνει τον κίνδυνο ηλεκτροπληξίας παρέχοντας ένα καλώδιο διαφυγής για το ηλεκτρικό ρεύμα.

Αυτή η συσκευή είναι εξοπλισμένη με καλώδιο που φέρει καλώδιο γείωσης με βύσμα γείωσης. Το βύσμα πρέπει να είναι συνδεδεμένο σε σωστά τοποθετημένη και γειωμένη πρίζα.

## Λειτουργικά μέρη της συσκευής

### Έξοδος αέρα

- Μην φράζετε ποτέ την έξοδο αέρα. Αφήστε τον ψυχρό αέρα που κυκλοφορεί στο εσωτερικό να βγαίνει έξω.

### Ράφι

- Το ύψος των ραφιών είναι ρυθμιζόμενο. Για να ρυθμίσετε το ύψος των ραφιών:
  - 1) Βγάλτε το ράφι από τη συσκευή.
  - 2) Μετακινήστε το στήριγμα του ραφιού στο ύψος που επιθυμείτε.
  - 3) Τοποθετήστε το ράφι επάνω στο στήριγμα.

### Αναρρόφηση αέρα

- Μην φράζετε ποτέ την αναρρόφηση αέρα. Ο αέρας εισέρχεται από το εξωτερικό και στο ψυγείο κυκλοφορεί ψυχρός αέρας.

### Γυάλινη πόρτα

### Ψηφιακός ελεγκτής

### Τροχός

### Διακόπτης τροφοδοσίας



GR

## Προετοιμασία πριν την πρώτη χρήση

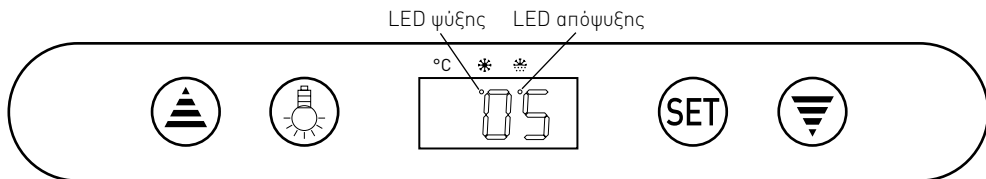
- Αφαιρέστε κάθε προστατευτική συσκευασία.
- Βεβαιωθείτε ότι υπάρχουν όλα τα μέρη και εξαρτήματα της συσκευής. Σε περίπτωση μη ολοκληρωμένης παράδοσης και ζημιών: Επικοινωνήστε με τον προμηθευτή (Βλ. ==> Εγγύηση).
- Καθαρίστε όλα τα μέρη της συσκευής όπως περιγράφεται (Βλ. ==> Καθαρισμός και συντήρηση).
- Τοποθετήστε όλα τα ράφια στη συσκευή.

**Σημείωση:** Λόγω καταλοίπων από τη διαδικασία παραγωγής, η συσκευή ενδέχεται να παράγει μια ελαφριά μυρωδιά στους πρώτους κύκλους λειτουργίας της. Αυτό είναι φυσιολογικό και δεν υποδηλώνει βλάβη ή κίνδυνο. Βεβαιωθείτε ότι η συσκευή διαθέτει καλό εξαερισμό.

## Λειτουργία

- Συνδέστε το φιν σε μια κατάλληλη ηλεκτρική πρίζα. Αφήστε τη συσκευή να λειτουργήσει μερικές ώρες

για να φτάσει στη θερμοκρασία ψύξης, πριν τοποθετήσετε στο εσωτερικό της ποτά ή τρόφιμα.



### • Λειτουργία ψηφιακού ελεγκτή θερμοκρασίας

#### 1). Ρύθμιση της θερμοκρασίας

- Πατήστε το κουμπί (SET) για να μεταβείτε σε λειτουργία ρύθμισης. Εμφανίζεται η θερμοκρασία που έχει οριστεί.
- Πατήστε το κουμπί (▲) ή το κουμπί (▼) για να αυξήσετε ή να μειώσετε τη θερμοκρασία.
- Πατήστε ξανά το κουμπί (SET) για επιβεβαίωση της ρύθμισης και έξοδο. Εμφανίζεται η θερμοκρασία του θαλάμου.

### Σημείωση:

- Εάν δεν πατηθεί κανένα κουμπί εντός 10 δευτερολέπων, θα αποθηκευτεί η τελευταία ορισθείσα θερμοκρασία.
- Το εύρος της θερμοκρασίας που μπορεί να οριστεί κυμαίνεται από 2°C έως 6°C. Η πραγματική θερμοκρασία στο εσωτερικό της συσκευής μπορεί να έχει διακυμάνσεις ανάλογα με την εξωτερική θερμοκρασία του περιβάλλοντος
- Διατηρείτε την πόρτα ανοικτή για όσο το δυνατόν μικρότερο διάστημα για να διατηρείται η ψυχρή θερμοκρασία στον θάλαμο.

#### 2). Φωτισμός μέσα στον θάλαμο

- Πατήστε το κουμπί (☀) για να ενεργοποιήσετε τον φωτισμό. Πατήστε ξανά το κουμπί (☀) για να απενεργοποιήσετε τον φωτισμό.

#### 3). Λυχνία LED ψύξης

- Κατά τη διάρκεια της λειτουργίας ψύξης (με ενεργοποιημένο τον συμπιεστή), η λυχνία LED ψύξης θα παραμένει αναμμένη.

- Όταν επιτευχθεί στον θάλαμο η θερμοκρασία που ορίσατε, η λυχνία LED ψύξης θα αρχίσει να αναβοσβήνει.
- Όταν αρχίσει η απόψυξη, η λυχνία LED ψύξης θα σβήσει.

#### 4). Λυχνία LED απόψυξης

- Κατά τη διάρκεια της λειτουργίας απόψυξης, η λυχνία LED απόψυξης θα παραμένει αναμμένη.

- Μετά την ολοκλήρωση της απόψυξης, η λυχνία LED απόψυξης θα σβήσει.

## Καθαρισμός και συντήρηση

**Προσοχή:** Να αποσυνδέετε πάντα τη συσκευή από την πρίζα πριν ξεκινήσετε εργασίες καθαρισμού ή συντήρησης.

### Καθαρισμός

- Οι εξωτερικές και εσωτερικές επιφάνειες μπορούν να καθαριστούν με ένα νωπό πανί και μια μικρή ποσότητα καθαριστικού μέσου.
- Τα ράφια μπορούν να αφαιρεθούν και να πλυθούν με νερό.
- Μην χρησιμοποιείτε πίδακες νερού ή συσκευές καθαρισμού με ατμό και μη βυθίζετε τη συσκευή μέσα σε νερό.
- Κανένα μέρος της συσκευής δεν μπορεί να πλυθεί σε πλυντήριο πιάτων.
- Καθαρίζετε τακτικά τη συσκευή.

Εξαρτήματα	Τρόπος καθαρισμού	Σημείωση
Όλα τα εξαρτήματα όπως ράφια, στηρίγματα ραφιών κλπ	<ul style="list-style-type: none"><li>• Βάλτε τα σε ζεστό σαπουνόνερο για περίπου 10 έως 20 λεπτά.</li><li>• Ξεπλύνετε καλά με καθαρό νερό.</li></ul>	Στεγνώστε καλά όλα τα εξαρτήματα.
Εξωτερικές γυάλινες επιφάνειες	<ul style="list-style-type: none"><li>• Σκουπίστε με ένα μαλακό πανί και ουδέτερο απορρυπαντικό. Βεβαιωθείτε ότι δεν εισέρχεται νερό ή υγρασία στο εσωτερικό της συσκευής.</li></ul>	
Εσωτερικές γυάλινες επιφάνειες	<ul style="list-style-type: none"><li>• Αφαιρέστε τυχόν υπολείμματα τροφίμων.</li><li>• Σκουπίστε με ένα μαλακό πανί και ήπιο απορρυπαντικό. Βεβαιωθείτε ότι δεν εισέρχεται νερό ή υγρασία στο εσωτερικό της συσκευής.</li></ul>	
Γυάλινη πόρτα		

GR

### Αποθήκευση της συσκευής για μεγάλο χρονικό διάστημα

- **Προσοχή:** Να αποσυνδέετε πάντα τη συσκευή από την πρίζα.
- Αφαιρέστε όλα τα τρόφιμα από τη συσκευή.
- Καθαρίστε τη συσκευή όπως περιγράφεται στην ενότητα Καθαρισμός. (Βλ. == > Καθαρισμός).
- Φυλάξτε τη συσκευή σε δροσερό και καθαρό μέρος και μακριά από τα παιδιά.

## Αντιμετώπιση προβλημάτων

Αν η συσκευή δεν λειτουργεί σωστά, συμβουλευτείτε τον παρακάτω πίνακα για πιθανές λύσεις. Αν συνεχίσετε να μην μπορείτε να επιλύσετε το πρόβλημα, επικοινωνήστε με τον προμηθευτή/πάροχο σέρβις.

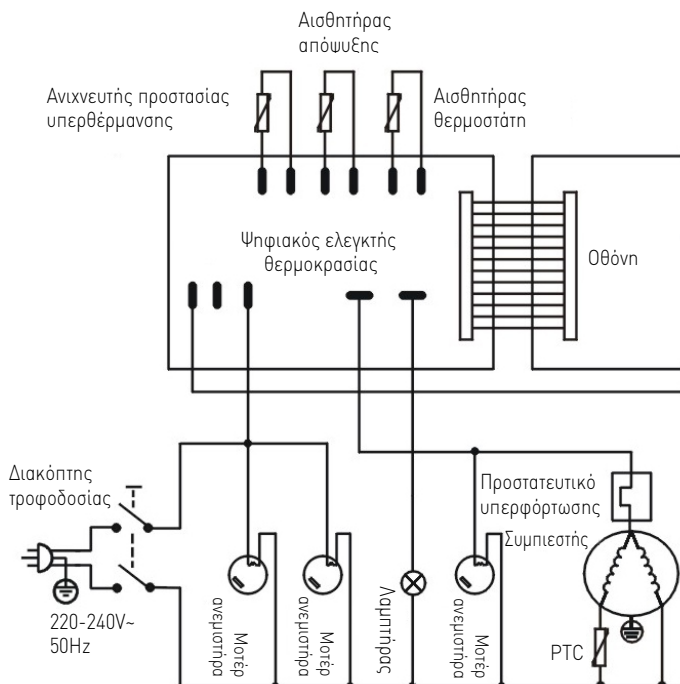
Προβλήματα	Πιθανή αιτία	Πιθανή λύση
Η συσκευή δεν αρχίζει να ψύχεται μετά τη σύνδεσής της στο ρεύμα.	Έχει ενεργοποιηθεί η θερμική διακοπή.	Απευθυνθείτε στον προμηθευτή/πάροχο σέρβις για επισκευή.
	Ο συμπιεστής είναι ελαττωματικός.	
Η ψύξη δεν είναι αρκετή.	Το φινιρίσμα δεν είναι σωστά συνδεδεμένο στην πρίζα.	Βεβαιωθείτε ότι όλες οι συνδέσεις είναι σωστά συνδεδεμένες.
	Η συσκευή είναι εκτεθειμένη σε ισχυρή ηλιακή ακτινοβολία ή βρίσκεται κοντά σε πηγή θερμότητας.	Μετακινήστε τη συσκευή σε νέα θέση, μακριά από άμεση ηλιακή ακτινοβολία.
	Η πόρτα δεν έχει κλείσει καλά ή η φλάντζα σφραγίσματος είναι ελαττωματική.	Κλείστε καλά την πόρτα.
	Έχει τοποθετηθεί υπερβολικά μεγάλη ποσότητα τροφίμων μέσα στη συσκευή.	Τοποθετήστε μικρότερη ποσότητα τροφίμων μέσα στη συσκευή.
Εξέρχεται υπερβολικός θόρυβος.	Ο περιβάλλον αερισμός δεν είναι επαρκής.	Βεβαιωθείτε ότι παρέχεται επαρκής εξαερισμός διατηρώντας απόσταση τουλάχιστον 10 cm από τον τοίχο ή άλλα αντικείμενα.
	Η συσκευή δεν έχει τοποθετηθεί σε οριζόντια θέση.	Βεβαιωθείτε ότι η συσκευή έχει τοποθετηθεί σε οριζόντια θέση.
	Η συσκευή ακουμπά σε τοίχο ή άλλα αντικείμενα.	Βεβαιωθείτε ότι διατηρείται απόσταση τουλάχιστον 10 cm από τον τοίχο ή άλλα αντικείμενα.
	- Υπάρχουν χαλαρά εξαρτήματα στο εσωτερικό της συσκευής	Απευθυνθείτε στον προμηθευτή/πάροχο σέρβις για επισκευή.

## Τεχνικές προδιαγραφές

Αρ. προϊόντος	233276	233283
Τάση και συχνότητα λειτουργίας	220-240V~ /50Hz	
Ονομαστική ισχύς εισόδου	495W	500W
Ρύθμιση θερμοκρασίας	Ρύθμιση από 2°C έως 6°C	
Κατηγορία προστασίας	Κατηγορία I	
Κλιματική κλάση	4	
Χρησιμοποιούμενο ψυκτικό μέσο και ποσότητα έγχυσης	R290/ 90g	R290/ 110g
Τροφοδοσία φωτισμού	4*1.5W (LED)	4*1.5W (LED)
Ονομαστική τιμή ρεύματος	2.8A	2.9A
Εύφλεκτος παράγοντας αφρισμού	C <sub>5</sub> H <sub>10</sub>	
Επίπεδο θορύβου	< 70 dB (A)	
Χωρητικότητα θαλάμου	400L	550L
Εξωτερικές διαστάσεις	650 x 650 x (Y)1908mm	850 x 650 x (Y)1908mm

**Σημείωση: Οι τεχνικές προδιαγραφές μπορούν να τροποποιηθούν χωρίς προηγούμενη ειδοποίηση.**

## Ηλεκτρικό Διάγραμμα (Προϊόντος 233276, 233283)





---

## Εγγύηση

Οποιοδήποτε ελάττωμα επηρεάζει τη λειτουργικότητα της συσκευής που γίνεται προφανές ένα χρόνο μετά την αγορά της, θα διορθώνεται με δωρεάν επισκευή ή αντικατάσταση, αρκεί η συσκευή να έχει χρησιμοποιηθεί και συντηρηθεί σύμφωνα με τις οδηγίες και να μην έχει γίνει κατάχρηση ή λανθασμένη χρήση της με οποιοδήποτε τρόπο. Δε θίγονται τα νόμιμα δικαιώματά σας. Εάν η συσκευή υποστηρίζεται από εγγύηση, δηλώστε πού και πότε έχει αγοραστεί

και συμπεριλάβετε την απόδειξη αγοράς (π.χ. απόδειξη λιανικής πώλησης).

Σύμφωνα με την πολιτική μας για τη συνεχή εξέλιξη των προϊόντων μας, διατηρούμε το δικαίωμα να αλλάξουμε το προϊόν, τη συσκευασία και τις προδιαγραφές τεκμηρίωσής του χωρίς προειδοποίηση.

---

## Απόρριψη & Περιβάλλον

Η συσκευή, μετά το πέρας της διάρκειας ζωής της, δεν πρέπει να απορρίπτεται ως οικιακό απόρριμμα. Πρέπει να απορρίπτεται, με δική σας ευθύνη, σε καθορισμένο σημείο συλλογής. Η μη τήρηση αυτού ενδέχεται να τιμωρείται σύμφωνα με τους ισχύοντες κανονισμούς για τη διάθεση των απορριμμάτων. Η χωριστή συλλογή και ανακύκλωση αυτής της συσκευής κατά τη στιγμή της απόρριψης βοηθά στη διατήρηση των φυσικών πόρων και εξασφαλίζει την

ανακύκλωσή της με τρόπο που προστατεύει την ανθρώπινη υγεία και το περιβάλλον. Για περισσότερες πληροφορίες σχετικά με το πού μπορείτε να απορρίψετε τη συσκευή για ανακύκλωση, επικοινωνήστε με την τοπική εταιρεία συλλογής απορριμμάτων. Οι κατασκευαστές και οι εισαγωγείς δεν αναλαμβάνουν την ευθύνη ανακύκλωσης, επεξεργασίας και οικολογικής διάθεσης, είτε άμεσα είτε μέσω δημόσιου συστήματος.

ΣΕΡΒΙΣ ΕΛΛΑΔΟΣ:

Serviceworld

τηλ.: 210.6203.838 (10 γραμμές)

info@serviceworld.gr

www.serviceworld.gr

GR





**Hendi B.V.**

Steenoven 21  
3911 TX Rhenen, The Netherlands  
**Tel:** +31 (0)317 681 040  
**Email:** info@hendi.eu

**Hendi Polska Sp. z o.o.**

ul. Magazynowa 5  
62-023 Gądki, Poland  
**Tel:** +48 61 6587000  
**Email:** info@hendi.pl

**Hendi Food Service Equipment GmbH**

Gewerbegebiet Ehring 15  
5112 Lamprechtshausen, Austria  
**Tel:** +43 (0) 6274 200 10 0  
**Email:** office.austria@hendi.eu

**Hendi UK Ltd.**

Central Barn, Hornby Road  
Lancaster, LA2 9JX, United Kingdom  
**Tel:** +44 (0)333 0143200  
**Email:** sales@hendi.co.uk

**Hendi Food Service Equipment Romania Srl**

Str. 13 decembrie 94A, Hala 14  
Braşov, 500164, Romania  
**Tel:** +40 268 320330  
**Email:** office@hendi.ro

**PKS Hendi South East Europe SA**

5 Metsovou Str.  
18346 Moschato, Athens, Greece  
**Tel:** +30 210 4839700  
**Email:** office.greece@hendi.eu

**Hendi HK Ltd.**

1208, 12/F Exchange Tower  
33 Wang Chiu Road, Kowloon Bay, Hong Kong  
**Tel:** +852 2154 2618  
**Email:** info-hk@hendi.eu

**Find Hendi on internet:**

[www.hendi.eu](http://www.hendi.eu)  
[www.facebook.com/HendiFoodServiceEquipment](https://www.facebook.com/HendiFoodServiceEquipment)  
[www.linkedin.com/company/hendi-food-service-equipment-b.v.](https://www.linkedin.com/company/hendi-food-service-equipment-b.v.)  
[www.youtube.com/HendiEquipment](https://www.youtube.com/HendiEquipment)

- Changes, printing and typesetting errors reserved.  
- Änderungen und Druckfehler vorbehalten.  
- Wijzigingen en drukfouten voorbehouden.  
- Producent zastrzega sobie prawo do zmian oraz  
błądów drukarskich w instrukcji.

- Variations et fautes d'impression réservés.  
- Errori di cambiamenti, di stampa e di impaginazione riservati.  
- Drepturi rezervate cu privire la modificări și greșeli de imprimare.  
- Изменения, печати и верстки ошибки защищены.  
- Με επιφύλαξη αλλαγών, λαθών εκτύπωσης και στοιχειοθεσίας.