

Drawing

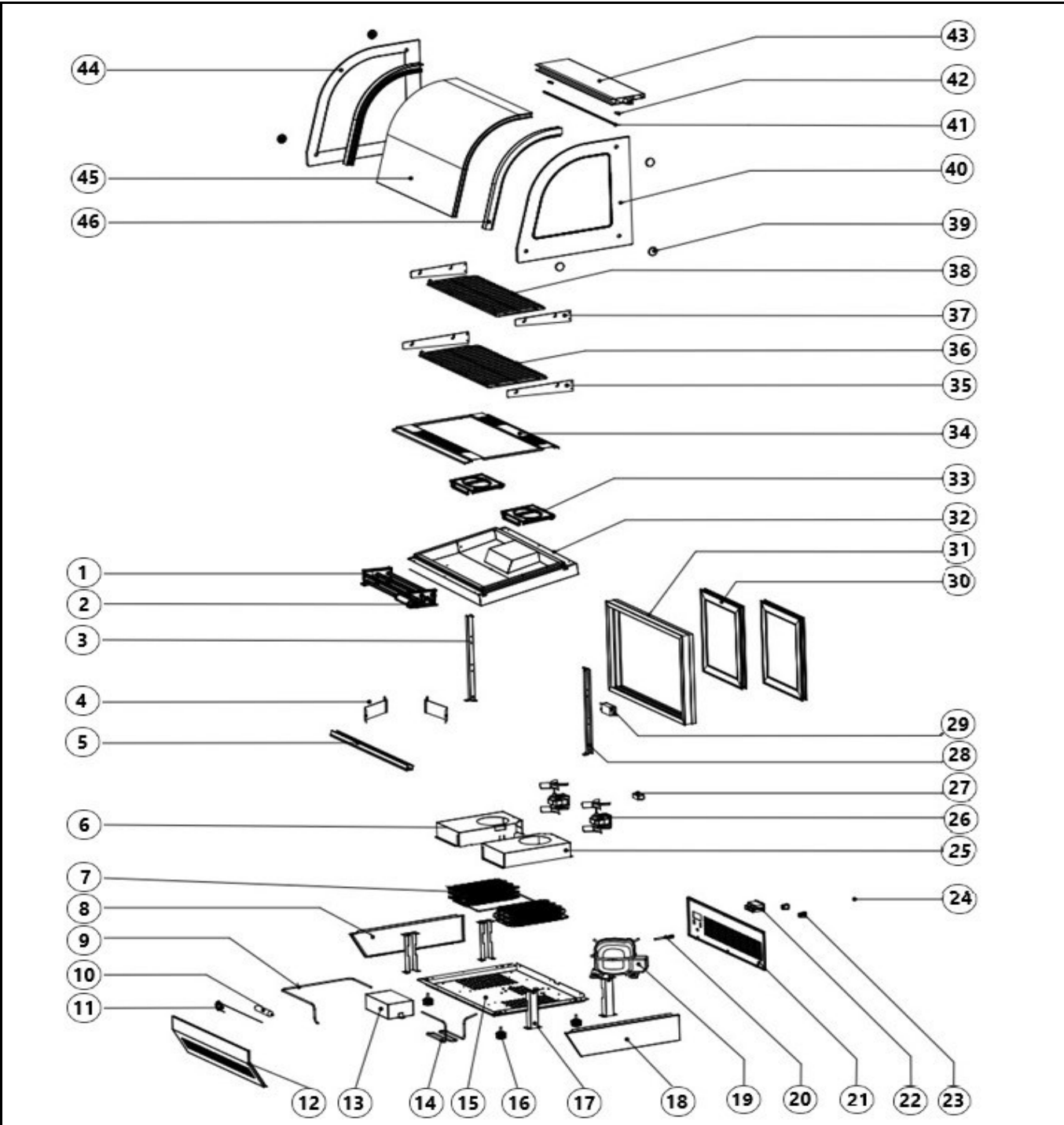


Tools for Chefs


Hendi B.V.  
 Steenoven 21  
 3911 TX Rhenen  
 The Netherlands

Batch #	Appliance part#
000000 and up	233214
Description	
Cake Display 130L	

Date	28-10-2020	Revision #	1.0
Revision	First Bill of Materials (BOM)		



### Bill of materials (BOM)

 <b style="font-size: 24px; margin-left: 10px;">HENDI</b> <small style="color: green; margin-left: 10px;">Tools for Chefs</small> <b>Hendi B.V.</b> Steenoven 21 3911 TX Rhenen The Netherlands	<b>Batch #</b>	<b>Appliance part#</b>
	000000 and up	<b>233214</b>
	<b>Description</b>	
<b>Cake Display 130L</b>		


<b>Date</b>	28-10-2020	<b>Revision #</b>	1.0
<b>Revision</b>	First Bill of Materials (BOM)		

Item	Description	Part#	Quantity	Remark	Picture
1	Evaporator	n/a	1		
2	Liquid separator	n/a	1		
3	Housing frame (left)	n/a	1		
4	Airflow bracket	n/a	1		
5	Housing frame (front)	n/a	1		
6	Condensor cover (left)	n/a	1		
7	Condensor	n/a	1		
8	Housing panel (left)	n/a	1		
9	Coolant tube	n/a	1		
10	Dryer filter	n/a	1		
11	Coolant tube	n/a	1		
12	Housing panel (front)	n/a	1		
13	Water container	n/a	1		
14	Coolant tube	n/a	1		
15	Housing panel (bottom)	n/a	1		
16	Foot	958957	4		
17	Support pillar	n/a	4		
18	Housing panel (right)	n/a	1		
19	Compressor	n/a	1	(EMT2121U)	
20	Coolant tube	n/a	1		
21	Housing panel (back)	n/a	1		
22	Digital controller	958834	1		
23	Switch	958841	1		
24	Power cord	958858	1		
25	Condensor cover (right)	n/a	1		
26	Fan	958865	2		
27	Filter (LEDs)	n/a	1		
28	Housing frame (right)	n/a	1		
29	LED driver	958872	1		
30	Door assembly	958780	2		
31	Door rail frame	n/a	1		
32	Evaporator insulation	n/a	1		
33	Evaporator cover	n/a	2		
34	Housing panel (top)	n/a	1		
35	Shelf holder (bottom)	n/a	2		
36	Shelf (bottom)	958797	1		
37	Shelf holder (top)	n/a	2		
38	Shelf (top)	958803	1		
39	Mounting screw (glass)	958889	6		
40	Glass panel (right)	958896	1		
41	LED light	958810	1		
42	LED light clip	n/a	3		
43	Glass mount bracket	n/a	1		
44	Glass panel (left)	958919	1		
45	Curved front glass	958827	1		
46	Glass seal	n/a	2		

n/a -> not available

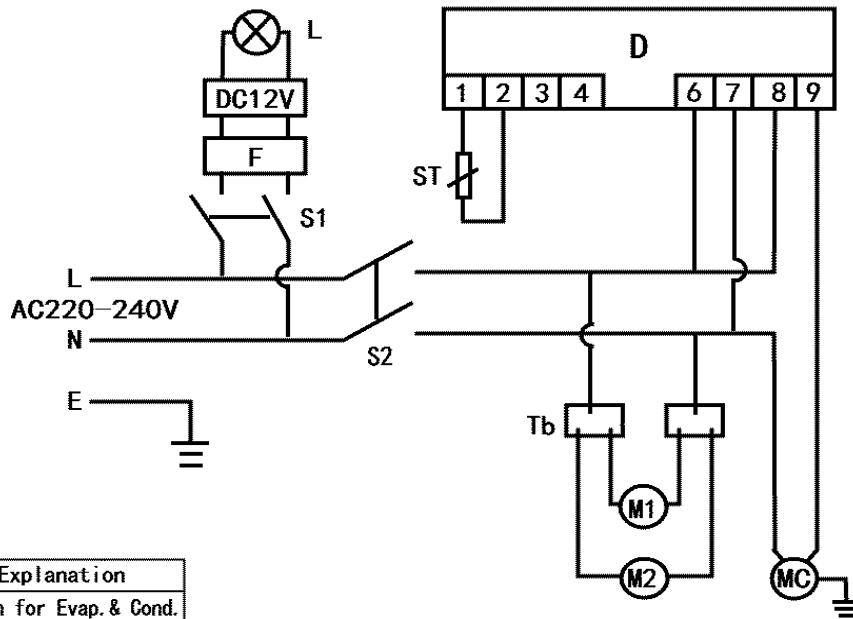
nss -> not sold separately

## Circuit diagram

 <b>HENDI</b> Tools for Chefs Hendi B.V. Steenoven 21 3911 TX Rhenen The Netherlands	<b>Batch #</b>	<b>Appliance part#</b>
	000000 and up	<b>233214</b>
	<b>Description</b>	
	Cake Display 130L	

<b>Date</b>	28-10-2020	<b>Revision #</b>	1.0
<b>Revision</b>	First Bill of Materials (BOM)		

### Circuit Diagram



Code	Explanation	Code	Explanation
M1	Fan for Evap. & Cond.	F	EMI Filter
M2	Fan for Evap. & Cond.	S2	Compressor Switch
Tb	Terminal blocks	L	LED Light
ST	Temperature Sensor	MC	Compressor
D	Dixell XR02CX		
S1	Light Switch		