

Drawing



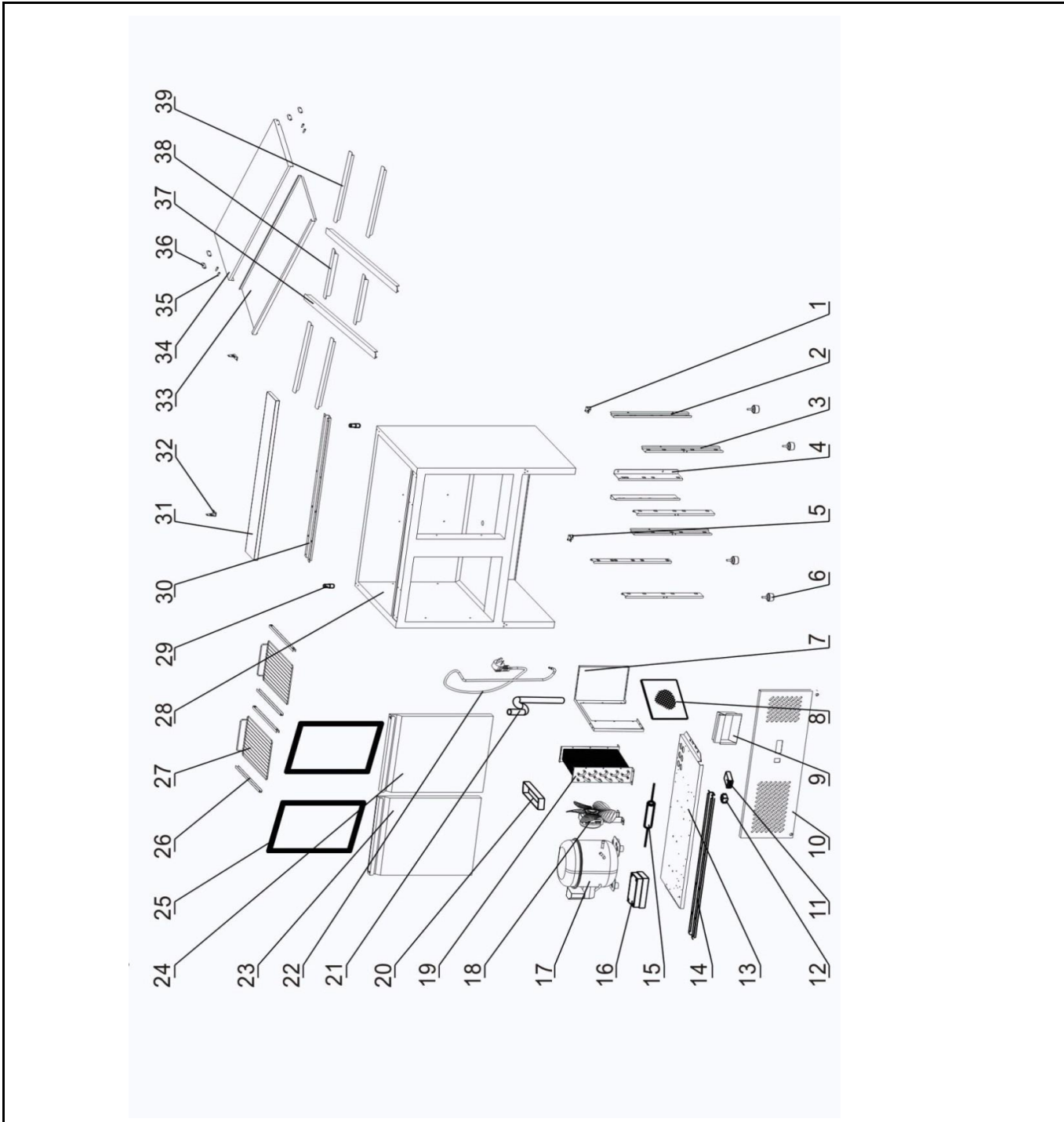
Hendi B.V.
 Steenoven 21
 3911 TX Rhenen
 The Netherlands

Batch #
 301418-000001
 and up


Appliance part#
232804

Description
Salad counter

Date	27-11-2013	Revision #	Revision version
Revision	First bill of materials (BOM)		



Bill of materials (BOM)

 HENDI <small>FOOD SERVICE EQUIPMENT</small> Hendi B.V. Steenoven 21 3911 TX Rhenen The Netherlands	Batch #	Appliance part#
	301418-000001 and up	232804
	Description	
Salad counter		


Date	27-11-2013	Revision #	Revision version
Revision	First bill of materials (BOM)		

Item	Description	Part#	Quantity	Remark	Picture
1	Bottom hinge (right)	931738	1		
2	Right holder	n/a	2		
3	Front holder	n/a	4		
4	Rear middle holder	n/a	2		
5	Bottom hinge (left)	931745	1		
6	Feet	931523	4		
7	Air duct board	n/a	1		
8	Condenser filter	931752	1		
9	Electric box cover	n/a	1		
10	Front panel	931769	1		
11	Digital controller	931530	1		
12	Switch	931547	1		
13	Bottom cover	n/a	1		
14	Bracket	n/a	1		
15	Drying filter	n/a	1		
16	Junction box	n/a	1		
17	Compressor	n/a	1		
18	Fan	931776	1		
19	Condenser	n/a	1		
20	Drain pan	n/a	1		
21	Drain pipe	916094	1		
22	Power cord	931554	1		
23	Left door	931790	1		
24	Right door	931806	1		
25	Door seal	931813	2		
26	Holder	931820	4		
27	Shelf	931561	2		
28	Frame	n/a	1		
29	Upper axis	931837	2		
30	Bracket	n/a	1		
31	Nylon cutting board	916056	1		
32	Hinge lid	931844	2		
33	Lower lid	nss	1		
34	Lid complete	931851	1	Incl item 33;35;36	
35	Hinge pin	931868	4	Also in 931851	
36	Axis inner lining	nss	2	Also in 931851	
37	Adaptor bar long	931578	2		
38	Adaptor bar short	931585	2		
39	Adaptor bar medium	931592	4		

n/a -> not available

nss -> not sold separately

Circuit diagram

 <p>Hendi B.V. Steenoven 21 3911 TX Rhenen The Netherlands</p>	Batch #	Appliance part#
	301418-000001 and up	232804
	Description	
	Salad counter	

Date	27-11-2013	Revision #	Revision version
Revision	First bill of materials (BOM)		

