

Drawing

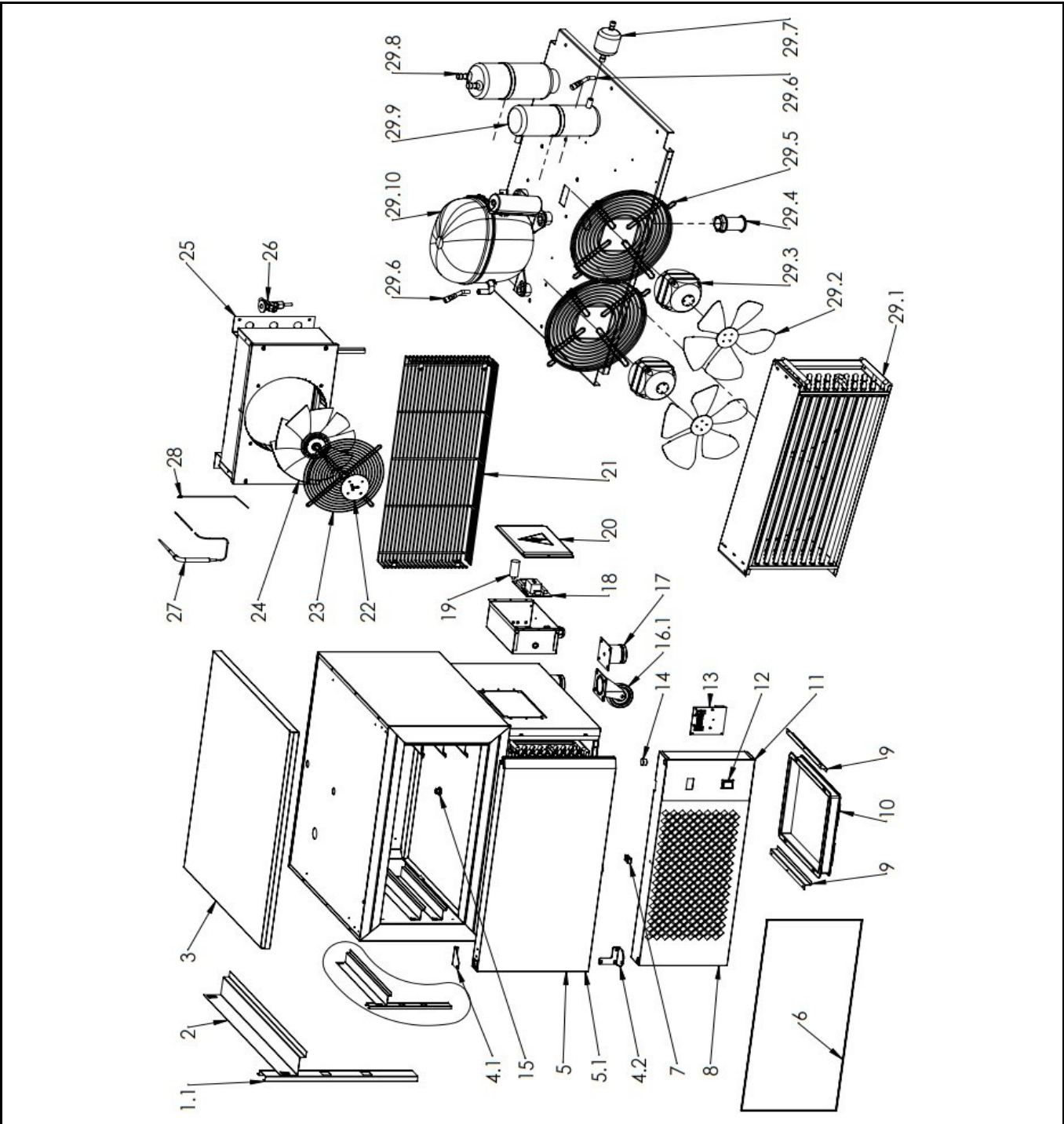


Tools for Chefs


Hendi B.V.
 Steenoven 21
 3911 TX Rhenen
 The Netherlands

Batch #	Appliance part#
000000 and up (from 01-2018)	232194
Description	
Blast Chiller 7 X GN 1/1	

Date	14-02-2022	Revision #	1.0
Revision	new model, added relais pcb		



Bill of materials (BOM)

 <b style="font-size: 24px; margin-left: 10px;">HENDI <small style="color: green; margin-left: 10px;">Tools for Chefs</small> Hendi B.V. Steenoven 21 3911 TX Rhenen The Netherlands	Batch #	Appliance part#
	000000 and up (from 01-2018)	232194
	Description	
Blast Chiller 7 X GN 1/1		

Date	14-02-2022	Revision #	1.0
Revision	new model, added relais pcb		

Item	Description	Part#	Quantity	Remark	Picture
1,1	Shelf holder bracket (right)	n/a	2		
1,2	Shelf holder bracket (left)	n/a	2		
2	Shelf holder	943526	14		
3	Housing panel (top)	n/a	1		
4,1	Door hinge (top)	n/a	1		
4,2	Door hinge (bottom)	n/a	1		
5	Door	n/a	1		
5,1	Door closer	n/a	1		
6	Door gasket	948538	1		
7	Door sensor	961964	1		
8	Front panel	n/a	1		
9	Water tray guide	n/a	2		
10	Water tray	n/a	1		
11	Display sticker (Hendi)	943571	1		
12	Switch	205426	1		
13	Main PCB	943533	1		
14	Housing plud (lower)	n/a	1		
15	Housing plug (upper)	n/a	1		
16,1	Wheel without brake	n/a	2	Not available for this model	
16,2	Wheel with brake	n/a	2	Not available for this model	
17	Foot	n/a	4		
18	Relais PCB	958926	1		
19	Capacitor (mains)	958933	1		
20	Relais housing cover	n/a	1		
21	Protective grid	n/a	1		
22	Fan mount	n/a	2		
23	Fan grid	n/a	2		
24	Fan (evaporator)	928912	2		
25	Evaporator	n/a	1		
26	Thermostatic valve	n/a	1		
27	Core temperature probe	943557	1		
28	Room temperature probe	943540	1		
29,1	Condensor	n/a	1		
29,2	Fan blade	n/a	2		
29,3	Fan (condensor)	951811	2		
29,4	Drain pipe	n/a	1		
29,5	Fan grid	n/a	2		
29,6	Coolant valve	n/a	1		
29,7	Dryer filter	n/a	1		
29,8	Liquid separator	n/a	1		
29,9	Liquid receiver	n/a	1		
29,10	Compressor	n/a	1		

n/a -> not available

nss

Wiring diagram



HENDI

Tools for Chefs

Hendi B.V.

Steenoven 21
3911 TX Rhenen
The Netherlands

Batch #

000000 and up
(from 01-2018)

Appliance part#

232194

Description

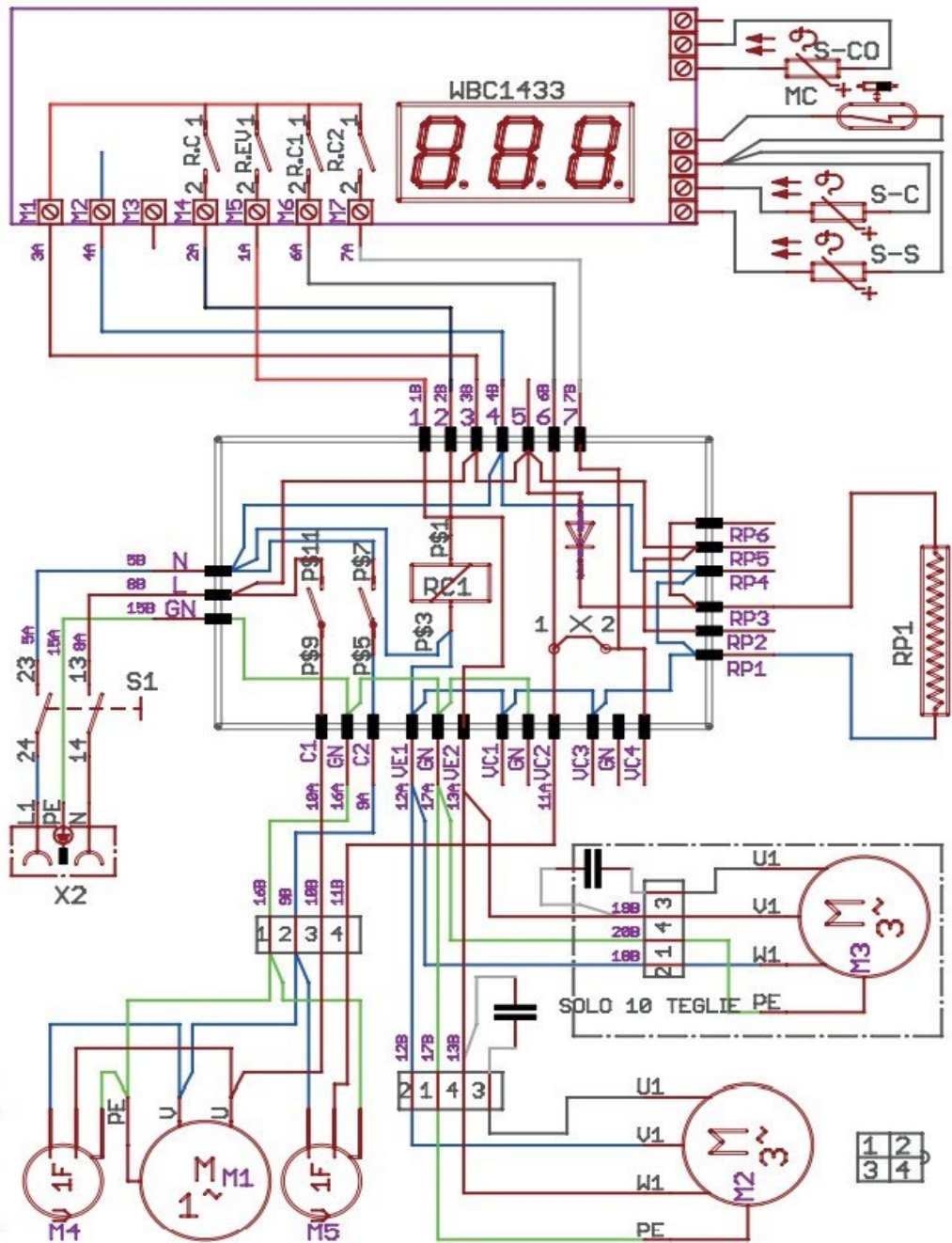
Blast Chiller 7 X GN 1/1

Date 14-02-2022

Revision # 1.0

Revision new model, added relais pcb

Number of fanmotors may differ per model



- S1**: BIPOLAR SWITCH
- C**: COMPRESSOR (MLTB)
- M1/M2**: CONDENSER FAN MOTOR
- M3**: FAN MOTOR, ADDITIONAL CONDENSER
- M4**: FAN MOTOR ON CONDENSER AND COMPRESSOR COOLING
- V1/V2/V3**: FAN MOTOR ON EVAPORATOR
- RP1**: INTERNAL HEATER ON DOOR FRAME PLASTIC
- KC**: RELAY FOR COMPRESSOR SUPPLY
- KVE**: RELAY FOR EVAPORATOR FANS SUPPLY
- MC**: OPEN DOOR SWITCH
- S-CO1/S-CO2**: CONSENSER OVERHEATING PROBE
- S-C**: PTC PROBE IN THE REFRIGERATED ROOM
- S-S**: PTC CORE PROBE FOR THE INTERNAL TEMPERATURE OF THE FOOD TO BE BLASTED
- C1/C2/C3**: CONDENSER FOR THE INTERNAL FAN IN 2 MICROFARAD
- R2**: CONDENSER INTERNAL HEATER
- PR**: HP PRESSURE SWITCH
- FI**: SWITCH MAGNETERMIC
- WBC1433**: CONTROL PANEL
- KI**: COMPRESSOR POWER SUPPLY RELAY