



Tools for Chefs

STICK BLENDER

222140, 221884, 221891, 222393



You should read this user manual carefully before using the appliance.

Bevor Sie das Gerät in Betrieb nehmen, sollten Sie diese Gebrauchsanweisung aufmerksam lesen.

Alvorens de apparatuur in gebruik te nemen dient u deze gebruiksaanwijzing aandachtig te lezen.

Przed uruchomieniem urządzenia należy koniecznie dokładnie przeczytać niniejszą instrukcję obsługi.

Lisez attentivement ce mode d'emploi avant d'utiliser l'appareil .

Prima di utilizzare l'apparecchio in funzione leggere attentamente le istruzioni per l'uso.

Citiți cu atenție prezentul manual de utilizare înainte de folosirea aparatului.

Внимательно прочитайте руководство пользователя перед использованием прибора.

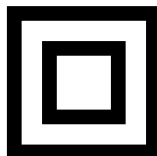
Πρέπει να διαβάσετε αυτές τις οδηγίες χρήσης προσεκτικά πριν χρησιμοποιήσετε τη συσκευή.



Keep these instructions with the appliance.
Diese Gebrauchsanweisung bitte beim Gerät aufbewahren.
Bewaar deze handleiding bij het apparaat.
Zachowaj instrukcję urządzenia
Gardez ces instructions avec cet appareil.
Conservate le istruzioni insieme all'apparecchio.
Păstrați manualul de utilizare alături de aparat.
Хранить руководство вместе с устройством.
Φυλάξτε αυτές τις οδηγίες μαζί με τη συσκευή.




For indoor use only.
Nur zur Verwendung im Innenbereich.
Alleen voor gebruik binnenshuis.
Do użytku wewnątrz pomieszczeń.
Pour l'usage à l'intérieur seulement.
Destinato solo all'uso domestico.
Doar pentru uz la interior.
Использовать только в помещениях.
Για χρήση μόνο σε εσωτερικό χώρο.



Dear Customer,

Thank you for purchasing this HENDI appliance. Read this manual carefully, paying particular attention to the safety regulations outlined below, before installing and using this appliance for the first time.

Safety regulations


- This appliance is intended for commercial use only.
- Only use the appliance for the intended purpose it was designed for as described in this manual.
- The manufacturer is not liable for any damage caused by incorrect operation and improper use.
- Keep the appliance and electrical plug away from water and other liquids. In the event the appliance falls into water, immediately remove the power plug from the socket. Do not use the appliance until it has been checked by a certified technician. Failure to follow these instructions will cause life threatening risks.
- Never attempt to open the housing of the appliance by yourself.
- Do not insert objects into the housing of the appliance.
- Do not touch the plug with wet or damp hands.
-  **DANGER OF ELECTRIC SHOCK!** Do not attempt to repair the appliance by yourself, repairs are only to be conducted by qualified personnel.
- **Never use a damaged appliance!** When it's damaged, disconnect the appliance from the socket and contact the retailer.
- **WARNING!** Do not immerse the electrical parts of the appliance in water or other liquids.
- Never hold the appliance under running water.
- Regularly check the power plug and cord for any damage. When damaged it must be replaced by a service agent or similarly qualified person in order to avoid danger or injury.
- Make sure the cord does not come in contact with sharp or hot objects and keep it away from open fire. Never pull the power cord to unplug it from the socket, always pull the plug instead.
- Make sure that the power cord and/or extension cord do not cause a trip hazard.
- Never leave the appliance unattended during use.
- **WARNING!** As long as the plug is in the socket the appliance is connected to the power source.
- Turn off the appliance before unplugging it from the socket.
- Connect the power plug to an easily accessible electrical socket so that in case of emergency the appliance can be unplugged immediately.
- Never carry the appliance by the cord.
- Do not use any extra devices that are not supplied together with the appliance.
- Only connect the appliance to an electrical outlet with the voltage and frequency mentioned on the appliance label.
- Never use accessories other than those recommended by the manufacturer. Failure to do so could pose a safety risk to the user and could damage the appliance. Only use original parts and accessories.

EN



- This appliance should not be operated by persons with reduced physical, sensory or mental capabilities, or persons that have a lack of experience and knowledge.
- This appliance should, under any circumstances, not be used by children.
- Keep the appliance and its power cord out of reach of children.
- **WARNING:** ALWAYS switch off the appliance and unplug from power socket before cleaning, maintenance or storage.

Special Safety Regulations

- Use the appliance only as described in this manual. Indoor use only.
- This appliance should be operated by trained personnel.
- Never let the blade face towards anybody while operating the appliance.
- Do not touch the blade and moving parts. Keep fingers, hair, clothing and utensils away from all moving parts.
- Dry the appliance and all accessories before connecting to the power supply and prior to attaching the accessories.
- **DANGER OF HAND INJURY!** Handle the blade with great care as it is very sharp.
- Never add ingredients to the container while the appliance is operating.
- **WARNING!** Unplug immediately after use, before removing or changing accessories.
- This product is a hand-held appliance designed to process foodstuff in a container.
- All maintenance, installation and repair works should be performed by specialized trained authorized technicians.
- **WARNING:** During operation, keep hands and utensils out of the container to reduce the risk of severe personal injury and / or damage to the blender.
- Do not continuously operate the appliance to avoid overheating the motor. The continuous operation time should not exceed over 3 minutes. Operate the appliance again, after it has been cooled.
- Do not wash the appliance with water or waterjet. Washing with water can cause leakage and increase the risk of electric shock. No parts are dishwasher safe.
- Lay out the power cord in such a way that no unintentional pulling or tripping over is possible.
- Do not clean or store the machine unless it is completely cooled down.
-  This appliance is classified as protection class II.

For mounting the wall bracket of item 222393 on the wall, please read carefully below important safety precautions:

- Installation should be done by the qualified technician for the reason of safety.
- Verify prior to installation that the wall can safely support the loading of whole set of appliance & its accessories.
- Make sure that no electrical wires, water, gas or other lines are located around the installation location.
- Consult a qualified contractor or installer for assistance if you are not certain about the structure of the wall.
- Tighten the screws firmly but do not over tighten. Over tightening can damage the screws, greatly reducing the holding power.
- During installation, keep away the pet and children.
- **WARNING!** Do not put other things except the appliance to prevent overloading of the bracket.

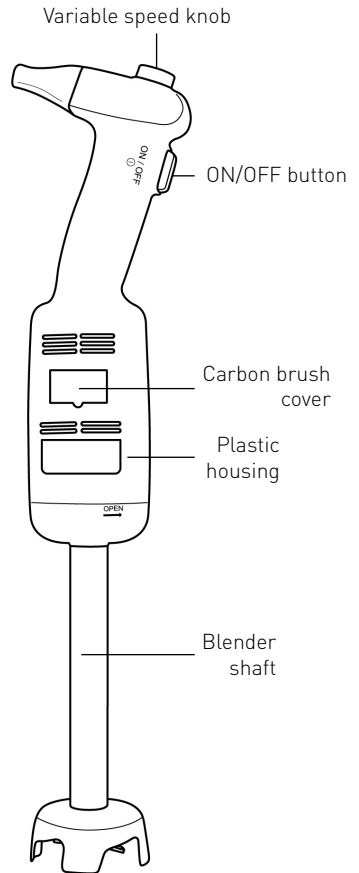
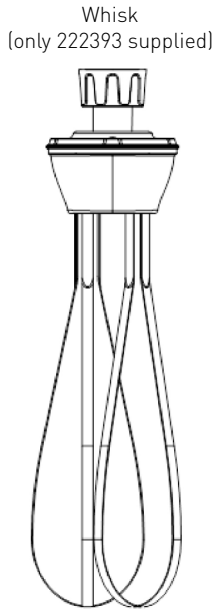
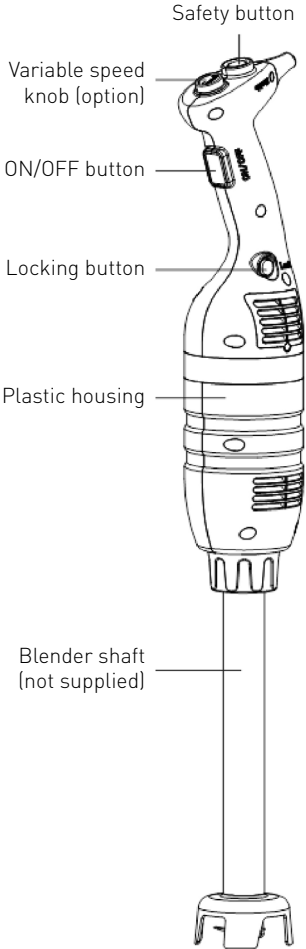
Intended use

- The appliance is intended for professional use.
- This appliance is intended only for pureeing, emulsifying and mixing hot and cold food commercially. It allows for preparation of soups, puree, creams, marzipan mass, cheese creams, etc. directly in the pot. Any other use may lead to damage to the appliance or personal injury.
- Operating the appliance for any other purpose shall be deemed a misuse of the appliance. The user shall be solely liable for improper use of the appliance.

EN



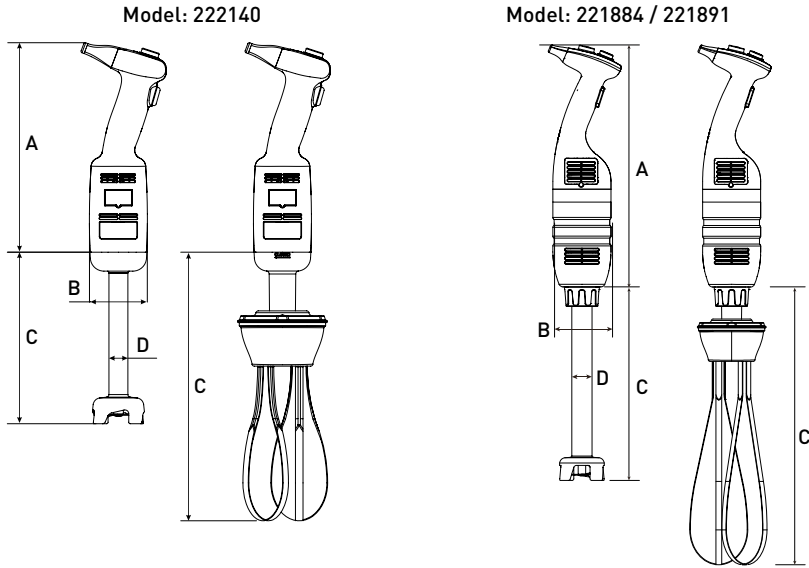
Product description



221884 with an additional
blender shaft (not supplied)
221891 with an additional
blender shaft (not supplied)
222393 with 400mm blender shaft

222140

Main technical parameters



Technical Specifications

Code	Supply voltage	Power	Approx. rotation speed	Approx. weight of main unit excluding blending shaft or whisk	A (Length)	B (Diameter)
222140	230 V/50 Hz	220 W	4,000 ~ 20,000 rpm	1,15 kg	304 mm	Ø 75 mm
221884	230 V/50 Hz	350 W	4,000 ~ 16,000 rpm	2,35 kg	416 mm	Ø 100 mm
221891	230 V/50 Hz	500 W	4,000 ~ 16,000 rpm	2,55 kg	416 mm	Ø 100 mm

Remark: Technical specifications are subject to change without prior notice.

Combination table for the Blender shaft and whisk accessories. Below accessories are not included:

Code	Approx. weight	C (Length)	D (Diameter)	Description
222164	0,81 kg	185 mm	-	Whisk for 222140 (optional)
-	0,52 kg	160 mm	Ø 28 mm	Blender shaft for 222140 (supplied)
222263	0,86 kg	250 mm	-	Whisk for model 221884 (optional) and 221891 (optional)
222225	0,82 kg	250 mm	Ø 35 mm	Blender shaft for 221884 (optional) and 221891 (optional)
222232	1,02 kg	300 mm	Ø 35 mm	
222249	1,28 kg	400 mm	Ø 35 mm	
222256	1,56 kg	500 mm	Ø 35 mm	

Remarks: Set of item 222393 = 221884 + 222249 + 222263 + wall bracket + installation kits (2 sets of mounting screws, washers and expansion bolts).



Introduction

- Read this Operation Manual carefully before using the appliance. It contains important for your safety as well as operating and maintenance advice.
- This appliance is for professional use in ice-cream shops, restaurants, hotel kitchens for preparing ice-cream mixes, vegetable soups, purees, sauces, stuffing, mayonnaise, tomato paste, pesto, etc.
- If you wish to make the best use of the stick blender functions, you must be thoroughly familiar with its performance and operating features.
- Maintenance requires just a few simple operations that may be performed by the operator.
- To ensure a long life and minimize operating costs, follow the instructions given in this manual.
- The manufacturer has designed the Immersion Blender to ensure safe operating conditions. Removal of protections installed by the manufacturer will seriously undermine the guaranteed safety conditions.
- To ensure safety, comply with the instructions regarding installation and connection of the device to the power supply.
- The device must be installed in a work environment free of corrosive agents.
- The installation area must not be potentially explosive.
- Use only supplied SPARE PARTS.
- This Operation Manual is an integral part of the Immersion Blender and must be kept in a safe place. The features, information and drawings published herein are the exclusive property of the manufacturer.
- The appliance functions make it possible to prepare in the minimum time the following types of food: thick vegetable purees, soups, mashed potatoes, creams, batters, doughs, mayonnaise, almond pulp, cream cheese etc.

Preparations before bracket mounting on the wall (For item: 222393 only)

EN

Before installation: Check the wall bracket for any damage & the completeness of the installation kits (2 set of mounting screws, washers and expansion bolts included). DO NOT install if any missing or damage.

Note:

- Consult a qualified contractor or installer for assistance if you are not certain about the structure of the wall and ensure that the procedure is carried out properly and safely.
- Installation work should be done by qualified technicians for the reason of safety.
- The distance between the holes of mounting screws is about 217mm. Make clear the surrounding before installation.
- **Important:** Before starting bracket mounting on the wall, make sure you have all the tools, such as screw driver, electric drills, measuring tape, marking pencil (All are not included).
- The bracket must be securely anchored on a wall by attaching two mounting screws with the expansion bolts inserted.
- Be aware of the items such as ducts, electrical wires and water pipes that hide behind the walls in your work area. Special care is required during installation.



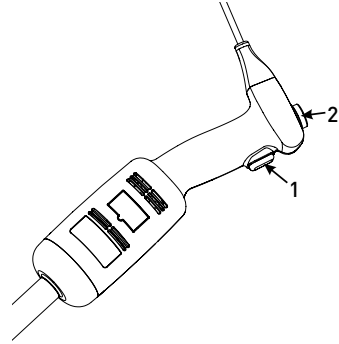
Operating instructions (Model: 222140)

CAUTION: Before connecting the appliance to the power supply, check that the power supply voltage corresponds with the power supply details shown on the rating label.

REMARK: There is no lock function for continuous operation for this model 222140.

Operating the appliance:

1. Ensure that the appliance is disconnected from the power supply before assembly.
2. Connect the blending shaft/whisk to the main unit.
3. Check that the ON/OFF button (1) is in the released (flat) position.
4. Connect the appliance to the power supply.
5. Then, press the ON/OFF button (1). The appliance will turn on. **BE CAREFUL!**
6. To turn off the appliance, release the ON/OFF button (1).



Operating instructions (Model: 221884, 221891, 222393)

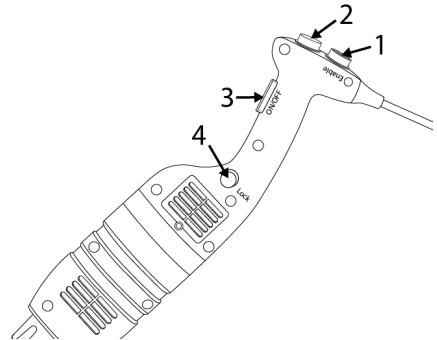
CAUTION: Before connecting the appliance to the power supply, check that the power supply voltage corresponds with the power supply details shown on the rating label.

REMARK: There is lock function for continuous operation for the model 221884 & 221891.

EN

Starting and stopping the appliance

1. Ensure that the appliance is disconnected from the power supply before assembled.
2. Connect the blending shaft/whisk to the main unit.
3. Check that the ON/OFF button (3) is in the released (flat) position.
4. Connect the appliance to the power supply.
5. Press and hold the Safety button (1) first.
6. Then, press the ON/OFF button (3) at the same time. The appliance will start up. **BE CAREFUL!**
7. Release the Safety button (1), the appliance will keep operating.
8. To stop the appliance, release the ON/OFF button (3).



Continuous operating the appliance:

Follow steps 1 to 7 above, then:

- With the ON/OFF button (3) in "pressed" position, press Locking button (4) once.
- Release the ON/OFF button (3) and the appliance will keep operating in a continuous mode.
- To turn off the appliance, press and release the ON/OFF button (3).



Variable speed operation (Model: 222140, 221884, 221891, 222393)

Follow steps 1 to 7 above, then:

- Change the speed of the motor by turning the variable speed button [2] towards the maximum or minimum as required. It is advisable to start the device at a low speed when using the whisk.

With the self-regulating speed system, the selected speed will remain constant even if the consistency of your mixture changes.

REMARKS:

Blender function: For better control, we recommend you hold the blender by the handle and the bottom of the motor unit. Furthermore, we recommend you tilt the blender slightly to prevent the bell from touching the bottom of the container. Always make sure that the bell is sufficiently immersed to avoid splashing and that the air vents of the motor unit do not come into contact with any liquid. For optimum efficiency, two-thirds of the blending arm should be immersed in the mixture being prepared.

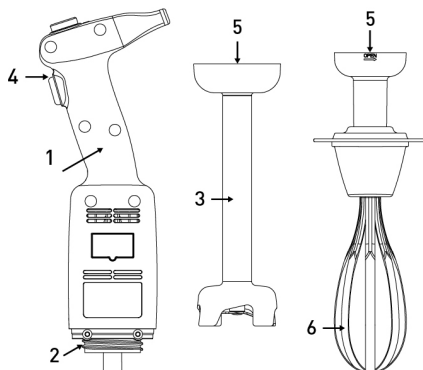
Whisk function: You can also hold the device with one hand the bowl with the other hand if necessary. During operation we recommend you move the whisk around in the bowl in order to ensure that the mixture is completely homogeneous. Keep the whisk away from the sides of the bowl. For maximum efficiency, at least one-fifth of the whisk length should be immersed. Never immerse the whisk holder in the mixture.

Assembling / Disassembly of the attachments

The assembly / disassembly operations of the appliance are performed with the appliance stopped and disconnected from the power supply.

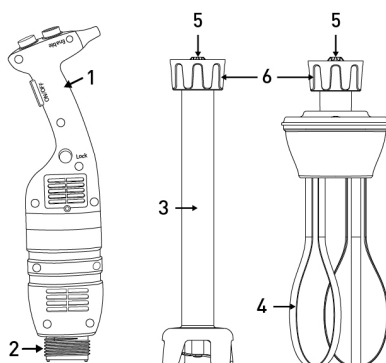
Assembly: Model 222140:

1. Align and insert the coupling (5) of the blending shaft (3) or the whisk (6) in the clutch (2) of the main unit (1).
2. Screw thoroughly the blending arm (3) or whisk (6) to the main unit (1).



Assembly: Model 221884, 221891, 222393:

1. Align and insert the coupling (5) of the blending shaft (3) or the whisk (4) in the clutch (2) of the main unit (1). Make sure the narrower part of the appliance coupling fits the concave side of the blender shaft (3) or whisk (4) arm coupling.
2. Screw the nut (6) up to fasten it firmly to the main unit (1).



Follow the above steps in the reverse order to disassembly the accessories.

Cleaning instructions

Before cleaning always unplug the appliance from the source of power supply.

- After using the Stick Blender in a hot mixture, cool the blending shaft in cold water before dismantling the bell from the blender shaft. Clean the shaft immediately after use to prevent adhesion of the mixture.
- Never immerse the motor unit or the handle in water; clean with a damp cloth or a sponge.
- Blender shaft and bell cleaning: Place the blending arm and the bell in a suitable container with clean water and switch on for a few seconds.

- **WARNING:** Always dry the blades thoroughly after cleaning to avoid rust spotting.
- Never immerse the whisk holder in water; clean with a damp cloth or a sponge.
- After use clean the appliance with a detergent or disinfectant. Do not use undiluted bleach. Do not use alkaline detergents to clean plastic parts.



Troubleshooting

In case of a power cut or if the device has been unplugged, release the ON/OFF button (3), check the power supply and restart the device.

If the device is switched off due to overheating, release the ON/OFF button (3), and unplug the device, wait a few minutes for the motor to cool down and the thermal safety mechanism to be reset, and then restart the device.

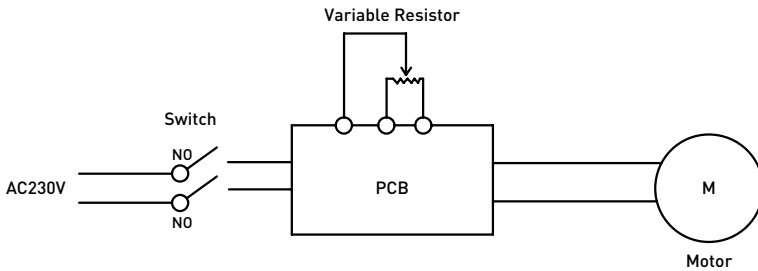
If the cause of the problem cannot be determined: release the ON/OFF button (3), unplug the device, check below:

1. the plug
2. that the blades are free to rotate in the bell,
3. that state of the power cord,
4. the drive shaft is free to rotate. To this end, remove the bell and test the rotation of the end of the drive shaft manually.

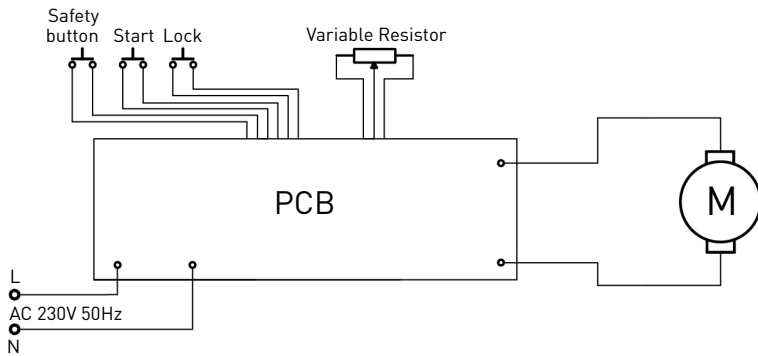
If a malfunction occurs which is listed in this operation manual, consult your retailer or return the device to the after-sales service.

Electrical diagram

Model 222140

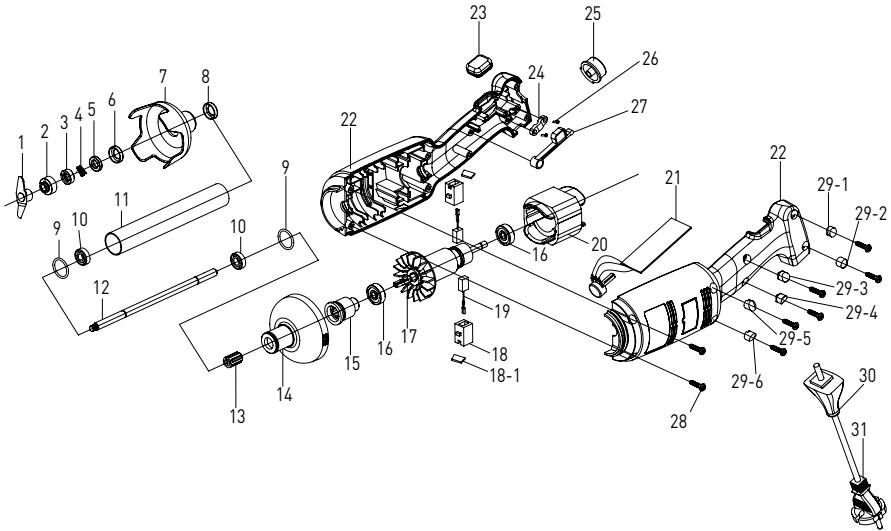


Model 221884, 221891, 222393



Exploded drawing & part list for model 222140

Model 222140



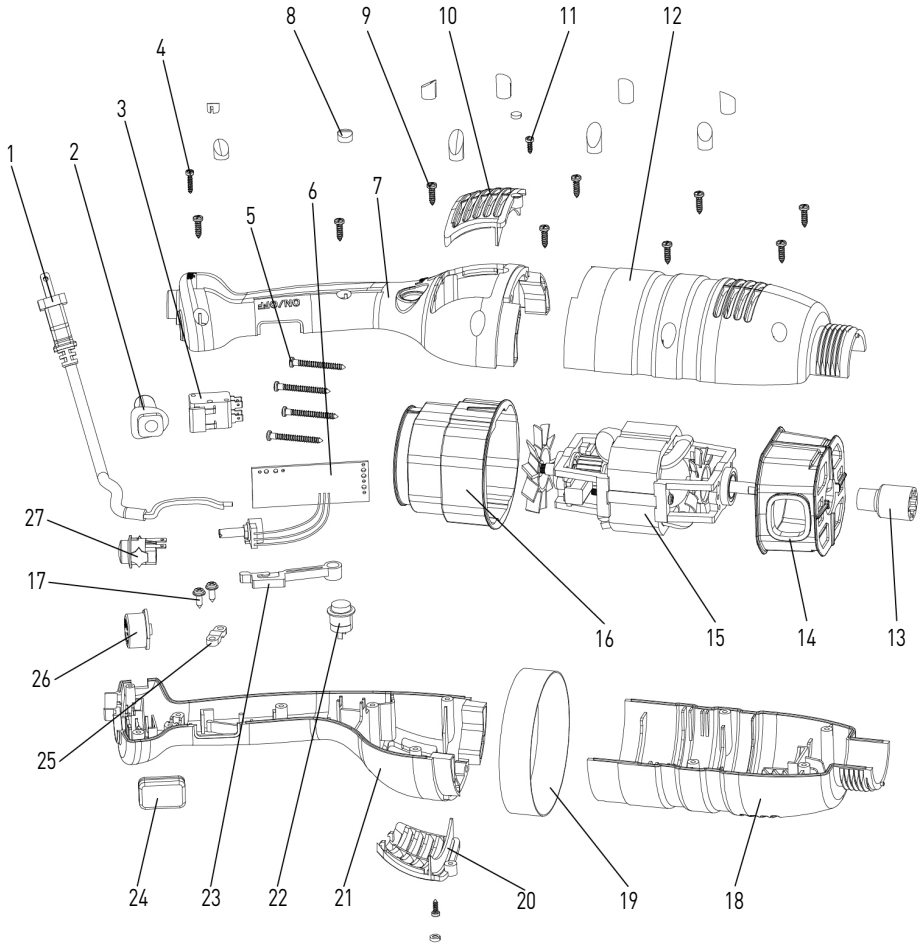
Part list – model 222140 main unit and blender shaft

Part No.	Part Name	Part No.	Part Name	Part No.	Part Name
1	Blade	14	Plastic head housing	26	Pressing board screw
2	Convex ring	15	Spline sleeve	27	Switch osculant staff
3	Graphite ring spring	16	Bearing	28	Housing screw
4	Graphite ring	17	Rotor	29-1	Screw plunger 28-1
5	Ceramic ring	18	Brush barrel	29-2	Screw plunger 28-2
6	Ceramic ring sleeve	18-1	Brush cover	29-3	Screw plunger 28-3
7	Knife protector	19	Brush	29-4	Screw plunger 28-4
8	Bearing sleeve	20	Stator	29-5	Screw plunger 28-5
9	Seal ring	21	PCB Speed control board	29-6	Screw plunger 28-6
10	W688Z Bearing	22	Left and right housing	30	Cable sheath
11	S/S tube	23	Rubber interlocking protector	31	Power cord
12	Output axis	24	Pressing board		
13	Spline	25	Speed control key		

EN



Exploded drawing & part list for model 221884, 221891, 222393 (Main unit only)



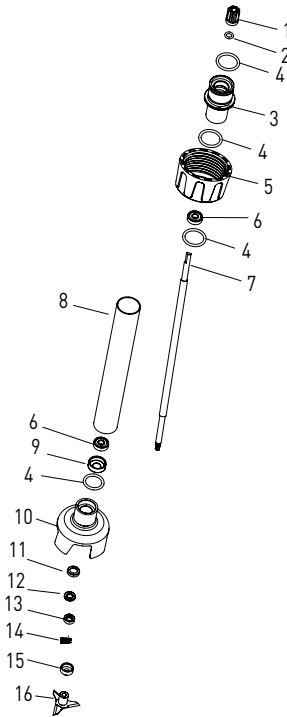
EN

Part list – model 221884, 221891, 222393 (main unit only)

Part No.	Part Name	Part No.	Part Name	Part No.	Part Name
1	Power cord	10	Air outlet cover	19	Ring
2	Cable tie	11	Pressing board screw	20	Air outlet cover
3	Switch	12	Housing 2	21	Housing 4
4	Pressing board screw	13	Spline sleeve	22	Locking button
5	Pressing board screw	14	Bottom motor cover	23	Switch oculant staff
6	PCB control panel	15	Motor	24	Switch sheath
7	Housing 1	16	Upper motor cover	25	Pressing board
8	Screw plunger	17	Pressing board screw	26	Speed control key
9	Pressing board screw	18	Housing 3	27	Safety button



Blender shafts (Optional) for model 221884 & 221891



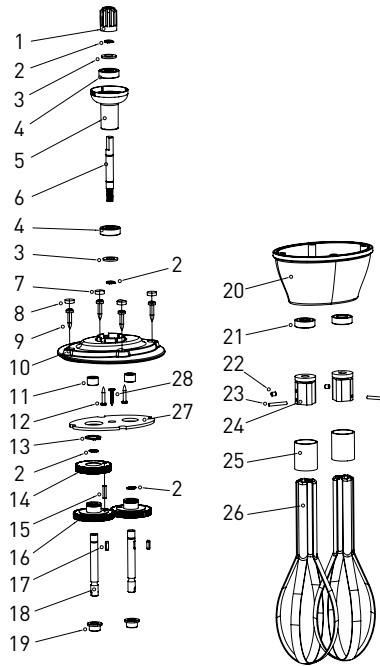
EN

Part list – blender shafts (optional): 222225, 222232, 222249, 222256

Part No.	Part Name	Part No.	Part Name	Part No.	Part Name
1	Spline sleeve	7	Output axis (Different length depend on different model)	13	Graphite ring
2	Spline sleeve seal ring	8	304 S/S tube (Different length depend on different model)	14	Graphite ring spring
3	Connect sleeve	9	Bearing sleeve	15	Convex ring
4	Connect sleeve seal ring	10	Knife protector	16	Blade
5	Fastening sleeve	11	Ceramic ring sleeve		
6	608 bearing	12	Ceramic ring		



Whisk (Optional) for model 222140



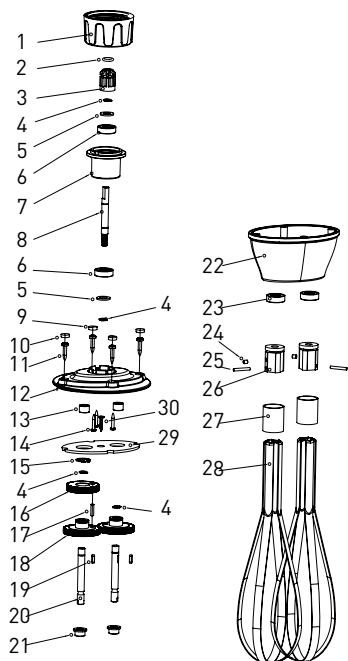
EN

Part list – whisk (optional): model 222164

Part No.	Part Name	Part No.	Part Name	Part No.	Part Name
1	Spline sleeve	11	Needle bearing	21	Oil sealing
2	Ø8 Snap ring	12	Screw	22	M4x5 Screw
3	Bearing washer	13	Ø16 Snap ring	23	Cylindrical pin
4	Bearing	14	Helical gear bearing	24	Fixed board
5	Connect sleeve	15	Cylindrical pin	25	Steel ring
6	Helical gear bearing	16	Straight gear	26	Steel bar
7	Screw plunger 2	17	Key	27	Baffle plate
8	Screw plunger 1	18	Output axis	28	Screw
9	Housing screw	19	Shaft sleeve		
10	Upper cover	20	Lower cover		



Whisks (Optional) for model 221884 & 221891



EN

Part list – whisk (optional): model 222263

Part No.	Part Name	Part No.	Part Name	Part No.	Part Name
1	Fastening sleeve	11	Housing screw	21	Shaft sleeve
2	Spline sleeve seal ring	12	Upper cover	22	Lower cover
3	Spline sleeve	13	Needle bearing	23	Oil sealing
4	Ø8 Snap ring	14	Screw	24	M4x5 Screw
5	Oil sealing	15	Ø16 Snap ring	25	Cylindrical pin
6	Bearing	16	Helical gear bearing	26	Fixed board
7	Connect sleeve	17	Cylindrical pin	27	Steel ring
8	Helical gear bearing	18	Straight gear	28	Steel bar
9	Screw plunger 2	19	Key	29	Baffle plate
10	Screw plunger 1	20	Output axis	30	Screw



Warranty

Any defect affecting the functionality of the appliance which becomes apparent within one year after purchase will be repaired by free repair or replacement provided the appliance has been used and maintained in accordance with the instructions and has not been abused or misused in any way. Your statutory rights are not affected. If the appliance is claimed under warranty, state where and

when it was purchased and include proof of purchase (e.g. receipt).

In line with our policy of continuous product development we reserve the right to change the product, packaging and documentation specifications without notice.

Discarding & Environment

When decommissioning the appliance, the product must not be disposed of with other household waste. Instead, it is your responsibility to dispose to your waste equipment by handing it over to a designated collection point. Failure to follow this rule may be penalized in accordance with applicable regulations on waste disposal. The separate collection and recycling of your waste equipment at the time of disposal will help conserve natural re-

sources and ensure that it is recycled in a manner that protects human health and the environment.

For more information about where you can drop off your waste for recycling, please contact your local waste collection company. The manufacturers and importers do not take responsibility for recycling, treatment and ecological disposal, either directly or through a public system.

Sehr geehrter Kunde,

Vielen Dank für den Kauf dieses Hendi Gerät. Lesen Sie dieses Handbuch sorgfältig und achten Sie besonders auf die unten aufgeführten Sicherheitsvorschriften, bevor Sie dieses Gerät zum ersten Mal installieren und verwenden.

Sicherheitsvorschriften

- Dieses Gerät ist nur für den gewerblichen Gebrauch bestim.
- Verwenden Sie das Gerät nur für den vorgesehenen Zweck, für den es entworfen wurde, wie in diesem Handbuch beschrieben.
- Der Hersteller haftet nicht für Schäden, die durch fehlerhafte Bedienung und unsachgemäße Verwendung verursacht werden.
- Halten Sie das Gerät und den elektrischen Stecker von Wasser und anderen Flüssigkeiten fern. Falls das Gerät in Wasser fällt, entfernen Sie sofort den Netzstecker von der Steckdose. Verwenden Sie das Gerät erst, wenn es von einem zertifizierten Techniker überprüft wurde. Die Nichtbefolgung dieser Anweisungen führt zu lebensbedrohlichen Risiken.
- Versuchen Sie niemals, das Gehäuse des Geräts selbst zu öffnen.
- Legen Sie keine Objekte in das Gehäuse der Appliance ein.
- Berühren Sie den Stecker nicht mit nassen oder feuchten Händen.
-  **GEFAHR EINES ELEKTRISCHEN SCHLAGS!** Versuchen Sie nicht, das Gerät selbst zu reparieren, Reparaturen sind nur von qualifiziertem Personal durchzuführen.
- **Verwenden Sie niemals ein beschädigtes Gerät!** Wenn es beschädigt ist, trennen Sie das Gerät von der Steckdose und wenden Sie sich an den Händler.
- **WARNUNG!** Tauchen Sie die elektrischen Teile des Geräts nicht in Wasser oder andere Flüssigkeiten ein.
- Halten Sie das Gerät niemals unter fließendem Wasser.
- Überprüfen Sie regelmäßig den Netzstecker und das Kabel auf Beschädigungen. Bei Beschädigung muss es durch einen Dienstleister oder eine ähnlich qualifizierte Person ersetzt werden, um Gefahren oder Verletzungen zu vermeiden.
- Stellen Sie sicher, dass das Kabel nicht mit scharfen oder heißen Gegenständen in Berührung kommt und halten Sie es von offenem Feuer fern. Ziehen Sie niemals das Netzkabel, um es von der Steckdose zu trennen, ziehen Sie stattdessen immer den Stecker.
- Stellen Sie sicher, dass das Netzkabel und/oder das Verlängerungskabel keine Auslösegefahr verursachen.
- Lassen Sie die Appliance während des Gebrauchs niemals unbeaufsichtigt.
- **WARNUNG!** Solange sich der Stecker in der Steckdose befindet, wird das Gerät an die Stromquelle angeschlossen.
- Schalten Sie die Appliance aus, bevor Sie sie vom Sockel trennen.
- Schließen Sie den Netzstecker an eine leicht zugängliche Steckdose an, so dass das Gerät im Notfall sofort abgenommen werden kann.


DE



- Tragen Sie das Gerät niemals an der Schnur.
- Verwenden Sie keine zusätzlichen Geräte, die nicht zusammen mit der Appliance geliefert werden.
- Schließen Sie das Gerät nur an eine Steckdose mit der Spannung und Frequenz an, die auf dem Etikett des Gerätes angegeben ist.
- Verwenden Sie niemals anderes Zubehör als das vom Hersteller empfohlene Zubehör. Andernfalls könnte ein Sicherheitsrisiko für den Benutzer darstellen und das Gerät beschädigen. Verwenden Sie nur Originalteile und Zubehör.
- Dieses Gerät sollte nicht von Personen mit eingeschränkter körperlicher, sensorischer oder geistiger Leistungsfähigkeit oder von Personen mit mangelnder Erfahrung und Kenntnisnahme betrieben werden.
- Dieses Gerät sollte unter keinen Umständen von Kindern verwendet werden.
- Bewahren Sie das Gerät und das Netzkabel außerhalb der Reichweite von Kindern auf.
- **ACHTUNG:** Schalten Sie das Gerät immer aus und ziehen Sie es vor der Reinigung, Wartung oder Lagerung von der Steckdose ab.

Besondere Sicherheitsvorschriften

- Verwenden Sie das Gerät nur wie in diesem Handbuch beschrieben. Verwenden Sie das Gerät nur in Innenräumen.
- Dieses Gerät sollte von geschultem Personal bedient werden.
- Während des Betriebes darf man die Schneide nicht auf sich in der Nähe befindende Personen richten.
- Während des Funktionsbetriebes darf man weder die Schneide noch die anderen beweglichen Teile berühren. Während des Funktionsbetriebes darf man nicht die beweglichen Teile mit der Hand als auch mit den anderen Küchengeräten berühren; die Haare zusammenbinden.
- Das Gerät und sein Zubehör müssen vor dem Anschluss an die Stromquelle und der Montage des Zubehörs genau getrocknet werden.
- **ES BESTEHT DIE GEFAHR VON VERLETZUNGEN DER HAND!** Man muss vorsichtig sein – das Messer ist scharf.
- Geben Sie während des Funktionsbetriebes keine Zutaten in das Gefäß.
- **WARNUNG:** Nach dem Gebrauch und vor dem Abnehmen bzw. Ändern des Zubehörs ist das Gerät von der Stromversorgung zu trennen.
- Der Stabmixer ist für die Verarbeitung von Lebensmittelprodukten in einem Behälter.
- Sämtliche Wartungs- und Montagearbeiten sowie die Reparatur des Geräts sollten durch qualifizierte, berechnete Techniker durchgeführt werden.
- **WARNUNG:** Stecken Sie nie ihre Hände oder das Küchenzubehör in den Behälter während des Funktionsbetriebs ein, um so das Risiko der schweren Körperverletzungen und/oder Beschädigungen des Stabmixers zu vermeiden.
- Verwenden Sie nicht das Gerät für lange Zeit zur Vermeidung der Überhitzung des Motors. Das Gerät sollte nicht ununterbrochen arbeiten, und zwar länger als 3 Minuten. Das Gerät kann man wieder erst nach seinem Abkühlen verwenden.

- Waschen Sie das Gerät nicht mit einem starken Wasserstrahl. Beim Waschen des Geräts kann Wasser in den elektrischen Teil gelangen und so zu einem Stromschlag führen. Die Teile des Geräts dürfen in der Spülmaschine nicht gereinigt werden.
- Verlegen Sie das Netzkabel so, dass niemand es unbeabsichtigt zieht oder darüber stolpert.
- Reinigen und stellen Sie das Gerät nicht am Lagerort ab, bis es nicht völlig abgekühlt ist.
-  Der Stabmixer ist ein Gerät der II. Schutzklasse.

Um die Halterung (mit Modell 222393 mitgeliefert) an die Wand zu befestigen, machen Sie sich mit den nachfolgenden Sicherheitshinweisen genau vertraut.

- Für die Sicherheit sollte die Montage durch einen qualifizierten Techniker durchgeführt werden.
- Überprüfen Sie vor der Montage, dass die Wand das Gewicht des ganzen Geräts und seines Zubehörs aufnehmen kann.
- Vergewissern Sie sich, dass es in der Nähe des Montageortes keine elektrischen Kabel, Wasser- und Gasanschlüsse sowie anderen Anlagenelemente gibt.
- Setzen Sie sich mit einer Ausführungsfirma oder einem qualifizierten Spezialisten in Verbindung, wenn Sie sich der Wandkonstruktion nicht sicher sind.
- Ziehen Sie die Schrauben an. Ziehen Sie die Schraube nicht zu fest an. Ein zu festes Anziehen der Schrauben kann zu ihrer Beschädigung führen und die Stabilität der Montage erheblich verringern.
- Während der Montage dürfen sich weder Kinder noch Tiere am Montageort befinden.
- **WARNUNG!** Legen Sie auf der Halterung keine Gegenstände als das Gerät, um die Überladung der Halterung zu vermeiden.

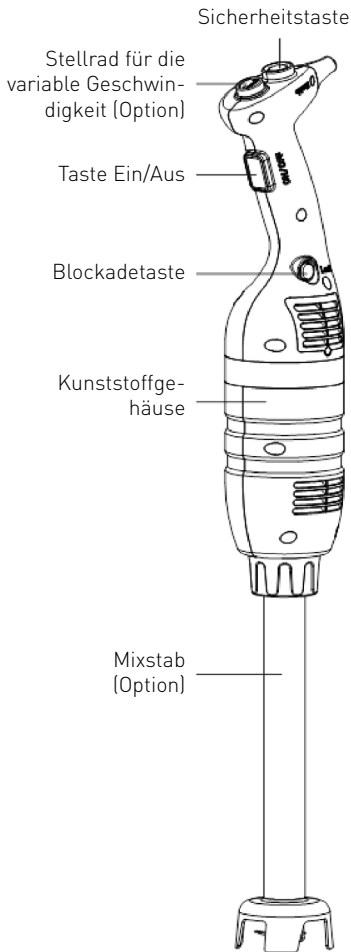
DE

Verwendungszweck

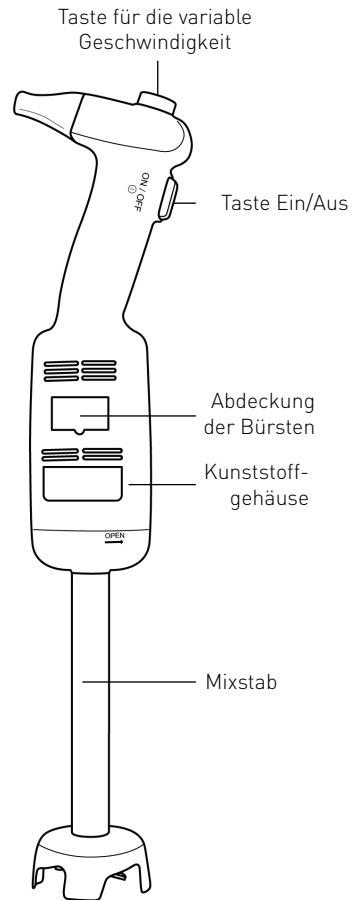
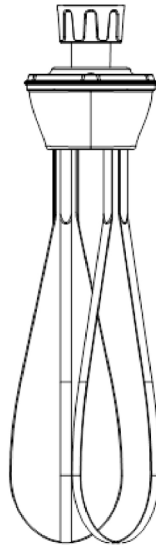
- Das Gerät ist für den professionellen Einsatz geeignet.
- Das Gerät darf nur zum Reiben, Emulgieren sowie Mischen von heißen und kalten Lebensmitteln für kommerzielle Zwecke verwendet werden. Mit dem Gerät kann man Suppen, Püree, Creme, Marzipanmasse, Rahmkäse usw. direkt im Geschirr zubereiten. Die Verwendung des Geräts für andere Zwecke kann zu seiner Beschädigung oder zu Körperverletzungen führen.
- Jede andere Verwendung des Gerätes gilt als nicht bestimmungsgemäß. Der Benutzer ist allein verantwortlich für die unsachgemäße Nutzung des Gerätes.



Beschreibung des produktes



Schneebesen
(mitgeliefert nur für
Modell 222393)

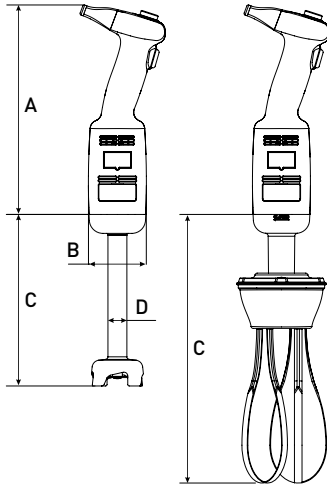


221884 = mit
zusätzlichem Mixstab (Option)
221891 = mit
zusätzlichem Mixstab (Option)
Modell 222393 mit dem Mixstab 400 mm

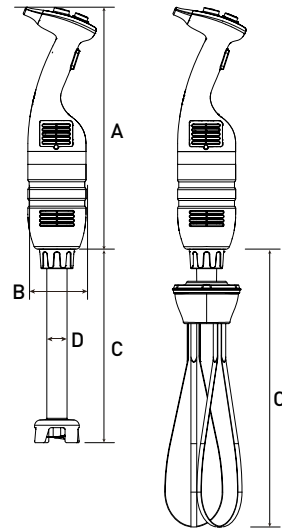
222140

Technische hauptparameter

Modell: 222140



Modelle: 221884/221891



Technische Spezifikation

Code	Spannung der Stromversorgung	Leistung	Geschätzte Drehzahl	Geschätztes Gewicht des Gehäuses ohne Mixstab oder Schneebesen	A (Länge)	B (Durchmesser)
222140	230 V/50 Hz	220 W	4 000 ~ 20 000 U/Min.	1,15 kg	304 mm	Ø 75 mm
221884	230 V/50 Hz	350 W	4 000 ~ 16 000 U/Min.	2,35 kg	416 mm	Ø 100 mm
221891	230 V/50 Hz	500 W	4 000 ~ 16 000 U/Min.	2,55 kg	416 mm	Ø 100 mm

Achtung: Die technische Spezifikation kann sich ohne Vorankündigung ändern.

Kombinationstabelle mit dem Anschluss des Mixstabes und Schneebesens.

Das angegebene Zubehör wird nicht mit dem Gerät angeliefert.

Code	Gewicht ca.	C (Länge)	D (Durchmesser)	Beschreibung
222164	0,81 kg	185 mm	-	Schneebesen für Modell 222140 (optional)
-	0,52 kg	160 mm	Ø 28 mm	Mixstab für Modell 222140 (mitgeliefert)
222263	0,86 kg	250 mm	-	Schneebesen für Modelle 221884 (optional) und 221891 (optional)
222225	0,82 kg	250 mm	Ø 35 mm	
222232	1,02 kg	300 mm	Ø 35 mm	
222249	1,28 kg	400 mm	Ø 35 mm	Mixstab für Modelle 221884 (optional) und 221891 (optional)
222256	1,56 kg	500 mm	Ø 35 mm	

Hinweise: Modell 222393 - Satz - umfasst 221884 + 222249 + 222263 + Wandhalterung + Montagesets (2 Sets der Befestigungsschrauben, Unterlagen und Dübel).



Einführung

- Man muss sich mit der vorliegenden Gebrauchsanweisung genau vertraut machen. Sie enthält wichtige Informationen bezüglich der Sicherheit des Anwenders sowie die Verwendungs- und Wartungshinweise.
- Das Gerät ist für den professionellen Gebrauch in Eisdielen, Restaurants, Hotelküchen zwecks der Zubereitung von Eis, Gemüsesuppen, Püree, Soßen, Füllung, Mayonnaise, Tomatenpaste, Pesto, etc. geeignet.
- Um die Möglichkeiten des Gerätes komplett zu nutzen, muss man seine Funktion gut kennen.
- Die Wartung des Gerätes beruht auf einigen einfachen Tätigkeiten, die vom Bediener ausgeführt werden können.
- Um eine lange Betriebszeit bei gleichzeitiger Senkung der Betriebskosten zu gewährleisten, muss man die Anweisung beachten.
- Das Gerät wurde durch den Hersteller so ausgelegt, um auch eine Sicherheit für den Nutzer zu gewährleisten.
- Das Abnehmen der durch den Hersteller installierten Sicherheitseinrichtungen senkt erheblich die Sicherheit bei der Nutzung des Gerätes.
- Zur Gewährleistung der Sicherheit muss man auch während der Installation und dem Netzanschluss des Gerätes entsprechend der Anweisung verfahren.
- Das Gerät ist in einem Arbeitsbereich zu installieren, in dem es keine korrodierenden Faktoren gibt.
- Der Installationsbereich darf nicht explosionsgefährdet sein.
- Es sind ausschließlich die mitgelieferten ER-SATZTEILE zu verwenden.
- Die vorliegende Anweisung ist integraler Bestandteil des Gerätes und man muss sie an einem sicheren Ort aufbewahren. Die in der Anweisung dargestellten Funktionen, Daten und Abbildungen sind ausschließliches Eigentum des Herstellers.
- Die Funktionen des Gerätes ermöglichen die Vorbereitung folgender Arten von Lebensmitteln, und das in der kürzesten Zeit: dickes Gemüsepüree, Suppen, Kartoffelbrei, Creme, Kuchen, Mayonnaise, Mandelbrei, cremige Käsearten usw.

DE

Vorbereitungsmaßnahmen vor der Montage der Halterung an der Wand (ausschließlich Modell 222393)

Vor Montage: Überprüfen Sie die Wandhalterung auf Beschädigung und Vollständigkeit der Montagesets (2 Sets der Befestigungsschrauben, Unterlagen und Dübel). Wenn die Wandhalterung beschädigt oder unvollständig ist, MONTIEREN Sie sie NICHT.

Hinweis:

- Setzen Sie sich mit einer qualifizierten Ausführungsfirma oder einem Spezialisten in Verbindung, wenn Sie sich der Wandkonstruktion nicht sicher sind. Auf diese Art und Weise wird die richtige und sichere Montage des Gerätes sichergestellt.
- Für die Sicherheit sollte die Montage durch qualifizierte Techniker durchgeführt werden.
- Der Abstand der Bohrungen für die Montageschrauben sollte ca. 217 mm betragen. Ordnen Sie den Montageort vor Beginn der Arbeit.
- **Wichtige Informationen:** Vor der Montage der Halterung vergewissern Sie sich, dass alle Werkzeuge wie Schraubenzieher, Elektrobohrmaschine, Messlöffel, Bleistift (nicht mitgeliefert) verfügbar sind.
- Die Halterung ist an die Wand mit Hilfe von zwei Befestigungsschrauben mit den Dübeln zu befestigen.
- Man muss auch daran denken, dass sich im Montagebereich auch solche Elemente, wie Kanäle, elektrische Leitungen und Rohre, befinden können. Während der Montage muss man besonders vorsichtig sein.



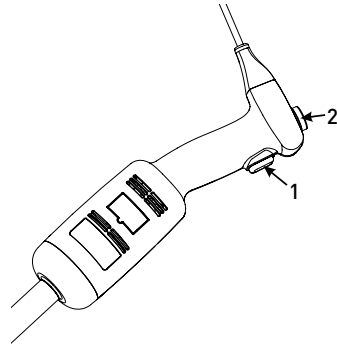
Gebrauchsanweisung (Modell 222140):

ACHTUNG! Bevor das Gerät an die Stromversorgungsquelle angeschlossen wird, muss man überprüfen, ob die Spezifikation des Gerätes auf dem Typenschild den Parametern in der Steckdose entspricht, an die das vorliegende Gerät anzuschließen ist.

ACHTUNG! Das Modell 222140 ist nicht mit den Sperrfunktionen für den Dauerbetrieb ausgestattet.

BEDIENUNG DES GERÄTS:

1. Überzeugen Sie sich, ob das Gerät nicht an die Stromversorgung vor Montage der Teile angeschlossen ist.
2. Schließen Sie den Mixstab / Schneebesen an das Gehäuse an.
3. Überprüfen Sie, ob die Taste Ein/Aus ausgeschaltet ist (in flacher Stellung).
4. Schließen Sie das Gerät an die Stromversorgung an.
5. Schalten Sie dann die Taste Ein/Aus. Das Gerät wird in Betrieb genommen. SEIEN SIE VORSICHTIG!
6. Um das Gerät anzuhalten, muss man die Taste EIN/AUS freigeben.



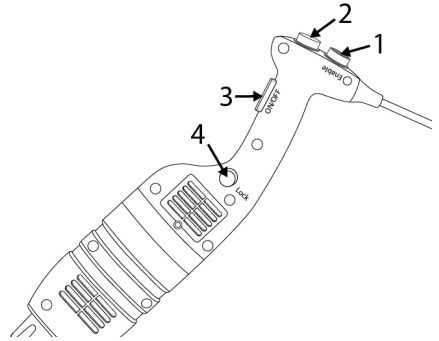
Gebrauchsanweisung (modelle: 221884, 221891 und 222393)

ACHTUNG! Bevor das Gerät an die Stromversorgungsquelle angeschlossen wird, muss man überprüfen, ob die Spezifikation des Gerätes auf dem Typenschild den Parametern in der Steckdose entspricht, an die das vorliegende Gerät anzuschließen ist.

ACHTUNG: Die Modelle 221884 und 221891 sind nicht mit den Sperrfunktionen für den Dauerbetrieb ausgestattet.

INBETRIEBNAHME UND ANHALTEN DES GERÄTS

1. Überzeugen Sie sich, ob das Gerät nicht an die Stromversorgung vor Montage angeschlossen ist.
2. Schließen Sie den Mixstab / Schneebeesen an das Gehäuse an.
3. Überprüfen Sie, ob die Taste Ein/Aus (3) ausgeschaltet ist (in flacher Stellung).
4. Schließen Sie das Gerät an die Stromversorgung an.
5. Schalten Sie zuerst die Sicherheitstaste (1) ein und drücken Sie sie.
6. Schalten Sie dann die Taste Ein/Aus (3) und drücken Sie sie mit der Sicherheitstaste. Das Gerät wird in Betrieb genommen. SEIEN SIE VORSICHTIG!
7. Lassen Sie die Sicherheitstaste (1) los, das Gerät bleibt in Betrieb.
8. Um das Gerät anzuhalten, muss man die Taste Ein/Aus (3).



DE

DAUERBETRIEB:

Die Schritte 1-7 wie oben ausführen, danach:

- EIN/AUS-Taste (3) gedrückt halten. Drücken Sie die Verriegelungstaste (4) einmal.
 - Lassen Sie die EIN/AUS-Taste (3) los, und das Gerät läuft im Dauerbetrieb weiter.
- Um das Gerät auszuschalten, muss man die Taste Ein/Aus (3) drücken und freigeben.

Variable geschwindigkeit (modelle: 222140, 221884, 221891 und 222393)

Die Schritte 1-7 wie oben ausführen, danach:

- Ändern Sie die Geschwindigkeit des Motors, indem Sie das Einstellrad für die Geschwindigkeit (2) in die Richtung der maximalen oder minimalen Geschwindigkeit verdrehen. **Wenn der Schneebeesen verwendet wird, ist zu empfehlen, dass das Gerät mit einer niedrigen Geschwindigkeit in Betrieb genommen wird.** Aufgrund des automatischen Systems der Geschwindigkeitsregelung, bleibt die gewählte Geschwindigkeit konstant, und das sogar in dem Fall, wenn sich die Konsistenz der gemischten Zutaten verändert.



ACHTUNG:

Funktion des Mixers: Um eine bessere Kontrolle zu gewährleisten, empfehlen wir das Festhalten des Mixers am Haltegriff und am unteren Teil des Motorgehäuses. Ebenso empfehlen wir, den Mixer leicht zu kippen, so dass das Ende des Mixstabes den Boden des Gefäßes nicht berührt. Es ist immer zu prüfen, ob der Mixstab entsprechend tief genug eingetaucht ist, um Spritzer und das Eindringen der Flüssigkeit in die Lüftungsöffnungen der Motoreinheit zu verhindern. Für eine optimale Leistung sollte man zwei Drittel des Mixstabes in das Gemisch eintauchen.

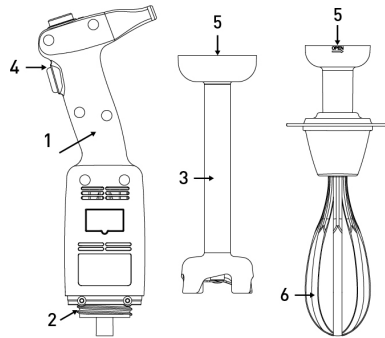
Funktion des Schlagens: Man kann das Gerät auch mit einer Hand halten und mit der anderen, falls notwendig, die Schüssel festhalten. Während des Schlagens verschiebt man den Schneebesen in der Schüssel herum, um eine einheitlich geschlagene Masse zu erhalten. Dabei muss man darauf achten, dass der Schneebesen die Wände der Schüssel nicht berührt. Für eine maximale Leistung muss man mindestens ein Fünftel der Stablänge eintauchen. Der Haltegriff darf nicht eingetaucht werden.

Montage / Demontage

Die Montage/Demontage eines Teiles des Gerätes muss man dann durchführen, wenn das Gerät ausgeschaltet und von der Stromversorgungsquelle getrennt ist.

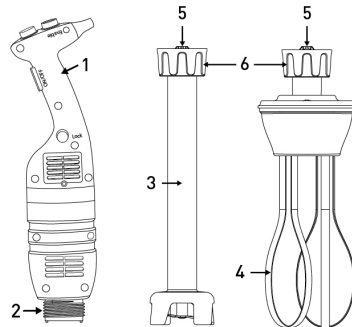
Montage: Modell 222140:

1. Das Verbindungsstück (5) des Mixstabes (3) oder des Schneebesens (6) in das Verbindungsstück (2) vom Gehäuse des Gerätes (1) anpassen und stecken.
2. Den Mixstab (3) oder Schneebesen (6) an das Gehäuse (1) genau andrehen.



Montage: Modelle 221884, 221891 und 222393:

1. Das Verbindungsstück (5) des Mixstabes (3) oder des Schneebesens (4) in das Verbindungsstück (2) vom Gehäuse des Gerätes (1) anpassen und stecken. Überzeugen Sie sich, dass die schmalere Seite des Verbinders des Gerätes an die konkave Seite des Verbindungsstückes des Mixstabes (3) oder des Schneebesens (4) angepasst ist.
2. Die Mutter (6) genau an das Gehäuse (1) schrauben.



Um das Zubehör zu demontieren, muss man die obigen Tätigkeiten in umgekehrter Reihenfolge ausführen.



Waschanleitung

Vor dem Waschen muss man das Gerät von der Stromversorgung trennen.

- Nach dem Gebrauch des Mixers in einer heißen Mischung waschen; vor Abnahme des Endstücks vom Mixstab muss man ihn im kalten Wasser abkühlen. Nach Beendigung der Arbeit ist der Mixstab sofort zu waschen, um ein Ankleben der Mischungsreste zu vermeiden.
- Weder der Motor noch der Haltegriff dürfen in das Wasser getaucht werden, sie sind mit einem feuchten Lappen oder Schwamm zu reinigen.
- Das Reinigen des Mixstabes und des Endstückes: den Stab und das jeweilige Endstück in ein entsprechendes Gefäß legen, das mit sauberem Wasser gefüllt ist und das Gerät für einige Sekunden einschalten.

- **WARNUNG:** Nach dem Waschen sind die Schneiden genau zu trocknen, damit keine Rostflecke entstehen.
- Die Halterung des Schneebesens darf niemals in das Wasser getaucht werden; sie ist mit einem feuchten Lappen oder Schwamm zu reinigen.
- Nach jedem Gebrauch muss man das Gerät mit einem Reinigungs- oder Desinfektionsmittel reinigen, dabei darf jedoch niemals ein reines Bleichmittel verwendet werden. Zum Reinigen der Kunststoffteile dürfen keine alkalischen Reinigungsmittel benutzt werden.

Problemlösung

Bei einer Unterbrechung der Stromversorgung oder Abschalten des Gerätes, muss man die Taste EIN/AUS (3) freigeben, die Stromversorgung überprüfen und das Gerät erneut starten.

Wenn sich das Gerät im Ergebnis einer Überhitzung ausschaltet, ist die Taste EIN/AUS (3) freizugeben, das Gerät von der Stromversorgung zu trennen, einige Minuten abzuwarten, bis der Motor sich abgekühlt hat und die Sicherung vor dem Überhitzen zurückgesetzt wird; erst dann ist das Gerät wieder in Betrieb zu nehmen.

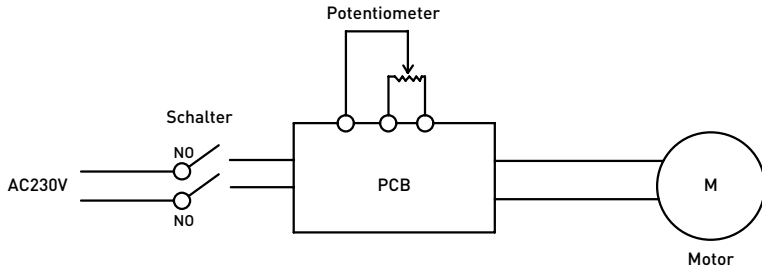
Wenn man die Ursache für das Problem nicht feststellen kann: die Taste EIN/AUS (CB) freigeben, das Gerät von der Stromversorgung trennen und das Folgende überprüfen:

1. Stecker,
2. Können sich die Schneiden im Endstück freidrehen?
3. Zustand des Stromkabels,
4. Kann sich die Antriebswelle freidrehen? Zu diesem Zweck muss man das Endstück abnehmen und manuell prüfen, ob sich das Endstück der Welle dreht.

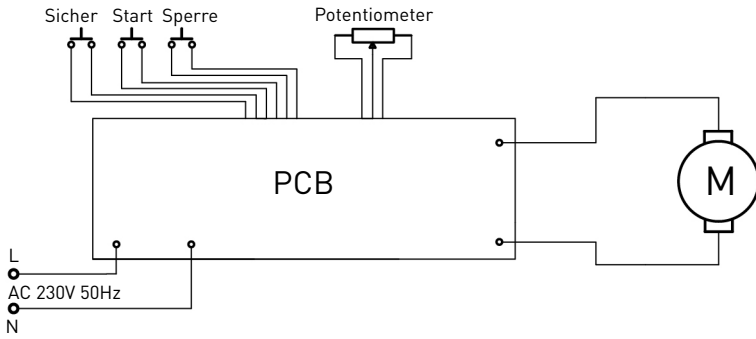
Beim Auftreten einer Störung, die nicht in dieser Anweisung beschrieben ist, muss man sich mit dem Verkäufer in Verbindung setzen oder das Gerät an einen autorisierten Servicedienst übergeben.

Elektroschema

Modell 222140



Modell 221884, 221891 und 222393

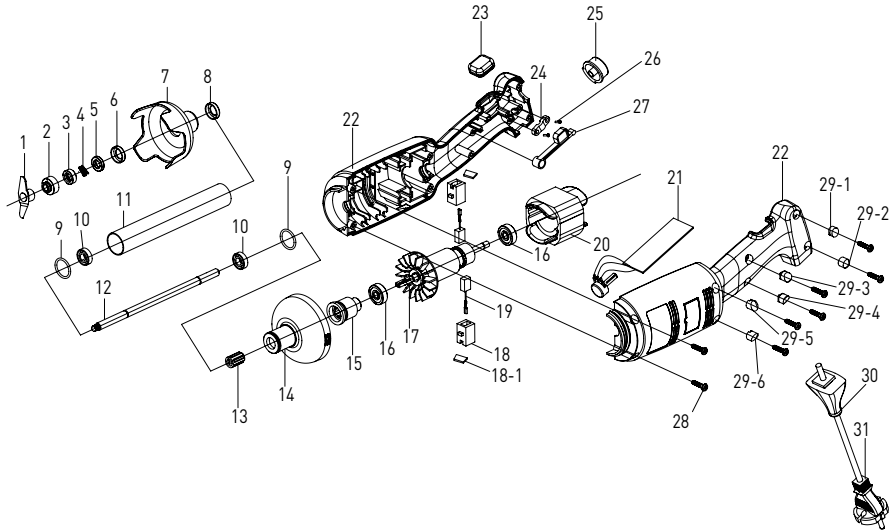


DE



Explosionszeichnung und teilverzeichnis des modells 222140

Modell 222140

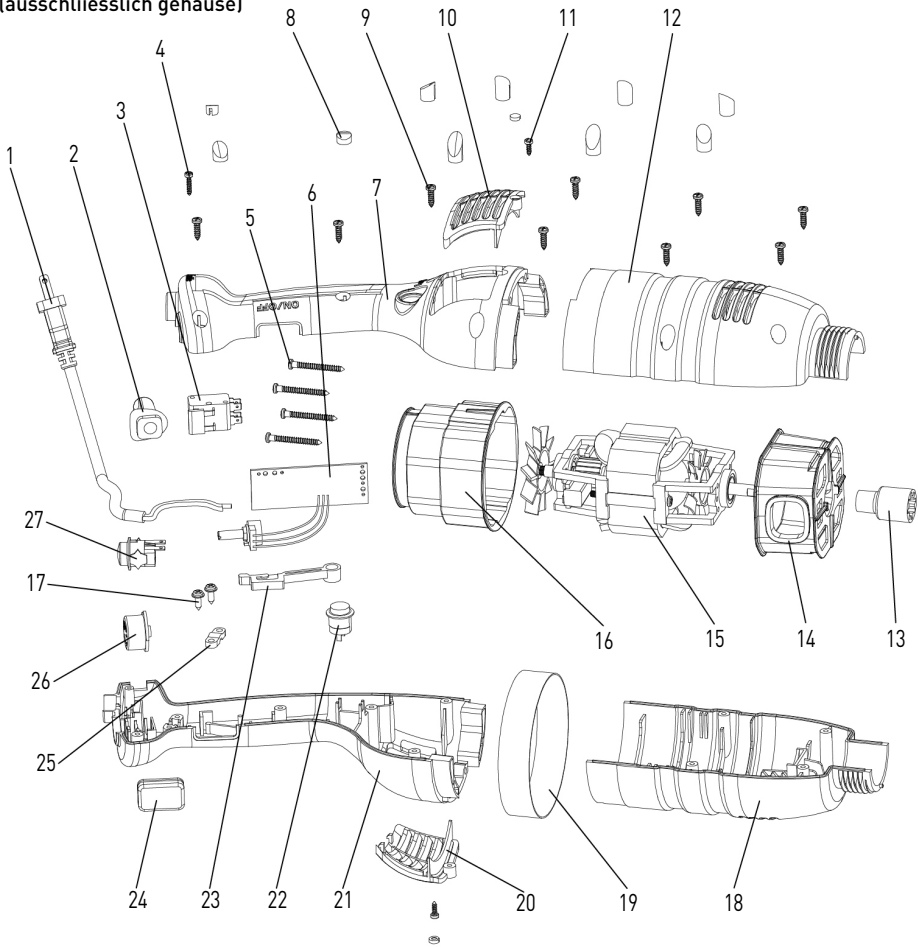


Teilverzeichnis - modell 222140 gehäuse und mixstab

DE

Nr.	Bezeichnung des Teiles	Nr.	Bezeichnung des Teiles	Nr.	Bezeichnung des Teiles
1	Messer	14	Kunststoffgehäuse des Kopfstückes	26	Pressing board screw
2	Konkavring	15	Keilhülse	27	Switch osculant staff
3	Graphitringfeder	16	Lager	28	Housing screw
4	Graphitring	17	Rotor	29-1	Screw plunger 28-1
5	Keramikring	18	Halterung für die Bürste	29-2	Screw plunger 28-2
6	Keramikringhülse	18-1	Abdeckung der Bürste	29-3	Screw plunger 28-3
7	Messerabdeckung	19	Bürste	29-4	Screw plunger 28-4
8	Lagerhülse	20	Stator	29-5	Screw plunger 28-5
9	Dichtungsring	21	Platte der Geschwindigkeitssteuerung	29-6	Screw plunger 28-6
10	Lager W688Z	22	Gehäuse links und rechts	30	Cable sheath
11	Hülse aus Edelstahl	23	Gummisicherung vor dem Blockieren	31	Power cord
12	Ausgabhülse	24	Andrückleiste		
13	Zapfen	25	Taste der Geschwindigkeitssteuerung		

**Explosionszeichnung und teilverzeichnis der modelle 221884, 221891 und 222393
(ausschliesslich gehäuse)**



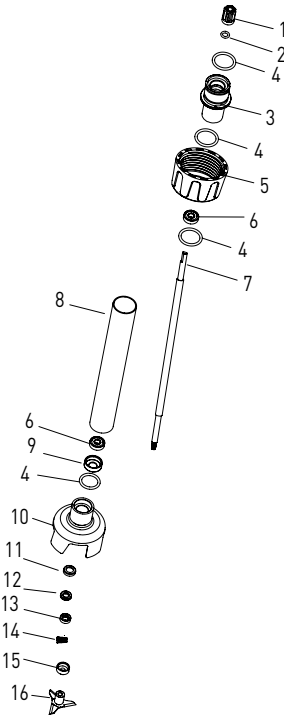
DE

Teilverzeichnis der modelle 221884, 221891 und 222393 (ausschliesslich gehäuse)

Nr.	Bezeichnung des Teiles	Nr.	Bezeichnung des Teiles	Nr.	Bezeichnung des Teiles
1	Stromkabel	10	Abdeckung des Luftauslasses	19	Ring
2	Kabelbinder	11	Schraube der Andrückeiste	20	Abdeckung des Luftauslasses
3	Schalter	12	Gehäuse 2	21	Gehäuse 4
4	Schraube der Andrückeiste	13	Keilhülse	22	Blockadetaste
5	Schraube der Andrückeiste	14	Untere Motorabdeckung	23	Tangentialer Schaft des Schalters
6	PCB-Bedienfeld	15	Motor	24	Buchse des Schalters
7	Gehäuse 1	16	Motorabdeckung oben	25	Andrückeiste
8	Gewindebolzen	17	Schraube der Andrückeiste	26	Taste der Geschwindigkeitssteuerung
9	Schraube der Andrückeiste	18	Gehäuse 3	27	Sicherheitstaste



Mixstäbe (optional) für modelle 221884, 221891



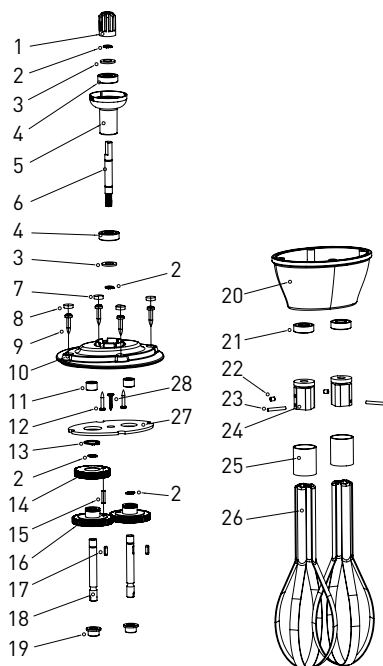
DE

Teilleiste - mixstäbe (optional): 222225, 222232, 222249, 222256

Nr.	Bezeichnung des Teiles	Nr.	Bezeichnung des Teiles	Nr.	Bezeichnung des Teiles
1	Keilhülse	7	Ausgehülse (modellabhängig)	13	Graphitring
2	Dichtungsringes der Keilhülse	8	Hülse aus Edelstahl 304 (modellabhängig)	14	Graphitringfeder
3	Verbindungshülse	9	Lagerhülse	15	Konkavring
4	Dichtungsringes der Verbindungshülse	10	Messerabdeckung	16	Messer
5	Befestigungshülse	11	Keramikringhülse		
6	Lager 608	12	Keramikring		



Schneebeesen (optional) für modelle 222140

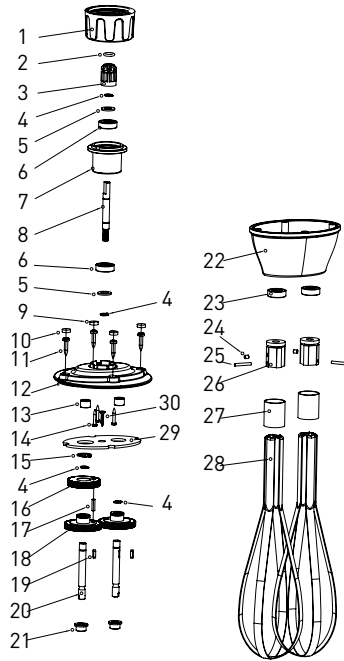


Teileliste - mixstab (optional): modell 222164

Nr.	Bezeichnung des Teiles	Nr.	Bezeichnung des Teiles	Nr.	Bezeichnung des Teiles
1	Keilhülse	11	Nadellager	21	Öldichtung
2	Federring Ø8	12	Schraube	22	Schraube M4x5
3	Dichtung des Lagers	13	Federring Ø16	23	Zylinderstift
4	Lager	14	Lager des Spiralgetriebes	24	Befestigungsleiste
5	Verbindungshülse	15	Zylinderstift	25	Stahlring
6	Lager des Spiralgetriebes	16	Einfaches Getriebe	26	Stahlstab
7	Gewindebolzen 2	17	Taste	27	Prallplatte
8	Gewindebolzen 1	18	Ausgabelöse	28	Schraube
9	Schraube des Gehäuses	19	Stabhülse		
10	Obere Abdeckung	20	Untere Abdeckung		



Schneebeesen (optional) für modelle 221884, 221891



DE

Teileliste - mixstab (optional): modell 222263

Nr.	Bezeichnung des Teiles	Nr.	Bezeichnung des Teiles	Nr.	Bezeichnung des Teiles
1	Befestigungshülse	11	Schraube des Gehäuses	21	Stabhülse
2	Dichtungsringes der Keilhülse	12	Obere Abdeckung	22	Untere Abdeckung
3	Keilhülse	13	Nadellager	23	Öldichtung
4	Federring Ø8	14	Schraube	24	Schraube M4x5
5	Öldichtung	15	Federring Ø16	25	Zylinderstift
6	Lager	16	Lager des Spiralgetriebes	26	Befestigungsleiste
7	Verbindungshülse	17	Zylinderstift	27	Stahlring
8	Lager des Spiralgetriebes	18	Einfaches Getriebe	28	Stahlstab
9	Gewindebolzen 2	19	Taste	29	Prallplatte
10	Gewindebolzen 1	20	Ausgabehülse	30	Schraube



Garantie

Alle innerhalb von einem Jahr nach dem Kaufdatum festgestellten Defekte oder Mängel, die die Funktionalität des Gerätes beeinträchtigen, werden auf dem Wege der unentgeltlichen Reparatur bzw. des Austausches unter der Voraussetzung beseitigt, dass das Gerät in einer der Bedienungsanleitung gemäßen Art und Weise betrieben und gewartet wird und weder vorsätzlich vernichtet noch nicht bestimmungsgemäß genutzt wurde. Ihre Rechte aus den entsprechenden Gesetzen

bleiben davon unberührt. Eine in der Garantiefrist einzureichende Beanstandung hat die Angabe des Kaufortes und Kaufdatums und in der Anlage einen Kaufbeleg (z.B. Kassenzettel) zu enthalten.

Gemäß unserer Politik der ständigen Weiterentwicklung unserer Produkte behalten wir uns vor, Änderungen am Produkt, an seiner Verpackung und an den dokumentierten technischen Daten ohne vorherige Ankündigung vorzunehmen.

Entsorgung und Umweltschutz

Wird das Gerät außer Betrieb genommen, darf es nicht über den Hausmüll entsorgt werden. Der Benutzer ist für die Übergabe des Gerätes an eine geeignete Sammelstelle für Altgeräte verantwortlich. Die Nichteinhaltung dieser Regel kann gemäß den geltenden Vorschriften über die Abfallentsorgung bestraft werden. Die getrennte Sammlung und das Recycling der Altgeräte trägt zur Schonung der natürlichen Ressourcen bei und sorgt für eine

umwelt- und gesundheitsschonende Verwertungsweise.


Weitere Informationen darüber, wo Sie Ihre Altgeräte entsorgen können, erhalten Sie bei Ihrem örtlichen Entsorgungsunternehmen. Der Hersteller und der Importeur übernehmen keine Verantwortung für das Recycling sowie die umweltfreundliche Verwertung von Abfällen, weder direkt noch über ein öffentliches System.



Geachte klant,

Bedankt voor de aanschaf van dit Hendi apparaat. Lees deze handleiding zorgvuldig door, met bijzondere aandacht voor de onderstaande veiligheidsvoorschriften, voordat u dit apparaat voor de eerste keer installeert en gebruikt.

Veiligheidsvoorschriften

- Dit apparaat is enkel bedoeld voor commercieel gebruik.
- Gebruik het apparaat alleen voor het beoogde doel waarvoor het is ontworpen, zoals beschreven in deze handleiding.
- De fabrikant is niet aansprakelijk voor enige schade veroorzaakt door onjuist gebruik en onjuist gebruik.
- Houd het apparaat en de stekker uit de buurt van water en andere vloeistoffen. Als het apparaat in water valt, haal dan onmiddellijk de stekker uit het stopcontact. Gebruik het apparaat niet totdat het is gecontroleerd door een gecertificeerde technicus. Het niet volgen van deze instructies zal levensbedreigende risico's veroorzaken.
- Probeer nooit de behuizing van het apparaat zelf te openen.
- Plaats geen objecten in de behuizing van het apparaat.
- Raak de stekker niet aan met natte of vochtige handen.
-  **GEVAAR VOOR EEN ELEKTRISCHE SCHOK!** Probeer het apparaat niet zelf te repareren, reparaties mogen alleen worden uitgevoerd door gekwalificeerd personeel.
- **Gebruik nooit een beschadigd apparaat!** Wanneer het apparaat beschadigd is, koppelt u het apparaat los van het stopcontact en neemt u contact op met de detailhandelaar.
- **WAARSCHUWING!** Dompel de elektrische onderdelen van het apparaat niet onder in water of andere vloeistoffen.
- Houd het apparaat nooit onder stromend water.
- Controleer regelmatig de stekker en het snoer op eventuele schade. Bij beschadiging moet het worden vervangen door een serviceagent of een gelijkwaardig gekwalificeerd persoon om gevaar of letsel te voorkomen.
- Zorg ervoor dat het snoer niet in contact komt met scherpe of hete voorwerpen en houd het uit de buurt van open vuur. Trek nooit aan het netsnoer om het uit het stopcontact te halen, trek altijd aan de stekker.
- Zorg ervoor dat het netsnoer en/of het verlengsnoer geen struikelgevaar veroorzaken.
- Laat het apparaat nooit onbeheerd achter tijdens het gebruik.
- **WAARSCHUWING!** Zolang de stekker in het stopcontact zit, is het apparaat aangesloten op de stroombron.
- Schakel het toestel uit voordat u het uit het stopcontact haalt.
- Sluit de stekker aan op een gemakkelijk toegankelijk stopcontact, zodat het apparaat in geval van nood onmiddellijk kan worden losgekoppeld.
- Draag het apparaat nooit bij het snoer.
- Gebruik geen extra apparaten die niet samen met het apparaat worden geleverd.
- Sluit het apparaat alleen aan op een stopcontact met de spanning en frequentie vermeld op

het etiket van het apparaat.

- Gebruik nooit andere accessoires dan die welke door de fabrikant worden aanbevolen. Als u dit niet doet, kan dit een veiligheidsrisico vormen voor de gebruiker en kan het apparaat beschadigen. Gebruik alleen originele onderdelen en accessoires.
- Dit apparaat mag niet worden gebruikt door personen met verminderde fysieke, zintuiglijke of mentale vermogens, of personen met een gebrek aan ervaring en kennis.
- Dit apparaat mag in geen geval door kinderen worden gebruikt.
- Houd het apparaat en het netsnoer buiten het bereik van kinderen.
- **WAARSCHUWING:** schakel het apparaat **ALTIJD** uit en haal de stekker uit het stopcontact voor reiniging, onderhoud of opslag.

Bijzondere veiligheidsvoorschriften

- Gebruik het apparaat alleen zoals beschreven in deze handleiding. Alleen binnenshuis te gebruiken.
- Dit apparaat moet worden bediend door getraind personeel.
- Koppel het apparaat altijd los van het lichtnet als het onbeheerd wordt achtergelaten en voordat het apparaat wordt gemonteerd, gedemonteerd of gereinigd.
- Zorg ervoor dat het mes nooit in de richting van personen wijst tijdens het gebruik van het apparaat.
- Raak het mes en de bewegende onderdelen niet aan. Houd vingers, haar, kleding en keukengerei uit de buurt van alle bewegende onderdelen.
- Droog het apparaat en alle accessoires af voordat u de stekker in het stopcontact steekt en voordat u de accessoires bevestigt.
- **GEVAAR VOOR HANDBLESSURES!** Wees zeer voorzichtig met het mes, omdat het erg scherp is.
- Voeg nooit ingrediënten toe aan de container terwijl het apparaat in werking is.
- **WAARSCHUWING!** Haal de stekker onmiddellijk na gebruik uit het stopcontact, voordat u accessoires verwijdert of vervangt.
- Dit product is een handapparaat dat is ontworpen voor het verwerken van voedingsmiddelen in een container.
- Alle onderhouds-, installatie- en reparatiewerkzaamheden moeten worden uitgevoerd door gespecialiseerde en getrainde technici.
- **WAARSCHUWING:** Houd uw handen en keukengerei tijdens gebruik uit de container om het risico op ernstig lichamelijk letsel en / of schade aan de blender te beperken.
- Gebruik het apparaat niet continu om oververhitting van de motor te voorkomen. U mag het apparaat niet langer dan 3 minuten continu gebruiken. Laat het apparaat afkoelen en gebruik het daarna opnieuw.
- Was het apparaat niet met water of een waterstraal. Wassen met water kan lekkage veroorzaken en het risico op elektrische schokken verhogen. Geen van de onderdelen zijn vaatwasmachinebestendig.
- Zorg ervoor dat het netsnoer zodanig is geplaatst, dat er niet per ongeluk aan kan worden getrokken of over kan worden gestruikeld.



- Niet reinigen of opbergen tenzij het apparaat volledig is afgekoeld.
-  Dit apparaat is geclassificeerd als beschermingsklasse II.

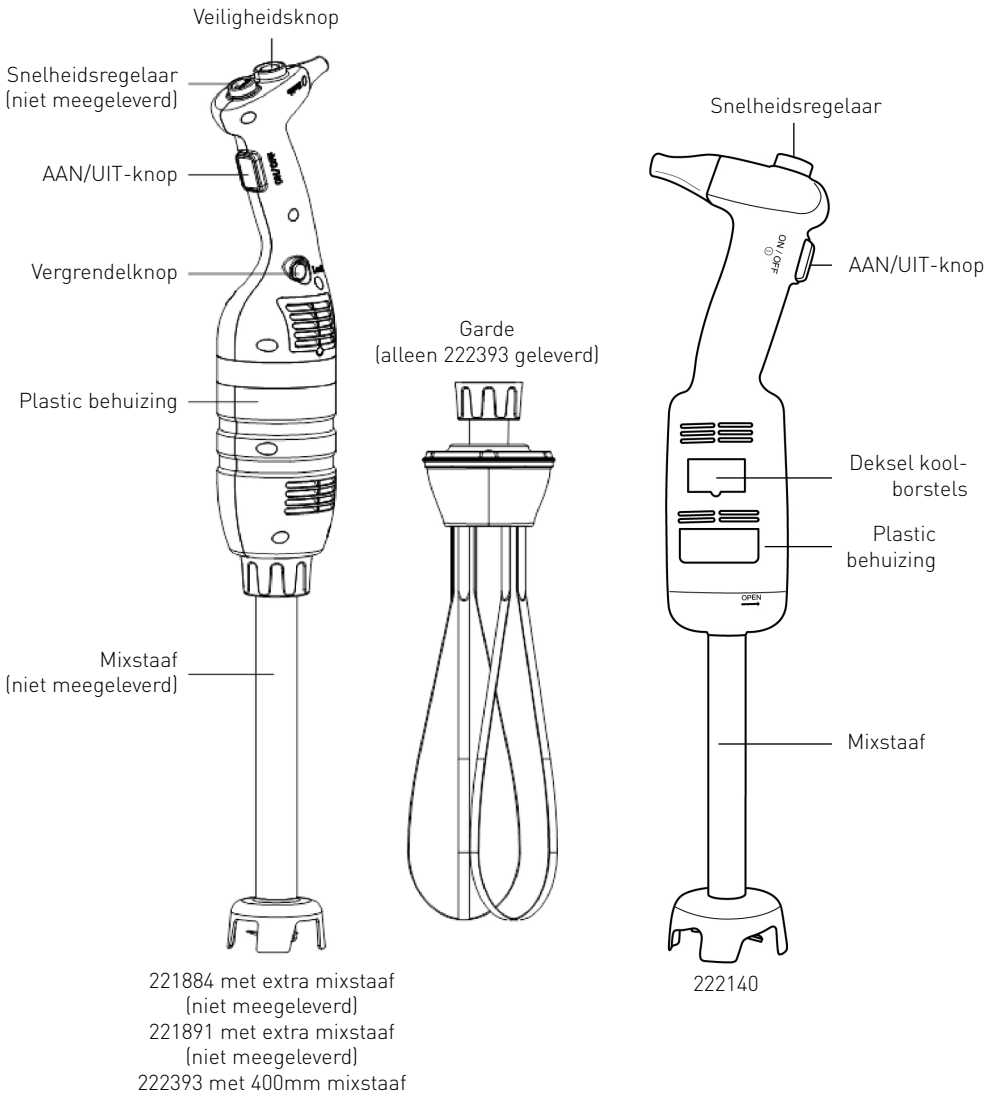
Lees de onderstaande veiligheids waarschuwingen aandachtig door om de wandbeugel van artikel 222393 aan de wand te monteren:

- Omwille van veiligheidsredenen moet de installatie worden uitgevoerd door een erkend technicus.
- Controleer voorafgaand aan de installatie of de wand het gewicht van het apparaat & de accessoires veilig kan dragen.
- Zorg ervoor dat er geen elektrische draden, water-, gas- of andere leidingen zitten rond de plaats van installatie.
- Raadpleeg een erkend aannemer of installateur voor hulp als u twijfelt over de wandconstructie.
- Draai de schroeven stevig vast, maar niet te vast. Het te stevig aandraaien kan de schroeven beschadigen en de bevestigingskracht van schroeven reduceren.
- Houd huisdieren en kinderen uit de buurt tijdens de installatie.
- **WAARSCHUWING!** Plaats uitsluitend het apparaat op de beugel om overbelasting van de beugel te voorkomen.

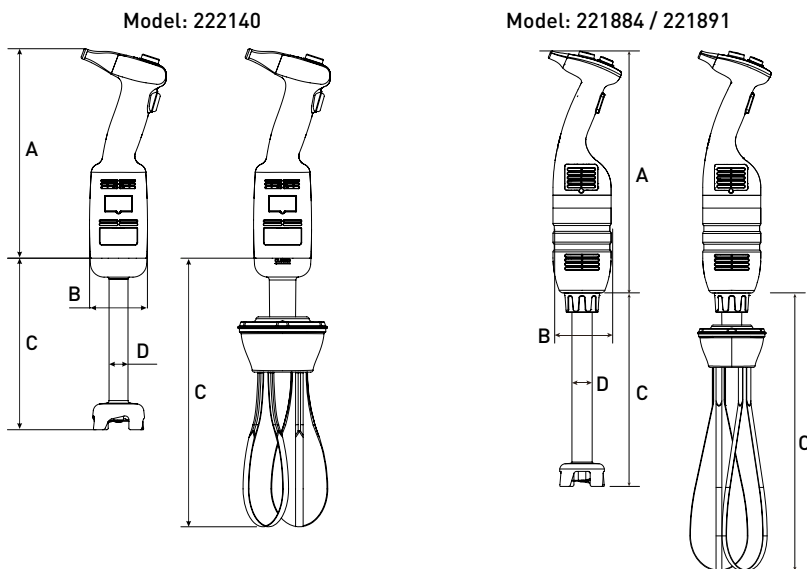
Bedoeld gebruik

- Het apparaat is bestemd voor professioneel gebruik.
 - Dit apparaat is uitsluitend bedoeld voor het commercieel pureren, emulgeren en mengen van warme en koude voedingsmiddelen. Het apparaat kan worden gebruikt om direct in de pan soep, puree, crème, marsepein, kaascrème, etc. te berei-
- den. Elk ander gebruik kan leiden tot schade aan het apparaat of lichamelijk letsel.
- Gebruik van het apparaat voor andere doeleinden wordt beschouwd als verkeerd gebruik van het apparaat. De gebruiker is volledig aansprakelijk voor alle risico's die voortvloeien uit verkeerd gebruik van het apparaat.

Productbeschrijving



Belangrijkste technische parameters



Technische specificaties

Model	Voedings- -spanning	Vermogen	Benadering rotatiesnelheid	Benadering gewicht van hoofdapparaat zonder mixstaaf of garde	A (Lengte)	B (Diameter)
222140	230 V/50 Hz	220 W	4,000 ~ 20,000 rpm	1,15 kg	304 mm	Ø 75 mm
221884	230 V/50 Hz	350 W	4,000 ~ 16,000 rpm	2,35 kg	416 mm	Ø 100 mm
221891	230 V/50 Hz	500 W	4,000 ~ 16,000 rpm	2,55 kg	416 mm	Ø 100 mm

Opmerking: Technische specificaties onderhevig aan verandering zonder voorafgaande kennisgeving.

Combinatietabel voor mixstaaf en garde. De onderstaande accessoires worden niet meegeleverd:

Model	Gewicht ca.	C (Lengte)	D (Diameter)	Omschrijving
222164	0,81 kg	185 mm	-	Garde voor 222140 (optioneel)
-	0,52 kg	160 mm	Ø 28 mm	Mixstaaf voor 222140 (meegeleverd)
222263	0,86 kg	250 mm	-	Garde voor model 221884 (optioneel) en 221891 (optioneel)
222225	0,82 kg	250 mm	Ø 35 mm	Mixstaaf voor 221884 (optioneel) en 221891 (optioneel)
222232	1,02 kg	300 mm	Ø 35 mm	
222249	1,28 kg	400 mm	Ø 35 mm	
222256	1,56 kg	500 mm	Ø 35 mm	

Opmerkingen: Set van artikel 222393 = 221884 + 222249 + 222263 + wandbeugel+ installatiesets (2 sets montageschroeven, sluitringen en expansiebouten).

Inleiding

- Lees deze handleiding zorgvuldig door voordat u het apparaat gebruikt. De handleiding bevat belangrijke instructies voor uw veiligheid alsmede bedienings- en onderhoudsinstructies voor het apparaat.
- Dit apparaat is bedoeld voor professioneel gebruik in ijslons, restaurants, hotelkeukens voor het bereiden van ijsmixen, groentesoepen, puree, sauzen, vullingen, mayonaise, tomatenpuree, pesto, etc.
- Als u optimaal gebruik wilt maken van de functies van de staafmixer, moet u goed op de hoogte zijn van de prestaties en bediening van het apparaat.
- Onderhoud vereist slechts een aantal simpele handelingen die uitgevoerd mogen worden door de gebruiker.
- Volg de instructies in deze handleiding om een lange gebruiksduur te garanderen en de operationele kosten te reduceren.
- Deze staafmixer is ontworpen om veilige werk-omstandigheden te garanderen.
Het verwijderen van beveiligingen die door de fabrikant zijn aangebracht, zal de gegarandeerde veilige omstandigheden ernstig in gevaar brengen.
- Het installeren van het apparaat en de aansluiting op het lichtnet moet in overeenstemming met de instructies worden uitgevoerd om de veiligheid te garanderen.
- Het apparaat moet in een werkomgeving vrij van bijtende stoffen worden geïnstalleerd.
- Installeer het apparaat in een omgeving zonder potentieel explosiegevaar.
- Gebruik alleen de meegeleverde reserveonderdelen.
- Deze handleiding is een integraal onderdeel van de staafmixer en moet op een veilige plek worden bewaard. De functies, informatie en tekeningen in deze handleiding zijn exclusief eigendom van de fabrikant.
- De functies van het apparaat maken het mogelijk om de volgende gerechten te bereiden in een minimale hoeveelheid tijd: dikke groentepuree, soepen, aardappelpuree, crèmes, beslagen, degen, mayonaise, amandelpulp, roomkaas, etc.

Vorbereidingen voor wandmontage (alleen voor artikel: 222393)

Vóór installatie: Controleer of de wandbeugel niet is beschadigd & controleer of de installatiesets compleet zijn (2 sets montageschroeven, sluitringen en expansiebouten meegeleverd). Installeer NIET indien er onderdelen ontbreken of beschadigd zijn.

Opmerking:

- Raadpleeg een erkend aannemer of installateur voor hulp als u twijfelt over de wandconstructie en zorg ervoor dat de procedure juist en veilig wordt uitgevoerd.
- Installatiewerkzaamheden moeten omwille van veiligheidsredenen worden uitgevoerd door een erkend technicus.
- De afstand tussen de gaten van de montageschroeven is ongeveer 217mm. Maak de omgeving vrij voordat u begint met het installeren.
- **Belangrijk:** Voordat u start met de installatie moet u ervoor zorgen dat u over alle benodigde gereedschappen beschikt. Denk hierbij bijvoorbeeld aan een schroevendraaier, elektrische boormachine, meetlint en/of markeerpen (al deze gereedschappen zijn niet inbegrepen).
- De beugel moet stevig aan een muur worden verankerd door twee montageschroeven te bevestigen met de expansiebouten er ingestoken.
- Houd er rekening mee dat er waterleidingen, elektrische draden en andere leidingen in of achter de muur kunnen zitten in het werkgebied. Wees voorzichtig tijdens de installatie.



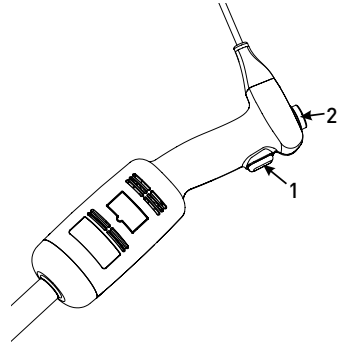
Gebruiksaanwijzing (Model: 222140)

LET OP: Controleer voordat u het apparaat aansluit op het lichtnet of de spanning van het lichtnet overeenkomt met de informatie op het typeplaatje.

OPMERKING: Er is geen vergrendelfunctie voor continu gebruik voor dit model 222140.

HET APPARAAT BEDIENEN:

1. Zorg er vóór de montage voor dat het apparaat is losgekoppeld van het lichtnet.
2. Sluit de mixstaaf/garde aan op het hoofdapparaat.
3. Controleer of de AAN/UIT-knop (1) in de niet geactiveerde (platte) stand staat.
4. Sluit het apparaat aan op het lichtnet.
5. Druk daarna op de AAN/UIT-knop (1). Het apparaat begint nu in te schakelen. **WEES VOORZICHTIG!**
6. Schakel het apparaat uit door de AAN/UIT-knop (1) los te laten.



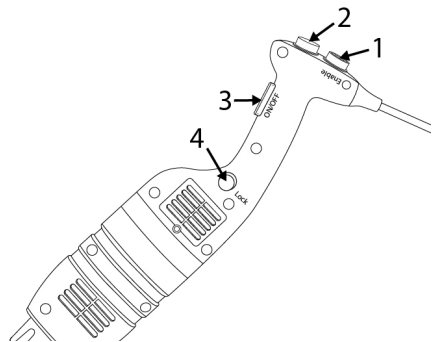
Gebruiksaanwijzing (Model: 221884, 221891, 222393):

LET OP: Controleer voordat u het apparaat aansluit op het lichtnet of de spanning van het lichtnet overeenkomt met de informatie op het typeplaatje.

OPMERKING: Er is een vergrendelfunctie voor continu gebruik voor de modellen 221884 & 221891.

HET APPARAAT STARTEN EN STOPPEN

1. Zorg er vóór de montage voor dat het apparaat is losgekoppeld van het lichtnet.
2. Sluit de mixstaaf/garde aan op het hoofdapparaat.
3. Controleer of de AAN/UIT-knop (3) in de niet geactiveerde (platte) stand staat.
4. Sluit het apparaat aan op het lichtnet.
5. Houd eerst de veiligheidsknop (1) ingedrukt.
6. Druk daarna tegelijkertijd op de AAN/UIT-knop (3). Het apparaat begint nu in te schakelen. **WEES VOORZICHTIG!**
7. Laat de veiligheidsknop (1) los, het apparaat blijft werken.
8. Stop het apparaat door de AAN/UIT-knop (3) los te laten.



HET APPARAAT CONTINU GEBRUIKEN:

Volg de stappen 1 tot 7 hierboven en volg daarna de onderstaande stappen:

- Met de AAN / UIT-knop (3) in de "ingedrukte" positie, druk eenmaal op de vergrendelknop (4).
- U kunt het apparaat uitschakelen door de AAN/UIT-knop (3) in te drukken en weer los te laten.

Bediening met variabele snelheid (model: 222140, 221884, 221891, 222393)

Volg de stappen 1 tot 7 hierboven, daarna:

- Verander de snelheid van de motor door de snelheidsregelaar [2] in de richting van de maximum- of minimumsnelheid te draaien. **Het wordt aanbevolen het apparaat op lage snelheid te starten**

OPMERKING:

Gebruik met mixstaaf: Voor betere controle, raden we aan de blender vast te houden bij het handvat en de onderkant van de motoreenheid. Verder raden we aan de blender onder een kleine hoek te kantelen om te voorkomen dat het mixelement van de staaf in contact komt met de onderkant van de container. Zorg er altijd voor dat het mixelement

Gebruik met garde: U kunt het apparaat met één hand vasthouden bij het handvat, zodat uw andere hand vrij is om de kom, indien nodig, vast te houden. Tijdens het bereidingsproces raden we aan de garde rond te bewegen door de kom om ervoor te zorgen dat het mengsel volledig homogeen is. We

wanneer u gebruik maakt van de garde. Met het zelfregulerende snelheidssysteem zal de gekozen snelheid constant blijven, zelfs als de consistentie van uw mengsel verandert.

van de staaf voldoende is ondergedompeld om het opsplitsen van voedsel te voorkomen en ervoor te zorgen dat de ventilatieopeningen van de motoreenheid niet in contact komen met vloeistoffen. Voor een optimaal rendement moet twee derde van de staaf worden ondergedompeld tijdens het bereiden van voedsel.

raden u sterk aan om ervoor te zorgen dat de garde niet in contact komt met de zijkanten van de kom. Voor een optimaal rendement moet minimaal een vijfde van de lengte van de garde worden ondergedompeld. Dompel de gardehouder echter nooit volledig onder tijdens het bereiden van voedsel.

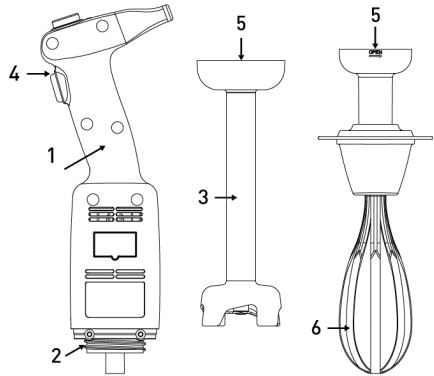


Montage / Demontage van hulpstukken

De montage-/demontagehandelingen van elk onderdeel van het apparaat mogen alleen worden uitgevoerd als het apparaat is gestopt en losgekoppeld van het lichtnet.

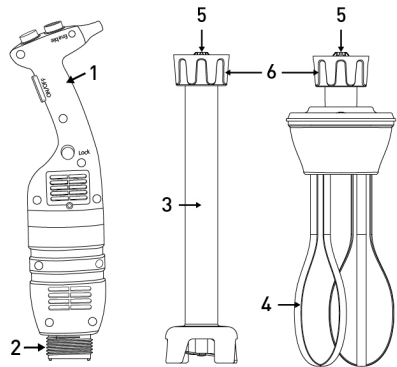
Montage van model 222140:

1. Steek de koppeling (5) van de mixstaaf (3) of garde (6) in de koppeling (2) op het hoofdapparaat (1).
2. Schroef de mixstaaf (3) of garde (6) omhoog om deze stevig te vast te zetten in het hoofdapparaat (1).



Montage van model 221884, 221891, 222393:

1. Steek de koppeling (5) van de staaf (3) of garde (4) in de koppeling (2) op het hoofdapparaat (1). Zorg ervoor dat de kleinere kant van de koppeling op het apparaat in de holle kant van de koppeling van de mixstaaf (3) of garde (4) past.
2. Schroef de moer (6) vast om ze stevig vast te zetten in het hoofdapparaat (1).



Volg de bovenstaande montageschappen in omgekeerde volgorde om de onderdelen te demonteren.

REINIGINGSINSTRUCTIES

De stekker van het apparaat moet altijd uit het stopcontact worden gehaald voordat u het apparaat reinigt.

- Als u de staafmixer heeft gebruikt in een warm mengsel, koel de mixstaaf dan in koud water voordat u het mixelement demonteert. Reinig de staaf onmiddellijk na gebruik om te voorkomen dat het mengsel vastkleeft op de staaf.
- Dompel de motoreenheid of de handgreep nooit onder in water; reinig met een vochtige doek of spons.
- Het reinigen van de mixstaaf en het mixelement: Plaats de mixstaaf en het mixelement in een ge-

schikte container met schoon water en schakel het apparaat enkele seconden in.

- **WAARSCHUWING:** Droog de messen altijd grondig na het reinigen om roest en vlekvorming te voorkomen.
- Dompel de gardehouder nooit onder in water; reinigen het met een licht bevochtigde doek of spons.
- Reinig het apparaat na gebruik met een reinigings- of ontsmettingsmiddel. Gebruik geen onverdund bleekmiddel. Gebruik bij het reinigen van de plastic onderdelen nooit alkalische reinigingsmiddelen.



Problemen oplossen

In het geval van een stroomstoring of als de stekker van het apparaat uit het stopcontact wordt getrokken, moet u de AAN/UIT-knop (3) loslaten en de voedingsbron controleren. Start het apparaat daarna opnieuw.

Als het apparaat door oververhitting is uitgeschakeld, laat de AAN/UIT-knop (3) dan los en haal de stekker uit het stopcontact. Wacht een paar minuten om de motor af te laten koelen en ervoor te zorgen dat het thermische beveiligingsmechanisme kan resetten, start het apparaat daarna opnieuw.

Als u de oorzaak van het probleem niet kunt vinden: laat de AAN/UIT-knop (3) los, haal de stekker

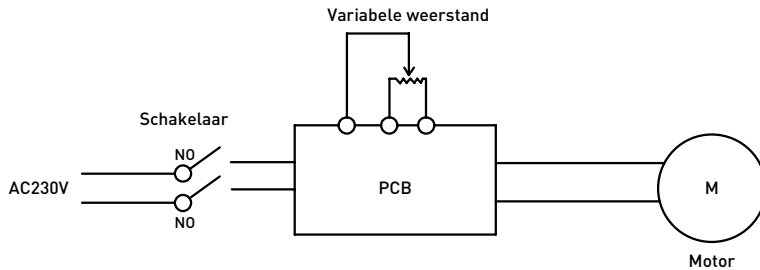
uit het stopcontact en controleer de onderstaande zaken:

1. de stekker
2. controleer of de messen vrij kunnen roteren in het mixelement,
3. de staat van het netsnoer,
4. controleer of de aandrijfas vrij kan roteren. Dit kunt u doen door het mixelement te verwijderen en de rotatie van het uiteinde van de aandrijfas handmatig te testen.

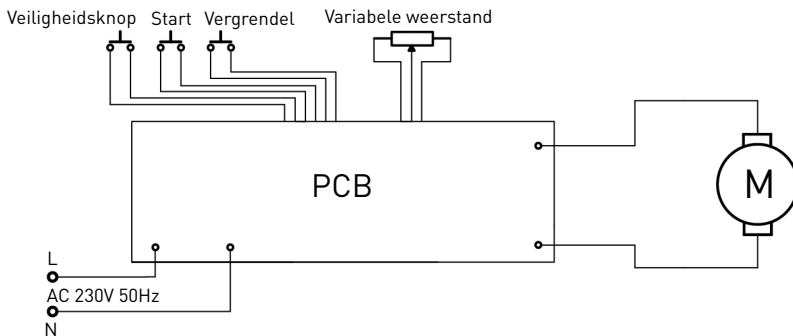
Als er een storing optreedt die niet in deze handleiding voorkomt, raadpleeg dan uw dealer of breng het apparaat terug naar de klantenservice.

Elektrisch schema

Model 222140

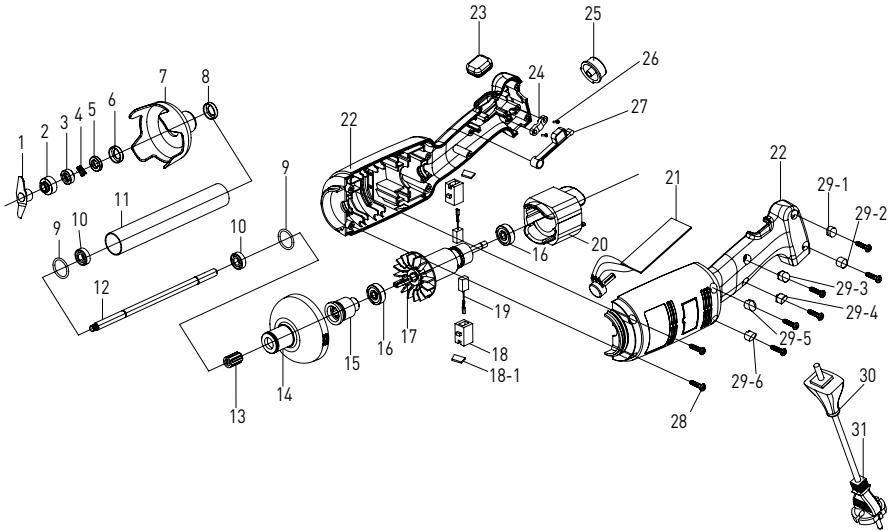


Model 221884, 221891, 222393



Explosietekening & onderdelenlijst voor model 222140

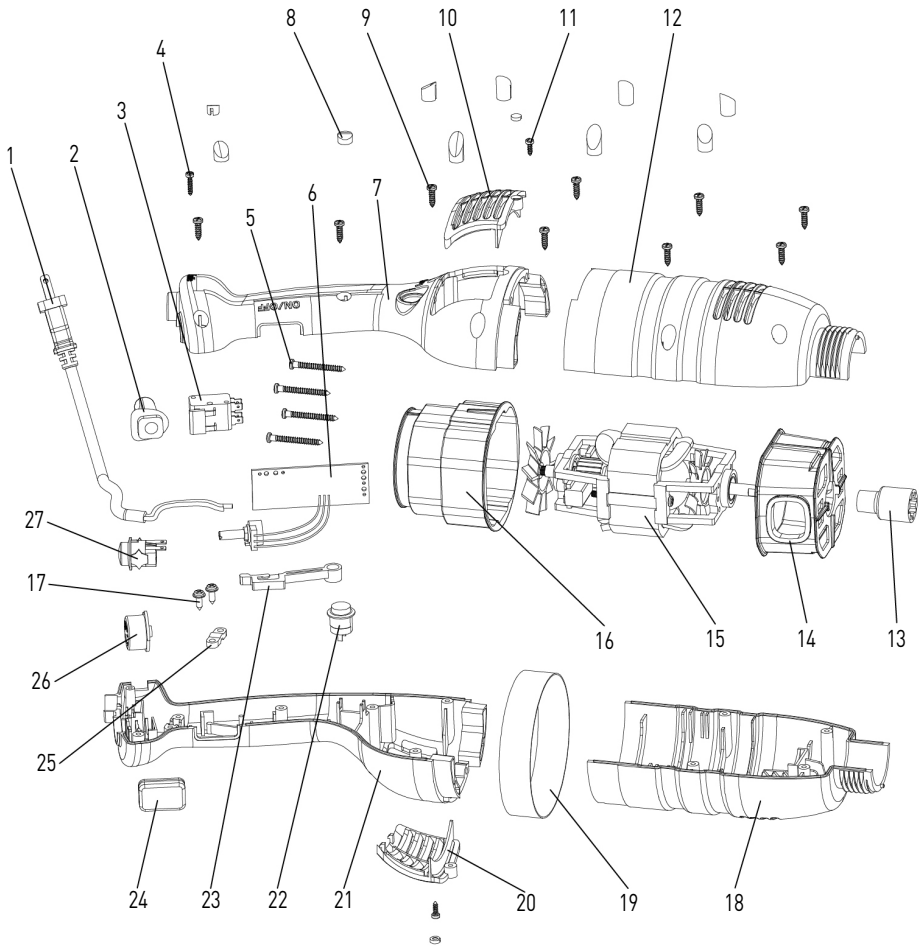
Model 222140



Onderdelenlijst – model 222140 hoofdaparaat en mixstaaf

Nr.	Naam onderdeel	Nr.	Naam onderdeel	Nr.	Naam onderdeel
1	Mes	14	Plastic voorkant behuizing	26	Schroef drukplaat
2	Convexring	15	Vertande mof	27	Schakelaar tangentieelstaaf
3	Veer grafietring	16	Lager	28	Schroef behuizing
4	Grafietring	17	Rotor	29-1	Schroefplunjer 28-1
5	Keramische ring	18	Borsteltrommel	29-2	Schroefplunjer 28-2
6	Huls keramische ring	18-1	Deksel borstel	29-3	Schroefplunjer 28-3
7	Mesbeschermer	19	Borstel	29-4	Schroefplunjer 28-4
8	Lagerhuls	20	Stator	29-5	Schroefplunjer 28-5
9	Afdichtingsring	21	Printplaat snelheidsregeling	29-6	Schroefplunjer 28-6
10	W688Z Lager	22	Linker- en rechterkant behuizing	30	Kabelmantel
11	S/S buis	23	Rubberen vergrendelingsbeschermer	31	Netsnoer
12	Uitvoeras	24	Drukplaat		
13	Spiebaan	25	Toets snelheidsregeling		

Explosietekening & onderdelenlijst voor model 221884, 221891, 222393 (alleen hoofdapparaat)



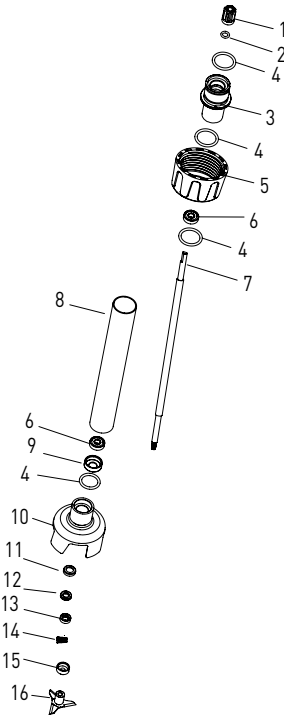
NL

Onderdelenlijst- model 221884, 221891, 222393 (alleen hoofdapparaat)

Nr.	Naam onderdeel	Nr.	Naam onderdeel	Nr.	Naam onderdeel
1	Netsnoer	10	Luchtuitlaatkap	19	Ring
2	Kabelbinder	11	Schroef drukplaat	20	Luchtuitlaatkap
3	Schakelaar	12	Behuizing 2	21	Behuizing 4
4	Schroef drukplaat	13	Vertande mof	22	Vergrendelknop
5	Schroef drukplaat	14	Onderste motorafdekking	23	Schakelaar tangetieelstaaf
6	PCB-bedieningspaneel	15	Motor	24	Schakelaar mantel
7	Behuizing 1	16	Bovenste motorafdekking	25	Drukplaat
8	Schroefplunjer	17	Schroef drukplaat	26	Toets snelheidsregeling
9	Schroef drukplaat	18	Behuizing 3	27	Veiligheidsknop



Mixstaven (optioneel) voor model 221884, 221891



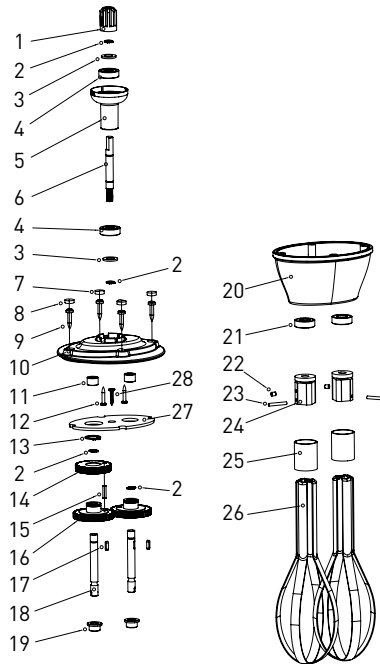
NL

Onderdelenlijst – mixstaven (optioneel): 222225, 222232, 222249, 222256

Nr.	Naam onderdeel	Nr.	Naam onderdeel	Nr.	Naam onderdeel
1	Vertande mof	7	Uitvoeras (lengte afhankelijk van model)	13	Grafietring
2	Afdichtingsring vertande mof	8	304 S/S buis (lengte afhankelijk van model)	14	Veer grafietring
3	Verbindingshuls	9	Lagerhuls	15	Convexring
4	Afdichtingsring verbindingshuls	10	Mesbeschermer	16	Mes
5	Bevestigingshuls	11	Huls keramische ring		
6	608 lager	12	Keramische ring		



Garde (optioneel) voor model 222140

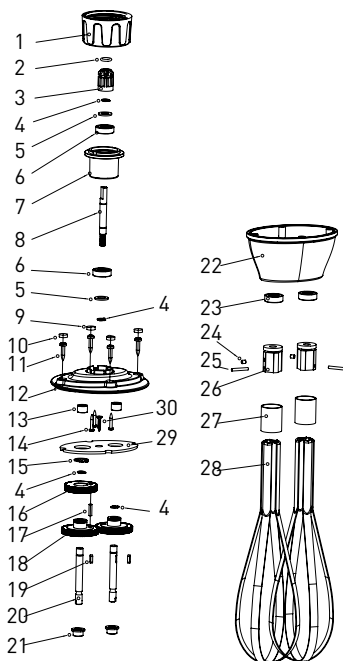


Onderdelenlijst – garde (optioneel): model 222164

Nr.	Naam onderdeel	Nr.	Naam onderdeel	Nr.	Naam onderdeel
1	Vertande mof	11	Naaldlager	21	Askeerring
2	Ø8 borgring	12	Schroef	22	M4x5 Schroef
3	Sluitring lager	13	Ø16 borgring	23	Cilindrische pen
4	Lager	14	Tandwiel met spiraalvertanding	24	Montageplaat
5	Verbindingshuls	15	Cilindrische pen	25	Stalen ring
6	Lager tandwiel met spiraalvertanding	16	Recht tandwiel	26	Stalen balk
7	Schroefplunjer 2	17	Stuutiel	27	Keerplaat
8	Schroefplunjer 1	18	Uitvoeras	28	Schroef
9	Schroef behuizing	19	Asbus		
10	Bovenkap	20	Onderkap		



Gardes (optioneel) voor model 221884, 221891



Onderdelenlijst – garde (optioneel): model 222263

Nr.	Naam onderdeel	Nr.	Naam onderdeel	Nr.	Naam onderdeel
1	Bevestigingshuls	11	Schroef voor behuizing	21	Asbus
2	Afdichtingsring vertande mof	12	Deksel bovenkant	22	Onderkap
3	Vertande mof	13	Naaldlager	23	Askeerring
4	Ø8 borgring	14	Schroef	24	M4x5 Schroef
5	Askeerring	15	Ø16 borgring	25	Cilindrische pen
6	Lager	16	Lager tandwiel met spiraalvertanding	26	Montageplaat
7	Verbindingshuls	17	Cilindrische pen	27	Stalen ring
8	Lager tandwiel met spiraalvertanding	18	Rechttandwiel	28	Stalen balk
9	Schroefplunjer 2	19	Sleutel	29	Keerplaat
10	Schroefplunjer 1	20	Uitvoeras	30	Schroef

Garantie

Elk defect waardoor de werking van het apparaat nadelig wordt beïnvloed dat zich binnen één jaar na aankoop van het apparaat voordoet, wordt gratis hersteld door reparatie of vervanging, mits het apparaat conform de instructies is gebruikt en onderhouden en niet op enigerlei wijze verkeerd is behandeld of misbruikt. Dit laat onverlet uw bij wet bepaalde rechten. Als de garantie van kracht is, vermeld dan waar en wanneer u het apparaat

hebt gekocht en sluit een aankoopbewijs bij (bijv. kassabon of factuur).

Gezien ons streven naar voortdurende verdere productontwikkeling behouden wij ons het recht voor, zonder voorafgaande kennisgeving wijzigingen aan te brengen aan product, verpakking en documentatie.

Verwijdering & milieu

Bij de buitengebruikstelling van het apparaat, mag het niet met het overige huisafval worden verwijderd. In plaats daarvan is het uw verantwoordelijkheid om uw afgedankte apparatuur in te leveren bij een daartoe aangewezen inzamelpunt. Het niet opvolgen van deze regel kan worden bestraft in overeenstemming met de geldende voorschriften voor afvalverwerking. De gescheiden inzameling en recycling van uw afgedankte apparatuur ten tijde van buitengebruikstelling helpt bij de instandhouding van natuurlijke hulpbronnen en waarborgt dat de

apparatuur wordt gerecycled op een manier die de volksgezondheid en het milieu beschermt.


Voor meer informatie over waar u uw afval kunt inleveren voor recycling kunt u contact opnemen met uw lokale afvalverwerkingsbedrijf. De fabrikant en importeurs nemen geen verantwoordelijkheid voor de recycling, behandeling en ecologische verwijdering, hetzij rechtstreeks of via een openbaar systeem.



Drogi Kliencie,

Dziękujemy za zakup tego urządzenia Hendi. Przeczytaj uważnie tę instrukcję, zwracając szczególną uwagę na przepisy bezpieczeństwa przedstawione poniżej, przed zainstalowaniem i używaniem tego urządzenia po raz pierwszy.

Przepisy bezpieczeństwa

- Niniejsze urządzenie przeznaczone jest do użytku komercyjnego.
- Urządzenie należy używać wyłącznie zgodnie z przeznaczeniem, do którego zostało zaprojektowane zgodnie z opisem w niniejszej instrukcji.
- Producent nie ponosi odpowiedzialności za jakiegokolwiek szkody spowodowane nieprawidłowym działaniem i niewłaściwym użyciem.
- Przechowywać urządzenie i wtyczkę elektryczną z dala od wody i innych płynów. W przypadku, gdy urządzenie wpadnie do wody, natychmiast wyjmij wtyczkę zasilającą z gniazda. Nie używać urządzenia, dopóki nie zostanie sprawdzone przez certyfikowanego technika. Nieprzestrzeganie tych instrukcji spowoduje zagrożenie dla życia.
- Nigdy nie próbuj samodzielnie otwierać obudowy urządzenia.
- Nie wkładaj przedmiotów do obudowy urządzenia.
- Nie dotykać wtyczki mokrymi lub wilgotnymi dłońmi.
-  **NIEBEZPIECZEŃSTWO PORAŻENIA PRĄDEM!** Nie próbuj samodzielnie naprawiać urządzenia, naprawy mogą być wykonywane wyłącznie przez wykwalifikowany personel..
- **Nigdy nie używaj uszkodzonego urządzenia!** Po uszkodzeniu odłącz urządzenie od gniazda i skontaktuj się ze sprzedawcą.
- **OSTRZEŻENIE!** Nie zanurzaj części elektrycznych urządzenia w wodzie lub innych płynach.
- Nigdy nie trzymaj urządzenia pod bieżącą wodą.
- Regularnie sprawdzaj wtyczkę zasilającą i przewód pod kątem uszkodzeń. W przypadku uszkodzenia musi zostać zastąpiony przez agenta serwisowego lub podobnie wykwalifikowaną osobę w celu uniknięcia niebezpieczeństwa lub obrażeń.
- Upewnij się, że przewód nie styka się z ostrymi lub gorącymi przedmiotami i trzymaj go z dala od otwartego ognia. Nigdy nie pociągaj za przewód zasilający, aby odłączyć go od gniazda, zawsze za wtyczkę.
- Upewnij się, że przewód zasilający i/lub przedłużacz nie powodują zagrożenia przejazdem.
- Nigdy nie pozostawiaj urządzenia bez nadzoru podczas użytkowania.
- **OSTRZEŻENIE!** Dopóki wtyczka znajduje się w gnieździe, urządzenie jest podłączone do źródła zasilania.
- Wyłącz urządzenie przed odłączeniem go od gniazda.
- Podłącz wtyczkę do łatwo dostępnego gniazda elektrycznego, aby w nagłych wypadkach urządzenie mogło zostać natychmiast odłączone.
- Nigdy nie noś urządzenia za przewód.
- Nie należy używać żadnych dodatkowych urządzeń, które nie są dostarczane razem z urządzeniem.

PL




- Podłącz urządzenie tylko do gniazdka elektrycznego z napięciem i częstotliwością wymienioną na etykiecie urządzenia.
- Nigdy nie używaj akcesoriów innych niż zalecane przez producenta. Niezastosowanie się do tego może stanowić zagrożenie dla bezpieczeństwa użytkownika i spowodować uszkodzenie urządzenia. Używaj tylko oryginalnych części i akcesoriów.
- Urządzenie to nie powinno być obsługiwane przez osoby o ograniczonych możliwościach fizycznych, sensorycznych lub umysłowych, ani osoby, które mają brak doświadczenia i wiedzy.
- Urządzenie to w żadnym wypadku nie powinno być używane przez dzieci.
- Przechowywać urządzenie i jego przewód zasilający w miejscu niedostępnym dla dzieci.
- **OSTRZEŻENIE: ZAWSZE** wyłączyć urządzenie i odłączyć od gniazdka elektrycznego przed czyszczeniem, konserwacją lub przechowywaniem.

Specjalne przepisy bezpieczeństwa

- Z urządzenia korzystaj wyłącznie zgodnie z niniejszą instrukcją. Do użytku tylko wewnątrz pomieszczeń.
- Urządzenie przeznaczone jest do użytku tylko przez wykwalifikowany i przeszkolony personel.
- Gdy urządzenie jest pozostawione bez nadzoru, jak również przed montażem, rozmontowaniem oraz czyszczeniem, bezwzględnie odłączyć je od źródła zasilania, wyjmując wtyczkę z kontaktu.
- Podczas pracy urządzenia nie kierować ostrza w stronę znajdujących się w pobliżu osób.
- Podczas pracy urządzenia nie dotykać ostrza ani innych części ruchomych. Podczas pracy urządzenia nie dotykać elementów ruchomych rękoma oraz innymi przyrządami kuchennymi; związać włosy.
- Urządzenia oraz jego akcesoria dokładnie osuszyć przed podłączeniem do źródła zasilania i zamontowaniem akcesoriów.
- **NIEBEZPIECZEŃSTWO SKALECZEŃ I OBRAŻEŃ DŁONI!** Ostrożnie postępować z ostrzem urządzenia - nóż jest ostry.
- Nie dodawać składników do naczynia podczas pracy urządzenia.
- **Ostrzeżenie:** Urządzenie odłączyć od źródła zasilania natychmiast po użyciu i przed zdjęciem bądź zmianą akcesoriów.
- Blender ręczny przeznaczony jest do przetwarzania produktów żywnościowych w pojemniku.
- Wszelkie czynności konserwacyjne i montażowe oraz naprawa urządzenia powinny zostać przeprowadzane przez wykwalifikowanych, upoważnionych techników.
- **OSTRZEŻENIE:** Podczas pracy urządzenia pamiętaj, by nie wkładać do pojemnika dłoni ani przyborów kuchennych, tym samym zmniejszając ryzyko poważnych obrażeń ciała i/ lub uszkodzenia blendera.
- Nie korzystaj z urządzenia przez długi czas, aby uniknąć przegrzania silnika. Urządzenie nie powinno pracować nieprzerwanie dłużej niż 3 minut. Urządzenie nadaje się ponownie do użycia po wystygnięciu.



- Nie myj urządzenia wodą lub za pomocą silnego strumienia. Mycie urządzenia wodą może spowodować przedostanie się jej do części elektrycznych i doprowadzić do porażenia prądem. Części urządzenia nie mogą być myte w zmywarce.
- Przeprowadź przewód zasilający tak, aby zapobiec przypadkowemu pociągnięciu lub potknięciu się o kabel.
- Nie czyść ani nie umieszczaj urządzenia w miejscu przechowywania, zanim całkowicie nie ostygnie.
-  Blender jest urządzeniem II klasy ochronności.

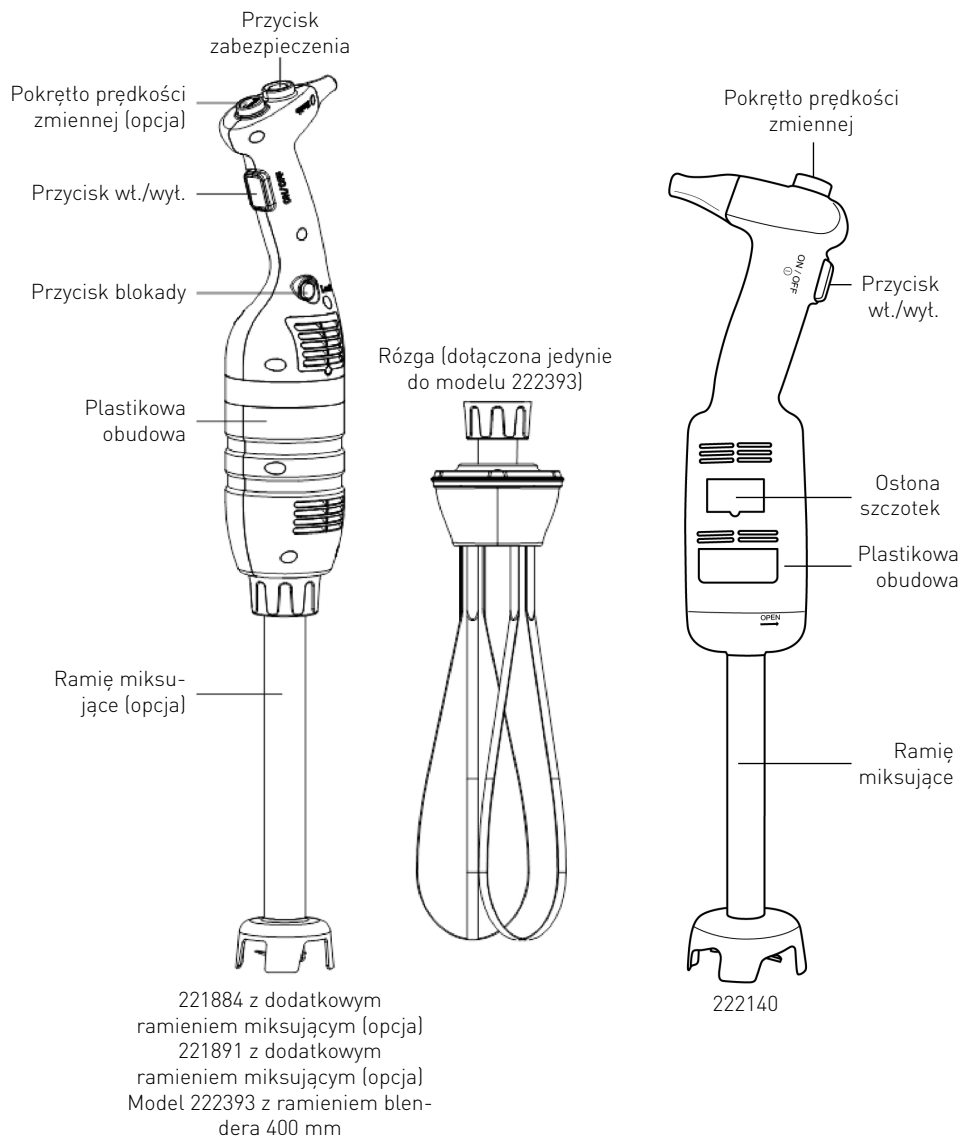
Aby zamocować wieszak dołączony do modelu 222393 na ścianie, uważnie przeczytaj poniższe wskazówki bezpieczeństwa:

- Ze względów bezpieczeństwa montaż powinien zostać przeprowadzony przez wykwalifikowanego technika.
- Przed przystąpieniem do montażu sprawdź, czy ściana może utrzymać ciężar całego urządzenia oraz jego akcesoriów.
- Upewnij się, czy w pobliżu miejsca montażu nie ma żadnych przewodów elektrycznych, przyłączy wody, gazu lub innych elementów instalacji.
- Skonsultuj się z wykwalifikowanym wykonawcą lub specjalistą, jeśli nie masz pewności w kwestii konstrukcji ściany.
- Dokręć śruby. Nie dokręcaj zbyt mocno. Zbyt mocne dokręcenie może prowadzić do uszkodzenia śruby, znacznie zmniejszając stabilność montażu.
- Podczas montażu nie dopuszczaj dzieci ani zwierząt do miejsca instalacji.
- **OSTRZEŻENIE!** Nie umieszczaj na wieszaku innych przedmiotów niż urządzenie, aby nie dopuścić do przeciążenia wieszaka.

Przeznaczenie

- Urządzenie przeznaczone jest do zastosowania profesjonalnego.
 - Urządzenie przeznaczone jest wyłącznie do przecierania, emulgowania i mieszania gorących i zimnych produktów żywnościowych w celach komercyjnych. Urządzenie służy to przygotowywania zup, puree, kremów, masy marcepanowej, serków śmietankowych itp. bezpośrednio w naczyniu.
- Użycie urządzenia w jakimkolwiek innym celu może prowadzić do jego uszkodzenia bądź obrażeń ciała.
- Wykorzystanie urządzenia w jakimkolwiek innym celu uznane będzie za wykorzystanie niezgodne z przeznaczeniem. Użytkownik będzie wyłącznie odpowiedzialny za nieprawidłowe wykorzystanie urządzenia.

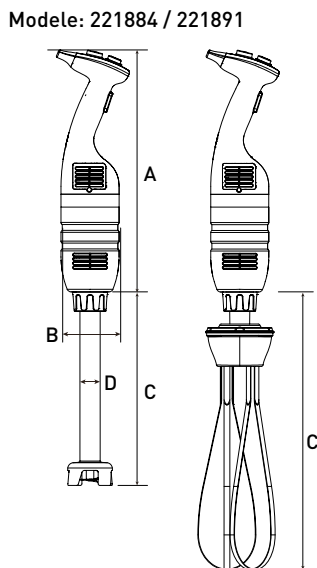
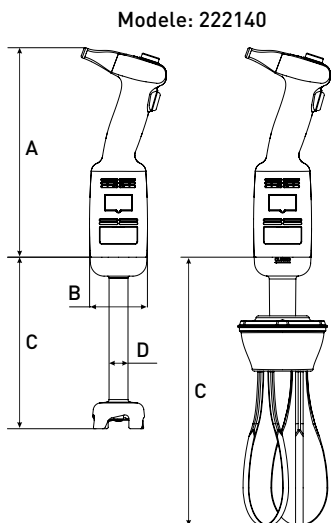
Opis produktu



PL



Główne parametry techniczne



Specyfikacja techniczna

Kod	Napięcie zasilania	Moc	Szacunkowa prędkość obrotów	Szacunkowa waga korpusu bez ramienia miksującego lub ubijającego	A (Długość)	B (Średnica)
222140	230 V/50 Hz	220 W	4 000 ~ 20 000 obr./min.	1,15 kg	304 mm	Ø 75 mm
221884	230 V/50 Hz	350 W	4 000 ~ 16 000 obr./min.	2,35 kg	416 mm	Ø 100 mm
221891	230 V/50 Hz	500 W	4 000 ~ 16 000 obr./min.	2,55 kg	416 mm	Ø 100 mm

Uwaga: Specyfikacja techniczna może ulec zmianie bez uprzedzenia.

Tabela kombinacji z podłączeniem ramienia miksującego i ubijającego.

Podane akcesoria nie są dołączone do produktu.

Kod	Waga ok.	C (Długość)	D (Średnica)	Opis
222164	0,81 kg	185 mm	-	Ramię ubijające do modelu 222140 (opcjonalne)
-	0,52 kg	160 mm	Ø 28 mm	Ramię miksujące do modelu 222140 (dołączone do produktu)
222263	0,86 kg	250 mm	-	Ramię ubijające do modeli 221884 (opcjonalne) i 221891 (opcjonalne)
222225	0,82 kg	250 mm	Ø 35 mm	
222232	1,02 kg	300 mm	Ø 35 mm	Ramię miksujące do modelu 221884 (opcjonalne)
222249	1,28 kg	400 mm	Ø 35 mm	i 221891 (opcjonalne)
222256	1,56 kg	500 mm	Ø 35 mm	

Uwagi: Model 222393 - zestaw - obejmuje 221884 + 222249 + 222263 + wieszak ścienny + zestawy montażowe (2 zestawy śrub mocujących, podkładek i kołków rozporowych).



Wstęp

- Przed skorzystaniem z urządzenia uważnie zapoznać się z niniejszą instrukcją obsługi. Zawiera ona ważne informacje dotyczące bezpieczeństwa użytkownika, jak również wskazówki dotyczące korzystania i konserwacji urządzenia.
- Urządzenie przeznaczone jest do profesjonalnego użytku w lodziarniach, restauracjach, kuchniach hotelowych w celu przyrządzenia lodów, zup warzywnych, puree, sosów, farszu, majonezu, pasty pomidorowej, pesto itd.
- Aby w pełni wykorzystać możliwości miksera ręcznego, należy dobrze poznać jego funkcje.
- Konserwacja urządzenia polega na kilku prostych czynnościach, które może wykonywać operator.
- Aby zapewnić długi okres eksploatacji urządzenia i obniżenie kosztów użytkowania, postępować zgodnie z instrukcją.
- Urządzenie zostało zaprojektowane przez producenta w taki sposób, aby zapewnić bezpieczeństwo użytkowania. Zdjęcie zabezpieczeń zainstalowanych przez producenta w znacznym stopniu obniży bezpieczeństwo korzystania z urządzenia.
- Aby zapewnić bezpieczeństwo, postępować zgodnie z instrukcjami podczas instalacji i podłączania urządzenia do źródła zasilania.
- Urządzenie instalować w środowisku roboczym wolnym od czynników korozyjnych.
- Obszar instalacji nie może być zagrożony wybuchem.
- Stosować wyłącznie dołączone CZĘŚCI ZAMIENNE.
- Niniejsza instrukcja stanowi integralną część urządzenia, dlatego przechowywać ją w bezpiecznym miejscu. Funkcje, dane i rysunki przedstawione w niniejszej instrukcji stanowią wyłączną własność producenta.
- Funkcje urządzenia umożliwiają przygotowanie następujących rodzajów żywności w najkrótszym możliwym czasie: gęstych przecierów warzywnych, zup, puree ziemniaczanego, kremów, ciast, majonezu, miazgi migdałowej, serków kremowych itp.

Przygotowania przed zamontowaniem wieszaka do ściany (wyłącznie model 222393)

Przed wykonaniem montażu: Sprawdź wieszak ścienny pod kątem uszkodzeń i kompletności zestawów montażowych (2 zestawów śrub mocujących, podkładek i kotków rozporowych). Jeśli wieszak ścienny jest uszkodzony lub niekompletny, NIE WYKONUJ montażu.

Uwaga:

- Skonsultuj się z wykwalifikowanym wykonawcą lub specjalistą w zakresie montażu, jeśli nie masz pewności w kwestii konstrukcji ściany. Ma to na celu zapewnienie prawidłowego i bezpiecznego montażu urządzenia.
- Ze względów bezpieczeństwa montaż powinien być przeprowadzany przez wykwalifikowanych techników.
- Rozstaw otworów na śruby montażowe powinien wynosić ok. 217 mm. Przed rozpoczęciem pracy uporządkuj miejsce wykonywania montażu.
- **Ważne informacje:** Przed rozpoczęciem montażu wieszaka upewnij się, czy dostępne są wszystkie narzędzia, takie jak śrubokręt, wiertarka elektryczna, miarka, ołówek (brak w zestawie).
- Wieszak musi zostać stabilnie zamocowany do ściany za pomocą dwóch śrub mocujących z kotkami rozporowymi.
- Pamiętaj, że w obszarze montażu mogą znajdować się elementy takie jak kanały, przewody elektryczne oraz rury. Zachowaj szczególną ostrożność podczas montażu.



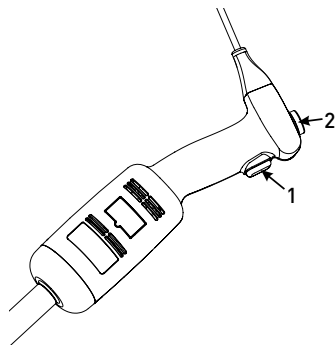
Instrukcja obsługi (model 222140):

UWAGA! Przed podłączeniem urządzenia do źródła zasilania, bezwzględnie sprawdzić, czy specyfikacja urządzenia na tabliczce znamionowej odpowiada parametrom w gniazdku, do którego ma być podłączone niniejsze urządzenie.

UWAGA! Model 222140 nie posiada funkcji zablokowania umożliwiającej nieprzerwaną pracę urządzenia.

OBSŁUGA URZĄDZENIA:

1. Upewnić się, czy urządzenie nie jest podłączone do źródła prądu przed montażem części.
2. Podłączyć ramię miksujące / ubijające do korpusu.
3. Sprawdzić, czy przycisk wt./wyt. (do uzupełnienia) jest wyjąty (ustawiony płasko).
4. Podłączyć urządzenie do źródła zasilania.
5. Następnie wcisnąć przycisk wt./wyt (do uzupełnienia). Urządzenie uruchomi się. **ZACHOWAĆ OSTROŻNOŚĆ!**
6. By wyłączyć urządzenie, zwolnić przycisk wt./wyt.



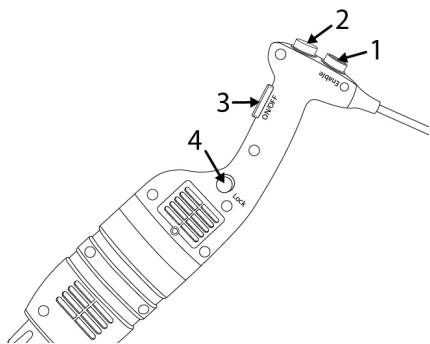
Instrukcja obsługi (modele: 221884, 221891, 222393):

UWAGA! Przed podłączeniem urządzenia do źródła zasilania, sprawdzić, czy specyfikacja urządzenia na tabliczce znamionowej odpowiada parametrom w gniazdku, do którego ma być podłączone niniejsze urządzenie.

UWAGA: Modele 221884 i 221891 posiadają funkcję zablokowania umożliwiającą nieprzerwaną pracę urządzenia.

Uruchamianie i zatrzymywanie urządzenia

1. Upewnić się, czy urządzenie nie jest podłączone do źródła prądu przed montażem.
2. Podłączyć ramię miksujące / ubijające do korpusu.
3. Sprawdzić, czy przycisk wt./wyt. (3) jest wyjąty (ustawiony płasko).
4. Podłączyć urządzenie do źródła zasilania.
5. Najpierw należy wcisnąć i przytrzymać przycisk zabezpieczenia (1).
6. Następnie należy wcisnąć przycisk wt./wyt. (3) i przytrzymać jednocześnie z przyciskiem zabezpieczenia. Urządzenie uruchomi się. **ZACHOWAĆ OSTROŻNOŚĆ!**
7. Zwolnij przycisk bezpieczeństwa (1), urządzenie będzie nadal działać
8. By zatrzymać pracę urządzenia, należy zwolnić przycisk wt./wyt. (3).



Praca ciągła:

Postępować zgodnie z punktami 1-7 powyżej, a następnie:

- Przy wciśniętym przycisku [3] przyciśnij jednokrotnie przycisk [4]
- Zwolnij przycisk [3]. Urządzenie będzie pracować w cyklu pracy ciągłej
- By wyłączyć urządzenie, naciśnij i zwolnij przycisk wł./wył. [3].

Zmiana prędkości (modele: 222140, 221884, 221891, 222393)

Postępować zgodnie z punktami 1-7 powyżej, a następnie:

- Zmienić prędkość pracy silnika obracając pokrętko zmiany prędkości [2] na wartość niższą lub wyższą (według uznania). **Jeśli używane jest ramię ubijające, zaleca się uruchomienie urządzenia z niską prędkością.** Dzięki systemowi automatycznej regulacji prędkości, wybrana prędkość pozostaje stała nawet w przypadku zmiany konsystencji mieszanych składników.

UWAGA:

Funkcja miksera: Aby zapewnić lepszą kontrolę, zalecamy przytrzymywanie uchwytu miksera i dolnej części korpusu silnika. Zalecamy także lekko przechylić mikser, tak aby końcówka ramienia nie dotykała dna naczynia. Zawsze sprawdzać, czy końcówka jest zanurzona odpowiednio głęboko,

aby uniknąć rozprysków i przedostania się cieczy przez otwory wentylacyjne jednostki silnika. Aby zapewnić optymalną wydajność, dwie trzecie ramienia należy zanurzyć w przygotowywanej mieszance.

Funkcja ubijania: Można także trzymać urządzenie jedną ręką, a drugą w razie potrzeby przytrzymać miskę. Podczas ubijania zalecamy przesuwanie ramienia ubijającego wokół miski, aby zapewnić jednolite ubicie masy. Uważać, aby nie dotykać

ścianek miski ramieniem ubijającym. Aby zapewnić maksymalną wydajność, należy zanurzyć przynajmniej jedną piątą długości ramienia. Nigdy nie zanurzać uchwytu.

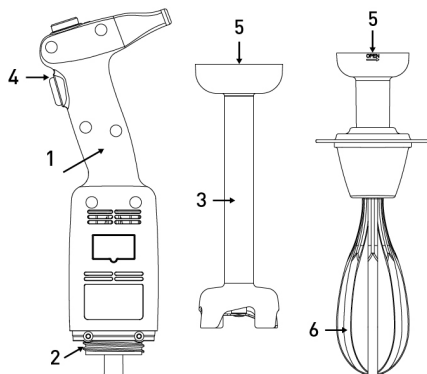


Montaż / demontaż części urządzenia

Montaż / demontaż części urządzenia należy przeprowadzać przy urządzeniu wyłączonym i odłączonym od zasilania.

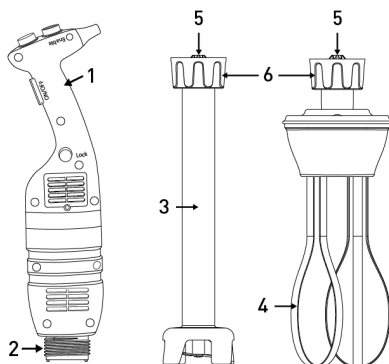
Montaż: Model 222140:

1. Dopasować i włożyć złączkę [5] ramienia miksującego [3] albo ubijającego [6] w złączkę [2] korpusu urządzenia [1].
2. Dokręcić dokładnie ramię miksujące [3] albo ubijające [6] do korpusu [1].



Montaż: Modele 221884, 221891, 222393:

1. Dopasować i włożyć złączkę [5] ramienia miksującego [3] albo ubijającego [4] w złączkę [2] korpusu urządzenia [1]. Upewnić się, czy węższa strona złączki urządzenia jest dopasowana do wklęsłej strony złączki ramienia miksującego [3] lub ubijającego [4].
2. Dokręcić dokładnie nakrętkę [6] do korpusu [1].



Aby zdemontować akcesoria, należy przeprowadzić powyższe czynności w odwrotnej kolejności.

Instrukcja mycia

Przed przystąpieniem do mycia, zawsze odłączać urządzenie od zasilania.

- Po użyciu miksera ręcznego w gorącej mieszance, należy schłodzić ramię miksujące w zimnej wodzie przed zdjęciem końcówki z ramienia miksującego. Po zakończeniu pracy niezwłocznie umyć ramię, aby uniknąć przywierania resztek mieszaniny.
- Nigdy nie zanurzać silnika ani uchwytu w wodzie, czyścić wilgotną ściereczką albo gąbką.
- Czyszczenie ramienia miksującego i końcówki: Umieścić ramię i końcówkę w odpowiednim naczyniu napelnionym czystą wodą i włączyć urządzenie na kilka sekund.

- **OSTRZEŻENIE:** Po umyciu zawsze dokładnie osuszać ostrza, aby uniknąć powstawania plam rdzy.
- Nigdy nie zanurzać uchwytu ramienia ubijającego w wodzie, czyścić wilgotną ściereczką albo gąbką.
- Po każdym użyciu urządzenie należy czyścić za pomocą detergentu albo środka dezynfekującego, nie używać jednak czystego wybielacza. Do czyszczenia części plastikowych nie używać detergentów alkalicznych.



Rozwiązywanie problemów

W przypadku przerwy w zasilaniu albo odtądzenia urządzenia, zwolnić przycisk wł./wyt. (3), sprawdzić zasilanie i uruchomić ponownie urządzenie.

Jeśli urządzenie zostanie wyłączone w wyniku przegrzania, zwolnić przycisk wł./wyt. (3), odłączyć urządzenie od zasilania, odczekać kilka minut, aż silnik ostygnie, a zabezpieczenie przed przegrzaniem zresetuje się; następnie ponownie uruchomić urządzenie.

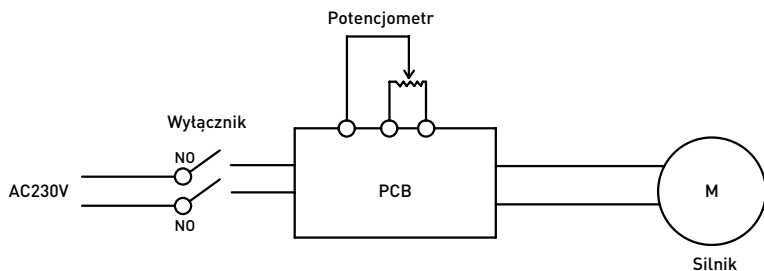
Jeśli nie można ustalić przyczyny problemu: zwolnić przycisk wł./wyt. (CB), odłączyć urządzenie od zasilania i sprawdzić:

1. wtyczkę,
2. czy ostrza w końcówce obracają się swobodnie,
3. stan kabla zasilającego,
4. czy wał napędowy swobodnie się obraca. W tym celu zdjąć końcówkę i ręcznie sprawdzić, czy końcówka wału obraca się.

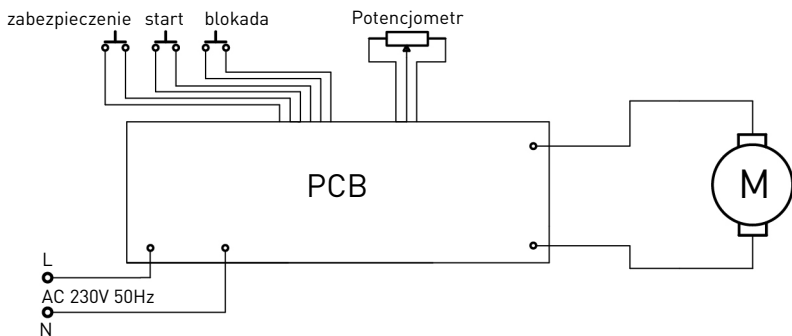
W przypadku wystąpienia awarii, która nie jest opisana w instrukcji, skontaktować się ze sprzedawcą urządzenia albo przekazać urządzenie do autoryzowanego serwisu.

Schemat elektryczny

Model 222140

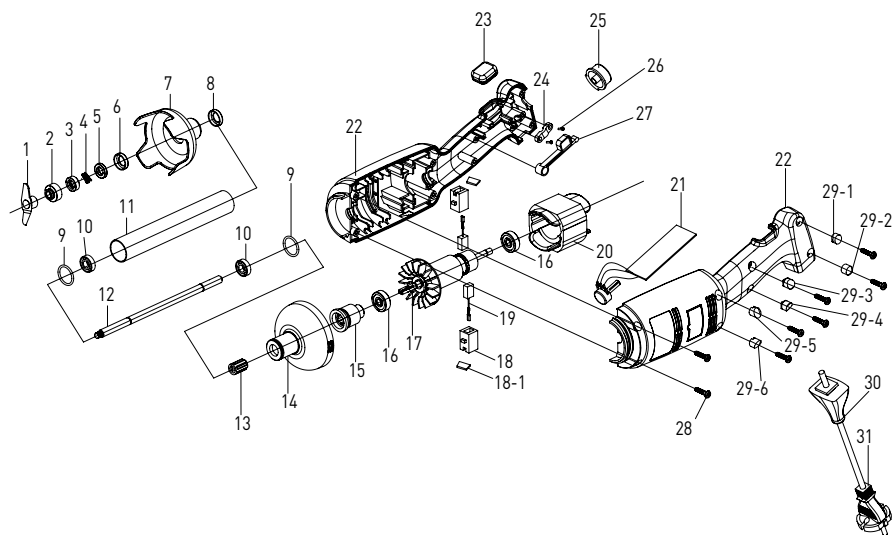


Model 221884, 221891, 222393



Rysunek eksplozyjny i wykaz części modelu 222140

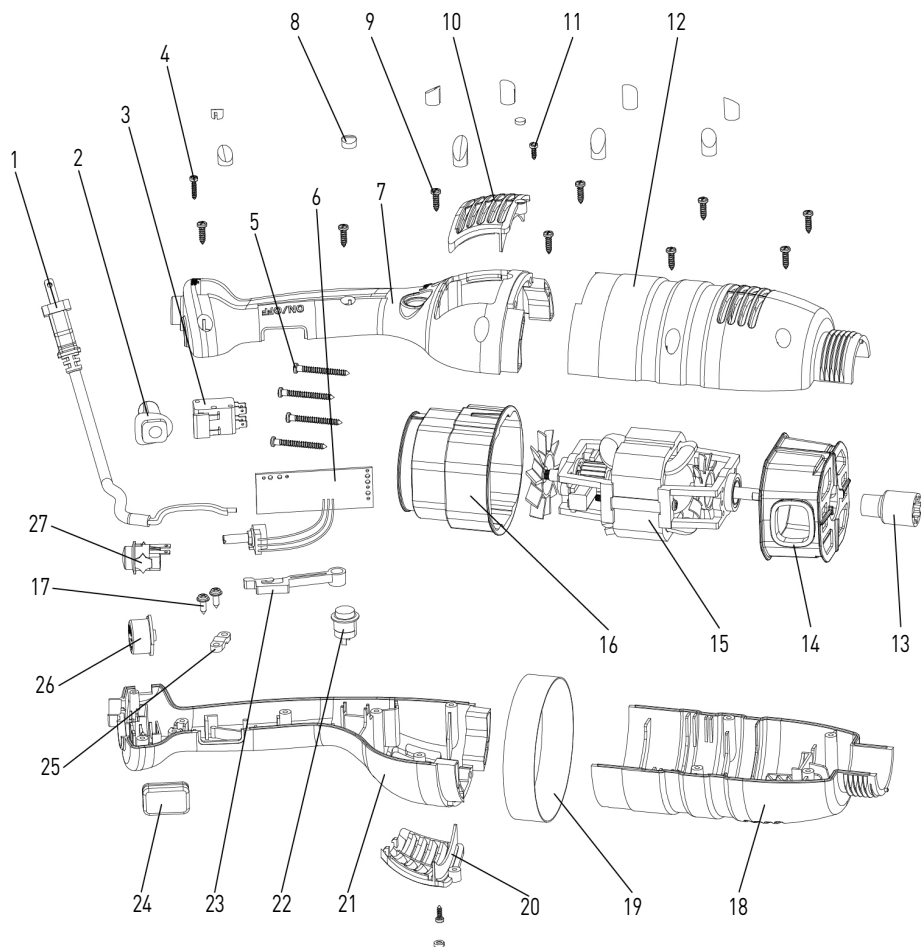
Model 222140



Wykaz części - model 222140 korpus i ramię miksujące

Nr	Nazwa części	Nr	Nazwa części	Nr	Nazwa części
1	Nóż	14	Plastikowa obudowa głowicy	26	Śruba listwy dociskowej
2	Pierścień wklęsły	15	Tuleja wielowpustowa	27	Styczny trzon przetącznika
3	Grafitowa sprężyna pierścieniowa	16	Łożysko	28	Śruba obudowy
4	Grafitowy pierścień	17	Wirnik	29-1	Trzpień gwintowany 28-1
5	Ceramiczny pierścień	18	Uchwyt na szczotkę	29-2	Trzpień gwintowany 28-2
6	Ceramiczna tuleja pierścieniowa	18-1	Ostonka szczotki	29-3	Trzpień gwintowany 28-3
7	Ostona noża	19	Szczotka	29-4	Trzpień gwintowany 28-4
8	Tuleja łożyskowa	20	Stojan	29-5	Trzpień gwintowany 28-5
9	Pierścień uszczelniający	21	Płyta sterująca prędkością	29-6	Trzpień gwintowany 28-6
10	Łożysko W688Z	22	Obudowa lewa i prawa	30	Ostona kabla
11	Tuleja ze stali nierdzewnej	23	Gumowe zabezpieczenie przed zablokowaniem	31	Przewód zasilania
12	Tuleja wydająca	24	Listwa dociskowa		
13	Wypust	25	Przycisk sterowania prędkością		

Rysunek eksplozyjny i wykaz części modeli 221884, 221891, 222393 (wyłącznie korpus)

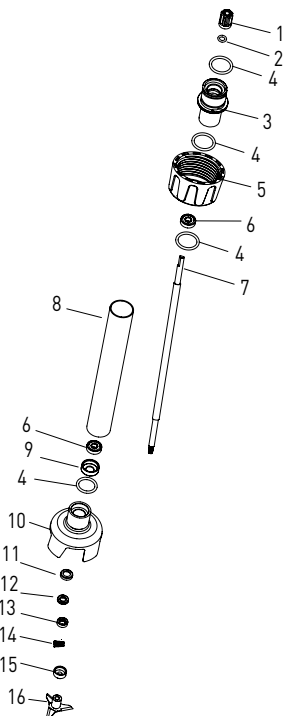


Wykaz części modeli 221884, 221891, 222393 (wyłącznie korpus)

Nr	Nazwa części	Nr	Nazwa części	Nr	Nazwa części
1	Przewód zasilania	10	Pokrywa wylotu powietrza	19	Pierścień mocujący
2	Opaska kabla	11	Śruba listwy dociskowej	20	Pokrywa wylotu powietrza
3	Przełącznik	12	Obudowa 2	21	Obudowa 4
4	Śruba listwy dociskowej	13	Tuleja wielowpustowa	22	Przycisk blokady
5	Śruba listwy dociskowej	14	Dolne mocowanie silnika	23	Styczny trzon przełącznika
6	Płytkę elektroniczną	15	Silnik	24	Gniazdo przełącznika
7	Obudowa 1	16	Górne mocowanie silnika	25	Listwa dociskowa
8	Trzpień gwintowany	17	Śruba listwy dociskowej	26	Przycisk sterowania prędkością
9	Śruba listwy dociskowej	18	Obudowa 3	27	Przycisk zabezpieczenia



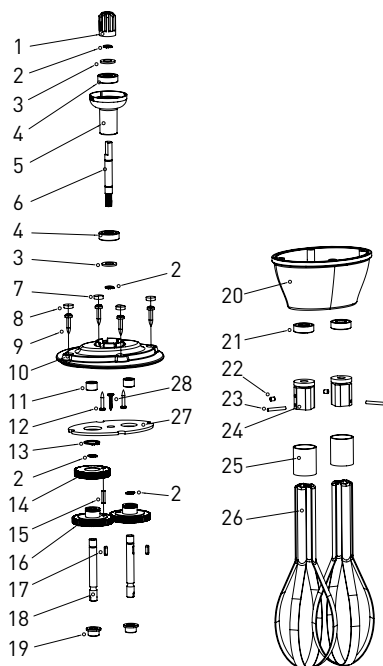
Ramiona miksujące (opcjonalne) do modeli 221884, 221891



Wykaz części - ramiona miksujące (opcjonalne): 222225, 222232, 222249, 222256

Nr	Nazwa części	Nr	Nazwa części	Nr	Nazwa części
1	Tuleja wielowpustowa	7	Tuleja wydająca (w zależności od modelu)	13	Grafitowy pierścień
2	Pierścień uszczelniający tulei wielowpustowej	8	Tuleja ze stali nierdzewnej 304 (w zależności od modelu)	14	Grafitowa sprężyna pierścieniowa
3	Tuleja tącząca	9	Tuleja łożyskowa	15	Pierścień wklęsły
4	Pierścień uszczelniający tulei tączącej	10	Ostona noża	16	Nóż
5	Tuleja mocująca	11	Ceramiczna tuleja pierścieniowa		
6	Łożysko 608	12	Pierścień ceramiczny		

Ramię ubijające (Opcjonalne) dla modelu 222140

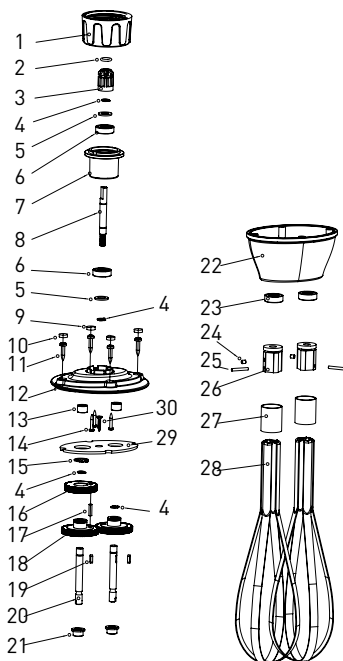


Wykaz części - ramię miksujące (opcjonalne): model 222164

Nr	Nazwa części	Nr	Nazwa części	Nr	Nazwa części
1	Tuleja wielowpustowa	11	Łożysko igietkowe	21	Uszczelniaacz olejowy
2	Pierścień sprężynujący Ø8	12	Śruba	22	Śruba M4x5
3	Uszczelka łożyska	13	Pierścień sprężynujący Ø16	23	Bolczyk cylindryczny
4	Łożysko	14	Łożysko przekładni spiralnej	24	Mocowana listwa
5	Tuleja łącząca	15	Bolczyk cylindryczny	25	Stalowy pierścień
6	Łożysko przekładni spiralnej	16	Przekładnia prosta	26	Stalowy słupek
7	Trzpień gwintowany 2	17	Przycisk	27	Sitko
8	Trzpień gwintowany 1	18	Tuleja wydająca	28	Śruba
9	Śruba obudowy	19	Tuleja ramienia		
10	Pokrywa górna	20	Pokrywa dolna		



Ramiona ubijające (Opcjonalne) dla modeli 221884 i 221891



Wykaz części - ramię miksujące (opcjonalne): model 222263

Nr	Nazwa części	Nr	Nazwa części	Nr	Nazwa części
1	Tuleja mocująca	11	Śruba obudowy	21	Tuleja ramienia
2	Pierścień uszczelniający tulei wielowpustowej	12	Pokrywa górna	22	Pokrywa dolna
3	Tuleja wielowpustowa	13	Łożysko igiełkowe	23	Uszczelniacz olejowy
4	Pierścień sprężynujący Ø8	14	Śruba	24	Śruba M4x5
5	Uszczelniacz olejowy	15	Pierścień sprężynujący Ø16	25	Bolczyk cylindryczny
6	Łożysko	16	Łożysko przekładni spiralnej	26	Mocowana listwa
7	Tuleja łącząca	17	Bolczyk cylindryczny	27	Stalowy pierścień
8	Łożysko przekładni spiralnej	18	Przekładnia prosta	28	Stalowy słupek
9	Trzpień gwintowany 2	19	Przycisk	29	Sitko
10	Trzpień gwintowany 1	20	Tuleja wydająca	30	Śruba

Gwarancja

Każda wada bądź usterka powodująca niewłaściwe funkcjonowanie urządzenia, która ujawni się w ciągu jednego roku od daty zakupu, zostanie bezpłatnie usunięta lub urządzenie zostanie wymienione na nowe, o ile byto użytkowane i konserwowane zgodnie z instrukcją obsługi i nie byto wykorzystywane w niewłaściwy sposób lub niezgodnie z przeznaczeniem. Postanowienie to w żadnej mierze nie narusza innych praw użytkownika wynikających z przepisów prawa. W przypadku zgłoszenia urzą-

dzenia do naprawy lub wymiany w ramach gwarancji należy podać miejsce i datę zakupu urządzenia i dołączyć dowód zakupu (np. paragon).

Zgodnie z naszą polityką ciągłego doskonalenia wyrobów zastrzegamy sobie prawo do wprowadzania bez uprzedzenia zmian w wyrobie, opakowaniu oraz danych technicznych podawanych w dokumentacji.

Wycofanie z użytkowania i ochrona środowiska

Pamiętaj!

Nie wyrzucaj zużytego sprzętu łącznie z innymi odpadami

Nie demontuj zużytych urządzeń zawierających niebezpieczne składniki na własną rękę!

Grożą Ci za to kary grzywny!

Po zakończeniu eksploatacji produktu nie wolno gromadzić razem z odpadami komunalnymi, tylko należy odstawić do punktu odbioru odpadów elektrycznych i elektronicznych. Użytkownik ponosi odpowiedzialność za przekazanie wycofanego z użytkowania urządzenia do punktu gospodarowania odpadami. Nieprzestrzeganie tej zasady może być karane zgodnie z lokalnie obowiązującymi przepisami dotyczącymi gospodarowania odpadami. Jeśli urządzenie wycofane z użytkowania jest poprawnie odebrane jako osobny odpad, może zostać przetworzone i zutyliczowane w sposób przyjazny dla środowiska, co zmniejsza negatywny wpływ na środowisko i zdrowie ludzi. Aby uzyskać więcej informacji dotyczących dostępnych usług w zakresie odbioru odpadów, należy skontaktować się z lokalną firmą odbierającą odpady.



Symbol przekreślonego kosza na śmieci oznacza, że tego produktu nie wolno wyrzucać do zwykłych pojemników na odpady.

Zużyte urządzenia elektryczne i elektroniczne mogą zawierać niebezpieczne składniki np. rtęć, ołów, kadm lub freon. Jeśli tego typu substancje przedostaną się w sposób niekontrolowany do środowiska, spowodują skażenie wody i gleby, a także wpłyną niekorzystnie na zdrowie ludzi i zwierząt.

Właściwe postępowanie ze zużytym sprzętem zapobiega potencjalnym negatywnym konsekwencjom dla środowiska naturalnego i ludzkiego zdrowia.


Jednocześnie oszczędzamy naturalne zasoby naszej Ziemi wykorzystując powtórnie surowce uzyskane z przetwarzania sprzętu.



Cher client,

Merci d'avoir acheté cet appareil **Hendi**. Lisez attentivement ce manuel, en accordant une attention particulière aux règles de sécurité décrites ci-dessous, avant d'installer et d'utiliser cet appareil pour la première fois.

Règlement sur la sécurité

- L'appareil est destiné à un usage commercial.
- N'utilisez l'appareil qu'aux fins prévues pour lesquelles il a été conçu comme décrit dans le présent manuel.
- Le fabricant n'est pas responsable des dommages causés par un mauvais fonctionnement et une mauvaise utilisation.
- Gardez l'appareil et la prise électrique à l'écart de l'eau et des autres liquides. Dans le cas où l'appareil tombe dans l'eau, retirez immédiatement la prise d'alimentation de la prise. N'utilisez pas l'appareil tant qu'elle n'a pas été vérifiée par un technicien certifié. Si vous ne respectez pas ces instructions, vous risquez de mettre la vie en danger.
- N'essayez jamais d'ouvrir le boîtier de l'appareil par vous-même.
- N'insérez pas d'objets dans le boîtier de l'appareil.
- Ne touchez pas la prise avec les mains mouillées ou humides.
-  **DANGER DE CHOC ÉLECTRIQUE!** N'essayez pas de réparer l'appareil par vous-même, les réparations doivent être effectuées uniquement par du personnel qualifié.
- **N'utilisez jamais un appareil endommagé!** Lorsqu'il est endommagé, débranchez l'appareil de la prise et contactez le détaillant.
- **AVERTISSEMENT!** Ne pas immerger les parties électriques de l'appareil dans de l'eau ou d'autres liquides.
- Ne tenez jamais l'appareil sous l'eau courante.
- Vérifiez régulièrement la prise d'alimentation et le cordon pour tout dommage. Lorsqu'il est endommagé, il doit être remplacé par un agent de service ou une personne qualifiée de la même manière afin d'éviter un danger ou une blessure.
- Assurez-vous que le cordon n'entre pas en contact avec des objets tranchants ou chauds et maintenez-le à l'écart du feu ouvert. Ne tirez jamais le cordon d'alimentation pour le débrancher de la prise, tirez toujours la prise à la place.
- Assurez-vous que le cordon d'alimentation et/ou le rallonge ne présentent pas de risque de déclenchement.
- Ne laissez jamais l'appareil sans surveillance pendant l'utilisation.
- **AVERTISSEMENT!** Tant que la prise est dans la prise, l'appareil est connectée à la source d'alimentation.
- Éteignez l'appareil avant de le débrancher de la prise.
- Connectez la prise d'alimentation à une prise électrique facilement accessible afin qu'en cas d'urgence l'appareil puisse être débranché immédiatement.
- Ne portez jamais l'appareil par le cordon.

FR




- N'utilisez pas de périphériques supplémentaires qui ne sont pas fournis avec la solution matérielle-logicielle.
- Connectez uniquement l'appareil à une prise électrique dont la tension et la fréquence sont indiquées sur l'étiquette de l'appareil.
- N'utilisez jamais d'accessoires autres que ceux recommandés par le fabricant. Le fait de ne pas le faire pourrait présenter un risque pour la sécurité de l'utilisateur et pourrait endommager l'appareil. Utilisez uniquement des pièces et accessoires d'origine.
- Cet appareil ne doit pas être utilisé par des personnes ayant des capacités physiques, sensorielles ou mentales réduites, ou par des personnes qui ont un manque d'expérience et de connaissances.
- Cet appareil ne doit en aucun cas être utilisé par des enfants.
- Gardez l'appareil et son cordon d'alimentation hors de portée des enfants.
- **ATTENTION:** éteignez TOUJOURS l'appareil et débranchez de la prise d'alimentation avant le nettoyage, l'entretien ou le stockage.

Règlement spécial sur la sécurité

- Utiliser cet appareil uniquement comme décrit dans ce mode d'emploi. A utiliser uniquement à l'intérieur.
- Cet appareil doit être utilisé par du personnel qualifié.
- Lorsque l'appareil est laissé sans surveillance et avant le montage, le démontage et le nettoyage, déconnectez-le obligatoirement de la source d'alimentation en retirant la fiche de la prise murale.
- Pendant le fonctionnement de l'appareil ne dirigez la lame vers quelqu'un d'autre qui se trouve à proximité.
- Pendant le fonctionnement de l'appareil ne touchez pas la lame ou d'autres pièces mobiles. Pendant le fonctionnement de l'appareil ne touchez pas les éléments mobiles avec vos mains ou d'autres ustensiles de cuisine ; attachez vos cheveux.
- Séchez complètement l'appareil et ses accessoires avant de brancher l'appareil à l'alimentation électrique.
- **RISQUE DE LÉSIONS ET DE BLESSURES AUX MAINS!** Manipulez attentivement la lame de l'appareil – elle est tranchante.
- N'ajoutez pas des ingrédients dans un récipient pendant le fonctionnement de l'appareil.
- **ATTENTION:** Débranchez l'appareil de l'alimentation électrique immédiatement après l'utilisation ou avant d'enlever ou de changer d'accessoires.
- Le mélangeur est conçu pour le traitement des produits alimentaires dans un récipient.
- Toutes les interventions d'entretien et d'installation et la réparation de l'appareil doivent être effectuées par les techniciens qualifiés et autorisés.
- **AVERTISSEMENT:** Pendant le fonctionnement de l'appareil ne mettez pas vos mains ou des ustensiles de cuisine dans le récipient en réduisant ainsi le risque de blessures graves et/ou l'endommagement au mélangeur.



- N'utilisez pas l'appareil trop longtemps pour éviter une surchauffe du moteur. L'appareil ne doit pas fonctionner en continu pendant plus de 3 minutes. L'appareil peut être réutilisé lorsqu'il est refroidi.
- Ne nettoyez pas l'appareil avec de l'eau ou avec un fort courant d'eau. Le lavage de l'appareil avec de l'eau peut provoquer la pénétration de l'eau dans des parties électriques et provoquer le choc électrique. Les parties de l'appareil ne peuvent pas être lavées dans le lave-vaisselle.
- Faites passer le câble d'alimentation de sorte que l'appareil ne puisse pas être débranché accidentellement et que personne ne trébuche sur le câble.
- Ne nettoyez pas l'appareil ou ne le rangez pas avant le refroidissement complet.
-  Le mélangeur et un appareil de la IIe classe de protection.

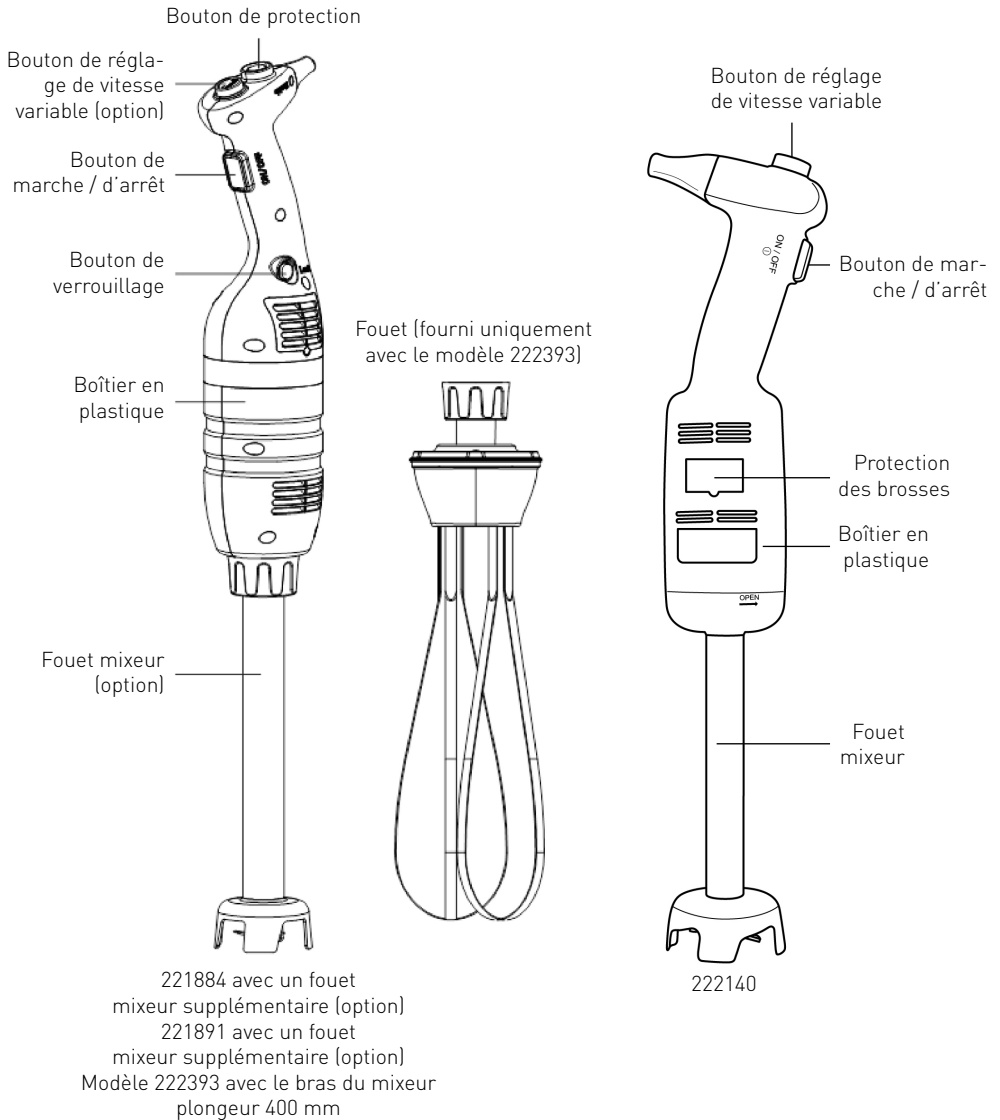
Pour installer sur le mur le support fourni avec le modèle 222393 lisez attentivement les instructions de sécurité suivantes :

- Pour des raisons de sécurité, le montage doit être effectué par un technicien qualifié.
- Avant l'installation, vérifiez que le mur peut supporter la charge totale de l'appareil et de ses accessoires.
- Assurez-vous qu'il n'y a pas de câbles électriques, installations d'eau, de gaz ou d'autres composants à proximité du lieu de l'installation.
- Consultez un entrepreneur qualifié ou un spécialiste de montage si vous n'êtes pas sûr de la structure du mur.
- Serrez les vis. Ne serrez pas trop fort. Un serrage excessif peut endommager les vis et réduire considérablement la stabilité du montage.
- Ne laissez pas les enfants ou les animaux s'approcher au lieu de l'installation.
- **ATTENTION !** Ne placez pas d'autres éléments que l'appareil sur le support pour éviter de surcharger le support.

Utilisation prévue

- L'appareil est destiné à un usage professionnel.
- L'appareil est exclusivement destiné à mixer, émulsionner et mélanger des produits alimentaires chauds et froids pour des fins commerciales. L'appareil sert à préparer des soupes, des purées, des crèmes, de la masse de massepain, du fromage à la crème, etc. directement dans le plat. L'utilisation de l'appareil à d'autres fins peut entraîner des dommages ou des blessures.
- L'utilisation de l'appareil à d'autres fins sera considérée comme une utilisation inappropriée. L'utilisateur sera seul responsable de l'utilisation incorrecte de l'appareil.

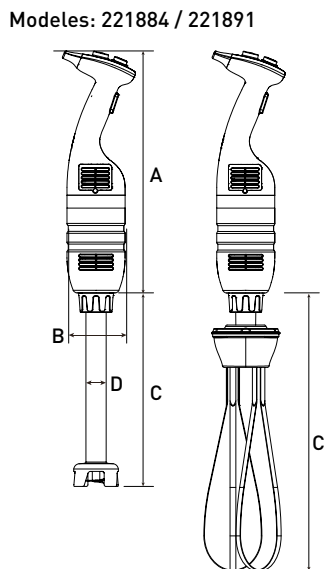
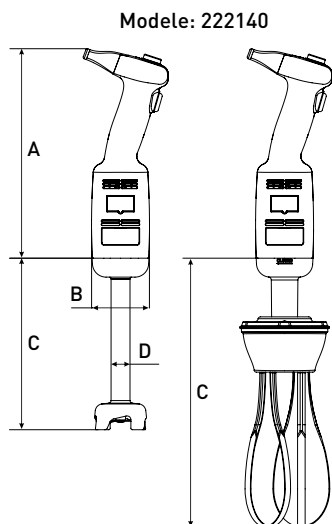
Description du produit



FR



Caracteristiques techniques



Spécification technique

Code	Tension	Puissance	Vitesse	Poids du corps sans fouet mixeur ou battant	A (Longueur)	B (Diamètre)
222140	230 V/50 Hz	220 W	4,000 ~ 20,000 tr./min.	1,15 kg	304 mm	Ø 75 mm
221884	230 V/50 Hz	350 W	4,000 ~ 16,000 tr./min.	2,35 kg	416 mm	Ø 100 mm
221891	230 V/50 Hz	500 W	4,000 ~ 16,000 tr./min.	2,55 kg	416 mm	Ø 100 mm

Note : La spécification technique peut être modifiée sans préavis.

Tableau de combinaison avec le fouet mixeur et le fouet battant. Les accessoires présentés ne sont pas fournis avec le produit.

Code	Poids env.	C (Longueur)	D (Diamètre)	Description
222164	0,81 kg	185 mm	-	Fouet battant pour le modèle 222140 (option)
-	0,52 kg	160 mm	Ø 28 mm	Fouet mixeur pour le modèle 222140 (inclus)
222263	0,86 kg	250 mm	-	Fouet battant pour les modèles 221884 (option) et 221891 (option)
222225	0,82 kg	250 mm	Ø 35 mm	
222232	1,02 kg	300 mm	Ø 35 mm	
222249	1,28 kg	400 mm	Ø 35 mm	Fouet mixeur pour les modèles 221884 (option) et 221891 (option)
222256	1,56 kg	500 mm	Ø 35 mm	

Remarques : Modèle 222393 – l'ensemble comprend 221884 + 222249 + 222263 + support mural + kit de montage (2 kits de vis de fixation, rondelles, boulons expansifs).



Introduction

- Avant d'utiliser l'appareil, lisez attentivement les informations sur le fonctionnement. Il comprend des informations importantes concernant la sécurité de l'utilisateur ainsi que des conseils sur la façon d'utiliser et l'entretien.
- L'appareil est destiné pour un usage professionnel dans des crémeries, des restaurants, des cuisines d'hôtel, pour préparer les glaces, les soupes aux légumes, les purées, les sauces, la farce, la mayonnaise, la pâte aux tomates ou le pesto etc.
- Pour profiter pleinement de l'appareil, lisez attentivement les informations sur ses fonctions.
- L'entretien de l'appareil consiste à réaliser quelques activités simples qui peuvent être effectuées par l'opérateur.
- Pour assurer une longue durée de vie de l'appareil, réduire les coûts de l'utilisation, veuillez respecter les instructions.
- L'appareil a été conçu pour assurer la sécurité de l'utilisation.
- L'élimination des éléments de protection de l'appareil réduira sérieusement la sécurité de l'utilisation de l'appareil.
- Pour assurer la sécurité, veuillez suivre les instructions lors de l'installation et de la connexion de l'appareil au réseau.
- L'appareil doit être installé dans un environnement de travail exempt de toutes matières corrosives.
- La zone de l'installation peut être potentiellement explosive.
- Utilisez uniquement les PIÈCES DE RECHANGE ORIGINALES.
- Le présent mode d'emploi constitue une partie intégrale de l'appareil et il doit être conservé dans un endroit sûr. Les fonctions, les données et les figures du présent mode d'emploi constituent la propriété exclusive du fabricant.
- Les fonctions de l'appareil permettent la préparation de plusieurs types d'aliments dans les plus brefs délais : purées épaisses de légumes, soupes, purée aux pommes de terre, crèmes, gâteaux, mayonnaise, pâte d'amande, fromages crémeux etc.

FR

Préparation au montage mural du support (uniquement le modèle 222393)

Avant le montage: Vérifiez que le support mural n'est pas endommagé et contrôlez l'intégralité des kits de montage (2 kits de vis de fixation, rondelles, boulons expansifs). Si le support est endommagé ou incomplet N'EFFECTUEZ PAS le montage.

Remarque:

- Consultez un entrepreneur qualifié ou un spécialiste si vous n'êtes pas sûr de la structure du mur. Ceci afin d'assurer l'assemblage correct et sûr de l'appareil.
- Pour des raisons de sécurité, le montage doit être effectué par un technicien qualifié.
- La distance entre les vis de fixation doit être d'env. 217 mm. Avant de commencer votre travail, rangez le site d'installation.
- **Informations importantes:** avant le montage, assurez-vous que tous les outils sont disponibles, c'est à dire un tournevis, une perceuse électrique, un mètre pliant, un crayon (non fournis avec l'appareil).
- Le support doit être fixé de manière stable au mur à l'aide de deux vis de fixation et des boulons expansifs.
- N'oubliez pas que dans le lieu de l'installation peuvent se trouver les éléments tels que des conduits, des fils électriques et des tuyaux. Soyez particulièrement prudent pendant l'installation.



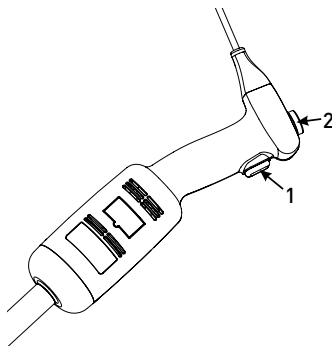
Mode d'emploi (modele 222140):

NOTE! Avant de brancher l'appareil à une source d'alimentation, assurez-vous que les spécifications de l'appareil sur la plaque signalétique correspondent aux paramètres locaux.

NOTE! Le modèle 222140 ne possède pas la fonction de verrouillage permettant le fonctionnement continu e l'appareil.

Fonctionnement de l'appareil:

1. Avant de monter les pièces, assurez-vous que l'appareil n'est pas branché à la source d'alimentation.
2. Installez le fouet mixeur / battant au corps.
3. Vérifiez si le bouton de marche / d'arrêt est désactivé (en position plate).
4. Branchez l'appareil à une source d'alimentation.
5. Ensuite appuyez le bouton de marche / d'arrêt. ATTENTION, l'appareil se met en marche. SOYEZ PRUDENT!
6. Pour débrancher l'appareil, relâchez le bouton de marche / d'arrêt.



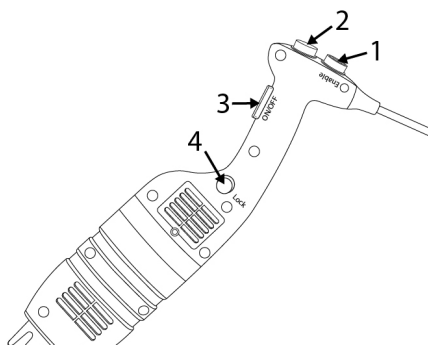
Mode d'emploi (modeles 221884, 221891, 222393):

NOTE! Avant de brancher l'appareil à une source d'alimentation, assurez-vous que les spécifications de l'appareil sur la plaque signalétique correspondent aux paramètres locaux.

NOTE! Les modèles 221884 et 221891 possèdent la fonction de verrouillage permettant le fonctionnement continu e l'appareil.

Demarrage et arrêt de l'appareil

1. Avant de monter les pièces, assurez-vous que l'appareil n'est pas branché à la source d'alimentation.
2. Installez le fouet mixeur / battant au corps.
3. Vérifiez si le bouton de marche / d'arrêt (3) est désactivé (en position plate).
4. Branchez l'appareil à une source d'alimentation.
5. Appuyez d'abord et maintenez le bouton de protection (1).
6. Ensuite appuyez le bouton de marche / d'arrêt. (3) et maintenez-le appuyez simultanément avec le bouton de protection.
7. Lâcher le bouton de sécurité (1), l'appareil continuera à fonctionner.
8. Pour débrancher l'appareil, relâchez le bouton de marche / d'arrêt. (3).



Fonctionnement continu:

Suivez les étapes 1-7 et ensuite:

- En maintenant le bouton ON/OFF (3) dans la position « appuyé », appuyer une fois sur le bouton de verrouillage (4).
- Relâcher le bouton ON/OFF (3) et l'appareil fonctionnera en mode continu.
- Relâchez le bouton le bouton de marche / d'arrêt. (3).

Changement de vitesse (modeles: 222140, 221884, 221891, 222393)

Suivez les étapes 1-7 et ensuite:

- Changez de vitesse en tournant le bouton de réglage (2) vitesse maximale ou minimale (selon le besoin). **Si le fouet battant est utilisé, il est recommandé de démarrer l'appareil à basse vi-**

tesse. Grâce au système de réglage automatique de vitesse, la vitesse sélectionnée est constante, même en cas de changement de texture des ingrédients mélangés.

ATTENTION :

Fonction du mixeur : Afin d'assurer un meilleur contrôle il est recommandé de tenir la poignée du mixeur et la partie inférieure du corps du moteur. Il est également recommandé d'incliner légèrement le mixeur de sorte que l'extrémité du fouet ne touche pas le fond du plat. Vérifiez toujours si le fouet est immergé assez profondément pour éviter les éclaboussures et la pénétration de liquide à travers les trous de ventilation de l'unité du moteur. Afin d'assurer une performance optimale, immergez les deux tiers du fouet dans le produit mélangé.

Fonction de battement : Il est possible de tenir l'appareil d'une seule main et si nécessaire tenir le bol de la deuxième main. En battant les ingrédients, nous recommandons de déplacer le fouet battant pour assurer le battement égal des ingrédients. Veuillez à ne pas toucher les parois du bol par le fouet battant. Afin d'assurer la performance maximale, immerger au moins une cinquième de la longueur du fouet. Ne jamais plonger la poignée.

FR

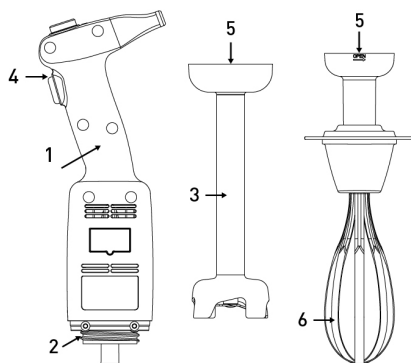


Montage/démontage des pièces de l'appareil

Le montage / le démontage des parties de l'appareil doit être effectué quand l'appareil est arrêté et déconnecté du courant.

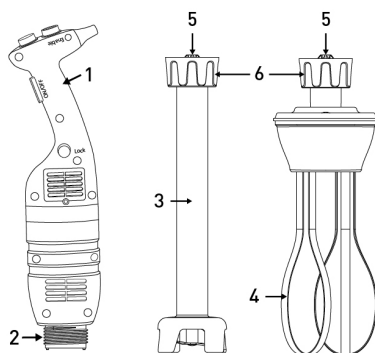
Montage : Modèle 222140:

1. Ajustez et installez le connecteur (5) du fouet mixeur (3) ou du fouet battant (6) dans le connecteur (2) du corps de l'appareil (1).
2. Serrez précisément le fouet mixeur (3) ou battant (6) sur le corps (1).



Montage : Modèles 221884, 221891, 222393:

1. Ajustez et installez le connecteur (5) du fouet mixeur (3) ou battant (6) dans le connecteur (2) du corps de l'appareil (1). Assurez-vous que la partie plus étroite du connecteur est ajustée au côté concave du connecteur du fouet mixeur (3) ou battant (4).
2. Serrez précisément l'écrou (6) sur le corps (1).



Pour démonter les accessoires, réalisez les étapes précédentes dans un ordre inverse.

Instruction de lavage

Avant le nettoyage, débranchez toujours l'appareil de l'alimentation.

- Après avoir utilisé le mixeur à main dans un mélange chaud, refroidissez toujours le fouet à l'eau froide avant d'enlever le fouet. Après avoir fini le travail, laver immédiatement le fouet pour éviter l'adhérence des résidus.
- Ne plongez jamais le moteur ou la poignée dans l'eau, nettoyez-les avec un chiffon humide ou une éponge humide.
- Le nettoyage du fouet mixeur et de l'extrémité : mettre le fouet et l'extrémité dans un récipient approprié rempli avec de l'eau propre et mettre l'appareil en marche pendant quelques secondes.

- **AVERTISSEMENT** : après le lavage, séchez toujours complètement les lames pour éviter la formation des taches de rouille.
- Ne plongez jamais la poignée du fouet battant dans l'eau, nettoyez-le avec un chiffon humide ou une éponge humide.
- Après chaque utilisation, nettoyez l'appareil avec un détergent ou un désinfectant, n'utilisez jamais de l'eau de javel pure. Pour nettoyer les parties en plastique, utilisez les détergents alcalins.



Depannage

Dans le cas de coupure de courant ou de débranchement de l'appareil relâchez le bouton de marche / d'arrêt (n° 3), vérifiez l'alimentation et redémarrez l'appareil.

Si l'appareil est arrêté en raison de la surchauffe, relâchez le bouton d'arrêt / de marche (3) et débranchez l'appareil, attendez quelques minutes et jusqu'à ce que le moteur refroidisse et la protection contre la surchauffe se réinitialise, ensuite redémarrez l'appareil.

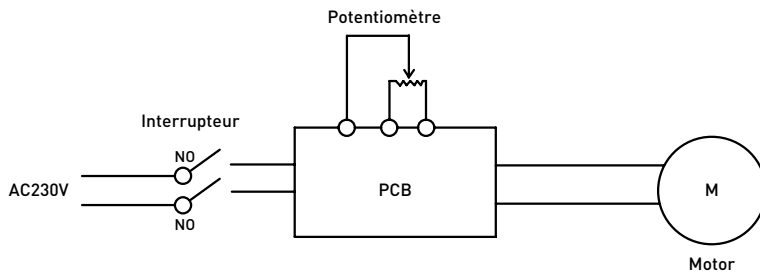
S'il n'est pas possible de déterminer la cause du problème : relâchez le bouton d'arrêt / de marche (3), débranchez l'appareil et vérifiez :

1. la fiche,
2. si les lames sur l'extrémité tournent librement
3. l'état du câble d'alimentation
4. si l'arbre d'entraînement tourne librement en enlevant l'extrémité et en vérifiant manuellement si l'extrémité de l'arbre tourne

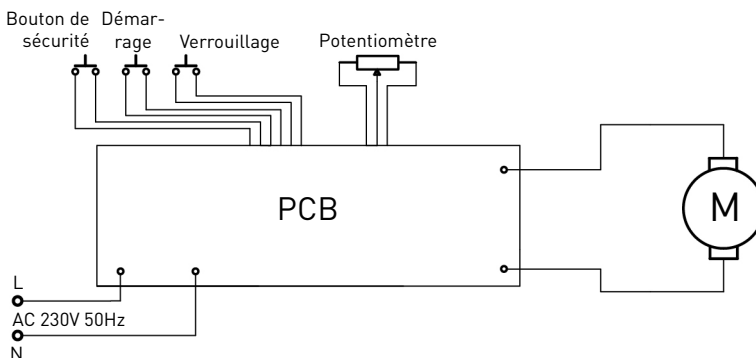
En cas de panne qui n'est pas décrite dans le mode d'emploi, contactez le revendeur ou renvoyez l'appareil au service.

Schema électrique

Modèle 222140

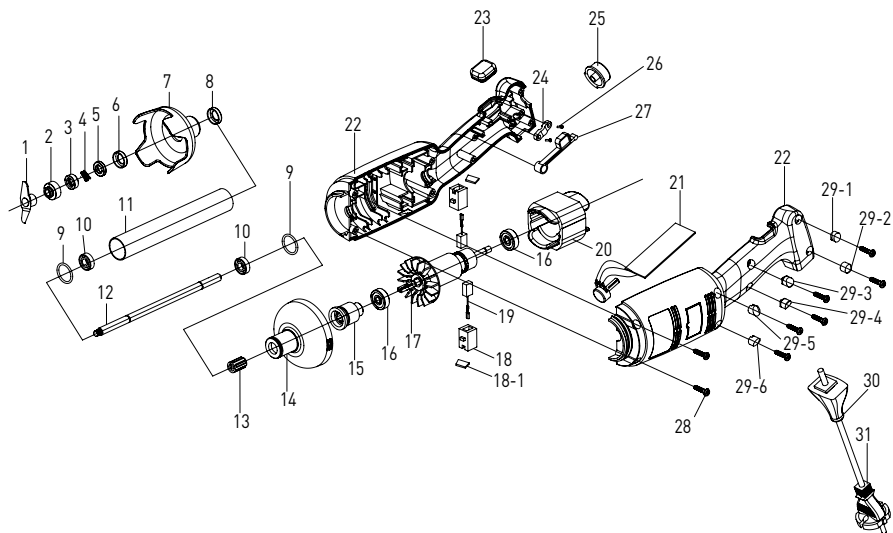


Modèle 221884, 221891, 222393



Dessin éclaté et liste des pièces détachées du modèle 222140

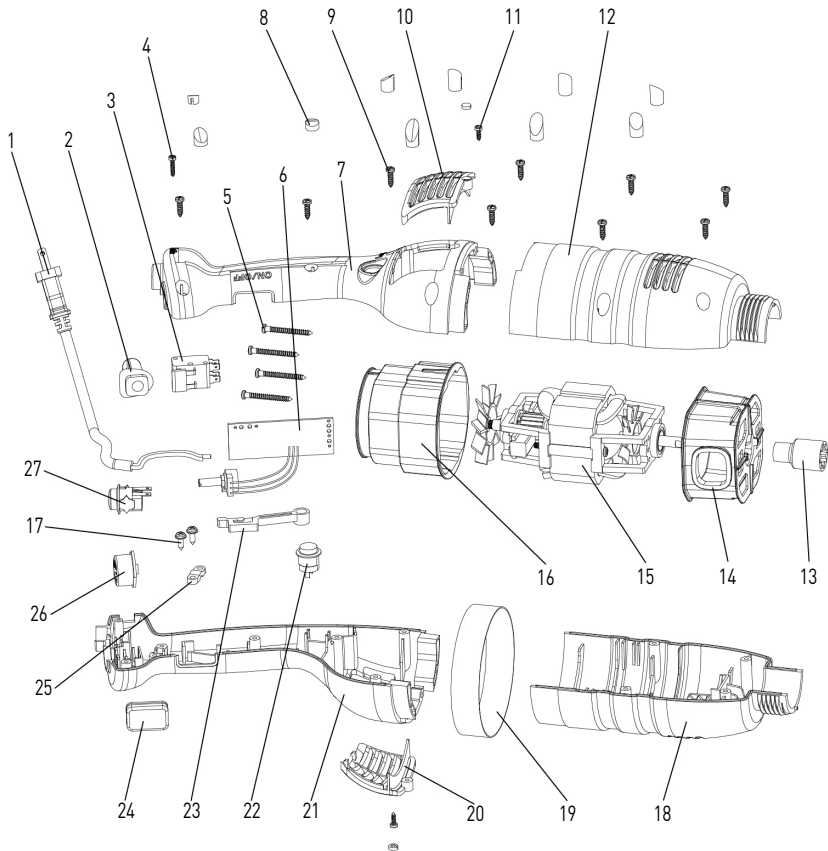
Modèle 222140



Liste des pièces - modèle 222140 du corps et le fouet mixeur

N° de pièce	Nom	N° de pièce	Nom	N° de pièce	Nom
1	Lame	14	Boîtier de la tête en plastique	26	Vis de la barre serrage
2	Anneau concave	15	Manchon cannelé	27	Epine de contact de l'interrupteur
3	Ressort annulaire de graphite	16	Roulement	28	Vis du boîtier
4	Anneau de graphite	17	Turbine	29-1	Tige filetée 28-1
5	Anneau céramique	18	Prise brosse	29-2	Tige filetée 28-2
6	Manchon céramique annulaire	18-1	Protection de la brosse	29-3	Tige filetée 28-3
7	Plaque couvre-lame	19	Brosse	29-4	Tige filetée 28-4
8	Manchon de roulement	20	Stator	29-5	Tige filetée 28-5
9	Anneau d'étanchéité	21	Plaque de commande de vitesse	29-6	Tige filetée 28-6
10	Roulement W688Z	22	Boîtier gauche et droite	30	Protection du câble
11	Manchon en acier inoxydable	23	Protection en caoutchouc contre le verrouillage	31	Câble d'alimentation
12	Manchon	24	Barre de serrage		
13	Languette	25	Bouton de réglage de la vitesse		

Dessin éclaté et liste des pièces détachées des modèles 221884, 221891, 222393 (uniquement le corps)



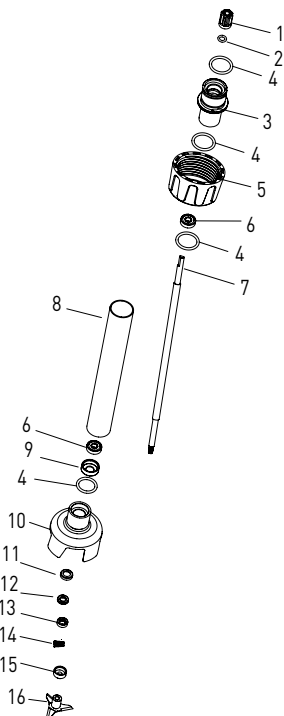
Liste des pièces des modèles 221884, 221891, 222393 (uniquement le corps)

N° de pièce	Nom	N° de pièce	Nom	N° de pièce	Nom
1	Câble d'alimentation	10	Couvercle sortie d'air	19	Anneau
2	Attache câble	11	Śruba listwy dociskowej	20	Couvercle sortie d'air
3	Commutateur	12	Boitier 2	21	Boitier 4
4	Śruba listwy dociskowej	13	Manchon à plusieurs serrages	22	Bouton de verrouillage
5	Śruba listwy dociskowej	14	Protection moteur inférieur	23	Epine de contact de l'interrupteur
6	PCB panneau de configuration (carte électronique)	15	Moteur	24	Logement de l'interrupteur
7	Boitier 1	16	Protection moteur supérieur	25	Barre de serrage
8	Tige filetée	17	Śruba listwy dociskowej	26	Bouton de réglage de la vitesse
9	Śruba listwy dociskowej	18	Boitier 3	27	Bouton de protection

FR



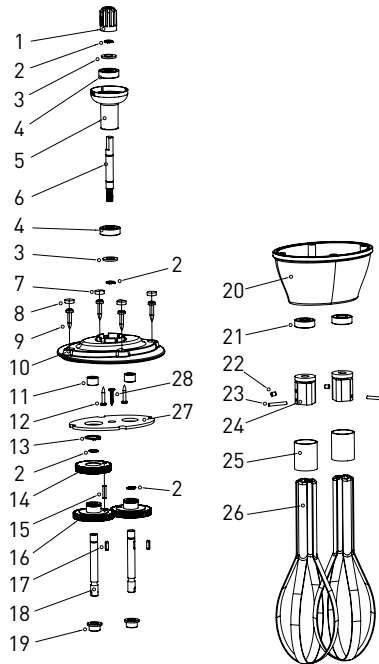
Fouets mixeurs (option) pour les modeles 221884, 221891



Liste des pieces – fouets mixeurs (options): 222225, 222232, 222249, 222256

N° de pièce	Nom	N° de pièce	Nom	N° de pièce	Nom
1	Manchon à plusieurs serrages	7	Manchon de délivrance (en fonction du modèle)	13	Anneau céramique
2	Anneau d'étanchéité du manchon	8	Manchon en acier inoxydable 304 (en fonction du modèle)	14	Ressort de graphite annulaire
3	Manchon de raccordement	9	Manchon de roulement	15	Anneau concave
4	Anneau d'étanchéité du manchon de raccordement	10	Protection de la lame	16	Lame
5	Manchon de fixation	11	Manchon céramique		
6	Roulement 608	12	Anneau céramique annulaire		

Fouet battant (option) du modele 222140



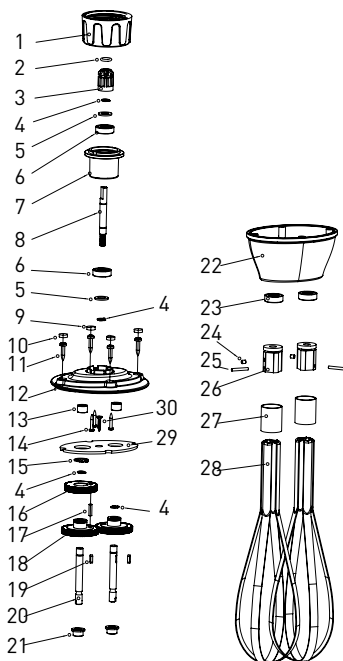
FR

Liste des pièces – fouet mixeur (option) : modele 222164

N° de pièce	Nom	N° de pièce	Nom	N° de pièce	Nom
1	Manchon à plusieurs serrages	11	Roulement à aiguilles	21	Joint d'étanchéité d'huile
2	Anneau élastique Ø8	12	Vis	22	Vis M4x5
3	Joint d'étanchéité du roulement	13	Anneau élastique Ø16	23	Goujon cylindrique
4	Roulement	14	Roulement de l'engrenage à vis sans fin	24	Barre fixe
5	Manchon de raccordement	15	Goujon cylindrique	25	Anneau en acier
6	Roulement de l'engrenage à vis sans fin	16	Transmission simple	26	Montant en acier
7	Tige filetée 2	17	Bouton	27	Tamis
8	Tige filetée 1	18	Manchon de délivrance	28	Vis
9	Vis du boîtier	19	Manchon du fouet		
10	Couvercle supérieur	20	Couvercle intérieur		



Fouets battants (option) des modes 221884, 221891



FR

Liste des pièces – fouet mixeur (option) : modèle 222263

N° de pièce	Nom	N° de pièce	Nom	N° de pièce	Nom
1	Manchon de fixation	11	Vis du boîtier	21	Manchon du fouet
2	Anneau d'étanchéité du manchon à plusieurs serrages	12	Couvercle supérieur	22	Couvercle intérieur
3	Manchon à plusieurs serrages	13	Roulement à aiguilles	23	Joint d'étanchéité d'huile
4	Anneau élastique Ø8	14	Vis	24	Vis M4x5
5	Joint d'étanchéité d'huile	15	Anneau élastique Ø16	25	Goujon cylindrique
6	Roulement	16	Roulement de l'engrenage à vis sans fin	26	Barre fixe
7	Manchon de raccordement	17	Goujon cylindrique	27	Anneau en acier
8	Roulement de l'engrenage à vis sans fin	18	Transmission simple	28	Montant en acier
9	Tige filetée 2	19	Bouton	29	Tamis
10	Tige filetée 1	20	Manchon de délivrance	30	Vis



Garantie

Tout vice ou toute défaillance entraînant un dysfonctionnement de l'appareil qui se déclare dans les 12 mois suivant la date de l'achat sera éliminé à titre gratuit ou l'appareil sera remplacé par un appareil nouveau si le premier a été dûment exploité et entretenu conformément aux termes de la notice d'exploitation et s'il n'a pas été indûment exploité ou de manière non conforme à sa destination. La présente stipulation ne porte pas de préjudice aux autres droits de l'utilisateur prévus par les dispositions légales. Dans le cas où l'appareil est donné à la réparation ou doit être remplacé

dans le cadre de la garantie, il y a lieu de spécifier le lieu et la date de l'achat de l'appareil et produire un justificatif nécessaire (par ex. facture ou ticket de caisse).

Conformément à notre politique d'amélioration permanente de nos produits, nous nous réservons le droit d'introduire sans avertissement préalable des modifications à l'appareil, à l'emballage et aux caractéristiques techniques précisées dans la documentation.

Élimination et protection de l'environnement

En cas de retrait du produit de l'exploitation l'appareil ne peut pas être jeté avec d'autres déchets ménagers. L'utilisateur est responsable de la remise de l'équipement au point de collecte approprié pour l'équipement usagé. Le non-respect des dispositions ci-dessus peut entraîner les pénalités conformément à la réglementation applicable en matière d'élimination des déchets. La collecte sélective et le recyclage des équipements usagés contribuent à la conservation des ressources natu-


relles et assurent un recyclage sans danger pour la santé et l'environnement.

Pour plus d'informations sur les endroits de collecte des équipements usagés pour le recyclage, contactez la société de collecte des déchets locale. Le producteur et l'importateur ne sont pas responsables du recyclage et du traitement des déchets d'une manière respectueuse de l'environnement directement et dans le système public.



Grazie per aver acquistato questo apparecchio HENDI. Leggere attentamente questo manuale, prestando particolare attenzione alle norme di sicurezza descritte di seguito, prima di installare e utilizzare questo apparecchio per la prima volta.

Norme di sicurezza

- Questo apparecchio è destinato all'uso commerciale.
- Utilizzare l'apparecchio solo per lo scopo previsto per il quale è stato progettato come descritto nel presente manuale.
- Il produttore non è responsabile per eventuali danni causati da un funzionamento scorretto e da un uso improprio.
- Tenere l'apparecchio e la spina elettrica lontano da acqua e altri liquidi. Nel caso in cui l'apparecchio cada in acqua, rimuovere immediatamente la spina di alimentazione dalla presa. Non utilizzare l'apparecchio fino a quando non è stato controllato da un tecnico certificato. Il mancato rispetto di queste istruzioni causerà rischi pericolosi per la vita.
- Non tentare mai di aprire l'alloggiamento dell'apparecchio da soli.
- Non inserire oggetti nell'alloggiamento dell'apparecchio.
- Non toccare la spina con le mani bagnate o umide.
-  **PERICOLO DI SCOSSE ELETTRICHE!** Non tentare di riparare l'apparecchio da solo, le riparazioni devono essere eseguite solo da personale qualificato.
- **Non utilizzare mai un apparecchio danneggiato!** Quando è danneggiato, scollegare l'apparecchio dalla presa e contattare il rivenditore.
- **AVVERTIMENTO!** Non immergere le parti elettriche dell'apparecchio in acqua o altri liquidi.
- Non tenere mai l'apparecchio sotto l'acqua corrente.
- Controllare regolarmente la spina e il cavo di alimentazione per eventuali danni. Se danneggiato, deve essere sostituito da un agente di servizio o da una persona altrettanto qualificata al fine di evitare pericoli o lesioni.
- Assicurarsi che il cavo non entri in contatto con oggetti appuntiti o caldi e tenerlo lontano dal fuoco aperto. Non tirare mai il cavo di alimentazione per scollegarlo dalla presa, staccare sempre la spina.
- Assicurarsi che il cavo di alimentazione e/o la prolunga non causino rischi di inciampare.
- Non lasciare mai l'apparecchio incustodito durante l'uso.
- **AVVERTIMENTO!** Finché la spina si trova nella presa, l'apparecchio è collegato alla fonte di alimentazione.
- Spegnerne l'apparecchio prima di scollegarlo dalla presa.
- Collegare la spina di alimentazione a una presa elettrica facilmente accessibile in modo che in caso di emergenza l'apparecchio possa essere scollegato immediatamente.
- Non portare mai l'apparecchio con il cavo.
- Non utilizzare dispositivi aggiuntivi non forniti insieme all'apparecchio.
- Collegare l'apparecchio a una presa elettrica solo con la tensione e la frequenza indicati sull'etichetta dell'apparecchio.

- Non utilizzare mai accessori diversi da quelli consigliati dal produttore. In caso contrario, potrebbe comportare un rischio per la sicurezza dell'utente e danneggiare l'apparecchio. Utilizzare solo parti e accessori originali.
- Questo apparecchio non deve essere utilizzato da persone con capacità fisiche, sensoriali o mentali ridotte o da persone che hanno una mancanza di esperienza e conoscenze.
- Questo apparecchio non deve, in nessun caso, essere utilizzato dai bambini.
- Tenere l'apparecchio e il suo cavo di alimentazione fuori dalla portata dei bambini.
- **ATTENZIONE:** spegnere SEMPRE l'apparecchio e scollegarlo dalla presa di corrente prima della pulizia, della manutenzione o della conservazione.

Norme speciali di sicurezza

- Utilizzare l'apparecchio solo come descritto nel presente manuale. Solo per uso interno.
- Questo apparecchio deve essere utilizzato da personale qualificato.
- Quando l'apparecchio è lasciato incustodito e prima del montaggio, smontaggio o pulizia, scollegarlo dalla presa di corrente togliendo la spina dalla presa di corrente.
- Durante il funzionamento dell'apparecchio non dirigere la lama verso le persone in prossimità.
- Durante il funzionamento dell'apparecchio non toccare la lama o altre parti in movimento. Non toccare gli elementi in movimento con le mani o con altri utensili da cucina. Legare i capelli.
- Asciugare completamente l'apparecchio e i suoi accessori prima di collegare alla rete di alimentazione o prima di montare gli accessori.
- **PERICOLO DI LESIONI O DANNI ALLE MANI!** Manipolare con attenzione la lama – la lama è molto tagliente.
- Non aggiungere ingredienti ad un recipiente durante il funzionamento dell'apparecchio.
- **ATTENZIONE:** L'apparecchio deve essere scollegato dalla rete elettrica subito dopo l'uso e prima di rimuovere o cambiare gli accessori.
- Il frullatore è destinato per trasformare i prodotti alimentari in un contenitore.
- Tutte le operazioni di manutenzione, di installazione e la riparazione dell'apparecchio devono essere eseguite da un personale tecnico, qualificato o autorizzato.
- **AVVERTENZA:** Durante il funzionamento dell'apparecchio non mettere le mani o gli utensili da cucina nel contenitore, riducendo così il rischio di lesioni gravi e/o i danni al frullatore.
- Non utilizzare l'apparecchio per molto tempo per evitare il surriscaldamento. L'apparecchio non deve funzionare in modo continuo per più di 3 minuti. L'apparecchio può essere riutilizzato dopo il raffreddamento.
- Non lavare l'apparecchio con acqua o un forte getto di acqua. La pulizia dell'apparecchio con l'acqua può causare la penetrazione nei componenti elettrici e causare una scossa elettrica. Le parti dell'apparecchio non possono essere lavate in lavastoviglie.
- Far scorrere il cavo di alimentazione in modo per impedire il tiro accidentale o l'intervento del cavo.
- Non pulire l'apparecchio o stoccarlo in deposito prima di raffreddamento completo.



-  Il frullatore è un apparecchio della II classe di protezione.

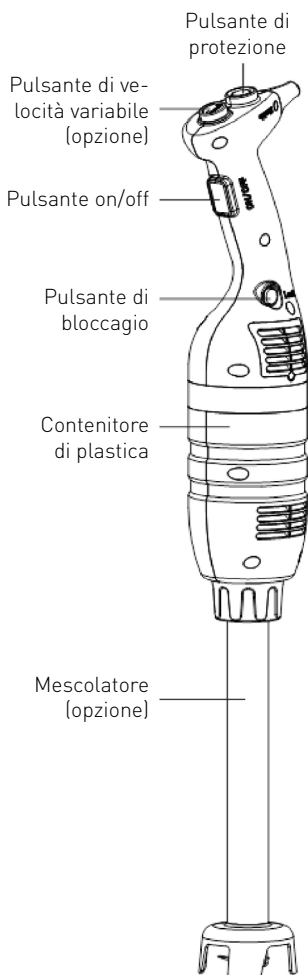
Per installare sul muro il supporto fornito col modello 222393 leggere attentamente le seguenti istruzioni di sicurezza:

- Per motivi di sicurezza, il montaggio deve essere eseguito da un tecnico qualificato.
- Prima dell'installazione verificare che la parete sia in grado di sostenere il peso dell'apparecchio.
- Accertarsi che non ci siano fili elettrici, collegamenti per acqua, gas o altri componenti vicino al luogo di installazione.
- Consultare un appaltatore o uno specialista qualificato se non si è sicuri della struttura della parete.
- Stringere le viti. Non stringere troppo. Un serraggio eccessivo può danneggiare le viti, riducendo significativamente la stabilità del montaggio.
- Non lasciare i bambini e gli animali avvicinarsi al luogo del montaggio.
- **AVVERTIMENTO!** Non posizionare sul supporto oggetti diversi dall'apparecchio per evitare di sovraccaricarlo.

Uso previsto

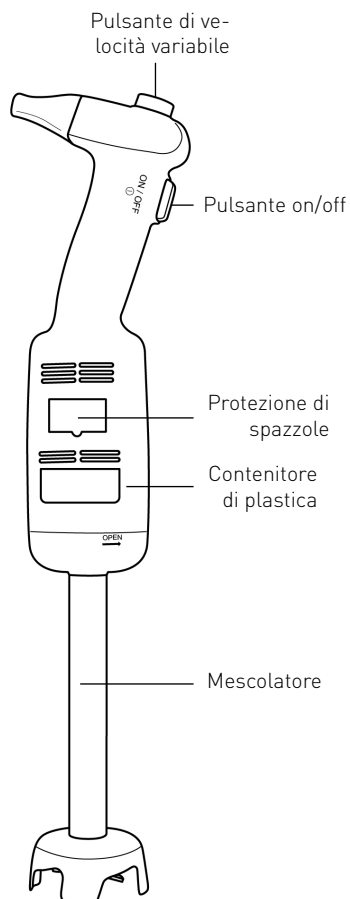
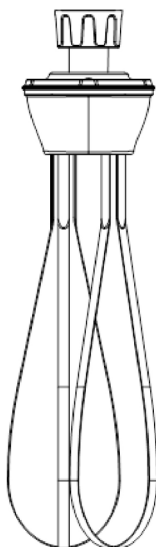
- Il dispositivo è destinato all'uso professionale.
- L'apparecchio è concepito esclusivamente per passare, emulsionare e miscelare prodotti alimentari caldi e freddi per scopi commerciali. L'apparecchio è utilizzato per preparare zuppe, puree, creme, pasta di marzapane, crema di formaggio, ecc. direttamente nel piatto. L'uso dell'apparecchio per qualsiasi altro scopo può causare danni o lesioni.
- L'uso del dispositivo per qualsiasi altro scopo sarà considerato un uso improprio. L'utente sarà l'unico responsabile per l'uso scorretto del dispositivo.

Descrizione del prodotto

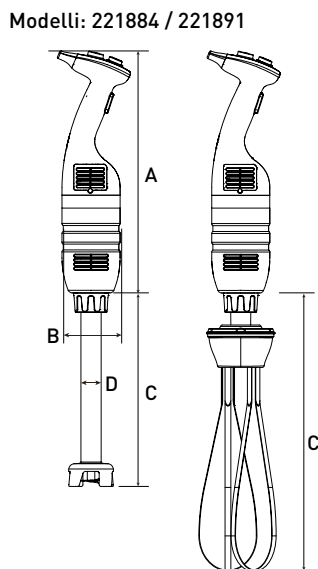
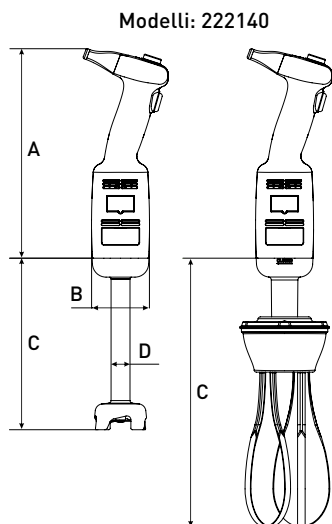


221884 con mescolatore supplementare (opzione)
221891 con mescolatore supplementare (opzione)
Modello 222393 con un braccio di frullatore 400 mm

Frusta (inclusa solo al modello 222393)



Parametri tecnici principali



Specificazione tecnica

Codice	Tensione	Potenza	Velocità	Peso del corpo senza mescolatore o frullatore	A (Lunghezza)	B (Diameter)
222140	230 V/50 Hz	220 W	4,000 ~ 20,000 giri/min.	1,15 kg	304 mm	Ø 75 mm
221884	230 V/50 Hz	350 W	4,000 ~ 16,000 giri/min.	1,35 kg	416 mm	Ø 100 mm
221891	230 V/50 Hz	500 W	4,000 ~ 16,000 giri/min.	1,55 kg	416 mm	Ø 100 mm

Nota: La specificazione tecnica può essere modificata senza preavviso.

Tabella di combinazione con il collegamento del mescolatore e la frusta.

Gli accessori indicato non sono forniti con il prodotto.

Codice	Peso circa	C (Lunghezza)	D (Diameter)	Descrizione
222164	0,81 kg	185 mm	-	Frusta per il modello 222140 (opzione)
-	0,52 kg	160 mm	Ø 28 mm	Mescolatore per il modello 222140 (fornito col prodotto)
222263	0,86 kg	250 mm	-	Frusta 221884 (opzione) e 221891 (opzione)
222225	0,82 kg	250 mm	Ø 35 mm	
222232	1,02 kg	300 mm	Ø 35 mm	Mescolatore per i modelli 221884 (opzione) e 221891 (opzione)
222249	1,28 kg	400 mm	Ø 35 mm	
222256	1,56 kg	500 mm	Ø 35 mm	

Nota: Modello 222393 - il set - comprende 221884 + 222249 + 222263 + supporto murale + kit di montaggio (2 set di viti di fissaggio, rondelle e tasselli a espansione).



Introduzione

- Leggere attentamente le istruzioni d'uso. Le istruzioni contengono le informazioni importanti relative alla sicurezza dell'utente nonché i consigli su come utilizzare l'apparecchio e sulla sua manutenzione.
- L'apparecchio è progettato per l'uso professionale in gelaterie, ristoranti, cucine negli alberghi per preparare gelato, zuppe di verdure, purè salse, ripieno, maionese, pasta di pomodoro, pesto ecc.
- Per approfittare completamente delle possibilità dell'apparecchio, è necessario leggere attentamente le informazioni sulle sue funzioni.
- La manutenzione consiste in realizzare semplici attività che possono essere eseguite dall'operatore.
- Per garantire lunga durata dell'apparecchio e ridurre i costi del funzionamento si prega di seguire le istruzioni.
- L'apparecchio è stato progettato da produttore in modo che garantisca la sicurezza dell'utilizzo. Lo smontaggio delle protezioni installate dal produttore ridurrà seriamente la sicurezza dell'apparecchiatura.
- Per garantire la sicurezza, è necessario seguire le istruzioni per l'installazione e la connessione dell'apparecchio alla rete.
- L'apparecchio deve essere installato in un ambiente di lavoro privo di fattori corrosivi.
- La zona di installazione non può essere potenzialmente esplosiva.
- Utilizzare solo i PEZZI DI RICAMBIO ORIGINALI.
- Le presenti istruzioni d'uso costituiscono parte integrale dell'apparecchio e devono essere messe in un luogo sicuro. Le funzioni, le specifiche e le figure presentate in questo documento sono la proprietà esclusiva del costruttore.
- Le funzioni dell'apparecchio consentono di preparare i seguenti tipi di cibo nel più breve tempo possibile: passate di verdure dense, zuppe, purè di patate, creme, dolci, maionese, pasta di mandorle, formaggi cremosi ecc.

Preparazione al montaggio del supporto su parete (solo il modello 222393)

Prima del montaggio: Controllare che il supporto murale non presenti danni e che i kit di montaggio sono completi (2 set di viti di fissaggio, rondelle e tasselli a espansione). Se il supporto murale è danneggiato o incompleto, NON INSTALLARE.

Attenzione:

- Consultare un appaltatore o uno specialista qualificato se non si è sicuri della struttura della parete. Questo per garantire il corretto e sicuro assemblaggio dell'apparecchio.
- Per motivi di sicurezza, il montaggio deve essere eseguito da un tecnico qualificato.
- La distanza tra i fori per le viti di montaggio dovrebbe essere di circa 217 mm. Prima di iniziare il lavoro, ordinare il sito di installazione.
- **Informazioni importanti:** prima del montaggio, assicurarsi che tutti gli utensili siano disponibili, come un cacciavite, un trapano elettrico, un misurino, una matita (non forniti con l'apparecchio).
- Il supporto deve essere fissato sicuramente al muro con due viti di fissaggio e tasselli a espansione.
- Si deve ricordare che nell'area di assemblaggio ci possono essere elementi come per esempio condotti, cavi elettrici e tubi. Prestare particolare attenzione durante il montaggio.



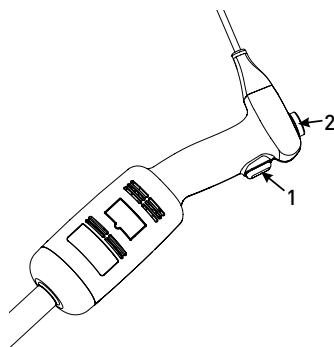
Istruzioni d'uso (modello 222140):

NOTA! Prima di collegare l'apparecchio a una fonte di alimentazione, assicurarsi che le specifiche dell'apparecchio sulla targhetta corrispondono ai parametri locali.

NOTA! Il modello 222140 non possiede la funzione di bloccaggio che permette il funzionamento ininterrotto dell'apparecchio.

USO DELL'APPARECCHIO:

1. Prima di montare le parti, assicurarsi che l'apparecchio è collegato a una fonte di alimentazione.
2. Collegare il mescolatore / la frusta al corpo.
3. Verificare che il pulsante on/off è disattivato (posizione piatta).
4. Collegare l'apparecchio a una fonte di alimentazione.
5. Poi premere il pulsante on/off. L'apparecchio si avvia. FARE ATTENZIONE!
6. Per arrestare il frullatore, rilasciare il pulsante on/off



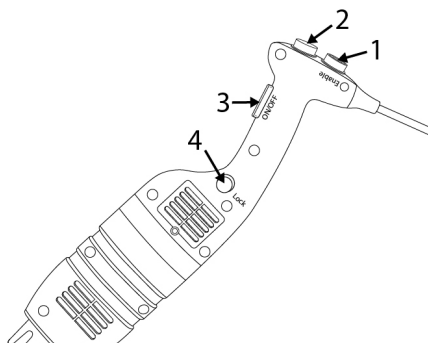
Istruzioni d'uso (modelli: 221884, 221891, 222393):

NOTA! Prima di collegare l'apparecchio a una fonte di alimentazione, assicurarsi che le specifiche dell'apparecchio sulla targhetta corrispondono ai parametri locali.

NOTA! Il modelli 221884 e 221891 possiedono la funzione di bloccaggio che permette il funzionamento ininterrotto dell'apparecchio.

AVVIO E ARRESTO DELL'APPARECCHIO

1. Prima di montare le parti, assicurarsi che l'apparecchio è collegato a una fonte di alimentazione.
2. Collegare il mescolatore / la frusta al corpo.
3. Verificare che il pulsante on/off (3) è disattivato (posizione piatta).
4. Collegare l'apparecchio a una fonte di alimentazione.
5. Prima premere e tenere premuto il pulsante di protezione (1).
6. Poi premere e tenere premuto il pulsante on/off (3) contemporaneamente con il pulsante di protezione. L'apparecchio si avvia. FARE ATTENZIONE!
7. Rilasciare il pulsante di sicurezza (1), l'apparecchio continuerà a funzionare.
8. Per arrestare il funzionamento dell'apparecchio, rilasciare il pulsante on/off (3).



LAVORO CONTINUO:

Seguire i punti 1-7, e poi:

- Con il pulsante ON / OFF (3) sono in posizione "premuta". Premere il pulsante di blocco (4) una volta.
- Rilasciare il pulsante ON / OFF (3) e l'apparecchio continuerà a funzionare in modalità continua.
- Per arrestare l'apparecchio, premere e rilasciare il pulsante on/off. (3).

Cambio di velocità (modelli: 222140, 221884, 221891, 222393)

Seguire i punti 1-7, e poi:

- Modificare la velocità del motore girando la manopola di velocità (2) verso la velocità massima o minima (secondo la sua discrezione). **Se si utilizza la frusta, si consiglia di avviare l'apparecchio**

a bassa velocità. Grazie al sistema automatico di regolazione della velocità, la velocità selezionata rimane costante anche in caso di cambiamento di consistenza di ingredienti misti.

ATTENZIONE :

Funzione mescolatore: Per garantire un migliore controllo, si consiglia di tenere la maniglia del frullatore e la parte inferiore del corpo del motore. Si raccomanda anche inclinare leggermente il frullatore perché l'estremità del mescolatore non tocchi il fondo del piatto. Controllare sempre se il

mescolatore è immerso abbastanza in profondità per evitare schizzi e la penetrazione del liquido attraverso i fori di ventilazione del motore. Per garantire l'efficienza massima, immergere due terzi del mescolatore nella miscela.

Funzione frusta: È anche possibile tenere l'apparecchio con una mano e poi, con la seconda mano, tenere la ciotola. Si raccomanda spostare la frusta intorno la ciotola per garantire la compattazione uniforme della massa. Fare attenzione a non toc-

care i lati della ciotola con la frusta. Per garantire l'efficienza massima, immergere almeno un quinto della lunghezza della frusta nella miscela. Non immergere la maniglia.

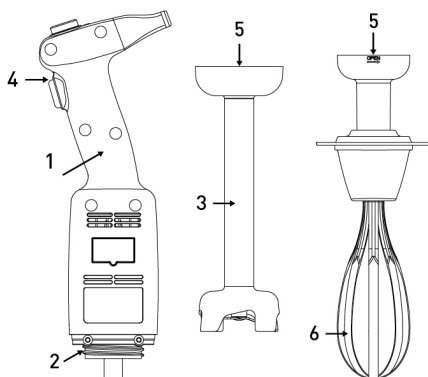


Montaggio/smontaggio delle parti dell'apparecchio

Il montaggio / lo smontaggio delle parti dell'apparecchio deve essere eseguito con l'apparecchio spento e scollegato dalla rete elettrica.

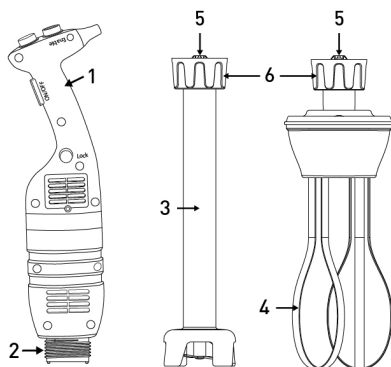
Montaggio: Modello 222140:

1. Regolare e mettere il raccordo (5) del mescolatore (3) o della frusta (6) nel raccordo (2) del corpo dell'apparecchio (1).
2. Stringere esattamente il mescolatore (3) o la frusta (6) al corpo (1).



Montaggio: Modelli 221884, 221891, 222393:

1. Regolare e mettere il raccordo (5) del mescolatore (3) o della frusta (4) nel raccordo (2) del corpo dell'apparecchio (1). Assicurarsi che la parte più stretta del raccordo dell'apparecchio è bene aggiustata alla parte concava del raccordo del mescolatore (3) o della frusta (4).
2. Stringere esattamente il dado (6) al corpo (1).



Per smontare gli accessori, eseguire la procedura in ordine inverso.

Istruzioni di lavaggio

Prima della pulizia, scollegare sempre l'apparecchio dalla fonte di alimentazione.

- Dopo aver utilizzato il frullatore manuale in una miscela calda, raffreddare il braccio in acqua fredda prima di rimuovere l'estremità del braccio. Dopo aver finito il lavoro, lavare immediatamente il braccio per impedire l'adesione di residui.
- Mai immergere il motore o la maniglia in acqua, pulire con un panno umido o una spugna umida.
- Pulizia del mescolatore e dell'estremità: mettere il mescolatore e l'estremità in un contenitore

adatto riempito di acqua pulita e accendere l'apparecchio per alcuni secondi.

- **AVVERTIMENTO:** Dopo il lavaggio sempre asciugare accuratamente le lame per prevenire la formazione di macchie di ruggine.
- Mai immergere la maniglia della frusta in acqua, pulire con un panno umido o una spugna.
- Dopo ogni utilizzo pulire l'apparecchio con un detergente o disinfettante, non utilizzare candeggiante puro. Per la pulizia delle parti di plastica non utilizzare detersivi alcalini.

Risoluzione dei problemi

In caso di interruzione di alimentazione o disconnessione dell'apparecchio, rilasciare il pulsante on/off (3) e controllare l'alimentazione, poi riavviare l'apparecchio.

Se l'apparecchio è spento a causa di un surriscaldamento, rilasciare il pulsante on/off (3), scollegare il cavo di alimentazione, attendere alcuni minuti fino a quando il motore si è raffreddato e la protezione contro il surriscaldamento si ripristina, poi avviare l'apparecchio.

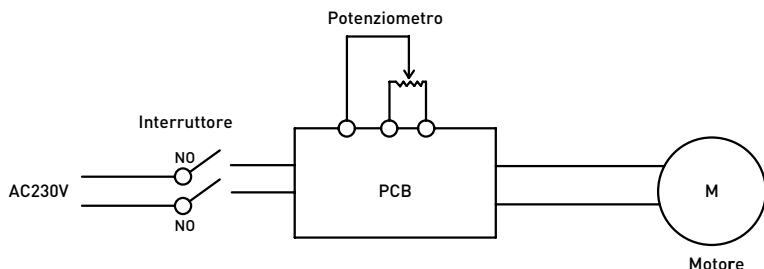
Se non è possibile determinare la causa del problema: rilasciare il pulsante on/off (3) scollegare l'apparecchio di alimentazione e controllare:

1. la spina,
2. se le lame nell'estremità ruotano liberamente,
3. lo stato del cavo di alimentazione,
4. se l'albero di motore ruota liberamente. Per questo, togliere l'estremità di calice e controllare manualmente se l'estremità dell'albero si muove.

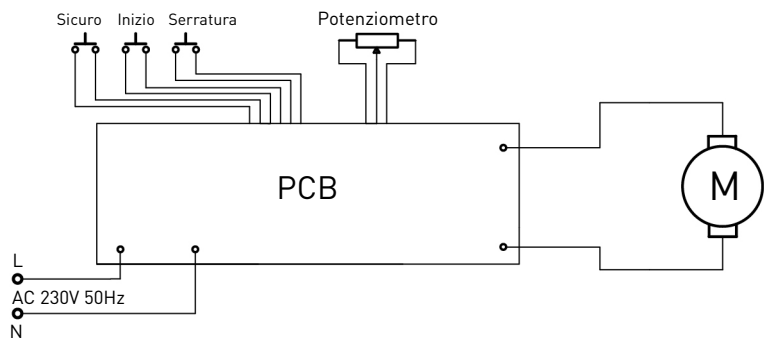
In caso di difetti non descritti nelle presenti istruzioni, prendere un contatto con il venditore o trasmettere l'apparecchio ad un centro di servizio.

Schema elettrico

Modello 222140

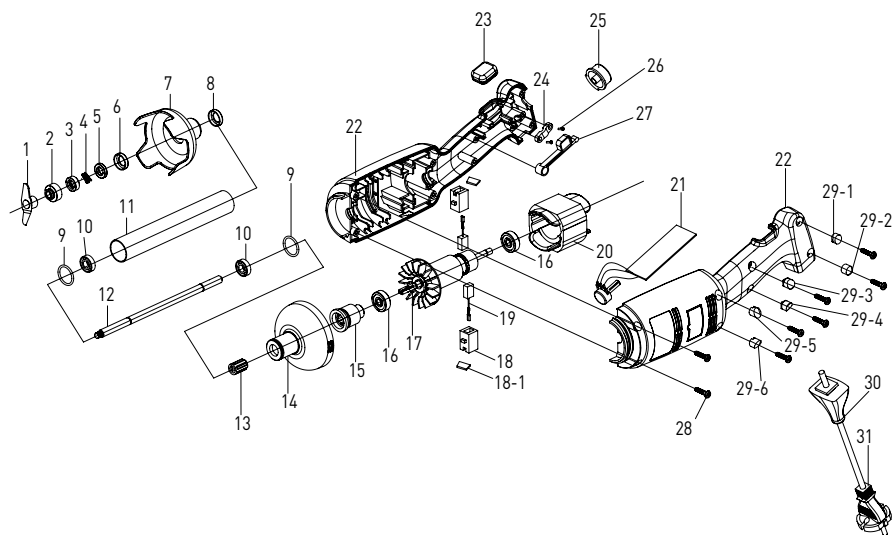


Modelli 221884, 221891, 222393



Disegno esploso e elenco dei pezzi del modello 222140

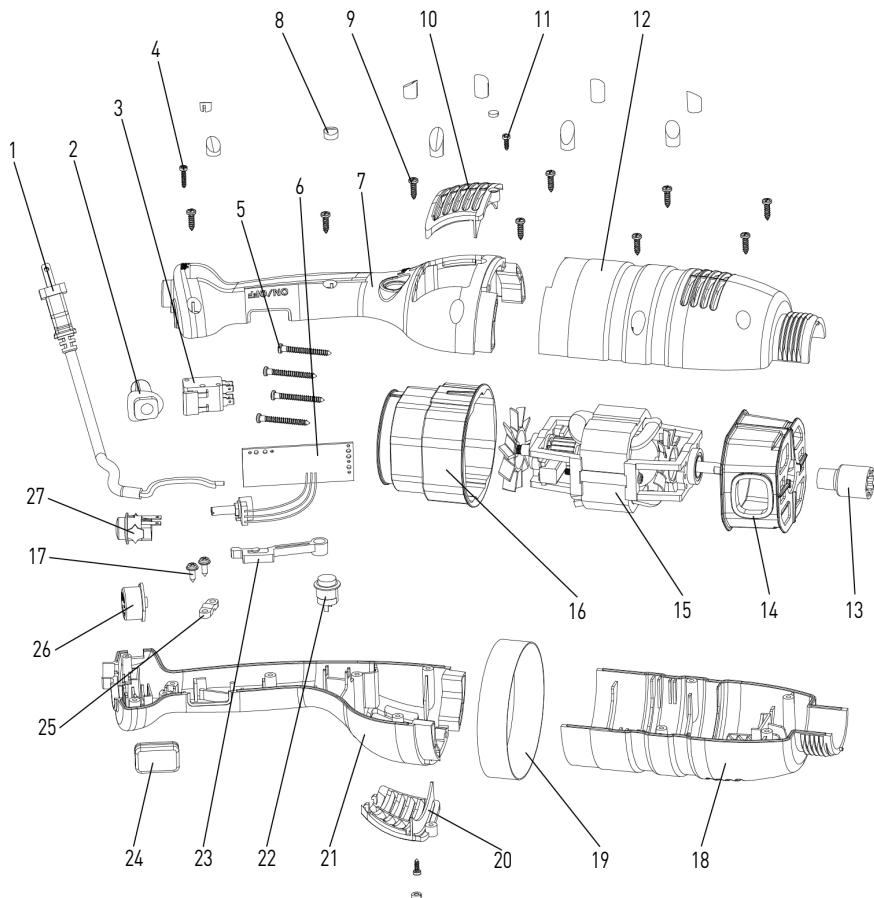
Modello 222140



Elenco dei pezzi - modello 222140 corpo e mescolatore

N. del pezzo	Nome	N. del pezzo	Nome	N. del pezzo	Nome
1	Lama	14	Contenitore della testa di plastica	26	Vite della barra di serratura
2	Anello concavo	15	Mandrino scanalato	27	Stelo di contatto dell'interruttore
3	Molla annullare di grafite	16	Cuscinetto	28	Vite del contenitore
4	Anello di grafite	17	Rotore	29-1	Alberino filettato 28-1
5	Anello ceramico	18	Portaspazzole	29-2	Alberino filettato 28-2
6	Mandrino annullare ceramico	18-1	Protezione della spazzola	29-3	Alberino filettato 28-3
7	Protezione della lama	19	Spazzola	29-4	Alberino filettato 28-4
8	Mandrino di cuscinetto	20	Statore	29-5	Alberino filettato 28-5
9	Anello di tenuta	21	Piastra di controllo di velocità	29-6	Alberino filettato 28-6
10	Cuscinetto W688Z	22	Contenitore destro e sinistro	30	Protezione del cavo
11	Mandrino di acciaio inox	23	Protezione di gomma contro bloccaggio	31	Cavo di alimentazione
12	Mandrino di distribuzione	24	Barra di serratura		
13	Linguetta	25	Pulsante di velocità		

Disegno esploso e elenco dei pezzi dei modelli 221884, 221891, 222393 (unicamente corpo)

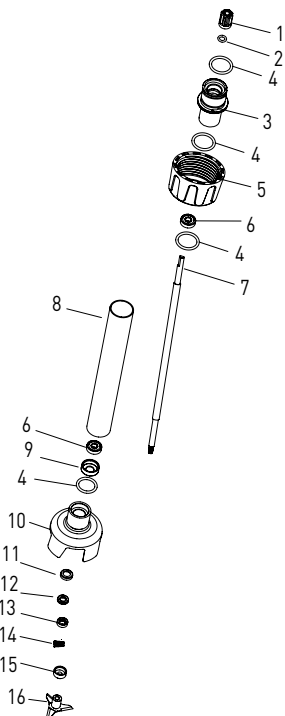


Elenco dei pezzi dei modelli 221884, 221891, 222393 (unicamente corpo)

N. del pezzo	Nome	N. del pezzo	Nome	N. del pezzo	Nome
1	Cavo di alimentazione	10	Coperchio di uscita dell'aria	19	Squillare
2	Fascetta	11	Vite della barra di serratura	20	Coperchio di uscita dell'aria
3	Interruttore	12	Alloggiamento 2	21	Alloggiamento 4
4	Vite della barra di serratura	13	Mandrino scanalato	22	Pulsante di bloccaggio
5	Vite della barra di serratura	14	Coperchio motore inferiore	23	Stelo di contatto dell'interruttore
6	Pannello di controllo PCB	15	Motore	24	Presca dell'interruttore
7	Alloggiamento 1	16	Coperchio del motore	25	Barra di serratura
8	Alberino filettato	17	Vite della barra di serratura	26	Pulsante di velocità
9	Vite della barra di serratura	18	Alloggiamento 3	27	Pulsante di protezione



Mescolatori (opzione) dei modelli 221884, 221891



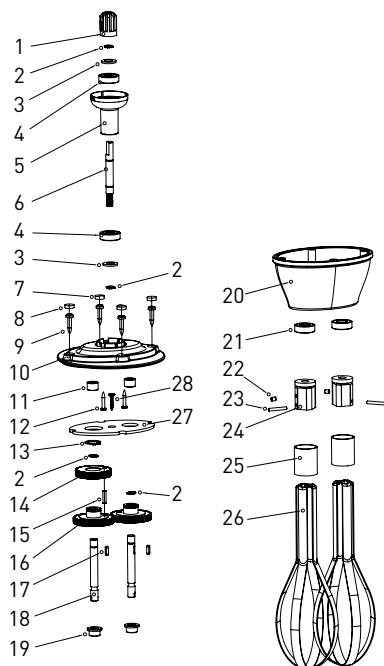
IT

Elenco dei pezzi - mescolatori (opzione): 222225, 222232, 222249, 222256

N. del pezzo	Nome	N. del pezzo	Nome	N. del pezzo	Nome
1	Mandrino scanalato	7	Mandrino di distribuzione (secondo il modello)	13	Anello di grafite
2	Anello di tenuta del mandrino scanalato	8	Mandrino di acciaio inox 304 (secondo il modello)	14	Molla annullare di grafite
3	Mandrino di collegamento	9	Mandrino di cuscinetto	15	Anello concavo
4	Anello di tenuta del mandrino di collegamento	10	Protezione della lama	16	Lama
5	Mandrino di fissaggio	11	Mandrino annullare ceramico		
6	Cuscinetto 608	12	Anello ceramico		



Frusta (opzione) per il modello 222140

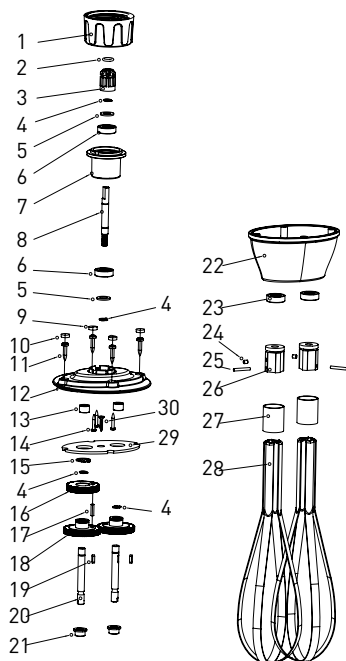


Elenco dei pezzi - mescolatore (opzione): modello 222164

N. del pezzo	Nome	N. del pezzo	Nome	N. del pezzo	Nome
1	Mandrino scanalato	11	Cuscinetto ad aghi	21	Guarnizione di olio
2	Anello elastico Ø8	12	Vite	22	Vite M4x5
3	Guarnizione del cuscinetto	13	Anello elastico Ø16	23	Bullone cilindrico
4	Cuscinetto	14	Cuscinetto di ingranaggio a vite senza fine	24	Barra fissata
5	Mandrino di collegamento	15	Bullone cilindrico	25	Anello di acciaio
6	Cuscinetto di ingranaggio a vite senza fine	16	Trasmissione semplice	26	Montante di acciaio
7	Alberino filettato 2	17	Pulsante	27	Passino
8	Alberino filettato 1	18	Mandrino di distribuzione	28	Vite
9	Vite del contenitore	19	Mandrino del mescolatore		
10	Coperchio inferiore	20	Coperchio inferiore		



Fruste (opzione) dei modelli 221884, 221891



Elenco dei pezzi - mescolatori (opzione): modello 222263

N. del pezzo	Nome	N. del pezzo	Nome	N. del pezzo	Nome
1	Mandrino di fissaggio	11	Vite del coperchio	21	Mandrino del mescolatore
2	Anello di tenuta del mandrino scanalato	12	Coperchio superiore	22	Coperchio inferiore
3	Mandrino scanalato	13	Cuscinetto ad aghi	23	Guarnizione di olio
4	Anello elastico Ø8	14	Vite	24	Vite M4x5
5	Mandrino scanalato	15	Vite Ø16	25	Bullone cilindrico
6	Cuscinetto	16	Vite	26	Barra fissata
7	Cuscinetto	17	Bullone cilindrico	27	Anello di acciaio
8	Cuscinetto di ingranaggio a vite senza fine	18	Trasmissione semplice	28	Montante di acciaio
9	Alberino filettato 2	19	Pulsante	29	Passino
10	Alberino filettato 1	20	Mandrino di distribuzione	30	Vite

Garanzia

Qualsiasi difetto che influenza la funzionalità del dispositivo che compaia entro un anno dall'acquisto sarà corretto a titolo interamente gratuito o con la sostituzione del prodotto che è stato utilizzato e sottoposto a manutenzione corretta seguendo le istruzioni, senza alcuna violazione. I diritti legali del cliente non sono assolutamente modificati. Nel caso in cui l'intervento di manutenzione o sostitu-

zione sia previsto nel periodo di validità della garanzia, precisare dove e quando si è acquistato il prodotto, possibilmente allegando lo scontrino.

In linea con la nostra politica di sviluppo continuo dei prodotti, ci riserviamo il diritto di modificare il prodotto, l'imballo e le specifiche di documentazione, senza notifica alcuna.

Smaltimento e protezione dell'ambiente

In caso di ritiro dell'apparecchiatura dal funzionamento il prodotto non può essere smaltito con altri rifiuti domestici. L'utente è responsabile della consegna dell'attrezzatura al punto di raccolta appropriato per l'attrezzatura usata. Il mancato rispetto delle disposizioni sopramenzionate può comportare l'imposizione di sanzioni in conformità con le normative vigenti in materia di smaltimento dei rifiuti. La raccolta e il riciclaggio selettivi di attrezzature usate contribuiscono alla conservazione delle risorse naturali e garantiscono il riciclaggio

in modo tale da non nuocere alla salute e all'ambiente.


Per ulteriori informazioni sui luoghi di smaltimento delle apparecchiature usate per il riciclaggio, contattare la società locale di raccolta dei rifiuti. Il produttore e l'importatore non sono responsabili per il riciclaggio e il trattamento dei rifiuti in modo ecologico, sia direttamente che nel quadro del sistema pubblico.



Stimate client,

Vă mulțumim pentru achiziționarea acestui aparat Hendi. Citiți cu atenție acest manual, acordând o atenție deosebită reglementărilor de siguranță prezentate mai jos, înainte de a instala și utiliza acest aparat pentru prima dată.


Regulile de siguranță

- Acest aparat este destinat numai pentru uz comercial.
- Utilizați aparatul numai în scopul pentru care a fost proiectat conform descrierii din acest manual.
- Producătorul nu este răspunzător pentru nici o deteriorare cauzată de funcționarea incorectă și de utilizarea necorespunzătoare.
- Păstrați aparatul și ștecherul departe de apă și de alte lichide. În cazul în care aparatul cade în apă, scoateți imediat ștecherul de alimentare din priză. Nu utilizați aparatul înainte de verificarea acestuia de către un tehnician certificat. Nerespectarea acestor instrucțiuni va cauza riscuri care pun viața în pericol.
- Nu încercați niciodată să deschideți singur carcasa aparatului.
- Nu introduceți obiecte în carcasa aparatului.
- Nu atingeți ștecherul cu mâinile umede sau umede.
-  **PERICOL DE ȘOC ELECTRIC!** Nu încercați să reparați singur aparatul, reparațiile trebuie efectuate numai de personal calificat.
- **Nu folosiți niciodată un aparat deteriorat!** Când este deteriorat, deconectați aparatul de la priză și contactați distribuitorul.
- **AVERTISMENT!** Nu scufundați părțile electrice ale aparatului în apă sau alte lichide.
- Nu țineți niciodată aparatul sub jet de apă.
- Verificați cu regularitate ștecherul și cablul de alimentare pentru orice deteriorare. În cazul deteriorării, acesta trebuie înlocuit de un agent de service sau de o persoană calificată în mod similar, pentru a evita pericolul sau rănirea.
- Asigurați-vă că cablul nu intră în contact cu obiecte ascuțite sau fierbinți și păstrați-l departe de focul deschis. Nu trageți niciodată cablul de alimentare pentru a-l deconecta de la priză, trageți întotdeauna ștecherul în schimb.
- Asigurați-vă că cablul de alimentare și/sau cablul prelungitor nu provoacă pericol de deplasare.
- Nu lăsați niciodată aparatul nesupravegheat în timpul utilizării.
- **AVERTISMENT!** Atâta timp cât ștecherul este în priză, aparatul este conectat la sursa de alimentare.
- Opriti aparatul înainte de a-l deconecta de la priză.
- Conectați ștecherul la o priză electrică ușor accesibilă, astfel încât, în caz de urgență, aparatul să poată fi deconectat imediat.
- Nu purtați niciodată aparatul de cablu.
- Nu utilizați dispozitive suplimentare care nu sunt furnizate împreună cu aparatul.
- Conectați aparatul numai la o priză electrică cu tensiunea și frecvența menționate pe

eticheta aparatului.

- Nu folosiți niciodată alte accesorii decât cele recomandate de producător. Nerespectarea acestui lucru ar putea reprezenta un risc de siguranță pentru utilizator și ar putea deteriora aparatul. Utilizați numai piese originale și accesorii.
- Acest aparat nu trebuie operat de persoane cu capacități fizice, senzoriale sau mentale reduse sau de persoane care au o lipsă de experiență și cunoștințe.
- Acest aparat nu ar trebui, în nici un caz, să fie utilizat de copii.
- Nu lăsați aparatul și cablul de alimentare la îndemâna copiilor.
- **AVERTISMENT:** Opriti întotdeauna aparatul și deconectați de la priză înainte de curățare, întreținere sau depozitare.

Regulamente speciale de siguranță

- Folosiți aparatul numai așa cum este descris în acest manual. Doar pentru uz interior.
- Acest aparat trebuie să fie operat doar de personal instruit.
- Nu îndreptați lama spre o persoană în timpul funcționării aparatului.
- Nu atingeți lama și componentele mobile. Țineți degetele, părul, îmbrăcămintea și ustensilele departe de toate componentele mobile.
- Uscați aparatul și toate accesoriile înainte de conectarea la sursa de alimentare cu electricitate și înainte de atașarea accesoriilor.
- **PERICOL DE VĂTĂMARE A MÂINILOR!** Manevrați cu foarte mare atenție lama, deoarece aceasta este foarte ascuțită.
- Nu adăugați ingrediente în recipient în timpul funcționării aparatului.
- **ATENȚIE!** Scoateți imediat cablul din priză după utilizare, înainte de îndepărtarea sau schimbarea accesoriilor.
- Acest produs este un aparat de mână destinat prelucrării alimentelor în vase.
- Toate lucrările de întreținere, instalare și reparații trebuie efectuate de tehnicieni specializați, instruiți și autorizați.
- **AVERTISMENT:** Nu introduceți mâinile sau obiecte în vas în timpul funcționării pentru a reduce riscul de accidentare gravă și / sau de avarierea blenderului.
- Nu lăsați aparatul să funcționeze fără întrerupere pentru a evita supraîncălzirea motorului. Timpul de funcționare continuă nu trebuie să depășească 3 minute. Aparatul poate fi pornit din nou după ce s-a răcit.
- Nu spălați aparatul cu apă sau sub jet de apă. Spălarea cu apă poate produce scurgeri și crește riscul de electrocutare. Componentele nu pot fi curățate în mașina de spălat vase.
- Așezați cordonul de alimentare în așa fel încât acesta să nu poată fi tras din greșeală sau să nu se agațe de ceva.
- Nu curățați și nu depozitați mașina decât după ce s-a răcit complet.
-  Acest aparat are clasa de protecție II.

Pentru montarea pe perete a consolei articolului 222393, citiți cu atenție măsurile importante de siguranță de mai jos:

- Din motive de siguranță, montarea trebuie realizată de un tehnician calificat.

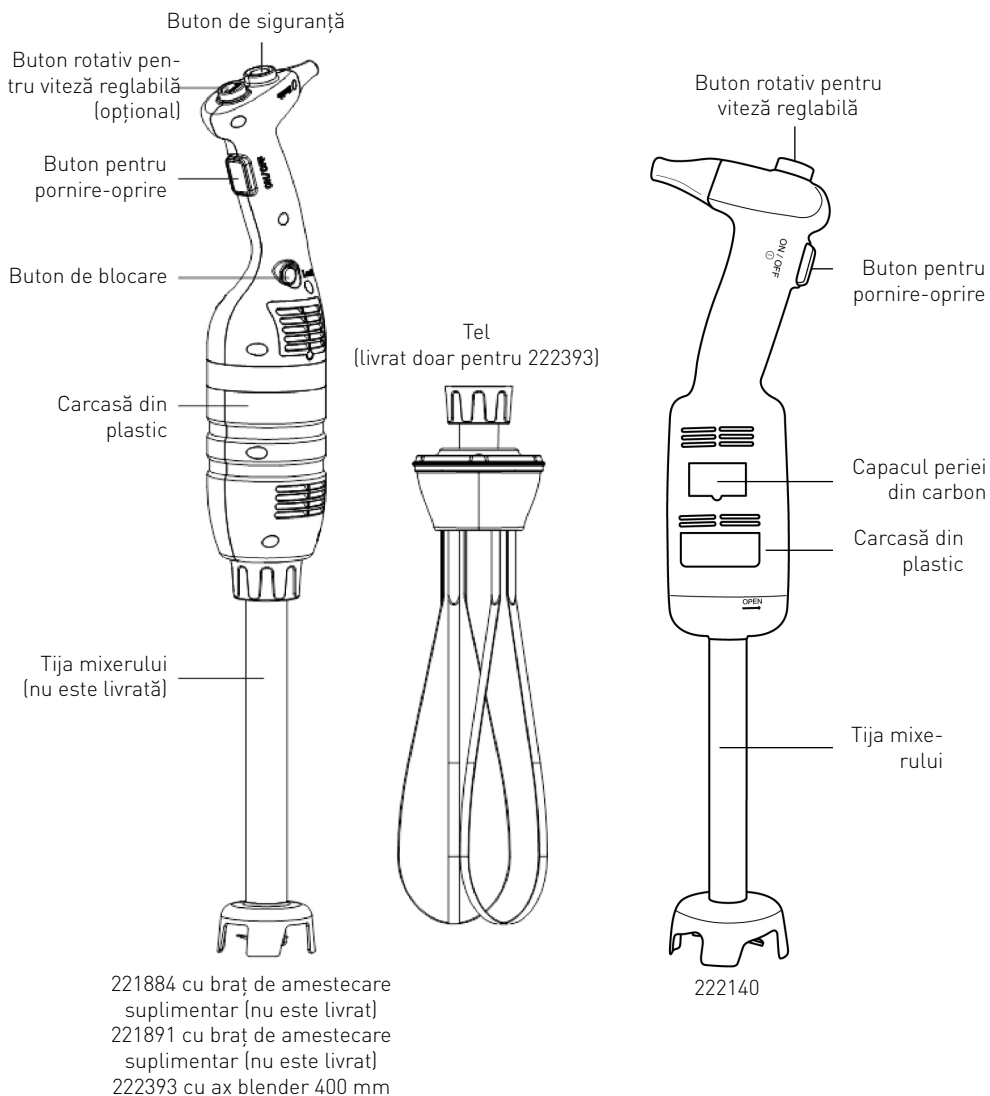


- Înainte de montare, verificați dacă peretele poate susține în siguranță sarcina întregului set al aparatului și a accesoriilor sale.
- Verificați ca în jurul locului de instalare să nu se afle cabluri, conducte de apă, de gaz sau altele.
- Dacă nu sunteți siguri de structura peretelui, consultați un constructor sau un instalator calificat pentru asistență.
- Strângeți bine șuruburile, dar nu excesiv. Strângerea excesivă poate avaria șuruburile, reducându-le mult capacitatea de susținere.
- În timpul montajului, nu permiteți accesul copiilor și animalelor de companie.
- **Avertisment!** Nu montați alte obiecte, cu excepția aparatului, pentru a preveni supraîncărcarea consolei.

Utilizare preconizată

- Acesta este un aparat de uz profesional.
- Acest aparat este destinat exclusiv preparării de piureuri, emulsionării și amestecării produselor alimentare calde și reci, în scopuri comerciale. Acesta permite prepararea supelor, piureurilor, cremelor, masei de marțipan, cremelor de brânză etc. direct în oală. Orice altă utilizare poate duce la deteriorarea aparatului sau vătămarea corporală.
- Utilizarea aparatului în orice alt scop reprezintă o utilizare incorectă. Utilizatorul este singurul răspunzător de orice utilizare incorectă a aparatului.

Descrierea produsului

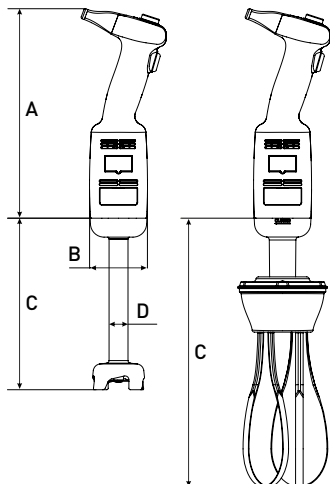


RO

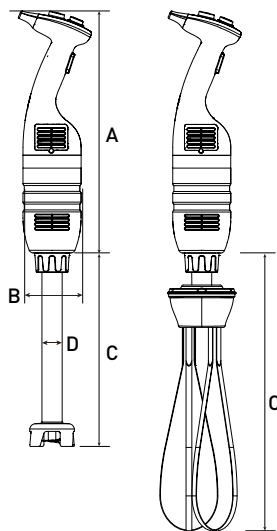


Parametri tehnici principali

Modelli: 222140



Modelli: 221884 / 221891



Specificații tehnice

Cod	Tensiune de alimentare	Putere	Viteza aproximativă de rotație	Greutatea aproximativă a unității principale, excluzând tija de amestecare sau telul	A (lungime)	B (diametru)
222140	230 V/50 Hz	220 W	4,000 ~ 20,000 rpm	1,15 kg	304 mm	Ø 75 mm
221884	230 V/50 Hz	350 W	4,000 ~ 16,000 rpm	2,35 kg	416 mm	Ø 100 mm
221891	230 V/50 Hz	500 W	4,000 ~ 16,000 rpm	2,55 kg	416 mm	Ø 100 mm

Notă: Specificațiile tehnice se pot schimba fără o notificare prealabilă.

Tabel de îmbinare pentru tija mixerului și accesoriile telului. Accesoriile de mai jos nu sunt incluse:

Cod	Greutate aprox.	C (lungime)	D (diametru)	Descriere
222164	0,81 kg	185 mm	-	Tel pentru 222140 (opțional)
-	0,52 kg	160 mm	Ø 28 mm	Tijă mixer pentru 222140 (livrată)
222263	0,86 kg	250 mm	-	Tel pentru modelele 221884 (opțional) și 221891 (opțional)
222225	0,82 kg	250 mm	Ø 35 mm	Tijă mixer pentru 221884 (opțional) și 221891 (opțional)
222232	1,02 kg	300 mm	Ø 35 mm	
222249	1,28 kg	400 mm	Ø 35 mm	
222256	1,56 kg	500 mm	Ø 35 mm	

Observații: Set articol 222393 = 221884 + 222249 + 222263 + consolă de perete + kituri de instalare (2 seturi de șuruburi de fixare, șaibe și dibluri cu expansiune).



Introducere

- Citiți cu atenție acest Manual al Utilizatorului înainte de utilizarea aparatului. Acesta conține informații importante pentru siguranța dumneavoastră, precum și recomandări pentru funcționare și mentenanță.
- Acest aparat este destinat uzului profesional în gelaterii, restaurante, bucătăriile hotelurilor pentru prepararea amestecurilor de înghețată, supelor de legume, piureurilor, sosurilor, umpluturilor, maionezei, pastelor și sosurilor de tomate etc.
- În cazul în care doriți să utilizați la capacitate maximă funcțiile mixerului, trebuie să cunoașteți în detaliu performanțele și caracteristicile de funcționare.
- Mentenanța necesită numai câteva operațiuni simple care pot fi efectuate de operator.
- Pentru a asigura o durată de viață îndelungată și pentru a reduce la minim costurile de exploatare, urmați instrucțiunile din acest manual.
- Producătorul a proiectat mixerul pentru a asigura condiții sigure de exploatare. Îndepărtarea dispozitivelor de protecție montate de producător va compromite grav condițiile de siguranță garantate.
- Pentru garantarea siguranței, respectați instrucțiunile privind instalarea și conectarea dispozitivului la sursa de alimentare cu energie.
- Dispozitivul trebuie montat într-un spațiu de lucru fără agenți corozivi.
- Spațiul de instalare nu trebuie să prezinte riscuri de explozie.
- Utilizați numai PIESE DE SCHIMB furnizate sau aprobate de vânzător/producător.
- Acest Manual al Utilizatorului este parte integrantă din mixerul de mână și trebuie păstrat într-un loc sigur. Caracteristicile, informațiile și schițele publicate aici sunt proprietatea exclusivă a producătorului.
- Funcțiile aparatului fac posibilă pregătirea următoarelor tipuri de mâncare într-o perioadă de timp minimă: piureuri groase de legume, supe, piure din cartofi, creme, aluaturi, maioneze, pulpă de migdale, brânzeturi etc.

Pregătiri pentru montarea consolei pe perete (Exclusiv pentru articolul: 222393)

Înainte de montaj: Verificați consola de perete să nu fie deteriorată și caracterul complet al kiturilor de instalare (2 seturi de șuruburi de fixare, șaibe și dibluri cu expansiune incluse). În cazul în care descoperiți deteriorări sau componente lipsă NU începeți instalarea.

Notă:

- Consultați un antreprenor sau instalator calificat pentru asistență dacă nu sunteți sigur cu privire la structura peretelui și asigurați-vă că procedura este efectuată corespunzător și în siguranță.
- Din motive de siguranță, montarea trebuie realizată de tehnicieni calificați.
- Distanța dintre găurile pentru șuruburile de fixare este de aproximativ 217 mm. Înainte de montaj, eliberați zona de lucru.
- **Important:** Înainte de a monta consola pe perete trebuie să vă asigurați că aveți toate sculele, cum ar fi șurubelnița, mașina de găurit electrică, ruleta, creionul de marcat (Niciuna nu este inclusă în livrare).
- Consola trebuie fixată bine pe perete prin atașarea a două șuruburi de fixare cu diblurile cu expansiune introduse.
- Fiți conștient de faptul că în spatele peretelui din zona de lucru se pot afla elemente precum țevi, cabluri electrice și conducte de apă. În timpul montajului este necesară o atenție sporită.



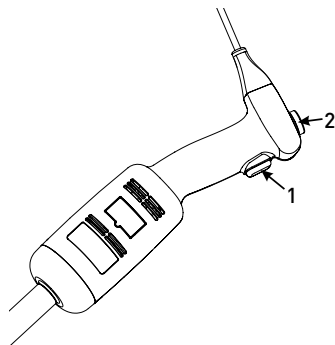
Instrucțiuni de utilizare (model: 222140)

ATENȚIE: Înainte de conectarea aparatului la sursa de alimentare cu electricitate, verificați corespondența tensiunii la sursa de alimentare cu detaliile specificate pe etichetă.

NOTĂ: Modelul 222140 nu are o funcție de blocare pentru funcționare continuă.

Exploatarea aparatului:

1. Asigurați-vă că aparatul este deconectat de la sursa de alimentare cu electricitate înainte de asamblare.
2. Conectați tija de amestecare/telul la unitatea principală.
3. Verificați ca butonul PORNIRE/OPRIRE (1) să fie în poziția decuplare (plat).
4. Conectați aparatul la sursa de alimentare cu electricitate.
5. Apoi, apăsați butonul PORNIRE/OPRIRE (1). Aparatul va porni. FIȚI ATENT!
6. Pentru a opri aparatul, eliberați butonul PORNIRE/OPRIRE (1).



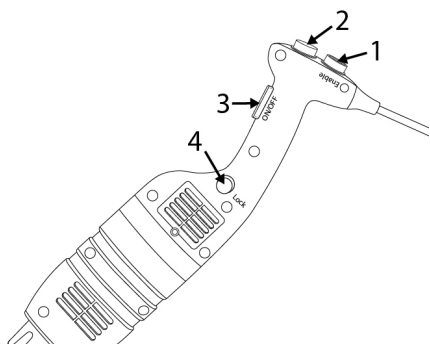
Instrucțiuni de utilizare (model: 221884, 221891, 222393)

ATENȚIE: Înainte de conectarea aparatului la sursa de alimentare cu electricitate, verificați corespondența tensiunii la sursa de alimentare cu detaliile specificate pe etichetă.

NOTĂ: Modelele 221884 și 221891 au o funcție de blocare pentru funcționare continuă.

Pornirea și oprirea aparatului:

1. Asigurați-vă că aparatul este deconectat de la sursa de alimentare cu electricitate înainte de asamblare.
2. Conectați tija de amestecare/telul la unitatea principală.
3. Verificați ca butonul PORNIRE/OPRIRE (3) să fie în poziția decuplare (plat).
4. Conectați aparatul la sursa de alimentare cu electricitate.
5. Mai întâi, apăsați și mențineți apăsat buton de siguranță (1).
6. Apoi, apăsați butonul PORNIRE/OPRIRE (3) în același timp. Aparatul va porni. FIȚI ATENT!
7. Eliberând butonul de siguranță (1), aparatul va funcționa.
8. Pentru a opri aparatul, eliberați butonul PORNIRE/OPRIRE (3).



Funcționarea continuă a aparatului:

Urmați pașii 1 – 7 de mai sus, apoi:

- Cu butonul ON / OFF (3) sunt în poziția „apăsăat”. Apăsăți butonul Blocare (4) o dată.
- Eliberați butonul ON / OFF (3) și aparatul va continua să funcționeze în regim continuu.
- Pentru a opri aparatul, apăsați și decuplați butonul PORNIRE/OPRIRE (3).

Acționarea vitezei reglabile (modelele: 222140, 221884, 221891, 222393)

Urmați pașii 1 – 7 de mai sus, apoi:

- Schimbați viteza motorului rotind butonul pentru viteza reglabilă (2) spre maxim sau spre minim, după caz. Se recomandă pornirea aparatului la o viteză mică, în cazul utilizării telului. Cu ajutorul sistemului de autoreglare a vitezei, viteza selectată va rămâne constantă, chiar și în cazul în care se schimbă consistența amestecului.

NOTE:

Funcționarea mixerului: Pentru un control mai bun, recomandăm să țineți mixerul de mâner și de partea inferioară a unității motorului. În plus, recomandăm înclinarea ușoară a mixerului pentru a preveni atingerea fundului recipientului cu clopotul mixerului. Asigurați-vă că clopotul mixerului

este scufundat suficient pentru a evita stropirea și că orificiile de ventilare ale motorului nu intră în contact cu nici un lichid. Pentru o eficiență optimă, două treimi din brațul de amestecare trebuie scufundat în amestecul pregătit.

Funcționarea telului: De asemenea, puteți ține aparatul cu o mână și bolul cu cealaltă mână, dacă este cazul. Pe durata funcționării, recomandăm mișcarea telului prin bol pentru a vă asigura că amestecul este complet omogen. Nu apropiați te-

lul de marginile bolului. Pentru o eficiență maximă, cel puțin o cincime din lungimea telului trebuie să fie scufundată. Nu scufundați suportul telului în amestec.

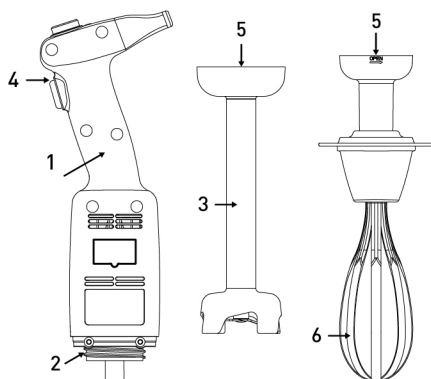


Asamblarea/dezasamblarea accesoriilor

Operațiunile de asamblare/dezasamblare a aparatului se realizează prin oprirea și deconectarea acestuia de la sursa de alimentare cu energie electrică.

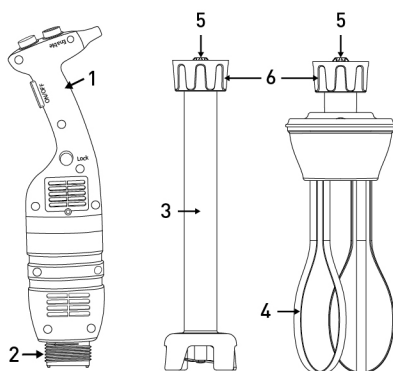
Asamblare: Modelul 222140:

1. Potrivești și introduci cuplajul (5) tije de amestecare (3) sau al telului (6) în conectorul (2) unității principale (1).
2. Înșurubați strâns brațul de amestecare (3) sau telul (6) de unitatea principală.



Asamblare: Modelele 221884, 221891, 222393:

1. Potrivești și introduci cuplajul (5) tije de amestecare (3) sau al telului (4) în conectorul (2) unității principale (1). Verificați dacă partea mai îngustă a cuplajului aparatului se potrivește cu partea concavă a tije de amestecare (3) sau cu cuplajul care se regăsește pe brațul telului (4).
2. Înșurubați piulița (6) răsucind în sus, în așa fel încât să o fixați strâns de unitatea principală (1).



Respectați pașii de mai sus în ordine inversă pentru a dezambla accesoriile.

Instrucțiuni de curățare

Înainte de curățare deconectați aparatul de la orice sursă de alimentare cu energie electrică.

- După utilizarea Mixerului în amestec fierbinte, răciți tija de amestecare în apă rece înainte de a îndepărta manșonul de pe tija de amestecare. Curățați tija imediat după utilizare pentru a evita ca amestecul să se lipească de aceasta.
- Nu spălați motorul sau mânerul; curățați-le cu o cârpă umedă sau cu un burete.
- Curățarea tije de amestecare și a manșonului: Introduceți brațul de amestecare și manșonul în-

tr-un recipient cu apă curată și porniți aparatul timp de câteva secunde.

- **AVERTISMENT:** După curățare, uscați complet lamele pentru a evita apariția petelor de rugină.
- Nu spălați suportul telului; curățați-l cu o cârpă umedă sau cu un burete.
- După utilizare curățați aparatul cu detergent sau dezinfectant. Nu folosiți înălbitor nediluat. Nu folosiți detergenți alcalini pentru curățarea componentelor din plastic.



Detectarea defecțiunilor tehnice

În cazul întreruperii alimentării cu energie electrică sau în cazul în care dispozitivul a fost scos din priză, apăsați butonul PORNIRE/OPRIRE (3), verificați alimentarea cu energie electrică și reporniți dispozitivul.

În cazul în care dispozitivul este oprit ca urmare a supraîncălzirii, apăsați butonul PORNIRE/OPRIRE (3) și scoateți dispozitivul din priză, așteptați câteva minute ca să se răcească motorul și ca să se reseteze mecanismul de siguranță termică, apoi reporniți dispozitivul.

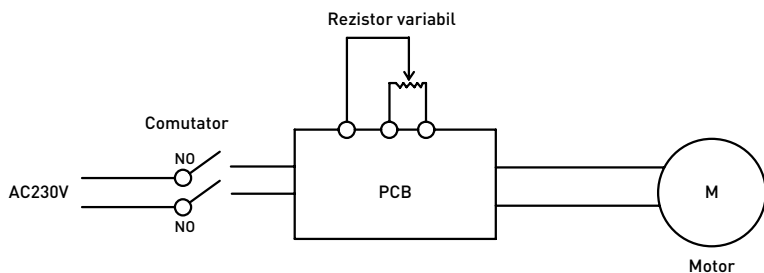
În cazul în care nu puteți determina cauza problemei: apăsați butonul PORNIRE/OPRIRE (3), scoateți dispozitivul din priză și verificați:

1. priza
2. dacă lamele se rotesc liber pe manșon
3. starea cablului de alimentare
4. dacă axul de acționare se rotește liber. În acest sens, îndepărtați manșonul și testați manual rotația capătului aferent axului de acționare.

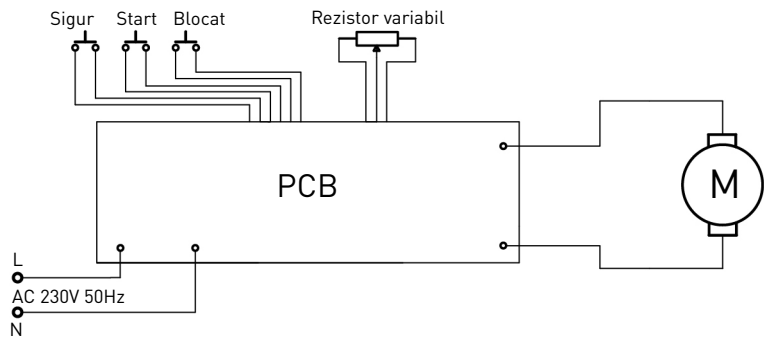
În cazul în care identificați unul dintre defectele de funcționare enumerate în prezentul manual de utilizare, luați legătura cu vânzătorul prin intermediul departamentului de servicii postvânzare.

Diagrama electrică

Modelul 222140

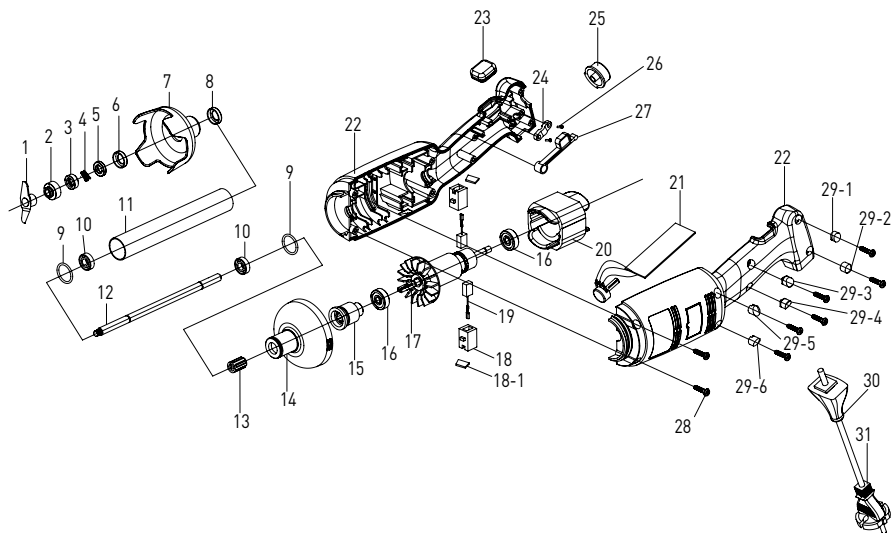


Modelele 221884, 221891, 222393



Schema explodată și lista componentelor pentru modelul 222140

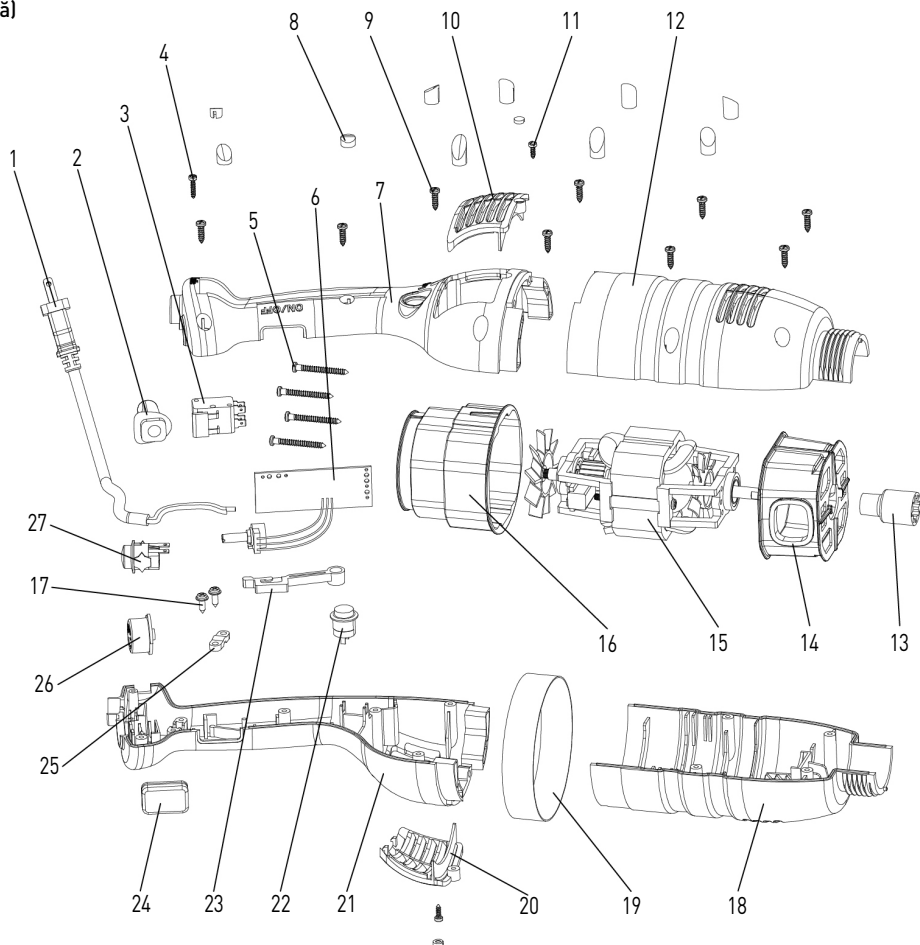
Modelul 222140



Lista componentelor – modelul 222140 unitatea principală și tija de amestecare

Nr. comp.	Denumirea componentei	Nr. comp.	Denumirea componentei	Nr. comp.	Denumirea componentei
1	Lamă	14	Carcasă din plastic pentru capul mixerului	26	Șurub placă de apăsare
2	Inel convex	15	Manșonul penei de ghidare	27	Ax oscilant comutator
3	Arc inelar din grafit	16	Rulment	28	Șurub carcasă
4	Arc din grafit	17	Rotor	29-1	Sistem de blocare pe șurub 28-1
5	Inel ceramic	18	Perie cilindru	29-2	Sistem de blocare pe șurub 28-2
6	Manșonul inelului ceramic	18-1	Capac perie	29-3	Sistem de blocare pe șurub 28-3
7	Protecție cuțit	19	Perie	29-4	Sistem de blocare pe șurub 28-4
8	Manșonul rulmentului	20	Stator	29-5	Sistem de blocare pe șurub 28-5
9	Inel etanșare	21	Panou de control cu variator de viteză PCB	29-6	Sistem de blocare pe șurub 28-6
10	Rulment W688Z	22	Carcasă stânga și dreapta	30	Înveliș cablu
11	Tub S/S	23	Dispozitiv protector de blocare din cauciuc	31	Cablu de alimentare
12	Ax de ieșire	24	Placă de apăsare		
13	Pană de ghidare	25	Buton de reglare a vitezei		

Schema explodată și lista componentelor pentru modelele 221884, 221891, 222393 (doar unitatea principală)



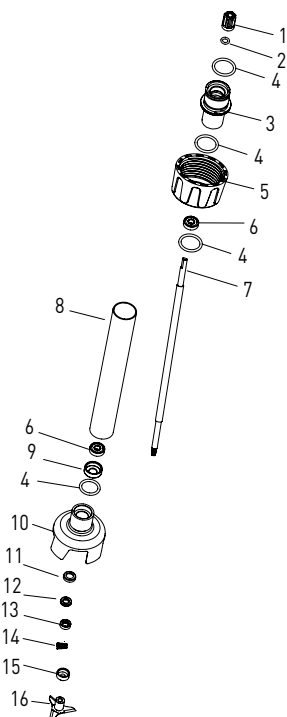
RO

Lista componentelor – modelele 221884, 221891, 222393 (Doar unitatea principală)

Nr. comp.	Denumirea componentei	Nr. comp.	Denumirea componentei	Nr. comp.	Denumirea componentei
1	Cablu de alimentare	10	Capac de evacuare aer	19	Inel
2	Colier cablu	11	Șurub placă de apăsare	20	Capac de evacuare aer
3	Comutator	12	Carcasă 2	21	Carcasă 4
4	Șurub placă de apăsare	13	Manșonul penei de ghidare	22	Buton de blocare
5	Șurub placă de apăsare	14	Capacul motor inferior	23	Ax oscilant comutator
6	Panou de control PCB	15	Motor	24	Înveliș comutator
7	Carcasă 1	16	Acoperirea motorului	25	Placă de apăsare
8	Sistem de blocare pe șurub	17	Șurub placă de apăsare	26	Buton de reglare a vitezei
9	Șurub placă de apăsare	18	Carcasă 3	27	Buton de siguranță



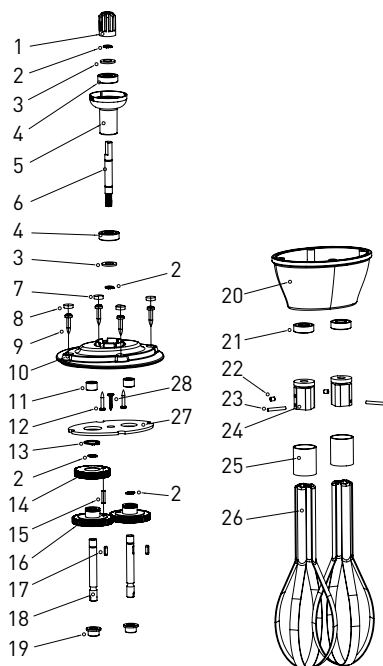
Tije de amestecare (opțional) pentru modelele 221884, 221891



Lista componentelor – tije de amestecare (opțional): 222225, 222232, 222249, 222256

Nr. comp.	Denumirea componentei	Nr. comp.	Denumirea componentei	Nr. comp.	Denumirea componentei
1	Manșonul penei de ghidare	7	Ax de ieșire (Lungimea acestuia variază în funcție de model)	13	Inel din grafit
2	Inel etanșare manșon pană de ghidare	8	Tub 304 S/S (Lungimea acestuia variază în funcție de model)	14	Arc inel din grafit
3	Manșon de legătură	9	Manșonul rulmentului	15	Inel convex
4	Inel etanșare manșon de legătură	10	Protecție cuțit	16	Lamă
5	Manșon de îmbinare	11	Manșonul inelului ceramic		
6	Rulment 608	12	Inel ceramic		

Tel (Opțional) pentru modelul 222140

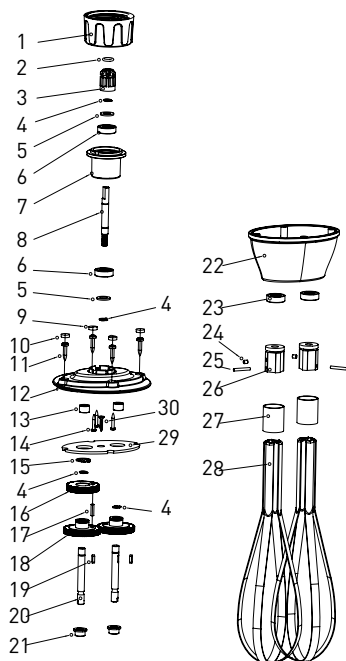


Lista componentelor (opțional): modelul 222164

Nr. comp.	Denumirea componentei	Nr. comp.	Denumirea componentei	Nr. comp.	Denumirea componentei
1	Manșonul penei de ghidare	11	Rulment cu ace	21	Simering
2	Inel de prindere Ø8	12	Șurub	22	Șurub M4x5
3	Șaibă rulment	13	Inel de prindere Ø16	23	Pivot cilindric
4	Rulment	14	Pivot pentru angrenaj elicoidal	24	Placă fixă
5	Manșon de legătură	15	Pivot cilindric	25	Inel din oțel
6	Pivot pentru angrenaj elicoidal	16	Angrenaj drept	26	Bară din oțel
7	Sistem de blocare pe șurub 2	17	Cheie	27	Deflector
8	Sistem de blocare pe șurub 1	18	Ax de ieșire	28	Șurub
9	Șurub carcasă	19	Manșonul axului		
10	Capac superior	20	Capac inferior		



Tel (Opțional) pentru modelele 221884, 221891



Lista componentelor (opțional): modelul 222263

Nr. comp.	Denumirea componentei	Nr. comp.	Denumirea componentei	Nr. comp.	Denumirea componentei
1	Manșon de îmbinare	11	Rulment	21	Manșonul axului
2	Inel etanșare manșon pană de ghidare	12	Manșon de legătură	22	Capac inferior
3	Manșonul penei de ghidare	13	Rulment cu ace	23	Simering
4	Inel de prindere Ø8	14	Șurub	24	Șurub M4x5
5	Simering	15	Inel de prindere Ø16	25	Pivot cilindric
6	Rulment	16	Pivot pentru angrenaj elicoidal	26	Placă fixă
7	Manșon de legătură	17	Pivot cilindric	27	Inel din oțel
8	Pivot pentru angrenaj elicoidal	18	Angrenaj drept	28	Bară din oțel
9	Sistem de blocare pe șurub 2	19	Cheie	29	Deflector
10	Sistem de blocare pe șurub 1	20	Ax de ieșire	30	Șurub

Garanție

Orice defecțiune care afectează funcționarea aparatului apărută la mai puțin de un an de la cumpărarea acestuia va fi remediată prin reparație sau înlocuire gratuită, cu condiția ca aparatul să fi fost folosit și întreținut conform instrucțiunilor nu să nu fi fost bruscat sau folosit necorespunzător în vreun fel. Drepturile dumneavoastră legale nu sunt afec-

tate. Dacă aparatul este în garanție, menționați când și de unde a fost cumpărat și includeți dovada cumpărării (de ex. chitanța).

Conform politicii noastre de dezvoltare continuă a produsului, ne rezervăm dreptul de a modifica produsul, ambalajul și documentația fără notificare.

Eliminarea și mediul înconjurător

La dezafectarea aparatului, produsul nu trebuie aruncat împreună cu alte deșeuri menajere. În schimb, este responsabilitatea dumneavoastră să eliminați echipamentul uzat prin predarea acestuia la un punct de colectare desemnat. Nerespectarea acestei reguli poate fi penalizată în conformitate cu reglementările aplicabile privind eliminarea deșeurilor. Colectarea separată și reciclarea echipamentului dumneavoastră uzat la momentul debarasării contribuie la conservarea resurselor naturale și

asigură realizarea reciclării într-un mod care protejează sănătatea ființelor umane și a mediului. Pentru informații suplimentare privind modul în care puteți preda deșeurile dumneavoastră în scopul reciclării, vă rugăm să contactați compania locală de colectare a deșeurilor. Producătorii și importatorii nu își asumă responsabilitatea cu privire la reciclarea, tratarea și eliminarea ecologică a deșeurilor, fie direct, fie prin intermediul unui sistem public.



Благодарим Вас за покупку этого устройства Hendi. Внимательно прочитайте это руководство, обращая особое внимание на правила безопасности, изложенные ниже, перед установкой и использованием этого устройства в первый раз.

Правила безопасности


- Это оборудование предназначено только для коммерческого использования.
- Используйте прибор только по назначению, для которого он был разработан, как описано в данном руководстве.
- Изготовитель не несет ответственности за любой ущерб, вызванный неправильной работой и неправильным использованием.
- Держите прибор и электрическую вилку подальше от воды и других жидкостей. В случае, если прибор попадает в воду, немедленно снимите вилку питания с розетки. Не используйте устройство до тех пор, пока оно не будет проверено сертифицированным техническим специалистом. Несоблюдение этих инструкций приведет к угрожающей жизни опасности.
- Никогда не пытайтесь открыть корпус прибора самостоятельно.
- Не вставляйте объекты в корпус прибора.
- Не прикасайтесь к вилке мокрыми или влажными руками.
-  **ОПАСНОСТЬ ПОРАЖЕНИЯ ЭЛЕКТРИЧЕСКИМ ТОКОМ!** Не пытайтесь самостоятельно отремонтировать прибор, ремонт должен проводиться только квалифицированный персонал.
- **Никогда не используйте поврежденный прибор!** Когда устройство повреждено, отсоедините устройство от розетки и обратитесь к продавцу.
- **ПРЕДУПРЕЖДЕНИЕ!** Не погружайте электрические части прибора в воду или другие жидкости.
- Никогда не удерживайте прибор под проточной водой.
- Регулярно проверяйте штекер питания и шнур на наличие повреждений. В случае повреждения его необходимо заменить сервисным агентом или лицом, имеющим аналогичную квалификацию, с тем чтобы избежать опасности или травм.
- Убедитесь, что шнур не соприкасается с острыми или горячими предметами и держите его подальше от открытого огня. Никогда не тяните шнур питания, чтобы отсоединить его от розетки, всегда тяните вилку вместо нее.
- Убедитесь, что шнур питания и/или удлинитель не вызывают опасности аварии.
- Никогда не оставляйте прибор без присмотра во время использования.
- **ПРЕДУПРЕЖДЕНИЕ!** Пока штекер находится в розетке, прибор подключается к источнику питания.
- Выключите устройство, прежде чем отсоединить его от розетки.
- Подключите вилку питания к легкодоступной электрической розетке, чтобы в случае аварийной ситуации устройство можно было немедленно отключить.
- Никогда не носите прибор за шнур.

- Не используйте дополнительные устройства, которые не поставляются вместе с устройством.
- Подключите прибор только к электрической розетке с напряжением и частотой, указанными на этикетке устройства.
- Никогда не используйте аксессуары, кроме тех, которые рекомендованы производителем. Невыполнение этого требования может представлять опасность для безопасности пользователя и привести к повреждению устройства. Используйте только оригинальные детали и аксессуары.
- Этот прибор не должен эксплуатироваться лицами с ограниченными физическими, сенсорными или умственными возможностями, или лицами, не имеющими опыта и знаний.
- Этот прибор ни при каких обстоятельствах не должен использоваться детьми.
- Держите устройство и его шнур питания в недоступном для детей месте.
- **ПРЕДУПРЕЖДЕНИЕ:** ВСЕГДА выключите устройство и отключите розетку от розетки перед очисткой, обслуживанием или хранением.

Специальные правила безопасности

- Используйте прибор только по описанию этой инструкции. Использование только в помещении.
- Этим прибором руководит квалифицированный персонал.
- Отсоединить устройство от сети электропитания, вынимая вилку из розетки, когда устройство не находится под присмотром, не используется, а также перед сборкой, разборкой и чисткой.
- Во время работы устройства не направлять ножи в сторону людей, находящихся поблизости.
- Во время работы устройства не прикасаться к ножам, а также к другим подвижным элементам. Во время работы устройства не прикасаться к подвижным элементам руками, а также другими кухонными принадлежностями; завязать волосы.
- Устройство и насадки тщательно высушить перед подключением к сети электропитания и перед прикреплением насадок.
- **ОПАСНОСТЬ ТРАВМ И ПОВРЕЖДЕНИЙ ЛАДОНЕЙ!** Осторожно обращаться с ножами устройства – они острые.
- Не добавлять ингредиенты в посуду во время работы устройства.
- **ПРЕДУПРЕЖДЕНИЕ:** отключить устройство от сети электропитания сразу после использования или перед сменой насадок.
- Ручной блендер предназначен для обработки пищевых продуктов в контейнере.
- Все работы по техническому обслуживанию, монтажу и ремонту должны выполняться квалифицированными, уполномоченными техническими специалистами.
- **ПРЕДУПРЕЖДЕНИЕ:** При использовании устройства помните, чтобы не класть руки или кухонные приборы в контейнер, тем самым уменьшая риск серьезной травмы и/или повреждения блендера.



- Не используйте устройство в течение длительного времени, чтобы избежать перегрева двигателя. Устройство не должно работать непрерывно более 3 минут. Устройство можно использовать повторно после охлаждения.
- Не мойте устройство водой или сильной струёй. При мойке устройства вода может попасть в электрические детали и вызвать поражение электрическим током. Части устройства нельзя мыть в посудомоечной машине.
- Проложите шнур питания так, чтобы случайно его не вытянуть или о него не споткнуться.
- Не чистите и не помещайте устройство на хранение, пока оно полностью не остынет.
-  Блендер – это устройство II класса защиты.

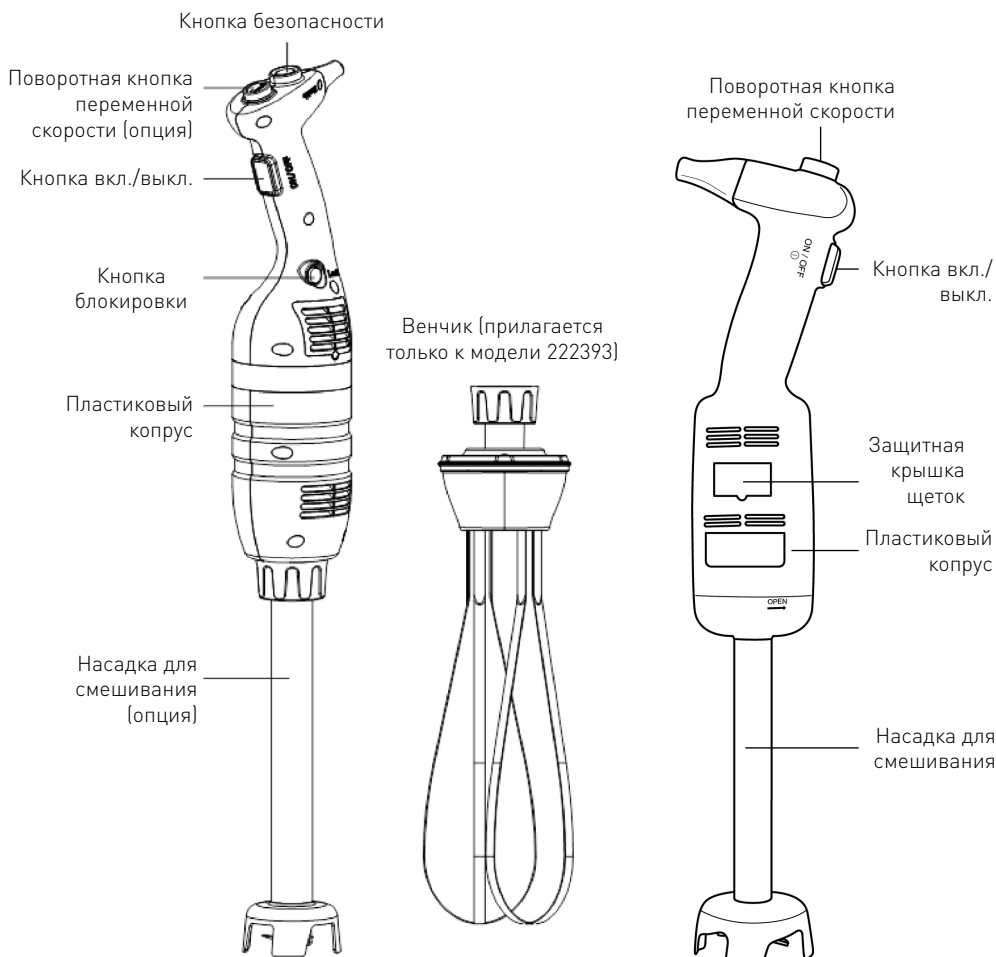
Для фиксирования на стене кронштейна, приложенного к модели 222393, внимательно прочтите следующие указания по технике безопасности:

- По соображениям безопасности сборку должен выполнять квалифицированный специалист.
- Перед установкой убедитесь, что стена может выдержать вес устройства вместе с его аксессуарами.
- Убедитесь, что рядом с местом сборки нет электрических проводов, подключений воды, газа или других элементов установки.
- Обратитесь к квалифицированному подрядчику или специалисту, если вы не уверены в конструкции стены.
- Затяните винты. Не затягивайте слишком крепко. Слишком крепкая затяжка может повредить винт, что значительно снижает стабильность сборки.
- Во время монтажа не подпускайте детей или животных к месту установки.
- **ПРЕДУПРЕЖДЕНИЕ!** Не размещайте на кронштейне предметы, кроме устройства, чтобы предотвратить перегрузку кронштейна.

Предполагаемое использование

- Устройство предназначено для профессионального использования.
- Ручной блендер предназначен для обработки пищевых продуктов в контейнере. Использование устройства для любых других целей может привести к повреждению или травме тела.
- Использование устройства для любых других целей будет рассматриваться, как использование не по назначению.

Описание продукта



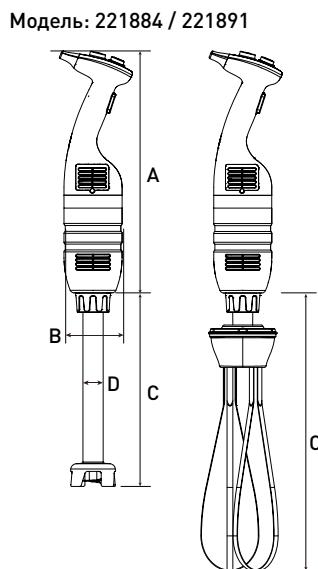
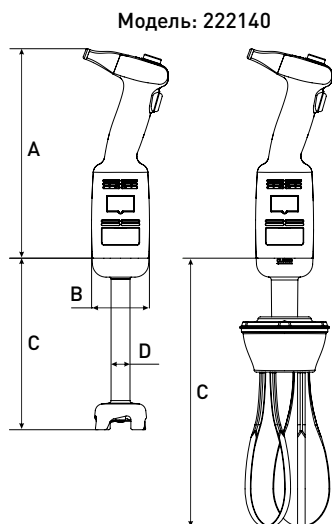
221884 с дополнительной насадкой для смешивания (опция)
221891 с дополнительной насадкой для смешивания (опция)
Модель 222393 с насадкой - блендер 400 мм

222140

RU



Главные технические параметры



Техническая спецификация

Модель	Напряжение питания	Мощность	Номинальная скорость вращения	Номинальный вес корпуса без насадки для смешивания и венчика	A (Длина)	B (Диаметр)
222140	230 В/50 Гц	220 Вт	4,000 ~ 20,000 об./мин.	1,15 кг	304 мм	Ø 75 мм
221884	230 В/50 Гц	350 Вт	4,000 ~ 16,000 об./мин.	2,35 кг	416 мм	Ø 100 мм
221891	230 В/50 Гц	500 Вт	4,000 ~ 16,000 об./мин.	2,55 кг	416 мм	Ø 100 мм

Внимание: техническая спецификация может измениться без предупреждения.

Таблица комбинаций подключения насадки для смешивания и венчика.

Данные насадки не прилагаются к устройству.

Модель	Вес приб.	C (Длина)	D (Диаметр)	Описание
222164	0,81 кг	185 мм	-	Насадка-венчик для модели 222140 (опционально)
-	0,52 кг	160 мм	Ø 28 мм	Насадка для смешивания для модели 222140 (в комплекте)
222263	0,86 кг	250 мм	-	Насадка-венчик для моделей 221884 (опционально) и 221891 (опционально)
222225	0,82 кг	250 мм	Ø 35 мм	
222232	1,02 кг	300 мм	Ø 35 мм	
222249	1,28 кг	400 мм	Ø 35 мм	Насадка для смешивания для моделей 221884 (опционально) и 221891 (опционально)
222256	1,56 кг	500 мм	Ø 35 мм	

Примечание: Модель 222393 - комплект - охватывает 221884 + 222249 + 222263 + настенный кронштейн + монтажные комплекты [2 комплекта крепежных винтов, шайб и дюбелей].



Главные технические параметры

- Перед использованием устройства внимательно ознакомьтесь с данной инструкцией по эксплуатации. Она содержит важную информацию по безопасности пользователя, а также указания по использованию устройства и ухода за ним.
- Устройство предназначено для профессионального использования в кафе, ресторанах, гостиничных кухнях для приготовления смеси для мороженого, овощных супов, пюре, соусов, фарша, майонеза, томат-пюре, песто и т.п.
- Для того, чтобы в полной мере использовать возможности погружного блендера, следует хорошо изучить его функции.
- Уход за устройством заключается в нескольких простых действиях, которые может выполнять пользователь.
- Для обеспечения долговечности устройства и сокращения эксплуатационных расходов, следует соблюдать данную инструкцию.
- Устройство спроектировано производителем с мыслью о том, чтобы обеспечить безопасность использования. Снятие защит, установленных производителем, значительно понизит уровень безопасности использования устройства.
- С целью обеспечения безопасности следует действовать согласно инструкции во время установки и подключения устройства к сети электропитания.
- Установить устройство в рабочей среде с отсутствием коррозионных факторов.
- Установка не должна производиться во взрывоопасной зоне.
- Использовать исключительно ЗАПАСНЫЕ ЧАСТИ, которые поставляются в комплекте с устройством.
- Данная инструкция является интегральной составляющей устройства, поэтому следует ее хранить в безопасном месте. Функции, данные и рисунки, представленные в данной инструкции, являются исключительной собственностью производителя.
- Функции устройства позволяют приготовить следующие продукты питания в кратчайшее время: густых овощных пюре, супов, картофельного пюре, кремов, теста, майонеза, миндальной пасты, сливочных сырков и т.п.

RU

Подготовка перед установкой кронштейна к стене (только модель 222393)

Перед сборкой: Проверьте настенный кронштейн на предмет повреждений и комплектности монтажных комплектов (2 комплекта крепежных винтов, шайб и дюбелей). Если настенный кронштейн поврежден или некомплектный, НЕ ВЫПОЛНЯЙТЕ сборку.

Примечание:

- Обратитесь к квалифицированному подрядчику или специалисту, если вы не уверены в конструкции стены. Это необходимо для правильной и безопасной сборки устройства.
- По соображениям безопасности сборку должны выполнять квалифицированные специалисты.
- Расстояние между отверстиями для крепежных винтов должно составлять приблизительно 217 мм. Перед началом работы приведите в порядок место выполнения сборки.
- **Важная информация:** Перед началом сборки кронштейна убедитесь, что доступны все инструменты, такие, как отвертка, электрическая дрель, измерительный метр, карандаш (не входят в комплект).
- Кронштейн должен быть устойчиво прикреплен к стене с помощью двух крепежных винтов с дюбелями.
- Помните, что в зоне установки могут быть такие элементы, как каналы, электрические провода и трубы. Будьте особенно внимательны во время сборки.



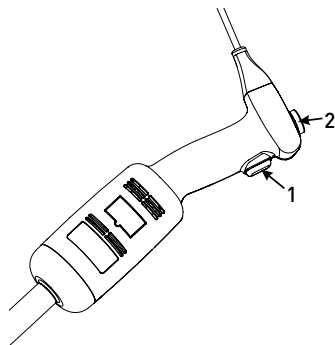
Инструкция по эксплуатации (Модель: 222140)

ВНИМАНИЕ! Перед подключением устройства к сети электропитания обязательно проверить, соответствует ли спецификация устройства на паспортной табличке параметрам розетки, к которой будет подключено данное устройство.

ВНИМАНИЕ: Модели 221884 и 221891 оснащены функцией блокировки, обеспечивающей непрерывную работу устройства.

ЭКСПЛУАТАЦИЯ УСТРОЙСТВА:

1. Убедиться, что устройство не подключено к источнику тока, перед установкой насадок.
2. Закрепить насадку для смешивания / насадку-вечник на корпусе.
3. Проверить, выключена (установлена в положении "плоском") ли кнопка вкл./выкл.
4. Подключить устройство к источнику питания.
5. Затем включить кнопку вкл./выкл. Произойдет запуск устройства. **СОБЛЮДАТЬ ОСТОРОЖНОСТЬ!**
6. Освободить кнопку вкл./выкл., чтобы выключить устройство.



RU

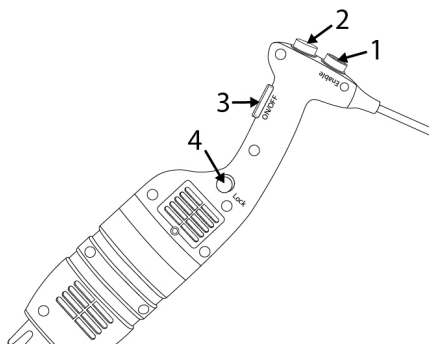
Инструкция по эксплуатации (модели: 221884, 221891, 222393):

ВНИМАНИЕ! Перед подключением устройства к сети электропитания обязательно проверить, соответствует ли спецификация устройства на паспортной табличке параметрам розетки, к которой будет подключено данное устройство.

ВНИМАНИЕ: Модели 221884 и 221891 оснащены функцией блокировки, обеспечивающей непрерывную работу устройства.

ЗАПУСК И ВЫКЛЮЧЕНИЕ УСРТОЙСТВА

1. Убедиться, что устройство не подключено к источнику тока, перед установкой.
2. Закрепить насадку для смешивания / насадку-вечник на корпусе.
3. Проверить, выключена (установлена в положении "плоском") ли кнопка вкл./выкл. (3).
4. Подключить устройство к источнику питания.
5. Сперва следует нажать и удерживать кнопку безопасности (1).
6. Затем следует включить кнопку вкл./выкл. (3) и удерживать одновременно с кнопкой безопасности. Произойдет запуск устройства. **СОБЛЮДАТЬ ОСТОРОЖНОСТЬ!**
7. Отпустите кнопку безопасности (1), прибор продолжит работать.
8. Освободить кнопку вкл./выкл. (3) чтобы выключить устройство.



НЕПРЕРЫВНАЯ РАБОТА:

Действовать согласно пунктам 1-7, описанных выше, после чего:

- С помощью кнопки ON / OFF (3) в положении «нажато». Нажмите кнопку блокировки (4) один раз.
- Отпустите кнопку ON / OFF (3) и прибор будет продолжать работать в непрерывном режиме.
- Нажать и освободить кнопку вкл./выкл. (3), чтобы выключить устройство.

Смена скорости (модели: 222140, 221884, 221891, 222393)

Действовать согласно пунктам 1-7, описанных выше, после чего:

- Переключить скорость работы двигателя, установив поворотную кнопку смены скорости (2) на высшее или низшее значение (по выбору). При использовании насадки-венчика рекомендуется работа устройства на низкой скорости. Благодаря системе автоматической регулировки скорости, установленная скорость остается постоянной даже в случае изменения консистенции смешиваемых ингредиентов.

ВНИМАНИЕ:

Функция миксера: Для обеспечения большего контроля рекомендуется придерживать ручки миксера и нижней части корпуса двигателя. Также рекомендуется слегка наклонить блендер так, чтобы край насадки не касался дна посуды. Всегда проверять, погружен ли край достаточно глубоко, чтобы избежать брызг и попадания жидкости в двигатель через вентиляционные отверстия. Для обеспечения оптимальной производительности, две трети насадки следует погрузить в приготавливаемой смеси.

Функция взбивания: также можно держать устройство одной рукой, а другой придерживать миску при необходимости. Во время взбивания рекомендуется осуществлять круговые движения венчиком в миске для обеспечения однородности массы. Следить, чтобы не касаться венчиком стенок миски. Для обеспечения максимальной производительности, следует погрузить минимум одну пятую длины насадки. Никогда не погружать ручку.

RU

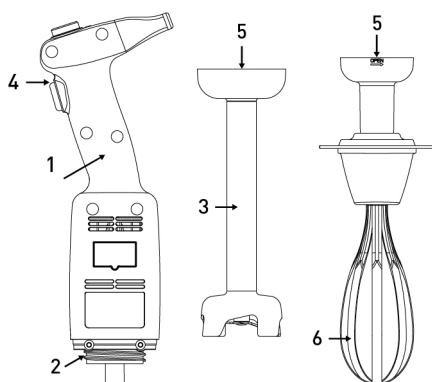


Установка / снятие насадок

Установка / снятие насадок устройства следует проводить, когда устройство выключено и отключено от сети питания.

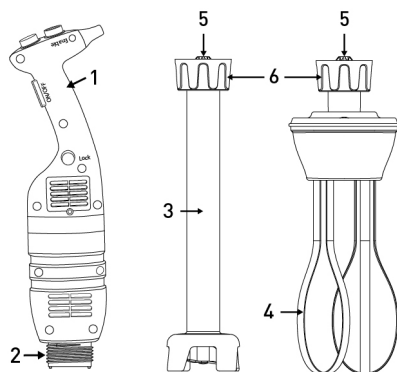
Установка: Модель 222140:

1. Вставить муфту (5) насадки для смешивания (3) или венчика (6) в муфту (2) корпуса устройства (1).
2. Прикрутить до упора насадку для смешивания (3) или венчик (6) к корпусу (1).



Установка: Модели 221884, 221891, 222393:

1. Вставить муфту (5) насадки для смешивания (3) или венчика (4) в муфту (2) корпуса устройства (1). Убедиться, совмещена ли более узкая сторона муфты устройства с вогнутой стороной муфты насадки для смешивания (3) или венчика (4).
2. Прикрутить до упора гайку (6) к корпусу (1).



Для снятия насадок следует произвести действия, описанные выше, в обратном порядке.

Инструкция чистки

Отключить устройство от сети питания, прежде чем приступить к чистке.

- После использования блендера в горячей смеси следует охладить насадку в холодной воде перед снятием раструба с насадки для смешивания. По окончании работы незамедлительно вымыть насадку, чтобы предотвратить прилипание остатков смеси.
- Никогда не погружать двигатель и ручку в воду, вытереть влажной тряпкой или губкой.
- Чистка насадки для смешивания и раструба: Поместить насадку и раструб в соответствующую посуду с чистой водой и включить устройство на несколько секунд.

- **ПРЕДУПРЕЖДЕНИЕ:** После мойки всегда следует тщательно высушить ножи, чтобы предотвратить появление ржавых пятен.
- Никогда не погружать двигатель и ручку в воду, вытереть влажной тряпкой или губкой.
- После каждого использования устройство следует вымыть при помощи чистящего или дезинфицирующего препарата. Не использовать отбеливателя. Для мойки пластиковых элементов не использовать алкалоидных чистящих средств.

Устранение неисправностей

В случае перебоев электропитания или отключения устройства, освободить кнопку вкл./выкл. (3), проверить питание и снова включить устройство. Если устройство будет выключено вследствие перегрева, освободить кнопку вкл./выкл. (3), отключить устройство от сети питания, подождать несколько минут, пока двигатель остынет, что приведет к перезагрузке предохранения от перегрева; затем снова включить устройство. Если невозможно установить причину неисправности: освободить кнопку вкл./выкл. (3), отклю-

чить устройство от сети питания и проверить:

1. вилку;
2. вращаются ли свободно лезвия ножа,
3. состояние кабеля питания,
4. вращается ли свободно приводной вал. Для этого необходимо снять раструб и вручную проверить, вращается ли наконечник вала.

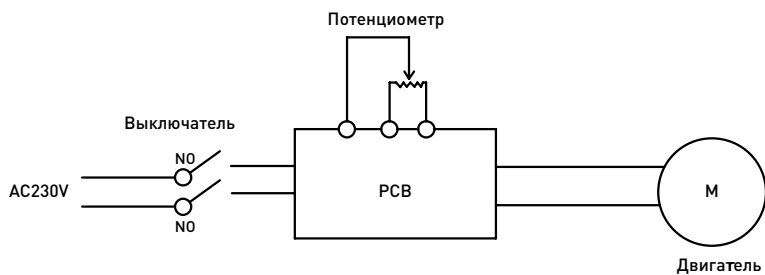
В случае аварии, которая не описана в инструкции, связаться с продавцом устройства или передать его в авторизованный сервисный центр.

RU

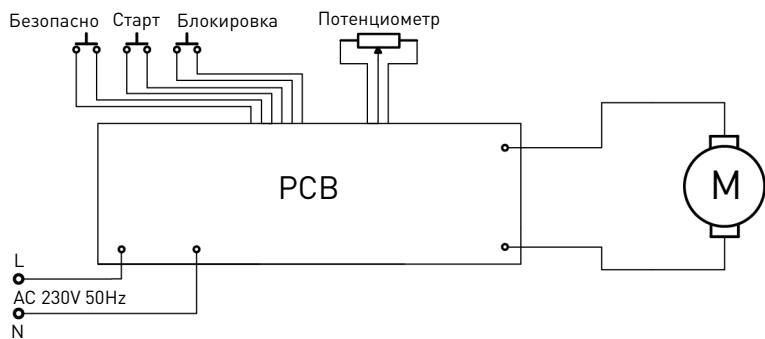


Электрическая схема

Модель: 222140



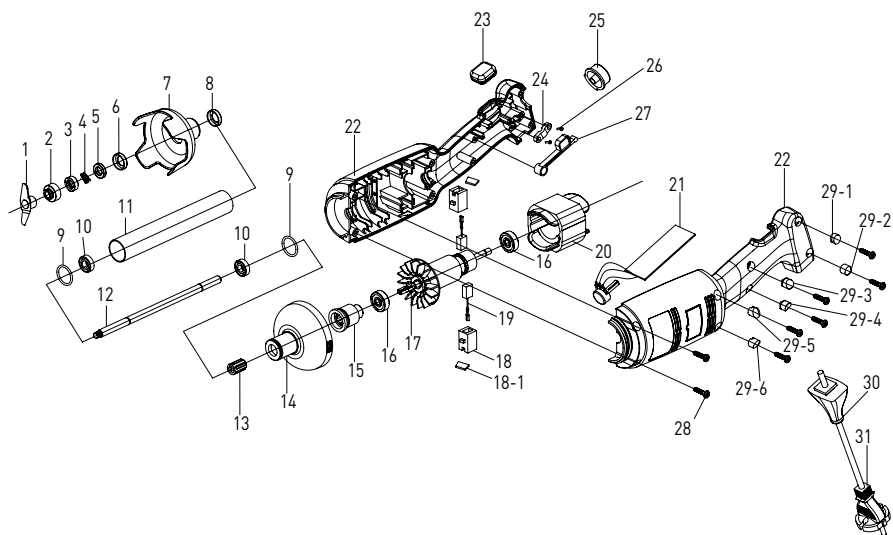
Модели: 221884 и 221891



RU



Взрыв схема и детализация модели 222140



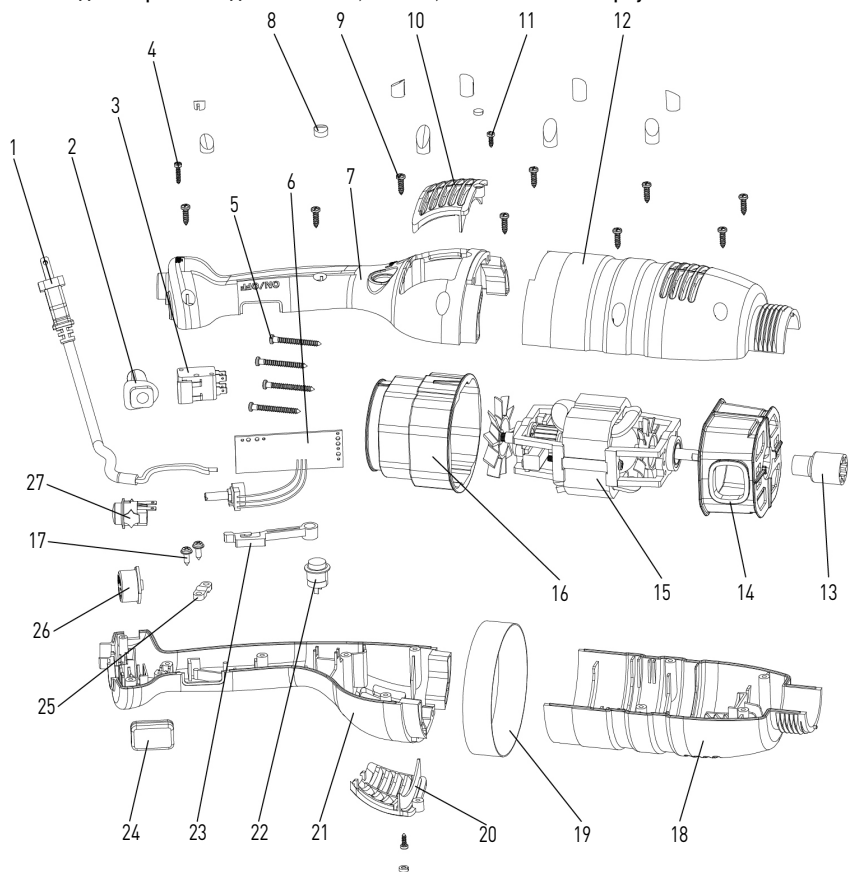
Детализация - модель 222140 корпус и насадка для смешивания

№.	Название запчасти	№.	Название запчасти	№.	Название запчасти
1	Нож	14	Пластиковый корпус рабочей части	26	Болт прижимной планки
2	Выпуклое кольцо	15	Втулка шпонки	27	Соединительный стержень переключателя
3	Графитовая кольцевая пружина	16	Подшипник	28	Болт корпуса
4	Графитовое кольцо	17	Ротор	29-1	Резьбовой стержень 28-1
5	Керамическое кольцо	18	Основание щетки	29-2	Резьбовой стержень 28-2
6	Керамическая втулка	18-1	Защитная крышка щетки	29-3	Резьбовой стержень 28-3
7	Защитный элемент для ножа	19	Щетка	29-4	Резьбовой стержень 28-4
8	Втулка подшипника	20	Статор	29-5	Резьбовой стержень 28-5
9	Уплотнительное кольцо	21	Блок управления скоростями	29-6	Резьбовой стержень 28-6
10	Подшипник W688Z	22	Корпус (левая и правая части)	30	Защитный элемент кабеля
11	Втулка из нержавеющей стали	23	Резиновый предохранитель блокировки	31	Кабель питания
12	Выходная ось	24	Прижимная планка		
13	Шпонка	25	Кнопка регулировки скорости		

RU



Взрыв схема и детализировка моделей 221884, 221891, 222393 (только корпус)

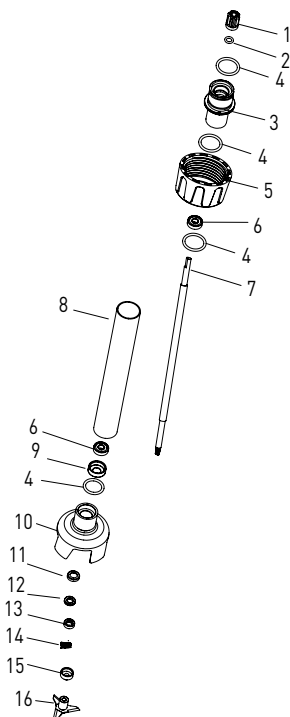


Детализировка моделей 221884, 221891, 222393 (только корпус)

Нр.	Название запчасти	Нр.	Название запчасти	Нр.	Название запчасти
1	Кабель питания	10	Крышка выхода воздуха	19	Кольцо
2	Кабельные стяжки	11	Болт прижимной планки	20	Крышка выхода воздуха
3	Переключатель	12	Корпус 2	21	Корпус 4
4	Болт прижимной планки	13	Втулка подшипника	22	Кнопка блокировки
5	Болт прижимной планки	14	Нижняя крышка двигателя	23	Соединительный стержень переключателя
6	Контроль управления платой PCB	15	Двигатель	24	Гнездо переключателя
7	Корпус 1	16	Верхняя крышка двигателя	25	Прижимная планка
8	Резьбовой стержен	17	Болт прижимной планки	26	Кнопка регулировки скорости
9	Болт прижимной планки	18	Корпус 3	27	Кнопка безопасности

Насадки для смешивания (опционально) для моделей 221884, 221891



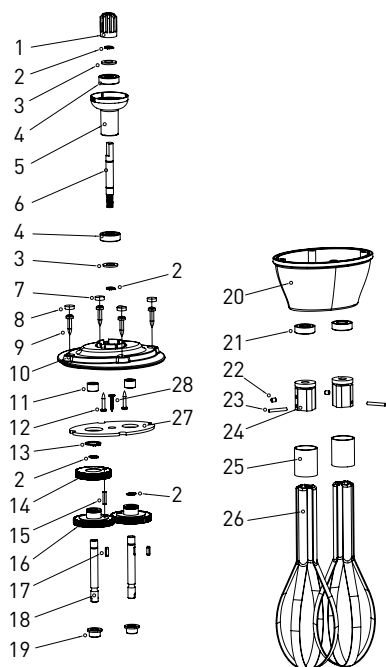


Детализовка - насадки для смешивания (опционально): 222225, 222232, 222249, 222256

Нр.	Название запчасти	Нр.	Название запчасти	Нр.	Название запчасти
1	Втулка подшипника	7	Выходная ось (в зависимости от модели)	13	Графитовое кольцо
2	Уплотнительное кольцо втулки подшипника	8	Втулка из нержавеющей стали 304 (в зависимости от модели)	14	Графитовая кольцевая пружина
3	Соединительная втулка	9	Втулка подшипника	15	Выпуклое кольцо
4	Уплотнительное кольцо соединительной втулки	10	Защитный элемент для ножа	16	Нож
5	Крепежная втулка	11	Керамическая втулка		
6	Подшипник 608	12	Керамическое кольцо		



Насадка-венчик (опционально) для модели 222140

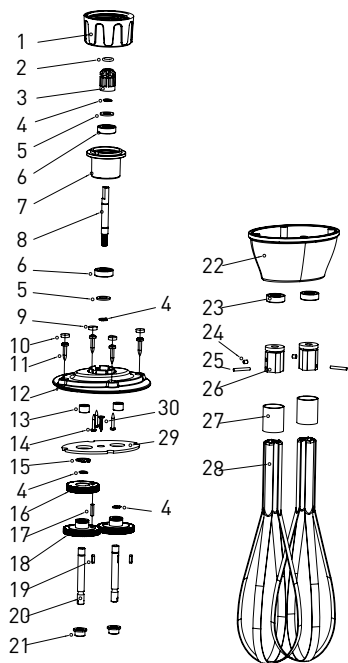


Детализовка - насадка-венчик (опционально): модель 222164

Нр.	Название запчасти	Нр.	Название запчасти	Нр.	Название запчасти
1	Втулка подшипника	11	Игольчатый подшипник	21	Уплотнительная прокладка для масла
2	Пружинное кольцо Ф8	12	Болт	22	Болт М4х5
3	Прокладка подшипника	13	Пружинное кольцо Ф16	23	Цилиндрический шип
4	Подшипник	14	Подшипник винтовой шестерни	24	Крепежная планка
5	Соединительная втулка	15	Цилиндрический шип	25	Стальное кольцо
6	Подшипник винтовой шестерни	16	Прямая шестерня	26	Стальной прут
7	Резьбовой стержень 2	17	Кнопка	27	Решетка
8	Резьбовой стержень 1	18	Выходная ось	28	Болт
9	Болт корпуса	19	Втулка насадки		
10	Верхняя крышка	20	Нижняя крышка		



Насадка-венчик (опционально) для моделей 221884 и 221891



Детализовка - насадка-венчик (опционально): модель 222263

Нр.	Название запчасти	Нр.	Название запчасти	Нр.	Название запчасти
1	Крепежная втулкаа	11	Болт корпуса	21	Втулка насадки
2	Уплотнительное кольцо втулки подшипника	12	Верхняя крышка	22	Нижняя крышка
3	Втулка подшипника	13	Игольчатый подшипник	23	Уплотнительная прокладка для масла
4	Пружинное кольцо Ф8	14	Болт	24	Болт М4х5
5	Уплотнительная прокладка для масла	15	Пружинное кольцо Ф16	25	Цилиндрический шип
6	Подшипник	16	Подшипник винтовой шестерни	26	Крепежная планка
7	Соединительная втулка	17	Цилиндрический шип	27	Стальное кольцо
8	Подшипник винтовой шестерни	18	Прямая шестерня	28	Стальной прут
9	Резьбовой стержень 2	19	Кнопка	29	Решетка
10	Резьбовой стержень 1	20	Выходная ось	30	Болт

RU



Гарантия

Любая неподелка или поломка, которая влечет за собой неправильную работу устройства, которая будет выявлена в течение первого года от даты покупки, будет устранена бесплатно, или же все устройство будет заменено новым, если оно эксплуатировалось и обслуживалось согласно инструкции по обслуживанию и не использовалось неправильно, или в разрез с назначением. Данное положение ни в коей мере не нарушает иных прав потребителя, изложенных в законо-

дательстве. В случае заявления устройства в ремонт или на замену в рамках гарантии, следует указать место и дату покупки устройства и приложить счет, или чековую квитанцию.

Согласно нашей политике совершенствования наших продуктов оставляем за собой право на внос изменений в конструкцию, упаковку и в технические параметры, указываемые в технической документации без предупреждения.

Утилизация и защита окружающей среды

В случае вывода оборудования из эксплуатации, продукт нельзя утилизировать вместе с другими бытовыми отходами. Пользователь несет ответственность за передачу оборудования в соответствующий пункт приема техники бывшей в употреблении. Несоблюдение вышеуказанного положения может привести к наложению штрафов в соответствии с действующими правилами в отношении утилизации отходов. Селективный сбор и утилизация использованного оборудования способствуют сохранению природных ресурсов и обеспечивают рециркуляцию таким

образом, который не вреден для здоровья и окружающей среды.

Для получения дополнительной информации о том, где можно отдать использованное оборудование для утилизации, обратитесь в местную компанию по сбору отходов. Производитель и импортер не несут ответственности за рециркуляцию и переработку отходов экологически безопасным способом, как непосредственно, так и в рамках государственной системы.

Αγαπητέ πελάτη,

Ευχαριστούμε που αγοράσατε αυτό το προϊόν HENDI. Διαβάστε προσεκτικά το παρόν εγχειρίδιο πριν συνδέσετε τη συσκευή, προκειμένου να προλάβετε πιθανή βλάβη που μπορεί να οφείλεται σε λανθασμένη χρήση. Διαβάστε ιδίως τους κανονισμούς ασφαλείας πολύ προσεκτικά.

Κανονισμοί ασφαλείας

- Η συσκευή προορίζεται μόνο για επαγγελματική χρήση.
- Χρησιμοποιείτε μόνο τη συσκευή για τον επιδιωκόμενο σκοπό για τον οποίο σχεδιάστηκε όπως περιγράφεται στο παρόν εγχειρίδιο.
- Ο κατασκευαστής δεν ευθύνεται για τυχόν ζημιές που προκαλούνται από λανθασμένη λειτουργία και ακατάλληλη χρήση.
- Κρατήστε τη συσκευή και το ηλεκτρικό βύσμα μακριά από νερό και άλλα υγρά. Σε περίπτωση που η συσκευή πέσει στο νερό, αφαιρέστε αμέσως το βύσμα τροφοδοσίας από την πρίζα. Μην χρησιμοποιείτε τη συσκευή μέχρι να ελεγχθεί από πιστοποιημένο τεχνικό. Η μη τήρηση αυτών των οδηγιών θα προκαλέσει απειλητικούς κινδύνους για τη ζωή.
- Ποτέ μην επιχειρήσετε να ανοίξετε μόνοι σας το περίβλημα της συσκευής.
- Μην εισάγετε αντικείμενα στο περίβλημα της συσκευής.
- Μην αγγίζετε το βύσμα με βρεγμένα ή υγρά χέρια.
- ⚡ **ΚΙΝΔΥΝΟΣ ΗΛΕΚΤΡΟΠΛΗΞΙΑΣ!** Μην επιχειρήσετε να επισκευάσετε τη συσκευή μόνοι σας, οι επισκευές πρέπει να πραγματοποιούνται μόνο από εξειδικευμένο προσωπικό.
- **Ποτέ μην χρησιμοποιείτε μια κατεστραμμένη συσκευή!** Όταν είναι κατεστραμμένο, αποσυνδέστε τη συσκευή από την πρίζα και επικοινωνήστε με το κατάστημα λιανικής πώλησης.
- **ΠΡΟΕΙΔΟΠΟΙΗΣΗ!** Μην βυθίζετε τα ηλεκτρικά μέρη της συσκευής σε νερό ή άλλα υγρά.
- Ποτέ μην κρατάτε τη συσκευή κάτω από τρεχούμενο νερό.
- Ελέγχετε τακτικά το βύσμα τροφοδοσίας και το καλώδιο για τυχόν ζημιές. Σε περίπτωση βλάβης, πρέπει να αντικατασταθεί από αντιπρόσωπο εξυπηρέτησης ή με παρόμοια προσόντα, ώστε να αποφεύγεται ο κίνδυνος ή ο τραυματισμός.
- Βεβαιωθείτε ότι το καλώδιο δεν έρχεται σε επαφή με αιχμηρά ή ζεστά αντικείμενα και κρατήστε το μακριά από ανοιχτή φωτιά. Μην τραβάτε ποτέ το καλώδιο τροφοδοσίας για να το αποσυνδέσετε από την πρίζα, πάντα τραβάτε το βύσμα.
- Βεβαιωθείτε ότι το καλώδιο τροφοδοσίας ή/και το καλώδιο προέκτασης δεν προκαλούν κίνδυνο διαφυγής.
- Μην αφήνετε ποτέ τη συσκευή αφύλακτη κατά τη χρήση.
- **ΠΡΟΕΙΔΟΠΟΙΗΣΗ!** Όσο το βύσμα βρίσκεται στην πρίζα, η συσκευή είναι συνδεδεμένη με την πηγή τροφοδοσίας.
- Απενεργοποιήστε τη συσκευή πριν την αποσυνδέσετε από την πρίζα.
- Συνδέστε το βύσμα ρεύματος σε μια εύκολα προσβάσιμη πρίζα, ώστε σε περίπτωση ανάγκης να αποσυνδεθεί αμέσως η συσκευή.
- Ποτέ μην μεταφέρετε τη συσκευή από το καλώδιο.


GR



- Μην χρησιμοποιείτε επιπλέον συσκευές που δεν παρέχονται μαζί με τη συσκευή.
- Συνδέστε τη συσκευή μόνο σε πρίζα με την τάση και τη συχνότητα που αναφέρονται στην ετικέτα της συσκευής.
- Ποτέ μην χρησιμοποιείτε εξαρτήματα εκτός από αυτά που συνιστώνται από τον κατασκευαστή. Εάν δεν γίνει κάτι τέτοιο, θα μπορούσε να αποτελέσει κίνδυνο για την ασφάλεια του χρήστη και θα μπορούσε να προκαλέσει βλάβη στη συσκευή. Χρησιμοποιείτε μόνο αυθεντικά εξαρτήματα και αξεσουάρ.
- Η συσκευή αυτή δεν πρέπει να λειτουργεί από άτομα με μειωμένες σωματικές, αισθητηριακές ή διανοητικές ικανότητες ή άτομα με έλλειψη εμπειρίας και γνώσης.
- Αυτή η συσκευή δεν πρέπει, σε καμία περίπτωση, να χρησιμοποιείται από παιδιά.
- Κρατήστε τη συσκευή και το καλώδιο τροφοδοσίας μακριά από παιδιά.
- **ΠΡΟΕΙΔΟΠΟΙΗΣΗ:** Πάντα απενεργοποιείτε τη συσκευή και αποσυνδέστε την πρίζα πριν από τον καθαρισμό, τη συντήρηση ή την αποθήκευση.

Ειδικοί Κανονισμοί Ασφαλείας

- Χρησιμοποιήστε τη συσκευή μόνο όπως περιγράφεται σε αυτό το εγχειρίδιο. Μόνο για χρήση σε εσωτερικό χώρο.
- Αυτή η συσκευή πρέπει να χρησιμοποιείται από εκπαιδευμένο προσωπικό.
- Να αποσυνδέετε πάντα τη συσκευή από το ρεύμα εάν αφήνεται χωρίς επιτήρηση και πριν από εργασίες συναρμολόγησης, αποσυναρμολόγησης ή καθαρισμού.
- Μην στρέφετε τη διάταξη λεπίδων προς οποιοδήποτε άτομο κατά τη διάρκεια χρήσης της συσκευής.
- Μην αγγίζετε τις λεπίδες και τα κινούμενα μέρη. Διατηρείτε δάχτυλα, μαλλιά, ρούχα και σκεύη μακριά από όλα τα κινούμενα μέρη.
- Σκουπίστε καλά τη συσκευή και όλα τα εξαρτήματα πριν συνδέσετε τη συσκευή στην παροχή ρεύματος και πριν τοποθετήσετε εξαρτήματα.
- **ΚΙΝΔΥΝΟΣ ΤΡΑΥΜΑΤΙΣΜΟΥ!** Χειριστείτε τις λεπίδες με μεγάλη προσοχή καθώς είναι πολύ αιχμηρή.
- Μην προσθέτετε ποτέ υλικά στο δοχείο ενώ η συσκευή βρίσκεται σε λειτουργία.
- **ΠΡΟΕΙΔΟΠΟΙΗΣΗ!** Αποσυνδέετε τη συσκευή από την πρίζα αμέσως μετά τη χρήση, πριν αφαιρέσετε ή αλλάξετε εξαρτήματα.
- Αυτό το προϊόν είναι μια συσκευή χειρός που προορίζεται για την επεξεργασία τροφίμων σε δοχείο.
- Όλες οι εργασίες συντήρησης, εγκατάστασης και επισκευής πρέπει να εκτελούνται από εξειδικευμένους εξουσιοδοτημένους τεχνικούς.
- **ΠΡΟΕΙΔΟΠΟΙΗΣΗ:** Κατά τη διάρκεια της λειτουργίας, διατηρείτε τα χέρια σας και άλλα αντικείμενα μακριά από το δοχείο για να μειώσετε τον κίνδυνο σοβαρού τραυματισμού ή/και βλάβης του μπλέντερ.
- Μην χρησιμοποιείτε τη συσκευή συνεχόμενα για πολλή ώρα για την αποφυγή υπερθέρμανσης του κινητήρα. Ο χρόνος συνεχούς λειτουργίας δεν πρέπει να υπερβαίνει τα 3 λεπτά. Χρησιμοποιήστε ξανά την συσκευή μόνο αφού κρυώσει.

- Μην πλένετε τη συσκευή με νερό ή εκτοξευτήρα νερού. Το πλύσιμο με νερό μπορεί να προκαλέσει διαρροές και να αυξήσει τον κίνδυνο ηλεκτροπληξίας. Τα εξαρτήματα δεν είναι κατάλληλα για πλυντήριο πιάτων.
- Τοποθετήστε το καλώδιο τροφοδοσίας με τέτοιο τρόπο ώστε να μην είναι δυνατό ακούσιο τράβηγμα ή απενεργοποίηση.
- Μην καθαρίζετε ή αποθηκεύετε τη συσκευή εάν δεν έχει κρυώσει πλήρως.
-  Η συσκευή αυτή ταξινομείται στην κατηγορία προστασίας II.

Για τοποθέτηση του βραχίονα τοίχου του προϊόντος 222393, διαβάστε προσεκτικά παρακάτω τις σημαντικές προειδοποιήσεις ασφαλείας:

- Η τοποθέτηση θα πρέπει να πραγματοποιηθεί από εξειδικευμένο τεχνικό για λόγους ασφάλειας.
- Βεβαιωθείτε πριν από την εγκατάσταση ότι ο τοίχος μπορεί να στηρίξει με ασφάλεια όλη τη συσκευή και τα εξαρτήματά της.
- Βεβαιωθείτε ότι δεν υπάρχουν ηλεκτρικά καλώδια, παροχές νερού, αερίου ή άλλες παροχές κοντά στο σημείο εγκατάστασης.
- Συμβουλευτείτε έναν ειδικό εργολάβο ή τεχνικό εγκατάστασης για βοήθεια, εάν δεν είστε σίγουροι σχετικά με τη δομή του τοίχου.
- Σφίξτε καλά, αλλά όχι υπερβολικά, τις βίδες. Το υπερβολικό σφίξιμο μπορεί να προκαλέσει ζημιά στις βίδες, μειώνοντας σημαντικά την ισχύ συγκράτησης.
- Κατά τη διάρκεια της τοποθέτησης, κρατήστε μακριά κατοικίδια ζώα και παιδιά.
- **ΠΡΟΕΙΔΟΠΟΙΗΣΗ!** Μην τοποθετείτε στον βραχίονα άλλα αντικείμενα πέραν της συσκευής για να αποτρέψετε τυχόν υπερφόρτωσή του.

GR

Προβλεπόμενη χρήση

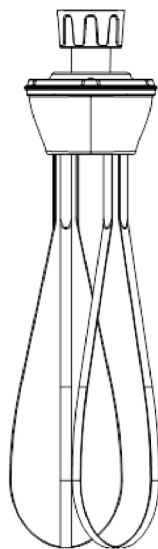
- Η συσκευή προορίζεται για επαγγελματική χρήση.
- Η συσκευή παρέχεται αποκλειστικά για την πολτοποίηση και την ανάμιξη ζεστών και κρύων υλικών. Είναι κατάλληλη για την παρασκευή σούπας, πουρέ, κρέμας, ζαχαρόπαστας, κλπ απευθείας στο σκεύος. Οποιαδήποτε άλλη χρήση μπορεί να προκαλέσει ζημιά στη συσκευή ή τραυματισμό.
- Η χρήση της συσκευής για οποιονδήποτε άλλο σκοπό θεωρείται εσφαλμένη. Ο χρήστης είναι αποκλειστικά υπεύθυνος για την μη.



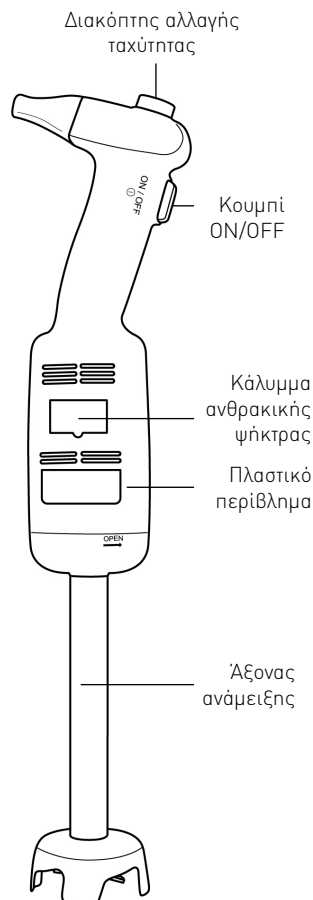
Περιγραφή προϊόντος



Αναδευτήρας (παρέχεται μόνο στο μοντέλο 222393)



- 221884 με επιπλέον άξονα ανάμειξης (δεν παρέχεται)
- 221891 με επιπλέον άξονα ανάμειξης (δεν παρέχεται)
- 222393 με άξονα ανάμειξης 400 mm

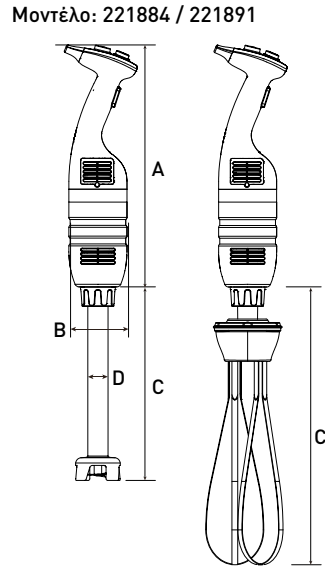
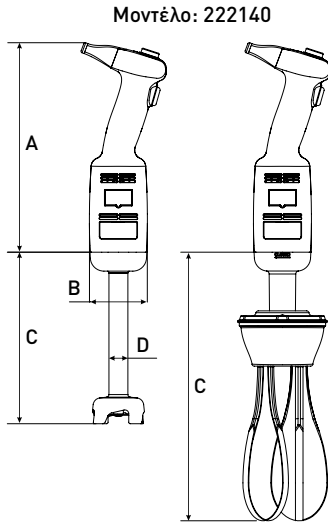


222140

GR



Κύριες τεχνικές παράμετροι



Τεχνικές προδιαγραφές

Κωδικός	Τάση τροφοδοσίας	Ισχύς	Ταχύτητα περιστροφής	Βάρος συσκευής χωρίς τον άξονα ανάμειξης ή τον αναδευτήρα	A (Μήκος)	B (Διάμετρος)
222140	230 V/50 Hz	220 W	4,000 ~ 20,000 rpm	1,15 kg	304 mm	Ø 75 mm
221884	230 V/50 Hz	350 W	4,000 ~ 16,000 rpm	2,35 kg	416 mm	Ø 100 mm
221891	230 V/50 Hz	500 W	4,000 ~ 16,000 rpm	2,55 kg	416 mm	Ø 100 mm

Σημείωση: Οι τεχνικές προδιαγραφές μπορούν να τροποποιηθούν χωρίς προηγούμενη ειδοποίηση.

Πίνακας εξαρτημάτων αξόνων και αναδευτήρων. Τα παρακάτω εξαρτήματα δεν περιλαμβάνονται:

Κωδικός	Βάρος περίπου	C (Μήκος)	D (Διάμετρος)	Περιγραφή
222164	0,81 kg	185 mm	-	Αναδευτήρας για το μοντέλο 222140 (προαιρετικό)
-	0,52 kg	160 mm	Ø 28 mm	Άξονας ανάμειξης για το μοντέλο 222140 (προαιρετικό)
222263	0,86 kg	250 mm	-	Αναδευτήρας για τα μοντέλα 221884 (προαιρετικό) και 221891 (προαιρετικό)
222225	0,82 kg	250 mm	Ø 35 mm	
222232	1,02 kg	300 mm	Ø 35 mm	
222249	1,28 kg	400 mm	Ø 35 mm	Άξονας ανάμειξης για τα μοντέλα 221884 (προαιρετικό) και 221891 (προαιρετικό)
222256	1,56 kg	500 mm	Ø 35 mm	

Σημείωση: Σει εξαρτημάτων μοντέλου 222393 = 221884 + 222249 + 222263 + Βραχίονας τοίχου + κιτ εγκατάστασης (2 σετ βιδών στερέωσης, δακτυλίων και μπουλονιών επέκτασης).



Εισαγωγή

- Πρέπει να διαβάσετε προσεκτικά το παρόν εγχειρίδιο χρήσης πριν χρησιμοποιήσετε τη συσκευή. Περιέχει σημαντικές πληροφορίες για την ασφάλειά σας, καθώς και οδηγίες λειτουργίας και συντήρησης.
- Η συσκευή παρέχεται για επαγγελματική χρήση σε καταστήματα πώλησης παγωτού, εστιατόρια, κουζίνες ξενοδοχείων για την παρασκευή μειγμάτων παγωτού, σούπας λαχανικών, πουρέ, σαλτσών, γεμίσεων, μαγιονέζας, σάλτσας τομάτας, πέστο κλπ.
- Εάν επιθυμείτε να αξιοποιήσετε με τον καλύτερο δυνατό τρόπο όλες τις δυνατότητες του ραβδομπλέντερ, πρέπει να είστε εξοικειωμένοι με τα χαρακτηριστικά απόδοσης και λειτουργίας του.
- Για τη συντήρηση του ραβδομπλέντερ απαιτούνται μόνο μερικές απλές εργασίες που μπορεί να εκτελέσει και ο χρήστης του ραβδομπλέντερ.
- Για να εξασφαλίσετε μεγάλη διάρκεια ζωής και να ελαχιστοποιήσετε το κόστος λειτουργίας, ακολουθείτε προσεκτικά τις οδηγίες που περιέχονται στο παρόν εγχειρίδιο.
- Ο κατασκευαστής έχει σχεδιάσει το ραβδομπλέντερ με τρόπο που εξασφαλίζονται ασφαλείς συνθήκες λειτουργίας. Η κατάργηση των χαρακτηριστικών

ασφαλείας που έχουν εγκατασταθεί από τον κατασκευαστή υποβαθμίζουν σοβαρά τις εγγυόμενες συνθήκες ασφάλειας.

- Για λόγους ασφαλείας, ακολουθείτε τις οδηγίες σχετικά με την τοποθέτηση και τη σύνδεση της συσκευής στην παροχή ρεύματος.
- Η συσκευή πρέπει να τοποθετηθεί σε περιβάλλον εργασίας χωρίς διαβρωτικά μέσα.
- Η περιοχή τοποθέτησης δεν πρέπει να ενέχει κινδύνους έκρηξης.
- Χρησιμοποιείτε μόνο γνήσια ΑΝΤΑΛΛΑΚΤΙΚΑ.
- Το παρόν εγχειρίδιο οδηγιών αποτελεί αναπόσπαστο μέρος του ραβδομπλέντερ και πρέπει να φυλάσσεται σε ασφαλές μέρος.
- Τα χαρακτηριστικά, οι πληροφορίες και τα σχέδια που περιέχονται στο παρόν εγχειρίδιο αποτελούν αποκλειστική ιδιοκτησία της κατασκευάστριας εταιρείας.
- Οι λειτουργίες της συσκευής επιτρέπουν την παρασκευή των παρακάτω τύπων φαγητού σε ελάχιστο χρόνο: παχύρρευστο πουρέ λαχανικών, σούπες, πουρέ πατάτας, κρέμες, κυλούς, ζύμες, μαγιονέζα, πολτό αμυγδαλού, τυρί κρέμα κλπ.

GR

Προετοιμασία πριν από την τοποθέτηση του βραχίονα στον τοίχο (Μόνο για το προϊόν 222393)

Πριν από την τοποθέτηση: Ελέγξτε τον βραχίονα τοίχου για τυχόν ζημιές και την πληρότητα του κιτ εγκατάστασης (2 σετ βιδών στερέωσης, δακτυλίων και μπουλονιών επέκτασης). ΜΗΝ προχωρήσετε στην τοποθέτηση, εάν κάποιο εξάρτημα λείπει ή έχει υποστεί φθορά.

Σημείωση:

- Συμβουλευτείτε έναν ειδικό εργολάβο ή τεχνικό εγκατάστασης, εάν δεν είστε σίγουροι σχετικά με τη δομή του τοίχου και βεβαιωθείτε ότι η διαδικασία εκτελείται σωστά και με ασφάλεια.
- Η τοποθέτηση θα πρέπει να πραγματοποιηθεί από εξειδικευμένο τεχνικό για λόγους ασφαλείας.
- Η απόσταση ανάμεσα στις οπές των βιδών τοποθέτησης θα πρέπει να είναι περίπου 217mm. Αδειάστε την γύρω περιοχή πριν την τοποθέτηση.
- Σημαντικό: Πριν ξεκινήσετε την τοποθέτηση του βραχίονα στον τοίχο, βεβαιωθείτε ότι έχετε δίπλα σας όλα τα εργαλεία που θα χρειαστείτε, όπως κατσαβίδι, ηλεκτρικό τρυπάνι, ταινία μέτρησης, μολύβι (δεν περιλαμβάνονται όλα).
- Ο βραχίονας πρέπει να τοποθετηθεί με ασφάλεια στον τοίχο, χρησιμοποιώντας δύο βίδες τοποθέτησης και μπουλόνια επέκτασης.
- Να θυμάστε ότι πίσω από την επιφάνεια εργασίας ενδέχεται να υπάρχουν κρυφά στοιχεία, όπως αγωγοί, ηλεκτρικά καλώδια και σωλήνες νερού. Κατά την τοποθέτηση απαιτείται ιδιαίτερη προσοχή.



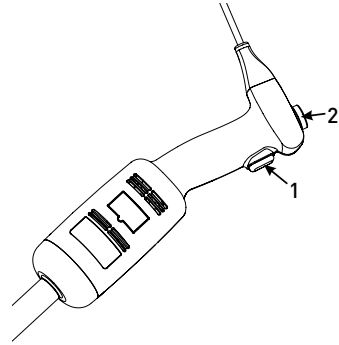
Οδηγίες λειτουργίας (Μοντέλο 222140)

ΠΡΟΣΟΧΗ: Πριν συνδέσετε τη συσκευή στην παροχή ρεύματος, βεβαιωθείτε ότι η τροφοδοσία ρεύματος αντιστοιχεί στα στοιχεία τροφοδοσίας που εμφανίζονται στην ετικέτα βαθμονόμησης της συσκευής.

ΣΗΜΕΙΩΣΗ: Δεν υπάρχει λειτουργία κλειδώματος για συνεχή λειτουργία για το μοντέλο 222140.

Λειτουργία της συσκευής:

1. Πριν τη συναρμολόγηση της συσκευής, βεβαιωθείτε ότι είναι αποσυνδεδεμένη από την παροχή ρεύματος.
2. Συνδέστε τον άξονα ανάμειξης/αναδευτήρα στην κύρια μονάδα.
3. Βεβαιωθείτε ότι το κουμπί ON/OFF (1) βρίσκεται στην (επίπεδη) θέση μη ενεργοποίησης.
4. Συνδέστε τη συσκευή στην παροχή ρεύματος.
5. Πατήστε το κουμπί ON/OFF (1). Η συσκευή θα ενεργοποιηθεί. ΠΡΟΣΕΧΕΤΕ!
6. Για να απενεργοποιήσετε τη συσκευή, πρέπει να απελευθερώσετε το κουμπί ON/OFF (1).



Οδηγίες λειτουργίας (Μοντέλα 221884, 221891 & 222393)

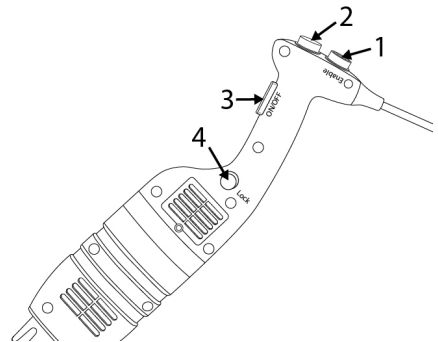
ΠΡΟΣΟΧΗ: Πριν συνδέσετε τη συσκευή στην παροχή ρεύματος, βεβαιωθείτε ότι η τροφοδοσία ρεύματος αντιστοιχεί στα στοιχεία τροφοδοσίας που εμφανίζονται στην ετικέτα βαθμονόμησης της συσκευής.

ΣΗΜΕΙΩΣΗ: Υπάρχει λειτουργία κλειδώματος για συνεχή λειτουργία για τα μοντέλα 221884 & 221891.

GR

Ενεργοποίηση και απενεργοποίησης της συσκευής

1. Πριν τη συναρμολόγηση της συσκευής, βεβαιωθείτε ότι είναι αποσυνδεδεμένη από την παροχή ρεύματος.
2. Συνδέστε τον άξονα ανάμειξης/αναδευτήρα στην κύρια μονάδα.
3. Βεβαιωθείτε ότι το κουμπί ON/OFF (3) βρίσκεται στην (επίπεδη) θέση μη ενεργοποίησης.
4. Συνδέστε τη συσκευή στην παροχή ρεύματος.
5. Πατήστε και κρατήστε πατημένο το κουμπί ασφαλείας (1).
6. Στη συνέχεια, πατήστε και το κουμπί ON/OFF (3). Η συσκευή θα ενεργοποιηθεί. ΠΡΟΣΕΧΕΤΕ!
7. Αφήστε το κουμπί ασφαλείας (1), η συσκευή θα συνεχίσει να λειτουργεί.
8. Για να απενεργοποιήσετε τη συσκευή, πρέπει να απελευθερώσετε το κουμπί ON/OFF (3).



Συνεχής λειτουργία της συσκευής:

Ακολουθήστε τα παραπάνω βήματα από το 1 έως το 7:

- Με το κουμπί ON / OFF (3) στη θέση «πιεσμένο».
- Πατήστε το κουμπί κλειδώματος (4) μόνο μία φορά.
- Αφήστε το κουμπί ON / OFF (3) και η συσκευή θα συνεχίσει να λειτουργεί με συνεχόμενο τρόπο.

- Για να απενεργοποιήσετε τη συσκευή, πατήστε και απελευθερώστε το κουμπί ON/OFF (3).

Λειτουργία αλλαγής ταχύτητας (Μοντέλα 222140, 221884, 221891 & 222393)

Ακολουθήστε τα παραπάνω βήματα από το 1 έως το 7:

- Αλλάξτε την ταχύτητα του μοτέρ περιστρέφοντας το κουμπί αλλαγής ταχύτητας (2) προς τη μέγιστη ή την ελάχιστη. Συνιστάται η συσκευή να εκκινείται με χαμηλή ταχύτητα όταν χρησιμοποιείται ο

αναδευτήρας. Με το σύστημα αυτόματης ρύθμισης ταχύτητας, η επιλεγμένη ταχύτητα θα παραμένει σταθερή, ακόμη και αν αλλάξει η σύνθεση του μείγματος σας.

ΣΗΜΕΙΩΣΕΙΣ:

Λειτουργία μπλέντερ: Για καλύτερο έλεγχο, συνιστάται να κρατάτε το ραβδομπλέντερ από τη λαβή και από το κάτω μέρος της μονάδας μοτέρ. Συνιστάται, επίσης, να κρατάτε λοξά το ραβδομπλέντερ για να μην ακουμπά η διάταξη λεπίδων στο κάτω μέρος του σκεύους. Βεβαιωθείτε ότι η διάταξη λεπίδων καλύπτεται πλήρως από τα υλικά για να αποφύγετε εκτίναξη υλικού και να μην έρθουν σε επαφή με υγρά οι οπές εξασερισμού της μονάδας μοτέρ. Για βέλτιστη απόδοση, τα δύο τρίτα του βραχίονα ανάμειξης πρέπει να καλύπτονται από τα υλικά.

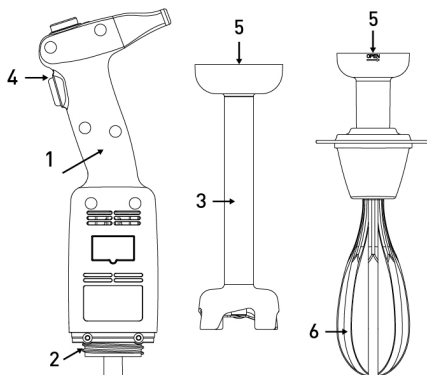
Λειτουργία αναδευτήρα: Μπορείτε με το ένα σας χέρι να κρατήσετε τη συσκευή και με το άλλο το σκεύος. Κατά τη διάρκεια της λειτουργίας προτείνουμε να μετακινείτε τον αναδευτήρα μέσα στο σκεύος για καλύτερη ομοιογένεια του μείγματος. Διατηρείτε τον αναδευτήρα μακριά από τις άκρες του σκεύους. Για βέλτιστη απόδοση, το ένα πέμπτο του αναδευτήρα πρέπει να καλύπτονται από τα υλικά. Ποτέ μην βυθίζετε μέσα στα υλικά ολόκληρο τον βραχίονα του αναδευτήρα.

Συναρμολόγηση/Αποσυναρμολόγηση εξαρτημάτων

Πριν από εργασίες συναρμολόγησης/αποσυναρμολόγησης, η συσκευή πρέπει να απενεργοποιείται και να αποσυνδέεται από την παροχή ρεύματος.

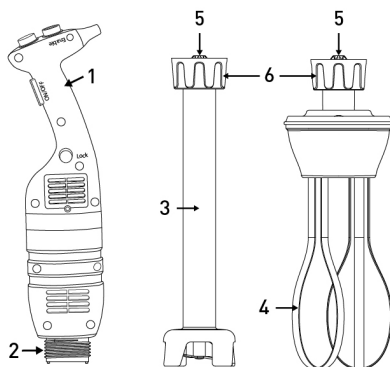
Συναρμολόγηση: Μοντέλο 222140:

1. Ευθυγραμμίστε και τοποθετήστε τον σύνδεσμο (5) του άξονα ανάμειξης (3) ή του αναδευτήρα (6) στον σφιγκτήρα (2) της κύριας μονάδας (1).
2. Βιδώστε καλά τον βραχίονα ανάμειξης (3) ή τον αναδευτήρα (6) στην κύρια μονάδα (1).



Συναρμολόγηση: Μοντέλο 221884, 221891 και 222393:

1. Ευθυγραμμίστε και τοποθετήστε τον σύνδεσμο (5) του άξονα ανάμειξης (3) ή του αναδευτήρα (4) στον σφιγκτήρα (2) της κύριας μονάδας (1). Βεβαιωθείτε ότι το πιο στενό μέρος του συνδέσμου της συσκευής βρίσκεται στην κοίλη πλευρά του συνδέσμου βραχίονα άξονα μπλέντερ (3) ή του αναδευτήρα (4).
2. Βιδώστε καλά το παξιμάδι (6) στην κύρια μονάδα (1).



Ακολουθήστε τα παραπάνω βήματα με την αντίστροφη σειρά για να αποσυναρμολογήσετε τα εξαρτήματα.

Οδηγίες καθαρισμού

Εάν χρησιμοποιήσατε το ραβδομπλέντερ σε ζεστό μείγμα, ξεπλύνετε τον άξονα ανάμειξης με κρύο νερό προτού αποσυναρμολογήσετε τη διάταξη λεπίδων από τον άξονα ανάμειξης. Καθαρίστε τον άξονα αμέσως μετά τη χρήση για να αποφύγετε τη δημιουργία καταλοίπων.

- Μην βυθίζετε ποτέ τη μονάδα μοτέρ ή τη λαβή στο νερό. Καθαρίστε τις με ένα υγρό πανί ή σφουγγάρι.
- Καθαρισμός άξονα ανάμειξης και διάταξης λεπίδων: Βυθίστε τον βραχίονα ανάμειξης και τη διάταξη λεπίδων μέσα σε ένα δοχείο με καθαρό νερό και ενεργοποιήστε τη συσκευή για λίγα δευτερόλεπτα.

- **ΠΡΟΕΙΔΟΠΟΙΗΣΗ:** Στεγνώνετε πάντα τις λεπίδες καλά μετά τον καθαρισμό για να αποφύγετε τη δημιουργία σκουριάς.
- Μην βυθίζετε ποτέ τον βραχίονα του αναδευτήρα στο νερό. Καθαρίστε τον με ένα υγρό πανί ή σφουγγάρι.
- Μετά τη χρήση, καθαρίστε τη συσκευή με απορρυπαντικό ή απολυμαντικό. Μην χρησιμοποιείτε αδιάλυτο λευκαντικό. Μην χρησιμοποιείτε αλκαλικά απορρυπαντικά για τον καθαρισμό των πλαστικών εξαρτημάτων.

GR



Αντιμετώπιση προβλημάτων

Σε περίπτωση διακοπής ρεύματος ή αν η συσκευή αποσυνδεθεί από την παροχή ρεύματος, απελευθερώστε το κουμπί ON/OFF (3), ελέγξτε την παροχή ρεύματος και επανεκκινήστε τη συσκευή.

Αν η συσκευή απενεργοποιηθεί λόγω υπερθέρμανσης, απελευθερώστε το κουμπί ON/OFF (3), αποσυνδέστε τη συσκευή από την παροχή ρεύματος, περιμένετε λίγα λεπτά για να κρυώσει το μοτέρ, επαναφέρετε τον μηχανισμό θερμικής ασφάλειας και, στη συνέχεια, επανεκκινήστε τη συσκευή.

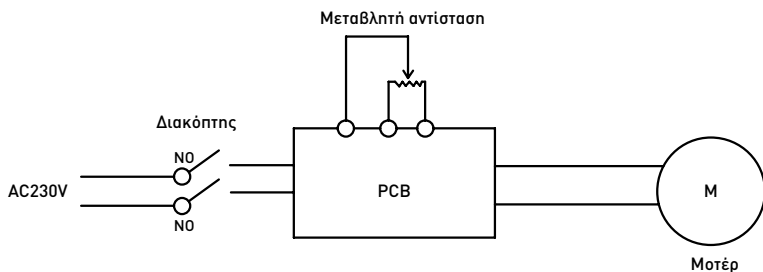
Εάν δεν μπορείτε να καθορίσετε την αιτία του προβλήματος: απελευθερώστε το κουμπί ON/OFF (3), αποσυνδέστε τη συσκευή και ελέγξτε:

1. την παροχή ρεύματος,
2. αν οι λεπίδες περιστρέφονται ελεύθερα μέσα στη διάταξη λεπίδων,
3. την κατάσταση του καλωδίου τροφοδοσίας,
4. ότι ο άξονας λειτουργίας περιστρέφεται ελεύθερα. Αφαιρέστε τη διάταξη λεπίδων και ελέγξτε χειροκίνητα την περιστροφή του άκρου του άξονα λειτουργίας.

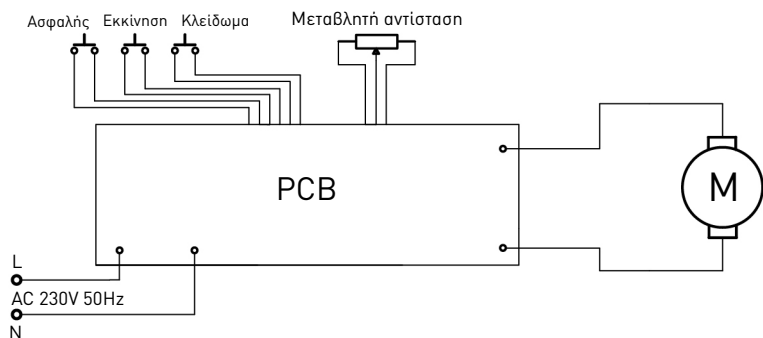
Εάν παρουσιάζεται δυσλειτουργία που δεν περιλαμβάνεται στο παρόν εγχειρίδιο χρήσης, συμβουλευτείτε τον πωλητή ή επιστρέψτε τη συσκευή στο τμήμα σέρβις μετά την πώληση.

Ηλεκτρικό διάγραμμα

Μοντέλο 222140

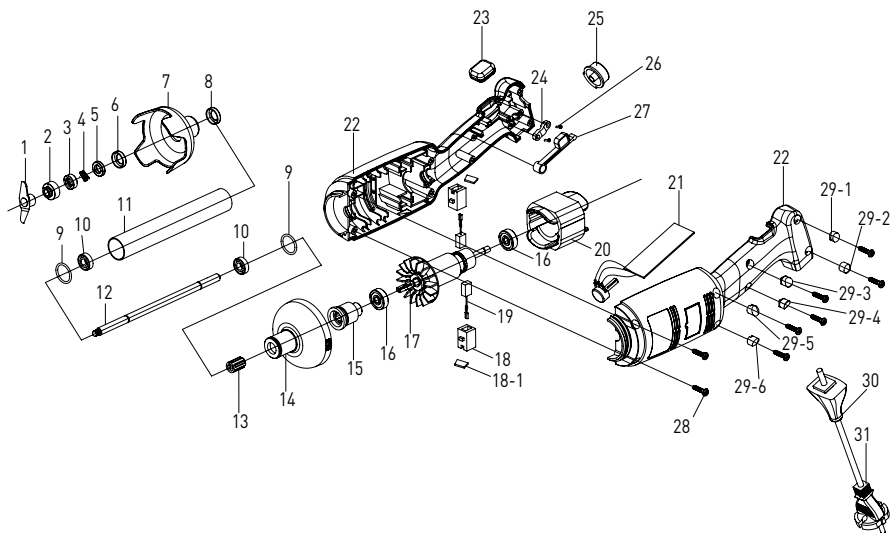


Μοντέλο 221884, 221891 και 222393



Αναλυτικό σχέδιο και κατάλογος εξαρτημάτων για το μοντέλο 222140

Μοντέλο 222140



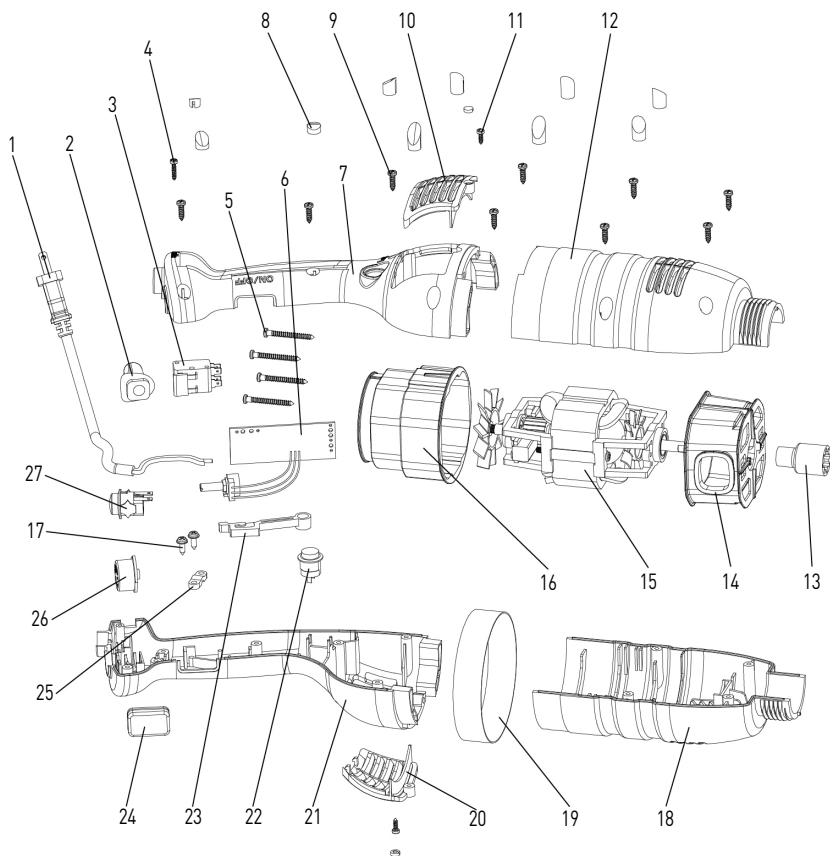
Κατάλογος εξαρτημάτων κύριας μονάδας και άξονα ανάμειξης για το μοντέλο 222140

Αρ. εξαρτήματος	Όνομα εξαρτήματος	Αρ. εξαρτήματος	Όνομα εξαρτήματος	Αρ. εξαρτήματος	Όνομα εξαρτήματος
1	Λεπίδα	14	Πλαστικό περίβλημα κεφαλής	26	Βίδα επιφάνειας πίεσης
2	Κοίλος δακτύλιος	15	Χιτώνιο αυλάκωσης	27	Διακόπτης συνεπαφής
3	Ελατήριο δακτυλίου γραφίτη	16	Ρουλεμάν	28	Βίδα στερέωσης
4	Δακτύλιος γραφίτη	17	Ρότορας	29-1	Κοχλιωτός εμβολέας 28-1
5	Κεραμικός δακτύλιος	18	Κορμός ψήκτρας	29-2	Κοχλιωτός εμβολέας 28-2
6	Χιτώνιο κεραμικού δακτυλίου	18-1	Κάλυμμα ψήκτρας	29-3	Κοχλιωτός εμβολέας 28-3
7	Προστατευτικό λεπίδων	19	Ψήκτρα	29-4	Κοχλιωτός εμβολέας 28-4
8	Ολόσωμο έδρανο	20	Στάτορας	29-5	Κοχλιωτός εμβολέας 28-5
9	Δακτύλιος σφραγίσματος	21	Πίνακας ελέγχου ταχύτητας PCB	29-6	Κοχλιωτός εμβολέας 28-6
10	Ρουλεμάν W688Z	22	Αριστερό και δεξιό περίβλημα	30	Περίβλημα καλωδίου
11	Σωλήνας S/S	23	Προστατευτικό διασύνδεσης από καουτσούκ	31	Καλώδιο ρεύματος
12	Άξονας εξόδου	24	Επιφάνεια πίεσης		
13	Αυλάκωση	25	Κουμπιέ ελέγχου ταχύτητας		

GR



Αναλυτικό σχέδιο και κατάλογος εξαρτημάτων (μόνο της κύριας μονάδας) για τα μοντέλα 221884, 221891 & 222393

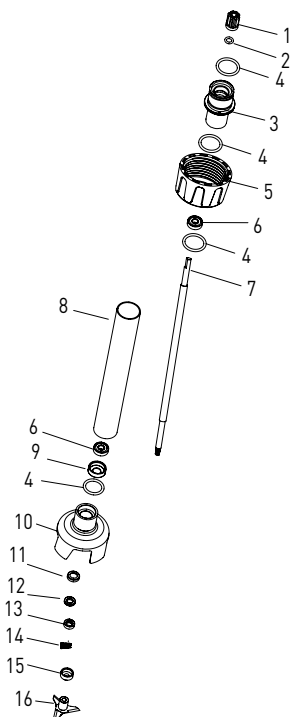


Κατάλογος εξαρτημάτων (μόνο της κύριας μονάδας) για τα μοντέλα 221884, 221891 & 222393

Αρ. εξαρτήματος	Όνομα εξαρτήματος	Αρ. εξαρτήματος	Όνομα εξαρτήματος	Αρ. εξαρτήματος	Όνομα εξαρτήματος
1	Καλώδιο ρεύματος	10	Κάλυμμα εξόδου αέρα	19	Δακτύλιος
2	Δερματικό καλωδίων	11	Βίδα επιφάνειας πίεσης	20	Κάλυμμα εξόδου αέρα
3	Διακόπτης συναεπαφής	12	Σασί 2	21	Σασί 4
4	Βίδα επιφάνειας πίεσης	13	Χιτώνιο αυλάκωσης	22	Κουμπί κλειδώματος
5	Βίδα επιφάνειας πίεσης	14	Κάτω κάλυμμα Μοτέρ	23	Ελατήριο μπουλονιού ώθησης διασύνδεσης
6	Πίνακας ελέγχου PCB	15	Μοτέρ	24	Θήκη διακόπτη
7	Σασί 1	16	Άνω κάλυμμα Μοτέρ	25	Επιφάνεια πίεσης
8	Κοκλιωτός εμβολέας	17	Βίδα επιφάνειας πίεσης	26	Κουμπί ελέγχου ταχύτητας
9	Βίδα επιφάνειας πίεσης	18	Σασί 3	27	Κουμπί ασφαλείας



Άξονες ανάμειξης (προαιρετικοί) για τα μοντέλα 221884 & 221891



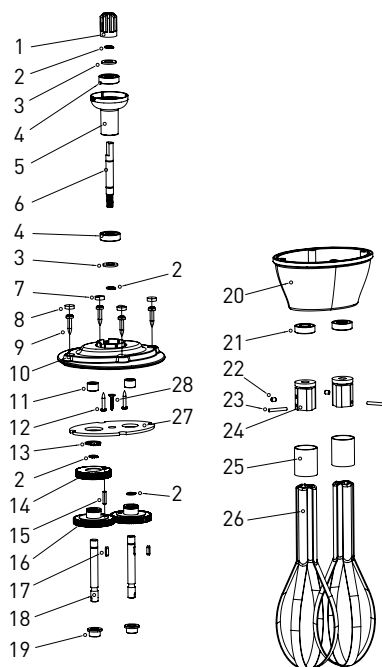
GR

Κατάλογος εξαρτημάτων αξόνων ανάμειξης (προαιρετικός) για τα μοντέλα 222225, 222232, 222249, 222256

Αρ. εξαρτήματος	Όνομα εξαρτήματος	Αρ. εξαρτήματος	Όνομα εξαρτήματος	Αρ. εξαρτήματος	Όνομα εξαρτήματος
1	Χιτώνιο αυλάκωσης	7	Άξονας εξόδου (μήκους ανάλογα με το μοντέλο)	13	Δακτύλιος γραφίτη
2	Δακτύλιος στεγανοποίησης χιτωνίου αυλάκωσης	8	Σωλήνας 304 S/S (μήκους ανάλογα με το μοντέλο)	14	Ελατήριο δακτυλίου γραφίτη
3	Χιτώνιο σύνδεσης	9	Ολόσωμο έδρανο	15	Κοίλος δακτύλιος
4	Δακτύλιος στεγανοποίησης χιτωνίου σύνδεσης	10	Προστατευτικό λεπίδων	16	Λεπίδα
5	Χιτώνιο κλεισίματος	11	Χιτώνιο κεραμικού δακτυλίου		
6	Ρουλεμάν 608	12	Κεραμικός δακτύλιος		



Αναδευτήρας (Προαιρετικός) για το μοντέλο 222140



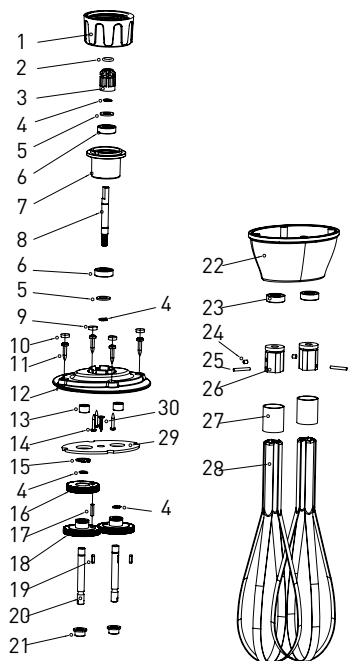
GR

Κατάλογος εξαρτημάτων αναδευτήρα (προαιρετικός) για το μοντέλο 222164

Αρ. εξαρτήματος	Όνομα εξαρτήματος	Αρ. εξαρτήματος	Όνομα εξαρτήματος	Αρ. εξαρτήματος	Όνομα εξαρτήματος
1	Χιτώνιο αυλάκωσης	11	Ρουλεμάν βελόνας	21	Στεγανοποίηση λαδιού
2	Ελατηριωτός δακτύλιος Ø8	12	Βίδα	22	Βίδα M4x5
3	Ροδέλα ρουλεμάν	13	Ελατηριωτός δακτύλιος Ø16	23	Κυλινδρικός πείρος
4	Ρουλεμάν	14	Ρουλεμάν ελικοειδούς γραναζιού	24	Σταθερή επιφάνεια
5	Χιτώνιο σύνδεσης	15	Κυλινδρικός πείρος	25	Χαλύβδινος δακτύλιος
6	Ρουλεμάν ελικοειδούς γραναζιού	16	Ίσιο γρανάζι	26	Χαλύβδινη ράβδος
7	Κοχλιωτός εμβολέας 2	17	Κλειδί	27	Εκτροπέας
8	Κοχλιωτός εμβολέας 1	18	Άξονας εξόδου	28	Βίδα
9	Βίδα στερέωσης	19	Χιτώνιο άξονα		
10	Επάνω κάλυμμα	20	Κάτω κάλυμμα		



Αναδευτήρες (προαιρετικοί) για τα μοντέλα 221884 & 221891



GR

Κατάλογος εξαρτημάτων αναδευτήρα (προαιρετικός) για το μοντέλο 222263

Αρ. εξαρτήματος	Όνομα εξαρτήματος	Αρ. εξαρτήματος	Όνομα εξαρτήματος	Αρ. εξαρτήματος	Όνομα εξαρτήματος
1	Χιτώνιο κλεισίματος	11	Βίδα στερέωσης	21	Χιτώνιο άξονα
2	Δακτύλιος στεγανοποίησης χιτωνίου αυλάκωσης	12	Επάνω κάλυμμα	22	Κάτω κάλυμμα
3	Χιτώνιο αυλάκωσης	13	Ρουλεμάν βελόνας	23	Στεγανοποίηση λαδιού
4	Ελατηριώτος δακτύλιος Ø8	14	Βίδα	24	Βίδα M4x5
5	Στεγανοποίηση λαδιού	15	Ελατηριώτος δακτύλιος Ø16	25	Κυλινδρικός πείρος
6	Ρουλεμάν	16	Ρουλεμάν ελικοειδούς γραναζιού	26	Σταθερή επιφάνεια
7	Χιτώνιο σύνδεσης	17	Κυλινδρικός πείρος	27	Χαλύβδινος δακτύλιος
8	Ρουλεμάν ελικοειδούς γραναζιού	18	Ίσιο γρανάκι	28	Χαλύβδινη ράβδος
9	Κοχλιώτος εμβολέας 2	19	Κλειδί	29	Εκτροπέας
10	Κοχλιώτος εμβολέας 1	20	Άξονας εξόδου	30	Βίδα



Εγγύηση

Οποιοδήποτε ελάττωμα επηρεάζει τη λειτουργικότητα της συσκευής που γίνεται προφανές δύο χρόνια μετά την αγορά της, θα διορθώνεται με δωρεάν επισκευή ή αντικατάσταση, αρκεί η συσκευή να έχει χρησιμοποιηθεί και συντηρηθεί σύμφωνα με τις οδηγίες και να μην έχει γίνει κατάχρηση ή λανθασμένη χρήση της με οποιονδήποτε τρόπο. Δε θίγονται τα νόμιμα δικαιώματά σας. Εάν η συσκευή υποστηρίζεται

από εγγύηση, δηλώστε πού και πότε έχει αγοραστεί και συμπεριλάβετε την απόδειξη αγοράς (π.χ. απόδειξη λιανικής πώλησης).

Σύμφωνα με την πολιτική μας για τη συνεχή εξέλιξη των προϊόντων μας, διατηρούμε το δικαίωμα να αλλάξουμε το προϊόν, τη συσκευασία και τις προδιαγραφές τεκμηριωσής του χωρίς προειδοποίηση.

Απόρριψη & Περιβάλλον

Η συσκευή, μετά το πέρας της διάρκειας ζωής της, δεν πρέπει να απορρίπτεται ως οικιακό απόρριμμα. Πρέπει να απορρίπτεται, με δική σας ευθύνη, σε καθορισμένο σημείο συλλογής. Η μη τήρηση αυτού ενδέχεται να τιμωρείται σύμφωνα με τους ισχύοντες κανονισμούς για τη διάθεση των απορριμμάτων. Η χωριστή συλλογή και ανακύκλωση αυτής της συσκευής κατά τη στιγμή της απόρριψης βοηθά στη διατήρηση των φυσικών πόρων και εξασφαλίζει την

ανακύκλωσή της με τρόπο που προστατεύει την ανθρώπινη υγεία και το περιβάλλον. Για περισσότερες πληροφορίες σχετικά με το πού μπορείτε να απορρίψετε τη συσκευή για ανακύκλωση, επικοινωνήστε με την τοπική εταιρεία συλλογής απορριμμάτων. Οι κατασκευαστές και οι εισαγωγείς δεν αναλαμβάνουν την ευθύνη ανακύκλωσης, επεξεργασίας και οικολογικής διάθεσης, είτε άμεσα είτε μέσω δημόσιου συστήματος.

ΣΕΡΒΙΣ ΕΛΛΑΔΟΣ:

Τηλ.: 213 0 998989 (10 γραμμές)

info@pks-hendi.com

GR







HENDI

Hendi B.V.
Innovatielaan 6
6745 XW De Klomp
The Netherlands

Tel: +31 317 681 040
Fax: +31 317 681 045
Email: info@hendi.eu
www.hendi.eu

Declaration of conformity/ Konformitätserklärung/ Conformanceverklaring/ Deklaracja Zgodności/ Déclaration de conformité/ Dichiarazione di conformità/ Declarație de conformitate/ Декларация соответствия/ Δήλωση συμμόρφωσης

Hendi BV hereby declares under his own responsibility that the product:/ Hendi BV erklart unter seiner alleinigen verantwortung, dass Produkte:/ Hendi BV verklaart hierbij, onder eigen verantwoordelijkheid, dat de producten:/ Hendi BV oświadcza, na swoją wyłączną odpowiedzialność, że poniższe produkty:/ Hendi BV déclare, sous sa seule responsabilité, que les produits suivants:/ Hendi BV dichiara, sotto la sua esclusiva responsabilità, che i seguenti prodotti:/ Hendi BV declară pe propria răspundere că produsele:/ Hendi BV заявляет с полной ответственностью, что следующие продукты:/ Hendi BV δηλώνει με δική της ευθύνη ότι τα προϊόντα:

Product number: / Produktnummer: / Productnummer: / Kod Produktu: /
Code produit: / Codice prodotto: / Numărul: / Код Продукта: / Αριθμός προϊόντος:

222140

Product name: / Produktname: / Productomschrijving: / Nazwa Produktu: /
Nom du produit: / Nome del prodotto: / Denumirea produsului: / Название
Продукта: / Ονομασία προϊόντος:

Stick blender / Stabmixer / Staafmixer / Mikser ręczny / Mixeur plongeur / Frullatore a immersione / Blender stick / Погружной блендер / Ραβδόμηλέντερ

Brand: / Marke: / Merk: / Marka: / Marque: / Marchio: / Brand: / Марка: / Мάρκα:

Hendi

Meets the essential requirements as described in: /

Erfüllt die Anforderungen wie beschrieben in: /

Voldeet aan de essentiële vereisten zoals beschreven in: /

Spełnia wymagania zasadnicze określone w następujących dyrektywach: /

Répond aux exigences essentielles définies dans les directives suivantes: /

Il prodotto soddisfa i requisiti essenziali stabiliti nelle seguenti direttive: /

Îndeplinește cerințele esențiale descrise în: /

Соответствует основным требованиям, записанным в следующих директивах: /

Πληροί τις βασικές απαιτήσεις όπως περιγράφεται στο:

2006/42/EC

2014/30/EU

2011/65/EU & amendment 2015/863/EU

Has been engineered and manufactured in conformity to harmonized standards: /

Wurde in Übereinstimmung mit harmonisierten Normen entwickelt und hergestellt: /

Is ontwikkeld en vervaardigd in overeenstemming met geharmoniseerde normen: /

Został zaprojektowany i wykonany zgodnie z normami zharmonizowanymi: /

Il a été conçu et fabriqué selon des normes harmonisées: /

Il prodotto è stato progettato e realizzato secondo standard armonizzati: /

A fost proiectat și fabricat în conformitate cu standardele în vigoare: /

Спроектирован и сделан в соответствии с согласованными стандартами: /

Έχει σχεδιαστεί και κατασκευαστεί σύμφωνα με τα εναρμονισμένα πρότυπα:

EN 55014-1:2017

EN 55014-2:2015

EN IEC 61000-3-2:2019

EN 61000-3-3:2013+A1:2019

EN 12853:2001+A1:2010

EN 60204-1:2006+A1:2009/AC:2010

EN ISO 12100:2010

Meets the requirements as described in regulations: /

Erfüllt die Anforderungen wie beschrieben in: /

Voldeet aan de eisen zoals beschreven in verordening: /

Spełnia wymagania określone w rozporządzeniach: /

Répond aux exigences énoncées dans les règlements: /

Il prodotto soddisfa i requisiti specificati nelle normative: /

Îndeplinește cerințele descrise în regulamente: /

Соответствует требованиям, записанным в декретах: /

Πληροί τις απαιτήσεις όπως περιγράφονται στους κανονισμούς:

1907/2006/EC

Meets the requirements as described in resolutions: /

Erfüllt die Anforderungen wie in den Verordnungen beschrieben: /

Voldeet aan de vereisten zoals beschreven in resoluties: /

Spełnia wymagania opisane w uchwałach: /

Répond aux exigences décrites dans les résolutions: /

Il prodotto soddisfa i requisiti specificati nelle risoluzioni: /

Întrunește cerințele descrise în regulamente: /

Соответствует требованиям, описанным в решениях: /

Πληροί τις απαιτήσεις όπως περιγράφεται στις προδιαγραφές: /

CM/Res[2013]9

Technical documentation available at the company's headquarters: /

Technische Dokumentation am Hauptsitz: /

Technische documentatie beschikbaar op het hoofdkantoor: /

Dokumentacja techniczna dostępna w siedzibie firmy: /

Documentation technique disponible au siège de l'entreprise: /

Documentazione tecnica disponibile presso la sede dell'azienda: /

Documentația tehnică este disponibilă la sediul companiei: /

Техническая документация доступна в главном офисе компании: /

Η τεχνική τεκμηρίωση είναι διαθέσιμη στα κεντρικά γραφεία της εταιρείας:

Hendi B.V., Innovatielaan 6, 6745 XW De Klomp, The Netherlands

De Klomp, 09-10-2020

R.E. Vooijs
Purchasing Manager

150





HENDI

Hendi B.V.
Innovatielaan 6
6745 XW De Klomp
The Netherlands

Tel: +31 317 681 040
Fax: +31 317 681 045
Email: info@hendi.eu
www.hendi.eu

Declaration of conformity/ Konformitätserklärung/ Conformiteitsverklaring/ Deklaracja Zgodności/ Déclaration de conformité/ Dichiarazione di conformità/ Declarație de conformitate/ Декларация соответствия/ Δήλωση συμμόρφωσης

Hendi BV hereby declares under his own responsibility that the product:/ Hendi BV erklärt unter seiner alleinigen Verantwortung, dass Produkte:/ Hendi BV verklaart hierbij, onder eigen verantwoordelijkheid, dat de producten:/ Hendi BV oświadcza, na swoją wyłączną odpowiedzialność, że poniższe produkty:/ Hendi BV déclare, sous sa seule responsabilité, que les produits suivants:/ Hendi BV dichiara, sotto la sua esclusiva responsabilità, che i seguenti prodotti:/ Hendi BV declară pe propria răspundere că produsele:/ Hendi BV заявляет с полной ответственностью, что следующие продукты:/ Hendi BV δηλώνει με δική της ευθύνη ότι τα προϊόντα:

Product number: / Produktnummer: / Productnummer: / Kod Produktu: /
Code produit: / Codice prodotto: / Numărul: / Код Продукта: / Αριθμός προϊόντος:

221884, 222891, 222393

Product name: / Produktname: / Productomschrijving: / Nazwa Produktu: /
Nom du produit: / Nome del prodotto: / Denumirea produsului: / Название
Продукта: / Ονομασία προϊόντος:

Stick blender / Stabmixer / Staafmixer / Mikser ręczny / Mixeur plongeur / Frullatore a immersione / Blender stick / Погружной блендер / Ραβδομπλέντερ

Brand: / Marke: / Merk: / Marka: / Marque: / Marchio: / Brand: / Марка: / Мάρκα:

Hendi

Meets the essential requirements as described in: /

Erfüllt die Anforderungen wie beschrieben in: /

Voldoet aan de essentiële vereisten zoals beschreven in: /

Spełnia wymagania zasadnicze określone w następujących dyrektywach: /

2006/42/EC

Répond aux exigences essentielles définies dans les directives suivantes: /

2014/30/EU

Il prodotto soddisfa i requisiti essenziali stabiliti nelle seguenti direttive: /

2011/65/EU & amendment 2015/863/EU

Îndeplinește cerințele esențiale descrise în: /

Соответствует основным требованиям, записанным в следующих директивах: /

Πληροί τις βασικές απαιτήσεις όπως περιγράφεται στο:

Has been engineered and manufactured in conformity to harmonized standards: /

Wurde in Übereinstimmung mit harmonisierten Normen entwickelt und hergestellt: /

EN 55014-1:2017

Is ontwikkeld en vervaardigd in overeenstemming met geharmoniseerde normen: /

EN 55014-2:2015

Został zaprojektowany i wykonany zgodnie z normami zharmonizowanymi: /

EN IEC 61000-3-2: 2019

Il a été conçu et fabriqué selon des normes harmonisées: /

EN 61000-3-3:2013+A1:2019

Il prodotto è stato progettato e realizzato secondo standard armonizzati: /

EN 12853:2001+A1:2010

A fost proiectat și fabricat în conformitate cu standardele în vigoare: /

EN 60204-1:2018

Спроектирован и сделан в соответствии с согласованными стандартами: /

EN ISO 12100:2010

Έχει σχεδιαστεί και κατασκευαστεί σύμφωνα με τα εναρμονισμένα πρότυπα:

Meets the requirements as described in regulations: /

Erfüllt die Anforderungen wie beschrieben in: /

Voldoet aan de eisen zoals beschreven in verordening: /

Spełnia wymagania określone w rozporządzeniach: /

1907/2006/EC

Répond aux exigences énoncées dans les règlements: /

Il prodotto soddisfa i requisiti specificati nelle normative: /

Îndeplinește cerințele descrise în regulamente: /

Соответствует требованиям, записанным в декретах: /

Πληροί τις απαιτήσεις όπως περιγράφονται στους κανονισμούς:

Meets the requirements as described in resolutions: /

Erfüllt die Anforderungen wie in den Verordnungen beschrieben: /

Voldoet aan de vereisten zoals beschreven in resoluties: /

Spełnia wymagania opisane w uchwałach: /

CM/Res[2013]9

Répond aux exigences décrites dans les résolutions: /

Il prodotto soddisfa i requisiti specificati nelle risoluzioni: /

Întrunește cerințele descrise în regulamente: /

Соответствует требованиям, описанным в решениях: /

Πληροί τις απαιτήσεις όπως περιγράφεται στις προδιαγραφές: /

Technical documentation available at the company's headquarters: /

Technische Dokumentation am Hauptsitz: /

Technische documentatie beschikbaar op het hoofdkantoor: /

Dokumentacja techniczna dostępna w siedzibie firmy: /

Documentazione tecnica disponibile au siège de l'entreprise: /

Hendi B.V., Innovatielaan 6, 6745 XW De Klomp, The Netherlands

Documentazione tecnica disponibile presso la sede dell'azienda: /

Documentația tehnică este disponibilă la sediul companiei: /

Техническая документация доступна в главном офисе компании: /

Η τεχνική τεκμηρίωση είναι διαθέσιμη στα κεντρικά γραφεία της εταιρείας:

De Klomp, 09-10-2020

R.E. Vooijs
Purchasing Manager





HENDI

Tools for Chefs

Hendi B.V.

Innovatielaan 6
6745 XW De Klomp, The Netherlands
Tel: +31 317 681 040
Email: info@hendi.eu

Hendi Polska Sp. z o.o.

ul. Firmowa 12
62-023 Robakowo, Poland
Tel: +48 61 658 7000
Email: info@hendi.pl

Hendi Food Service Equipment GmbH

Ehring 15
5112 Lamprechtshausen, Austria
Tel: +43 [0] 6274 200 10 0
Email: office.austria@hendi.eu

Hendi Food Service Equipment Romania S.R.L.

Str. 13 decembrie 94A, Hala 14
Braşov, 500164, Romania
Tel: +40 268 320330
Email: office@hendi.rom

PKS Hendi South East Europe SA

5 Metsovou Str.
18346 Moschato, Athens, Greece
Tel: +30 210 4839700
Email: info@pks-hendi.com

Hendi Italia S.R.L.

Via Leonardo da Vinci 4
39100 Bolzano (BZ), Italy
Tel: +39 800 727 438
Email: office.italy@hendi.eu

Hendi HK Ltd.

1208, 12/F, Exchange Tower
33 Wang Chiu Road, Kowloon Bay, Hong Kong
Tel: +852 2154 2618
Email: info-hk@hendi.eu

Find Hendi on internet:

www.hendi.eu
www.facebook.com/HendiToolsforChefs
www.linkedin.com/company/hendi-food-service-equipment-b.v.
www.youtube.com/HendiEquipment

- Changes, printing and typesetting errors reserved.
- Änderungen und Druckfehler vorbehalten.
- Wijzigingen en drukfouten voorbehouden.
- Producent zastrzega sobie prawo do zmian oraz błądów drukarskich w instrukcji.
- Variations et fautes d'impression réservés.

- Errori di cambiamenti, di stampa e di impaginazione riservati.
- Drepturi rezervate cu privire la modificări și greșeli de imprimare.
- Изменения, печати и верстки ошибки защищены.
- Με επιφύλαξη αλλαγών, λαθών εκτύπωσης και στοιχειοθεσίας.