

Drawing



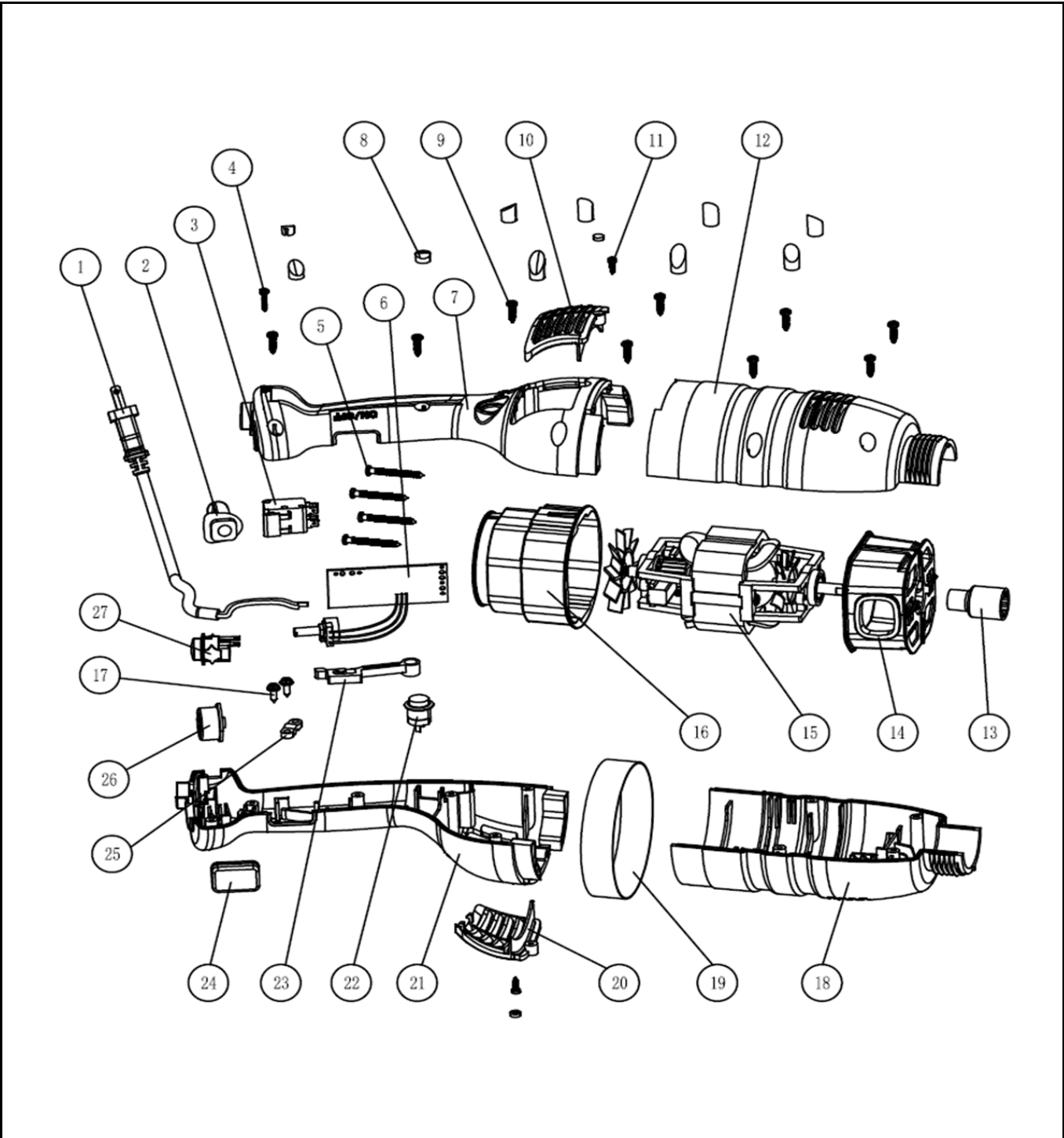
Tools for Chefs

Hendi B.V.
 Steenoven 21
 3911 TX Rhenen
 The Netherlands


Batch #	Appliance part#
000000 and up	221884

Description
Immersion blender 350W variable speed

Date	24-11-2020	Revision #	Revision version
Revision	First bill of materials (BOM)		



Bill of materials (BOM)

 <b style="font-size: 24pt; font-weight: bold;">HENDI <small style="color: green;">Tools for Chefs</small> Hendi B.V. Steenoven 21 3911 TX Rhenen The Netherlands	Batch #	Appliance part#
	000000 and up	221884
	Description	
	Immersion blender 350W variable speed	


Date	24-11-2020	Revision #	Revision version
Revision	First bill of materials (BOM)		

Item	Description	Part#	Quantity	Remark	Picture
1	Power cord	941225	1		
2	Grommet	970591	1		
3	Switch	941294	1		
4	Screw	n/a	1		
5	Screw	nss	4	Available as 971130	
6	PCB incl potentiometer	971109	1		
7	Housing (part A)	n/a	1		
8	Coverplug (complete set)	971116	1		
9	Screw	n/a	9		
10	Air cover	n/a	1		
11	Screw	n/a	2		
12	Housing (part B)	n/a	1		
13	Coupler Female	971123	1	Also available in set 971130	
14	Lower motor cover	nss	1	Available as 971130	
15	Motor 350W (assembly)	971130	1	Incl. item 5,13,14,15 and 16	
16	Upper motor cover	nss	1	Available as 971130	
17	Screw	n/a	2		
18	Housing (part C)	n/a	1		
19	Ring	n/a	1		
20	Air cover	n/a	1		
21	Housing (part D)	n/a	1		
22	Interlock (A)	971154	1		
23	Lever	971161	1		
24	Cover switch	941171	1		
25	Cable retention	n/a	1		
26	Knob potentiometer	941188	1		
27	Interlock (B)	971178	1		

n/a -> not available

nss -> not sold separately

Circuit diagram

 HENDI Tools for Chefs Hendi B.V. Steenoven 21 3911 TX Rhenen The Netherlands	Batch #	Appliance part#
	000000 and up	221884
	Description	
	Immersion blender 350W variable speed	

Date	24-11-2020	Revision #	Revision version
Revision	First bill of materials (BOM)		

