

Drawing



Tools for Chefs

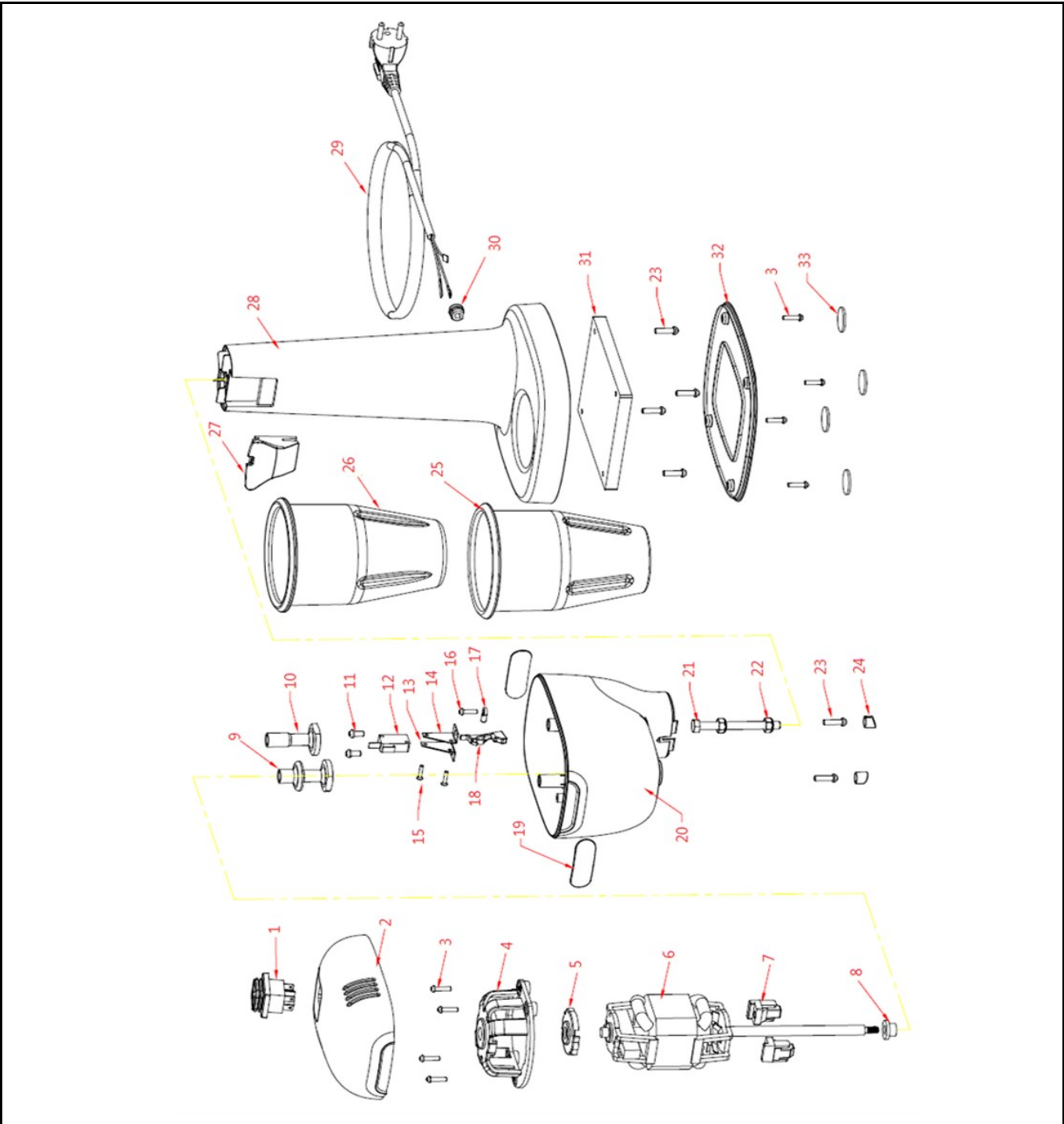
Hendi B.V.  
 Steenoven 21  
 3911 TX Rhenen  
 The Netherlands

Batch #  
 000000 and up


Appliance part#  
**221624**

Description  
 Milk shaker 400W  
 Caramel

|          |                               |            |     |
|----------|-------------------------------|------------|-----|
| Date     | 19-05-2022                    | Revision # | 1.0 |
| Revision | First Bill of Materials (BOM) |            |     |



### Bill of materials (BOM)

|  |                             |                        |
|--|-----------------------------|------------------------|
|  <b style="font-size: 24px; margin-left: 10px;">HENDI</b><br><span style="font-size: 12px; color: green; margin-left: 10px;">Tools for Chefs</span><br><b>Hendi B.V.</b><br>Steenoven 21<br>3911 TX Rhenen<br>The Netherlands | <b>Batch #</b>              | <b>Appliance part#</b> |
|  | 000000 and up               | <b>221624</b>          |
|  | <b>Description</b>          |                        |
|  | Milk shaker 400W<br>Caramel |                        |


|                 |                               |                   |     |
|-----------------|-------------------------------|-------------------|-----|
| <b>Date</b>     | 19-05-2022                    | <b>Revision #</b> | 1.0 |
| <b>Revision</b> | First Bill of Materials (BOM) |                   |     |

| Item | Description                   | Part#  | Quantity | Remark                   | Picture |
|------|-------------------------------|--------|----------|--------------------------|---------|
| 1    | Switch                        | 961353 | 1        |                          |         |
| 2    | Motor housing cover (top)     | n/a    | 1        |                          |         |
| 3    | Screw 4x16                    | n/a    | 8        |                          |         |
| 4    | Motor bracket (top)           | n/a    | 1        |                          |         |
| 5    | Anti vibration pad            | 961476 | 1        |                          |         |
| 6    | Motor                         | 961360 | 1        |                          |         |
| 7    | Motor supprt bracket (bottom) | 961483 | 2        |                          |         |
| 8    | Silicone seal                 | 961377 | 1        |                          |         |
| 9    | Agitator (double layer)       | nss    | 1        | Available as 961131      |         |
| 10   | Agitator (single layer)       | nss    | 1        | Available as 961131      |         |
| *    | Agitator set                  | 961131 | 1        | Incl. item 9 and 10      |         |
| 11   | Screw 5x10                    | n/a    | 2        |                          |         |
| 12   | Microswitch                   | 961391 | 1        | Incl. item 13, 14 and 15 |         |
| 13   | Microswitch holder (left)     | nss    | 1        | Available as 961391      |         |
| 14   | Microswitch holder (right)    | nss    | 1        | Available as 961391      |         |
| 15   | Screw M3x14                   | nss    | 2        | Available as 961391      |         |
| 16   | Screw 4x14                    | n/a    | 1        |                          |         |
| 17   | Driver unit shaft             | n/a    | 1        |                          |         |
| 18   | Driver unit                   | n/a    | 1        |                          |         |
| 19   | Hendi logo sticker            | 961407 | 2        |                          |         |
| 20   | Motor housing (bottom)        | n/a    | 1        |                          |         |
| 21   | Bolt M8x80                    | n/a    | 1        |                          |         |
| 22   | Nut M8                        | n/a    | 2        |                          |         |
| 23   | Screw 5x18                    | n/a    | 6        |                          |         |
| 24   | Housing plug (caramel)        | 962268 | 2        | Set of 2                 |         |
| 25   | Cup (stainless steel)         | 961117 | 1        |                          |         |
| 26   | Cup (polycarbonate)           | 961124 | 1        |                          |         |
| 27   | Cup holder                    | 961445 | 1        |                          |         |
| 28   | Body                          | n/a    | 1        |                          |         |
| 29   | Power cord                    | 961452 | 1        |                          |         |
| 30   | Pull relief                   | nss    | 1        |                          |         |
| 31   | Counterweight                 | n/a    | 1        |                          |         |
| 32   | Body cover (bottom)           | n/a    | 1        |                          |         |
| 33   | Foot                          | 961469 | 1        | Set of 4                 |         |
|      |                               |        |          |                          |         |

n/a -> not available

nss -> not sold separately

### Circuit diagram

|  |                             |                        |
|--|-----------------------------|------------------------|
|  <b>HENDI</b><br>Tools for Chefs<br>Hendi B.V.<br>Steenoven 21<br>3911 TX Rhenen<br>The Netherlands | <b>Batch #</b>              | <b>Appliance part#</b> |
|  | 000000 and up               | <b>221624</b>          |
|  | <b>Description</b>          |                        |
|  | Milk shaker 400W<br>Caramel |                        |

|                 |                               |                   |     |
|-----------------|-------------------------------|-------------------|-----|
| <b>Date</b>     | 19-05-2022                    | <b>Revision #</b> | 1.0 |
| <b>Revision</b> | First Bill of Materials (BOM) |                   |     |

