

Drawing



Tools for Chefs

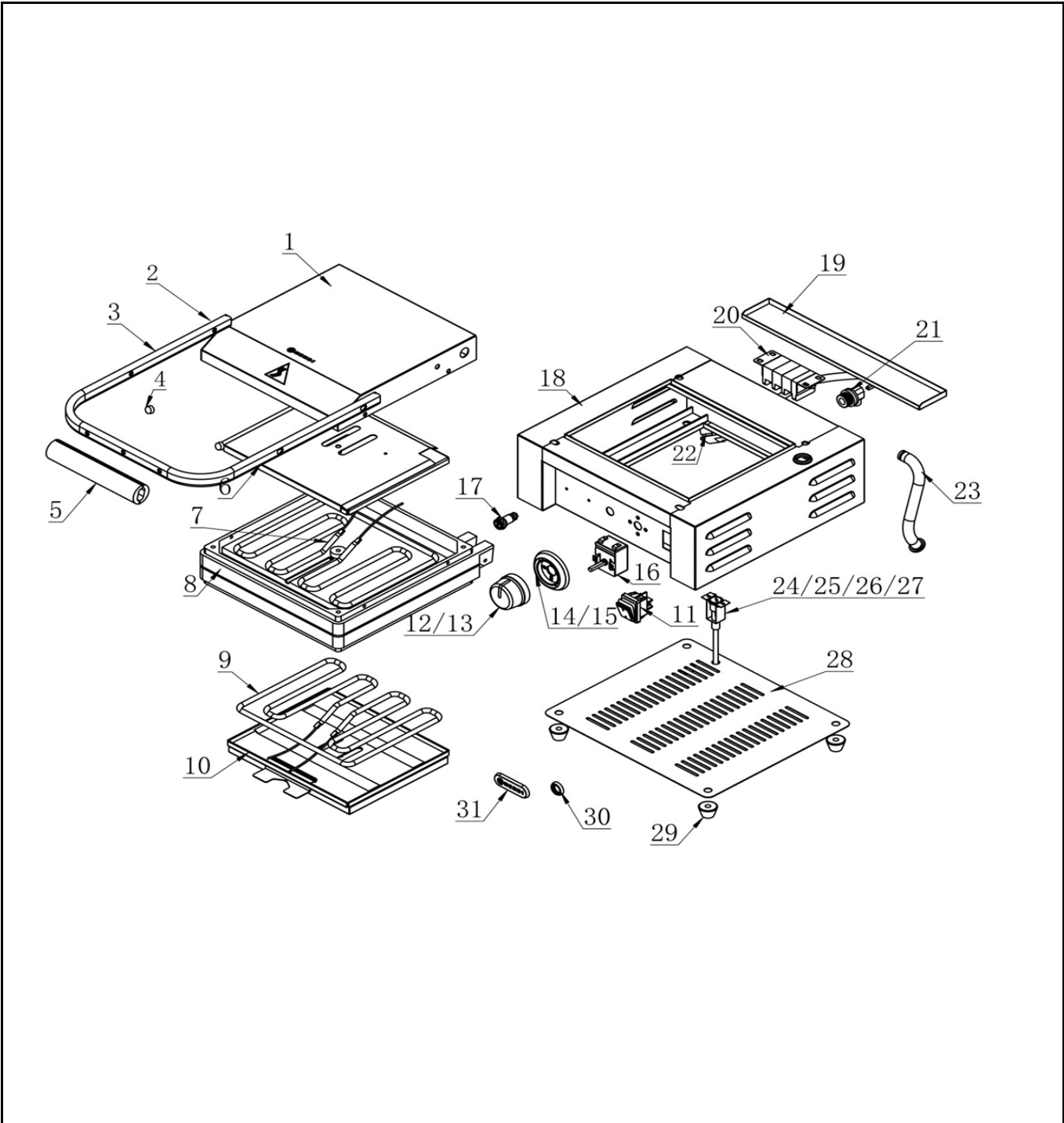
Hendi B.V.
 Steenoven 21
 3911 TX Rhenen
 The Netherlands

Batch #
 HK083720 and
 up


Appliance part#
212103

Description
Waffle maker "liège"

Date	01-02-2021	Revision #	1.1
Revision	Added switch, updated controlpanel layout Knob design may differ from original.		



Bill of materials (BOM)

 HENDI Tools for Chefs Hendi B.V. Steenoven 21 3911 TX Rhenen The Netherlands	Batch #	Appliance part#
	HK083720 and up	212103
	Description	
Waffle maker "liège"		


Date	01-02-2021	Revision #	1.1
Revision	Added switch, updated controlpanel layout Knob design may differ from original.		

Item	Description	Part#	Quantity	Remark	Picture
1	Top cover	n/a	1		
2	Silicone plug	nss	4	Available as 931707	
3	Handle frame	931707	1	Incl. item 2, 4 and 5	
4	Handle plug	nss	2	Available as 931707	
5	Handle	912249	1	Also available as 931707	
6	Insulation assembly	n/a	1		
7	Upper heating element	902301	1		
8	Grill plate set "Liège"	n/a	1		
9	Bottom heating element	902301	1		
10	Insulation assembly	n/a	1		
11	Switch	205426	1		
12	Knob insert	nss	1	Available as 942222	
13	Knob	942222	1	Incl. item 12, 14 and 15	
14	Knob base	nss	1	Available as 942222	
15	Knob scale plate	nss	1	Available as 942222	
16	Thermostat	902011	1		
17	Heating indicator	912003	1	Incl. item 30	
18	Housing frame	n/a	1		
19	Drip tray	902325	1		
20	Terminal	n/a	1		
21	Pull relief	912201	1		
22	Power cord	912027	1		
23	Wire guide	n/a	1		
24	Hi-limiter	902004	1		
25	Reset pin rubber	n/a	1		
26	Reset pin	n/a	1		
27	Reset pin bracket	n/a	1		
28	Bottom cover	n/a	1		
29	Feet	912058	1	Set of 4	
30	indicator light seal ring	nss	1	Available as 912003	
31	Logo plate	n/a	1		

n/a -> not available

nss -> not sold separately

Circuit diagram

 HENDI Tools for Chefs Hendi B.V. Steenoven 21 3911 TX Rhenen The Netherlands	Batch #	Appliance part#
	HK083720 and up	212103
	Description	
	Waffle maker "liège"	

Date	01-02-2021	Revision #	1.1
Revision	Added switch, updated controlpanel layout Knob design may differ from original.		

