

Drawing



Tools for Chefs

Hendi B.V.
 Steenoven 21
 3911 TX Rhenen
 The Netherlands

Batch #

000000 until 400937
 and 401248

Appliance part#

209202

Description

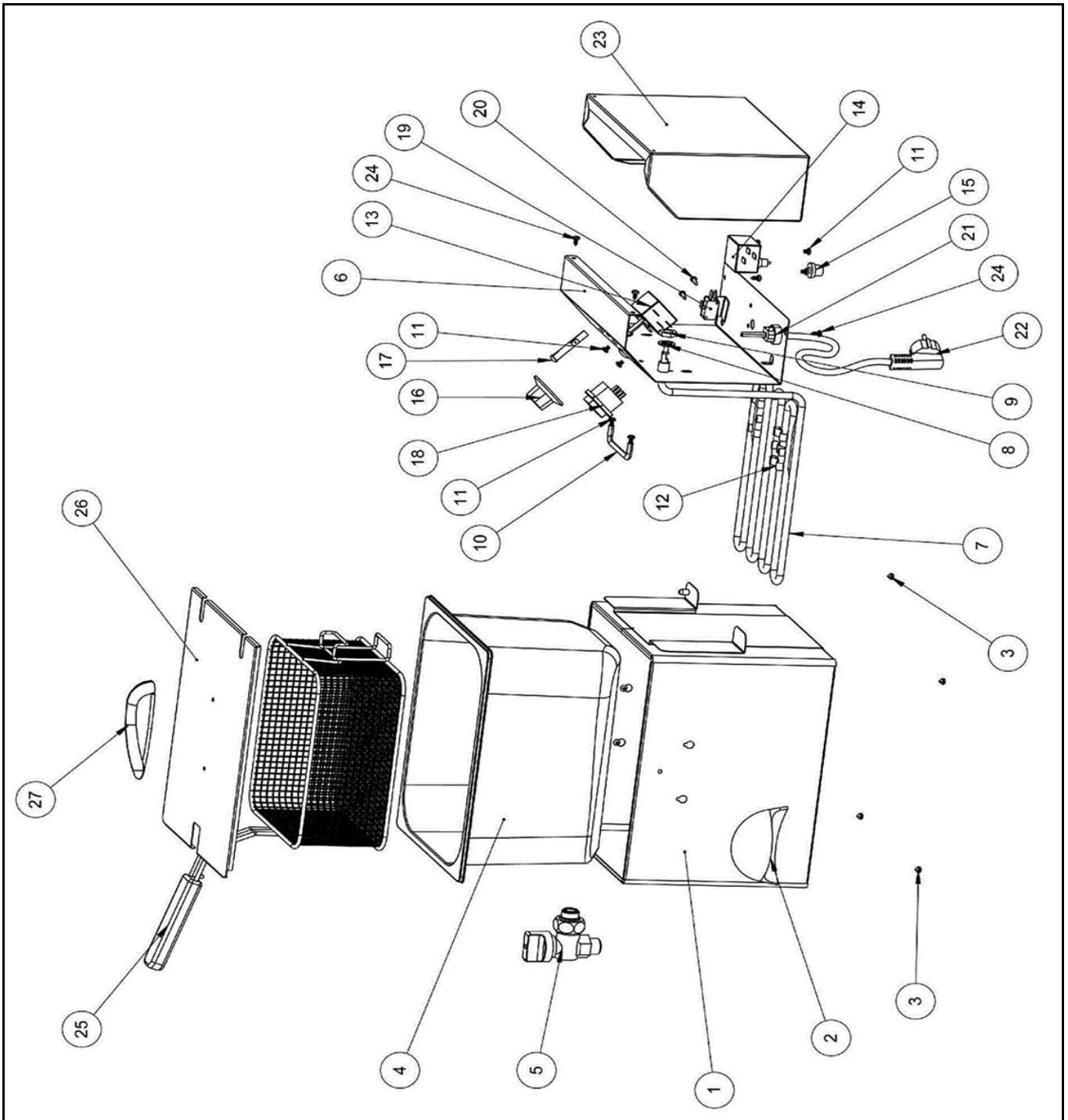
Deep fryer Masterpro 8L with faucet

Date 30-04-2021


Revision #

1.0

Revision First Bill of Materials (BOM)



Bill of materials (BOM)

 <b style="font-size: 24pt; margin-left: 10px;">HENDI <small style="color: green; margin-left: 10px;">Tools for Chefs</small> Hendi B.V. Steenoven 21 3911 TX Rhenen The Netherlands	Batch #	Appliance part#
	000000 until 400937 and 401248	209202
	Description	
Deep fryer Masterpro 8L with faucet		


Date	30-04-2021	Revision #	1.0
Revision	First Bill of Materials (BOM)		

Item	Description	Part#	Quantity	Remark	Picture
1	Frame complete	n/a	1		
2	Grip for frame incl screw	905258	2		
3	Buffer	207185	4		
4	Fryer bassin with drain	209264	1		
5	Faucet	251515	1		
6	Fryer head complete	209295	1	Incl item 7~24	
7	Element 3250W 230VAC	207048	1	Also in 209295	
8	Washer	nss	4	Available as 209295	
9	Nut 1/4	nss	2	Available as 209295	
10	Bracket	207154	1	Also in 209295	
11	Screw M4x5	nss	6	Available as 209295	
12	Leaf spring SS	207314	6	Also in 209295	
13	Thermostat 190°C EGO	205228	1	Also in 209295	
14	Hi-Limiter 230°C EGO	929001	1	Also in 209295	
15	Cover	nss	1	Available as 209295	
16	Knob thermostat	205235	1	Also in 209295	
17	Indicator light yellow	201145	1	Also in 209295	
18	Switch	205426	1	Also in 209295	
19	Microswitch 16A/250V	207093	1	Also in 209295	
20	Sheet-metal screw 3,5x13	nss	2	Available as 209295	
21	Pull relief PA107 incl screw	920107	1	Also in 209295	
22	Power cord	207017	1	Also in 209295	
23	Control panel backside Deep Fryer MasterPro	nss	1	Available as 209295	
24	Sheet-metal screw 4,2x9,5	nss	4	Available as 209295	
25	Fryer basket	643617	1		
26	Lid	209226	1		
27	Grip for lid incl screw	209233	1		

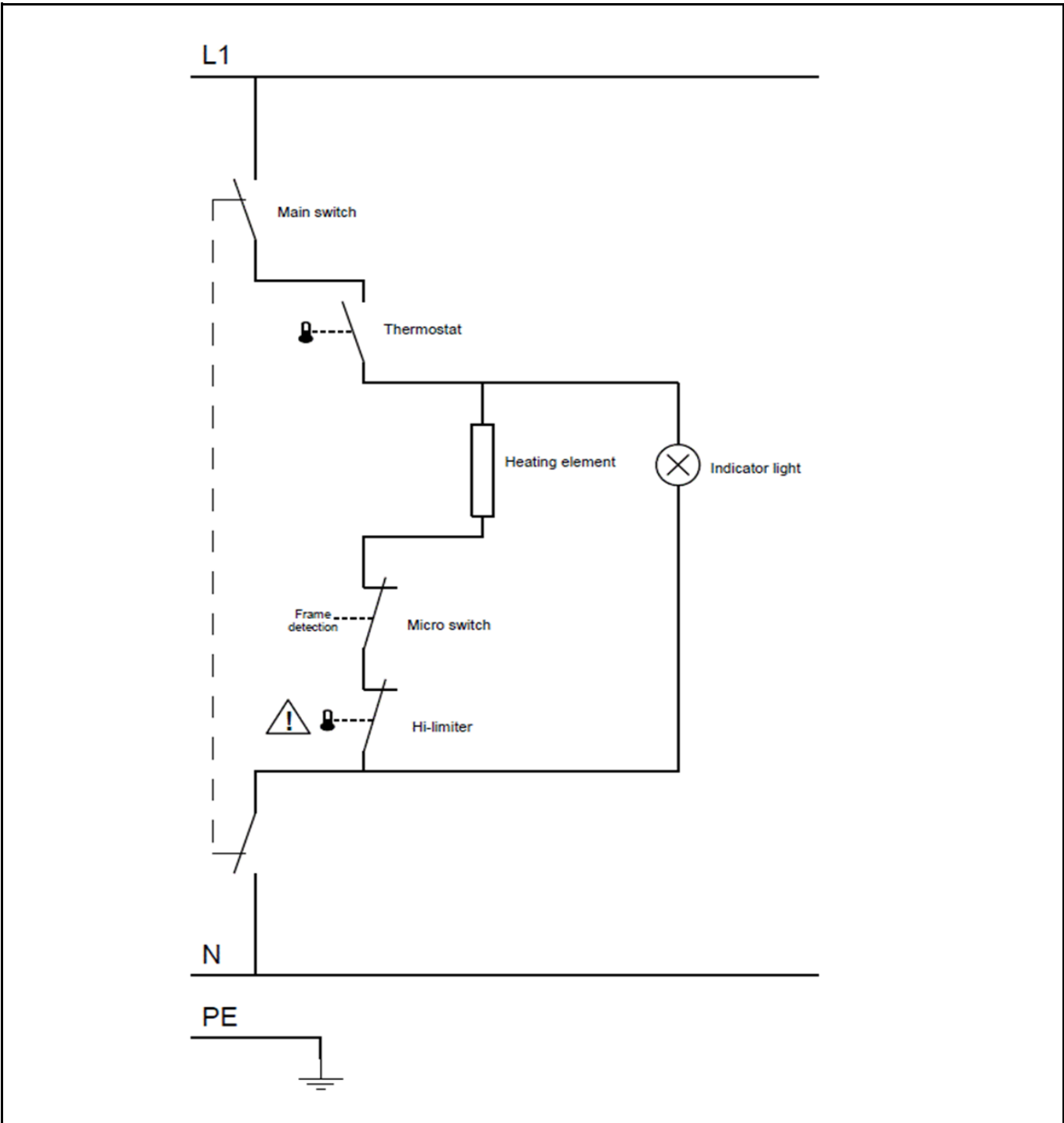
n/a -> not available

nss -> not sold separately


Circuit diagram

 HENDI Tools for Chefs Hendi B.V. Steenoven 21 3911 TX Rhenen The Netherlands	Batch #	Appliance part#
	000000 until 400937 and 401248	209202
	Description	
Deep fryer Masterpro 8L with faucet		

Date	30-04-2021	Revision #	1.0
Revision	First Bill of Materials (BOM)		



Wiring diagram

 <b style="font-size: 2em; margin-left: 10px;">HENDI Tools for Chefs Hendi B.V. Steenoven 21 3911 TX Rhenen The Netherlands	Batch #	Appliance part#
	000000 until 400937 and 401248	209202
	Description	
Deep fryer Masterpro 8L with faucet		

Date	30-04-2021	Revision #	1.0
Revision	First Bill of Materials (BOM)		

