

Drawing

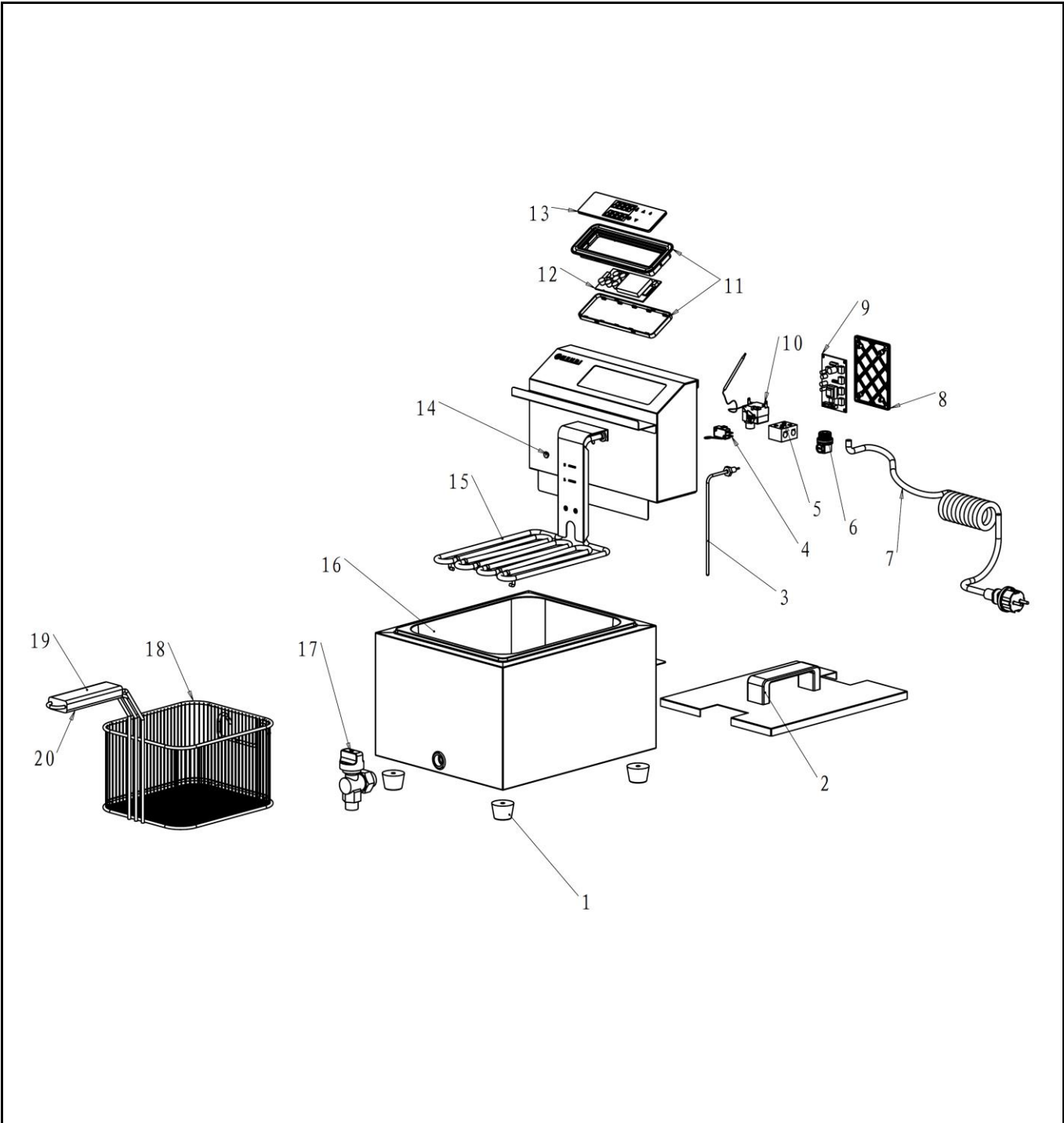


**Hendi B.V.**  
 Steenoven 21  
 3911 TX Rhenen  
 The Netherlands


<b>Batch #</b>	<b>Appliance part#</b>
000000 and up	<b>207369</b>

<b>Description</b>
Deep Fryer Mastercook with Drain Tap 8L

<b>Date</b>	13-06-2019	<b>Revision #</b>	1.0
<b>Revision</b>	First Bill of Materials (BOM)		



### Bill of materials (BOM)

 <b style="font-size: 24px; margin-left: 10px;">HENDI</b> <small style="color: green; margin-left: 10px;">Tools for Chefs</small> <b>Hendi B.V.</b> Steenoven 21 3911 TX Rhenen The Netherlands	<b>Batch #</b>	<b>Appliance part#</b>
	000000 and up	<b>207369</b>
	<b>Description</b>	
	Deep Fryer Mastercook with Drain Tap 8L	


<b>Date</b>	13-06-2019	<b>Revision #</b>	1.0
<b>Revision</b>	First Bill of Materials (BOM)		

Item	Description	Part#	Quantity	Remark	Picture
1	Feet	934876	4	Sold per piece	
2	Lid	934869	1		
3	Temperature probe	nss	1	Available as 945087	
4	Microswitch	n/a	1		
5	Terminal	930540	1		
6	Pull relief	912201	1		
7	Power cord	912027	1		
8	Main PCB mount bracket	nss	1	Available as 945087	
9	Main PCB	945087	1	Incl. Item 3,8 and 12	
10	Hi-limiter	930595	1		
11	Display PCB housing	n/a	1		
12	Display PCB	nss	1	Available as 945087	
13	Glass panel	n/a	1		
14	Grommet	n/a	1		
15	Heating element	n/a	1		
16	Frame	n/a	1		
17	Faucet	251515	1		
18	Fryer basket	933664	1		
19	Fryer basket handle	nss	1	Available as 933664	
20	Plug for handle	nss	2	Available as 933664	

n/a      -> not available

nss      -> not sold separately

**Circuit diagram**

 <b>HENDI</b> Tools for Chefs Hendi B.V. Steenoven 21 3911 TX Rhenen The Netherlands	<b>Batch #</b>	<b>Appliance part#</b>
	000000 and up	<b>207369</b>
	<b>Description</b>	
	Deep Fryer Mastercook with Drain Tap 8L	

<b>Date</b>	13-06-2019	<b>Revision #</b>	1.0
<b>Revision</b>	First Bill of Materials (BOM)		

