

Drawing



Tools for Chefs

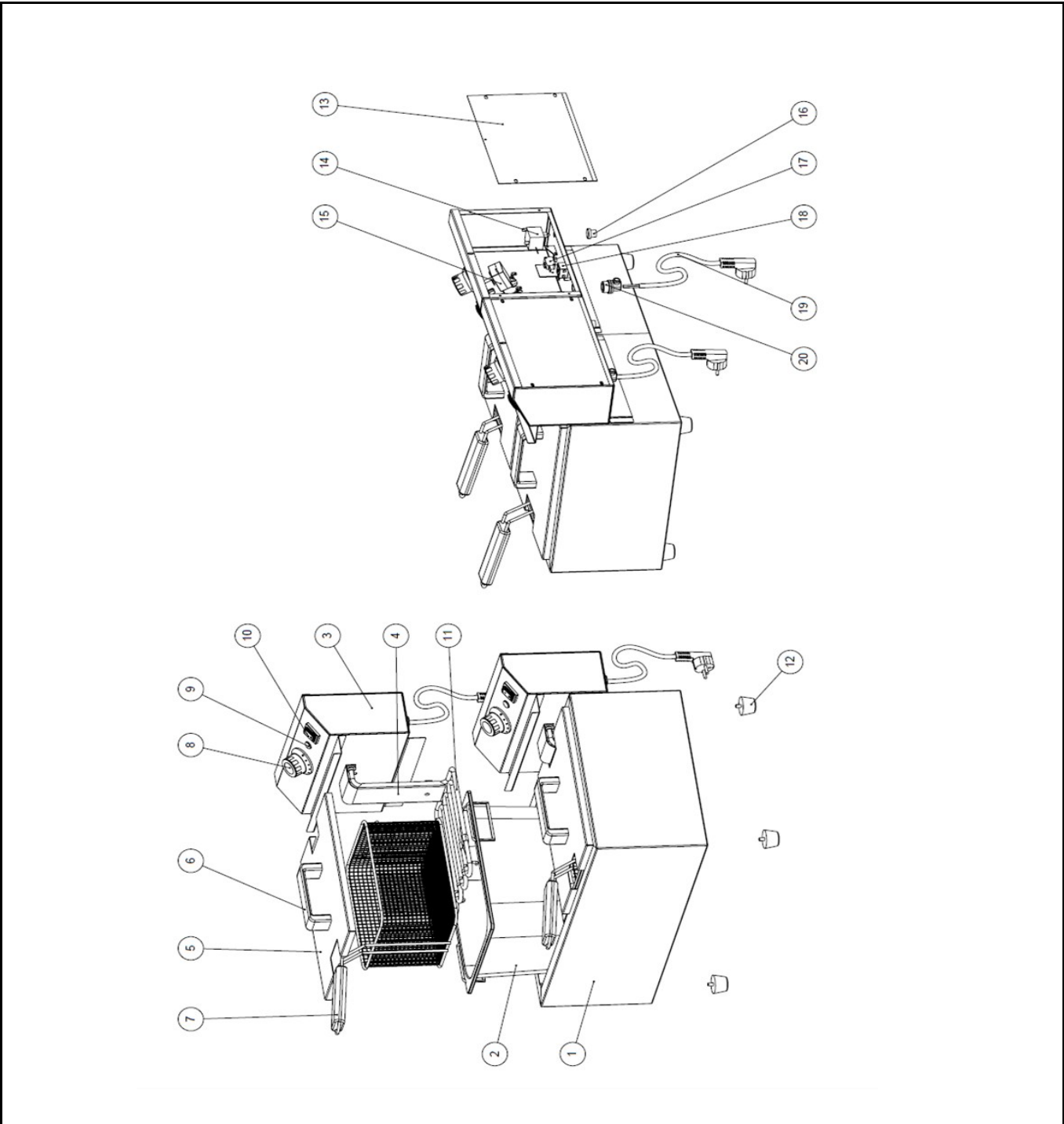
Hendi B.V.  
 Steenoven 21  
 3911 TX Rhenen  
 The Netherlands

Batch #  
 HK080020 and  
 up


Appliance part#  
**207307**

Description  
 Deep fryer Mastercook 2X8L

Date	30-04-2021	Revision #	1.2
Revision	Updated control panel and circuit diagram.		



### Bill of materials (BOM)

 <b style="font-size: 24px; margin-left: 10px;">HENDI</b> <span style="font-size: 12px; color: green; margin-left: 10px;">Tools for Chefs</span> <b>Hendi B.V.</b> Steenoven 21 3911 TX Rhenen The Netherlands	<b>Batch #</b>	<b>Appliance part#</b>
	HK080020 and up	<b>207307</b>
	<b>Description</b>	
<b>Deep fryer Mastercook 2X8L</b>		


<b>Date</b>	30-04-2021	<b>Revision #</b>	1.2
<b>Revision</b>	Updated control panel and circuit diagram.		

Item	Description	Part#	Quantity	Remark	Picture
1	Frame	n/a	1		
2	Fryer bassin	n/a	2		
3	Fryer head (complete assembly)	932308	2	Incl item 8,9,10,11,13 until 20	
4	Heat shield	nss	2	Available as 932308	
5	Lid	934869	2	Incl item 5	
6	Handle	nss	2	Available as 934896	
7	Fryer basket	933664	2		
8	Knob	934852	2	Also in 932308	
9	Indicator light	930533	2	Also in 932308	
10	Switch	205426	2	Also in 932308	
11	Element	941379	2	Also in 932308	
12	Feet	934876	4		
13	Back cover	nss	2	Available as 932308	
14	Hi-Limiter	930595	2	Also in 932308	
15	Thermostat	930557	2	Also in 932308	
16	Cover Hi-Limiter	nss	2	Available as 930595 and 932308	
17	Microswitch	207093	2	Also in 932308	
18	Terminal	930540	2	Also in 932308	
19	Power cord	912027	2	Also in 932308	
20	Pull relief	912201	2	Also in 932308	

n/a -> not available

nss -> not sold separately

### Circuit diagram

 <b>HENDI</b> Tools for Chefs Hendi B.V. Steenoven 21 3911 TX Rhenen The Netherlands	<b>Batch #</b>	<b>Appliance part#</b>
	HK080020 and up	207307
	<b>Description</b>	
	Deep fryer Mastercook 2X8L	

<b>Date</b>	30-04-2021	<b>Revision #</b>	1.2
<b>Revision</b>	Updated control panel and circuit diagram.		

