

Drawing



Tools for Chefs

Hendi B.V.
 Steenoven 21
 3911 TX Rhenen
 The Netherlands

Batch #

000000 until 400780
 and 401248

Appliance part#

207208

Description

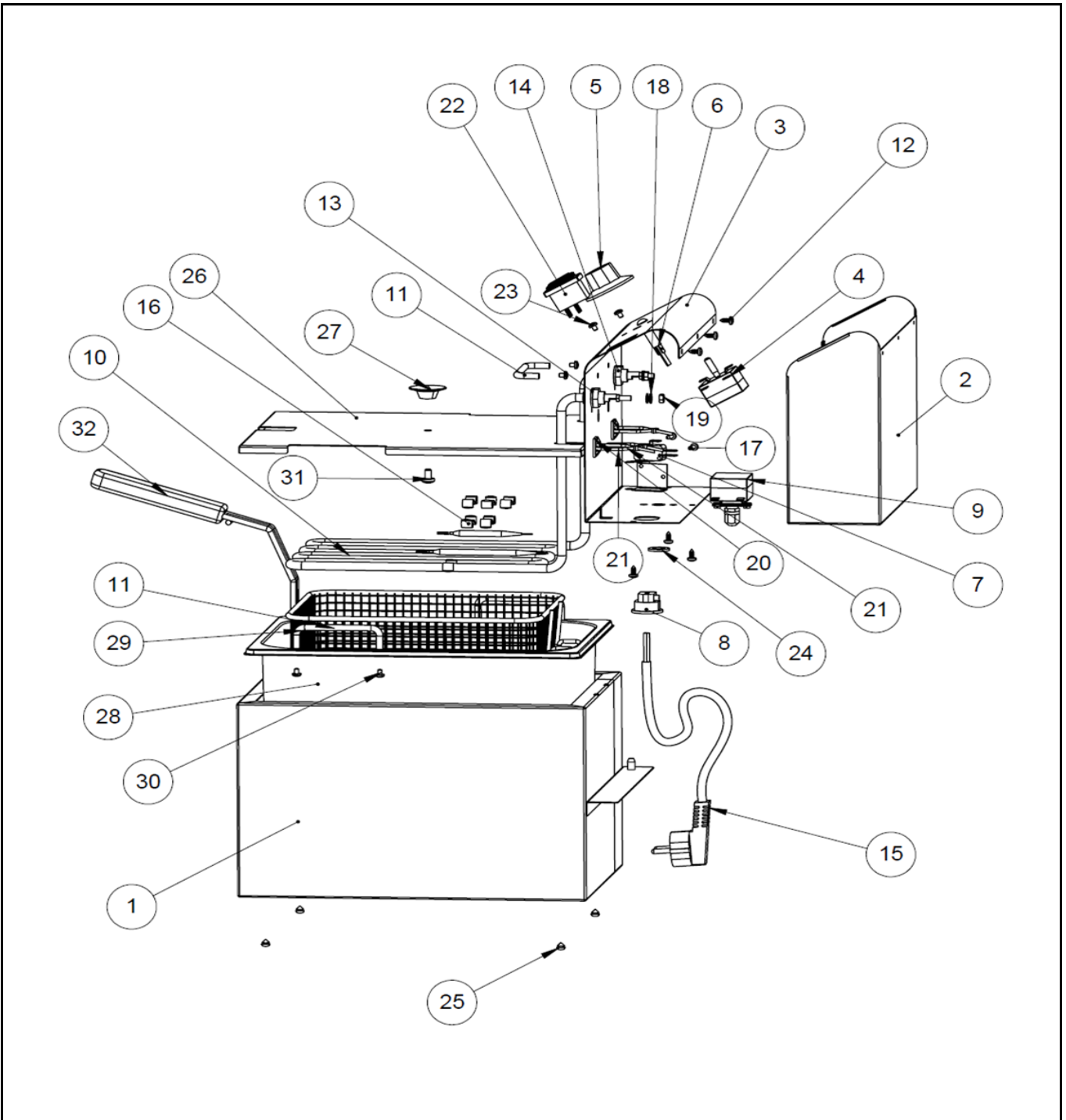
Deep fryer Mastercook 8L

Date 30-04-2021


Revision #

1.0

Revision First Bill of Materials (BOM)



Bill of materials (BOM)

 <b style="font-size: 24px; margin-left: 10px;">HENDI Tools for Chefs Hendi B.V. Steenoven 21 3911 TX Rhenen The Netherlands	Batch #	Appliance part#
	000000 until 400780 and 401248	207208
	Description	
Deep fryer Mastercook 8L		


Date	30-04-2021	Revision #	1.0
Revision	First Bill of Materials (BOM)		

Item	Description	Part#	Quantity	Remark	Picture
1	Frame complete	207222	1		
2	Back cover	nss	1	Available as 207215	
3	Fryer head complete	207215	1	Incl item 2, 4 and 5~24	
4	Thermostat 0/190°C	205228	1	Also in 207215	
5	Knob thermostat	205235	1	Also in 207215	
6	Indicator light yellow	201145	1	Also in 207215	
7	Microswitch 16A/250V	207093	1	Also in 207215	
8	Pull relief PA107	920107	1	Also in 207215	
9	Hi-limiter 230°C	929001	1	Also in 207215	
10	Element 3250W 230V	207048	1	Also in 207215	
11	Bracket	207154	1	2 pcs M4x5 included	
12	Sheet-metal srew 4.2x9.5	nss	6	Available as 207215	
13	Washer 13.5x20	nss	2	Available as 207215	
14	Nut 1/4"	nss	2	Available as 207215	
15	Powercord	207017	1	Also in 207215	
16	Leaf spring SS	207314	6	Also in 207215	
17	Sheet-metal screw 3,5 x 13	nss	2	Available as 207215	
18	Washer M5	nss	4	Available as 207215	
19	Nut M5	nss	2	Available as 207215	
20	Self adhesive mounting plate	nss	2	Available as 207215	
21	Tie rip	nss	3	Available as 207215	
22	Switch	205426	1	Also in 207215	
23	Nut M4x5	nss	4	Available as 207215	
24	Ring Hi-limiter	nss	1	Available as 207215	
25	Buffer	207185	4		
26	Lid	207062	1	Incl item 27;31	
27	Knob for lid	207024	1	Also in 207062	
28	Fryer bassin	207079	1		
29	Bracket	207154	2	2 pcs M4x5 included	
30	Screw M4x5	nss	4	Available in 207154	
31	Screw M6x10	nss	1	Available in 207024 and 207062	
32	Fryer basket	643617	1		

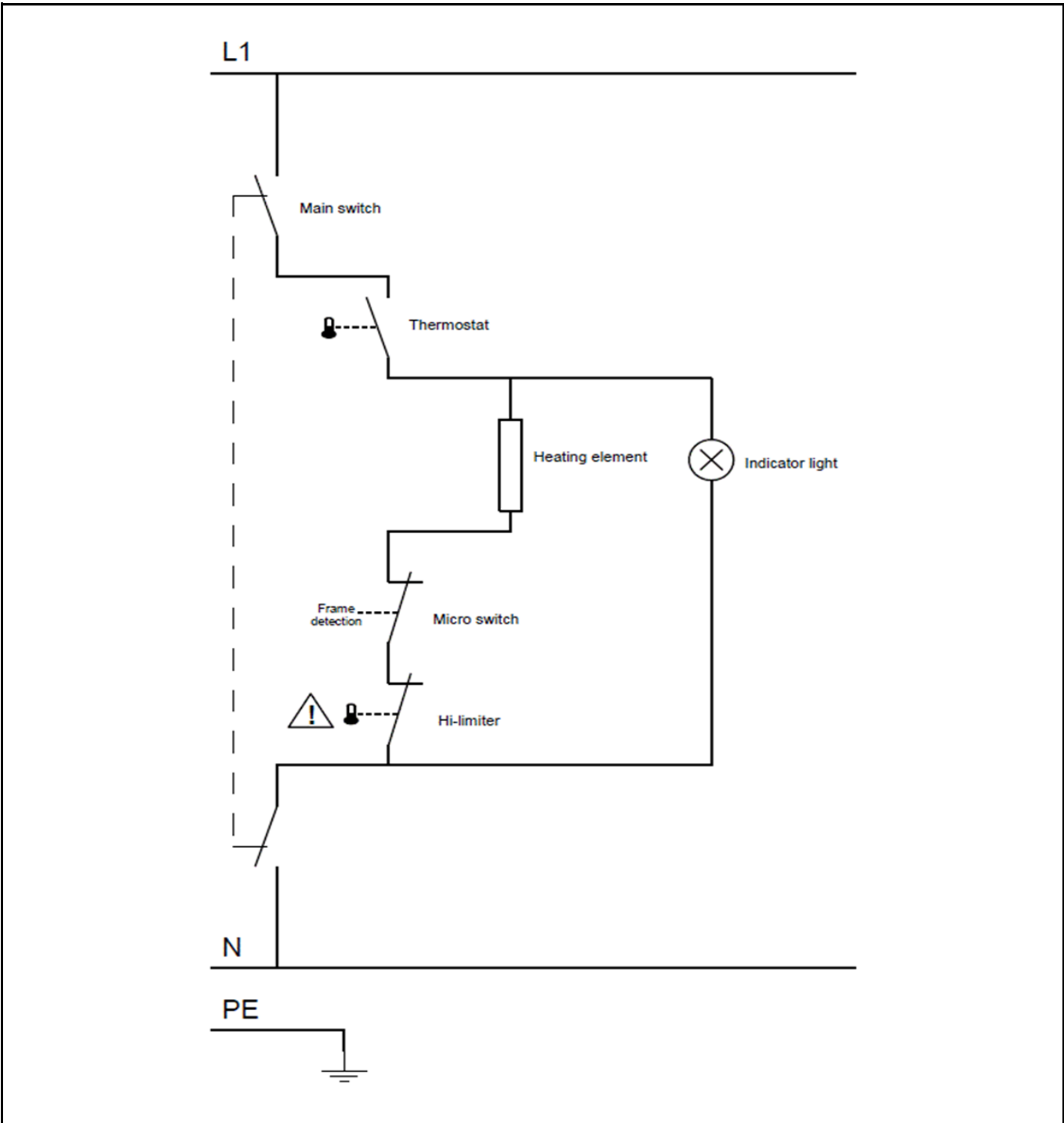
n/a -> not available

nss -> not sold separately


Circuit diagram

 HENDI Tools for Chefs Hendi B.V. Steenoven 21 3911 TX Rhenen The Netherlands	Batch #	Appliance part#
	000000 until 400780 and 401248	207208
	Description	
	Deep fryer Mastercook 8L	

Date	30-04-2021	Revision #	1.0
Revision	First Bill of Materials (BOM)		



Wiring diagram

 HENDI Tools for Chefs Hendi B.V. Steenoven 21 3911 TX Rhenen The Netherlands	Batch #	Appliance part#
	000000 until 400780 and 401248	207208
	Description	
	Deep fryer Mastercook 8L	

Date	30-04-2021	Revision #	1.0
Revision	First Bill of Materials (BOM)		

