

Drawing



Tools for Chefs

Hendi B.V.

Steenoven 21
3911 TX Rhenen
The Netherlands

Batch #

HK094220 and
up

Appliance part#

205853

Description

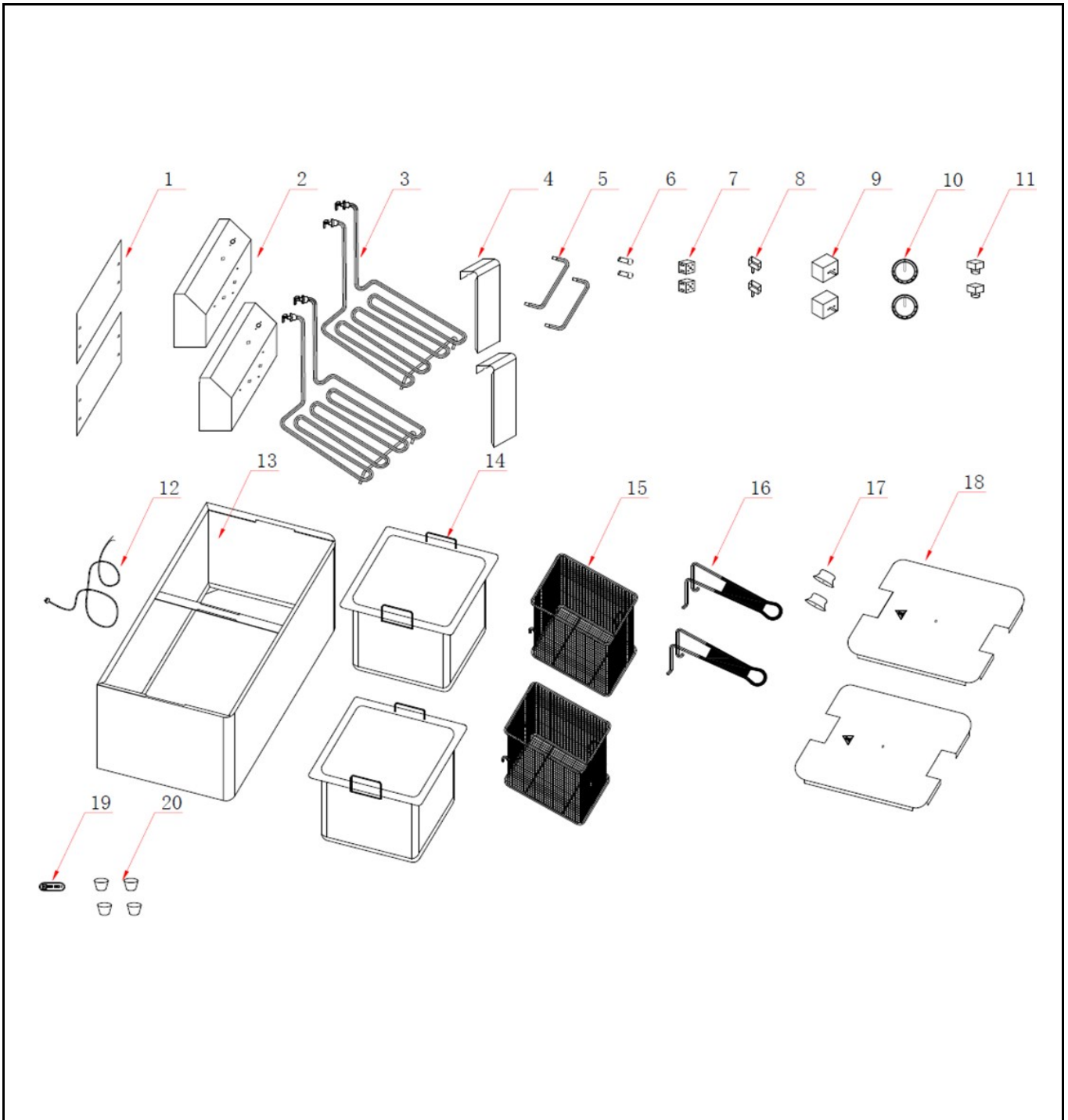
Deep fryer 2X6L Blue Line

Date 28-07-2021


Revision #

1.1

Revision Updated control panel.



Bill of materials (BOM)

 <b style="font-size: 24px; margin-left: 10px;">HENDI Tools for Chefs Hendi B.V. Steenoven 21 3911 TX Rhenen The Netherlands	Batch #	Appliance part#
	HK094220 and up	205853
	Description	
Deep fryer 2X6L Blue Line		


Date	28-07-2021	Revision #	1.1
Revision	Updated control panel.		

Item	Description	Part#	Quantity	Remark	Picture
1	Back cover	n/a	2		
2	Front cover	n/a	2		
3	Heating element	930625	2		
4	Heating element cover	n/a	2		
5	Bracket	n/a	2		
6	Indicator light (orange)	930533	2		
7	Terminal	930540	2		
8	Microswitch	930571	2		
9	Thermostat	930557	2		
10	Knob thermostat	934852	2		
11	Hi-limiter	930595	2		
12	Power cord	912027	2		
13	Frame	n/a	1		
14	Fryer basin	n/a	2		
15	Fryer basket	930632	2	Incl. item 16	
16	Fryer basket handle	nss	2	Available as 930632	
17	Knob for lid	940402	2		
18	Lid	n/a	2		
19	Logo badge Hendi	955963	2		
20	Feet	930588	4	Set of 4	
*	Probe holder	930663	4	Not shown on drawing	

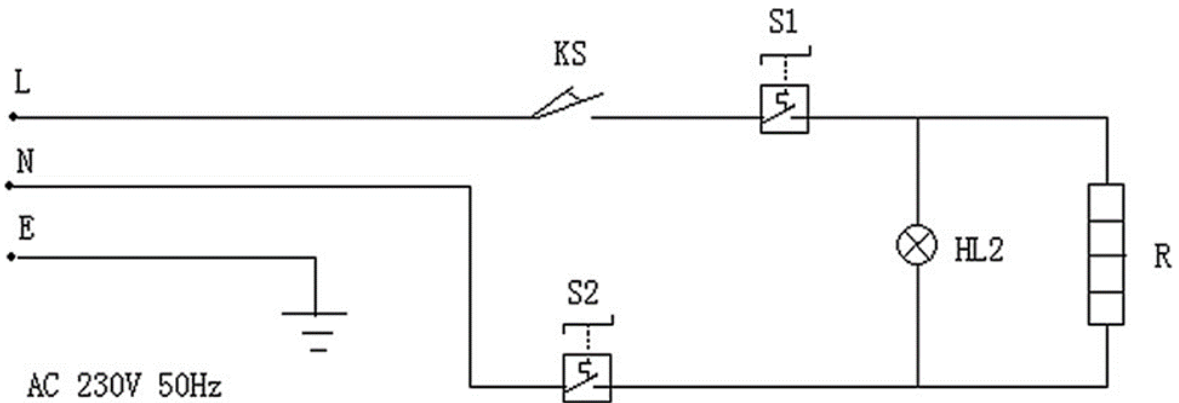
n/a -> not available

nss -> not sold separately

Circuit diagram

 <b style="font-size: 24px; margin-left: 10px;">HENDI Tools for Chefs Hendi B.V. Steenoven 21 3911 TX Rhenen The Netherlands	Batch #	Appliance part#
	HK094220 and up	205853
	Description	
	Deep fryer 2X6L Blue Line	

Date	28-07-2021	Revision #	1.1
Revision	Updated control panel.		



S1 - Thermostat
 S2 - Hi Limiter
 KS - Switch

R - Element
 HL - Lamp Indicator