

Drawing



Tools for Chefs

Hendi B.V.

Innovatielaan 6
6745XW De Klomp
The Netherlands

Batch #

V.02

Appliance part#

205846

Description

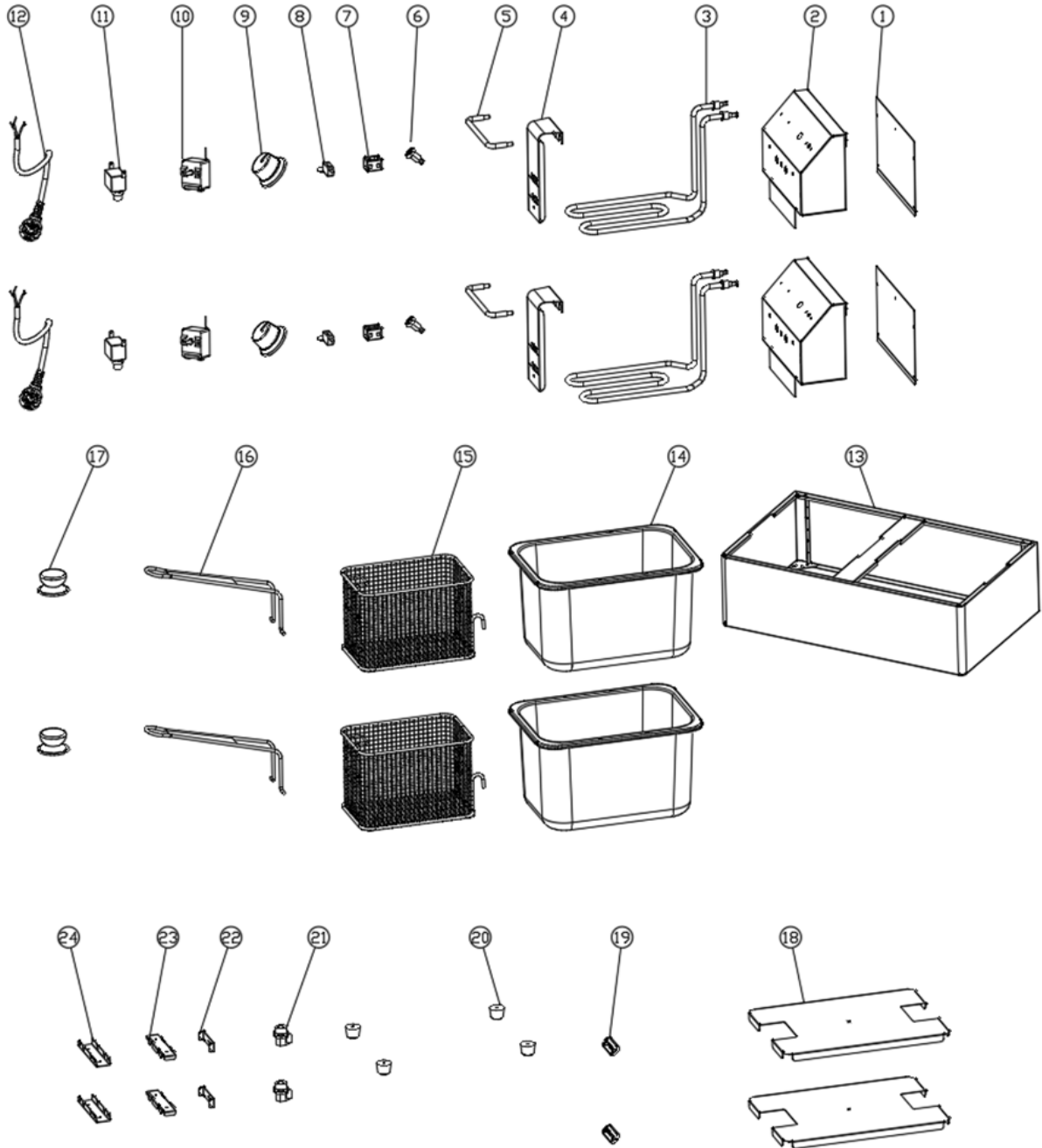
Deepfryer Kitchenline 2x4Ltr

Date 16-02-2026


Revision #

V.02

Revision New model.



Bill of materials (BOM)

 <b style="font-size: 24px; font-weight: bold;">HENDI <small style="color: green;">Tools for Chefs</small> Hendi B.V. Steenoven 21 3911 TX Rhenen The Netherlands	Batch #	Appliance part#
	V.02	205846
	Description	
	Deepfryer Kitchenline 2x4Ltr	


Date	16-02-2026	Revision #	V.02
Revision	New model.		

Item	Description	Part#	Quantity	Remark	Picture
1	Fryer head cover	n/a	2		
2	Fryer head housing	n/a	2		
3	Heating element (3000W)	972809	2		
4	Heating element cover	n/a	2		
5	Bracket	n/a	2		
6	Indicator light (orange)	912003	2		
7	Terminal	972755	2		
8	Microswitch	972762	2		
9	Thermostat knob	934852	2		
10	Thermostat	972779	2		
11	Hi-limiter	972786	2		
12	Power cord	912027	2		
13	Housing frame	n/a	1		
14	Oil tank	n/a	2		
15	Fryer basket	930618	2	Incl. item 16	
16	Fryer basket handle	nss	2	Included in item 930618	
17	Knob lid	nss	2	Included in item 18	
18	Lid (incl. knob)	n/a	2		
19	Logo badge "Hendi"	955963	2		
20	Feet	972793	4	Set of 4pcs	
21	Pull relief	912201	2		
22	Heatign element bracket	nss	2		
23	Probholder	nss	2		
24	Probholder bracket	nss	2		
25	Bracket set	972816	2	Incl. item 22, 23 and 24	

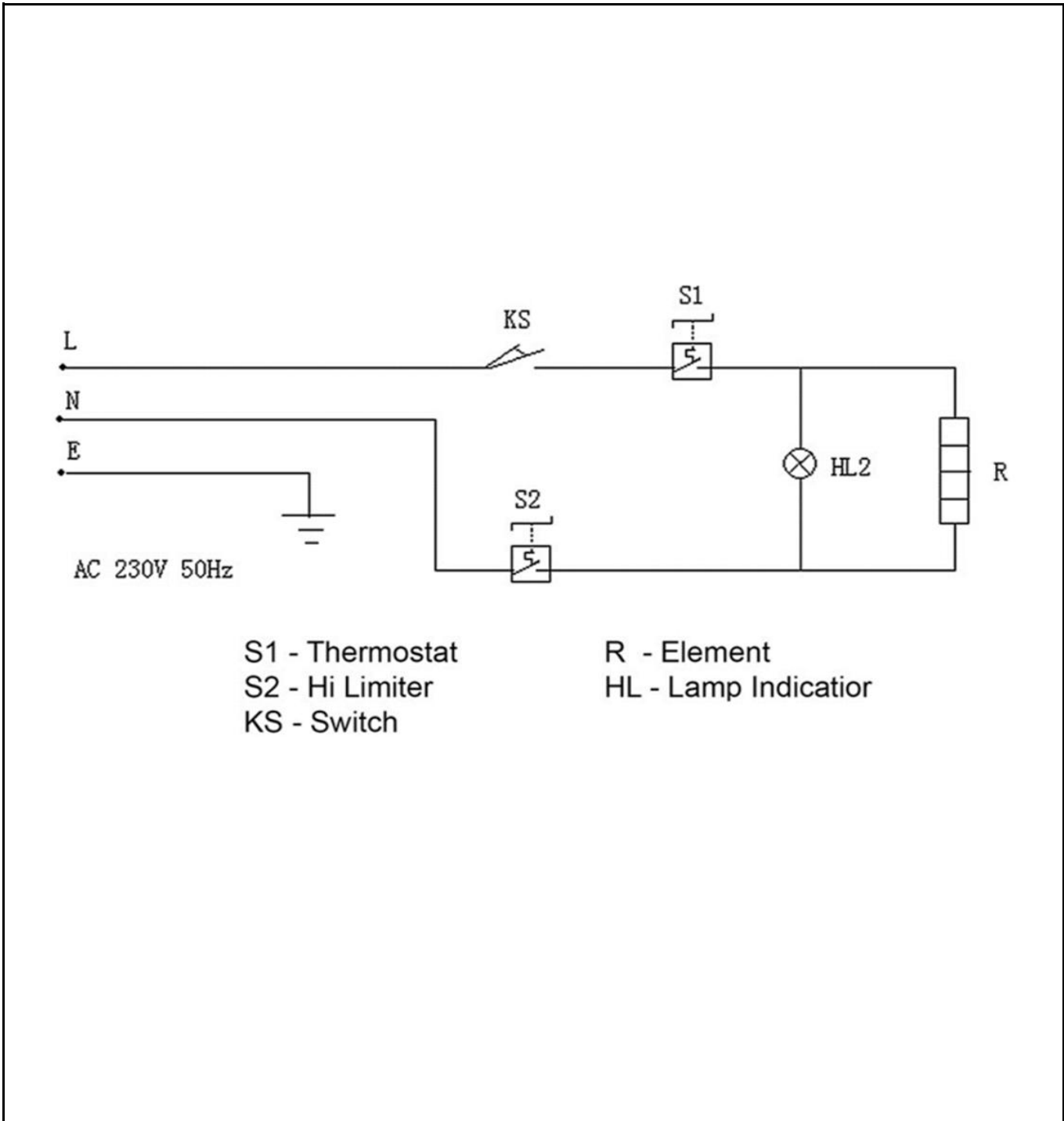
n/a -> not available

nss -> not sold separately


Circuit diagram

 HENDI Tools for Chefs Hendi B.V. Steenoven 21 3911 TX Rhenen The Netherlands	Batch #	Appliance part#
	V.02	205846
	Description	
	Deepfryer Kitchenline 2x4Ltr	

Date	16-02-2026	Revision #	V.02
Revision	New model.		



Dimentional drawing

 HENDI Tools for Chefs Hendi B.V. Steenoven 21 3911 TX Rhenen The Netherlands	Batch #	Appliance part#
	V.02	205846
	Description	
	Deepfryer Kitchenline 2x4Ltr	

Date	16-02-2026	Revision #	V.02
Revision	New model.		

