

Drawing



Tools for Chefs

Hendi B.V.
Innovatielaan 6
6745XW De Klomp
The Netherlands

Batch #

V.02

Appliance part#

205815

Description

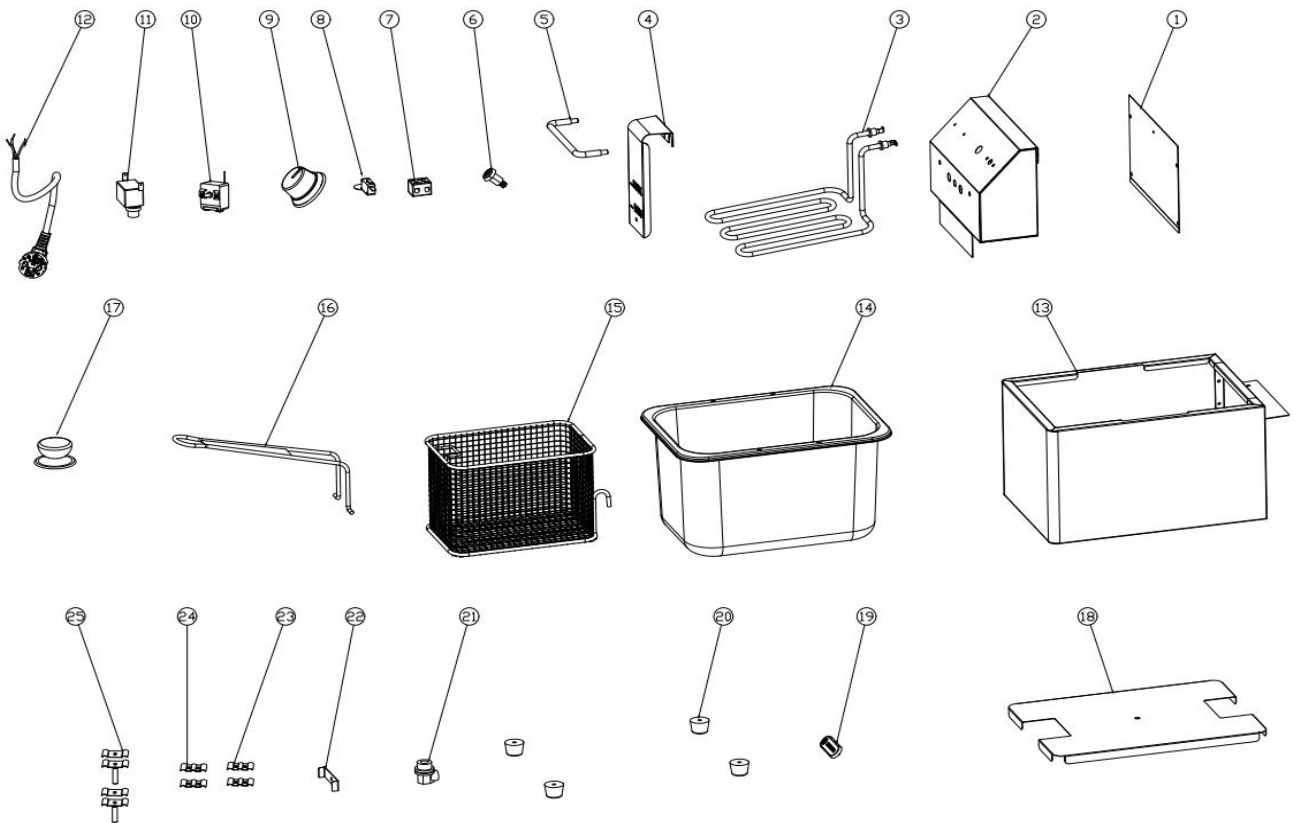
Deepfryer 6L

Date 16-02-2026


Revision #

V.02

Revision New model.



Bill of materials (BOM)

 <b style="font-size: 24px; font-weight: bold;">HENDI <small style="color: green;">Tools for Chefs</small> Hendi B.V. Steenoven 21 3911 TX Rhenen The Netherlands	Batch #	Appliance part#
	V.02	205815
	Description	
	Deepfryer 6L	


Date	16-02-2026	Revision #	V.02
Revision	New model.		

Item	Description	Part#	Quantity	Remark	Picture
1	Fryer head cover	n/a	1		
2	Fryer head housing	n/a	1		
3	Heating element (3300W)	972823	1		
4	Heating element cover	n/a	1		
5	Bracket	n/a	1		
6	Indicator light (orange)	912003	1		
7	Terminal	972755	1		
8	Mircoswitch	972762	1		
9	Thermostat knob	934852	1		
10	Thermostat	972779	1		
11	Hi-limiter	972786	1		
12	Power cord	912027	1		
13	Housing frame	n/a	1		
14	Oil tank	n/a	1		
15	Fryer basket	930632	1	Incl. item 16	
16	Fryer basket handle	nss			
17	Knob lid	nss	1		
18	Lid	n/a	1	Incl. item 17	
19	Logo badge "Hendi"	955963	1		
20	Feet	972793	4	Set of 4pcs	
21	Pull relief	912201	1		
22	Heating element bracket	nss	1		
23	Probe holder (thermostat)	nss	1		
24	Probe holder (hi-limiter)	nss	1		
25	Heating element support	nss	2		
*	Bracket set	972830	1	Incl. item 22, 23, 24 and 25	

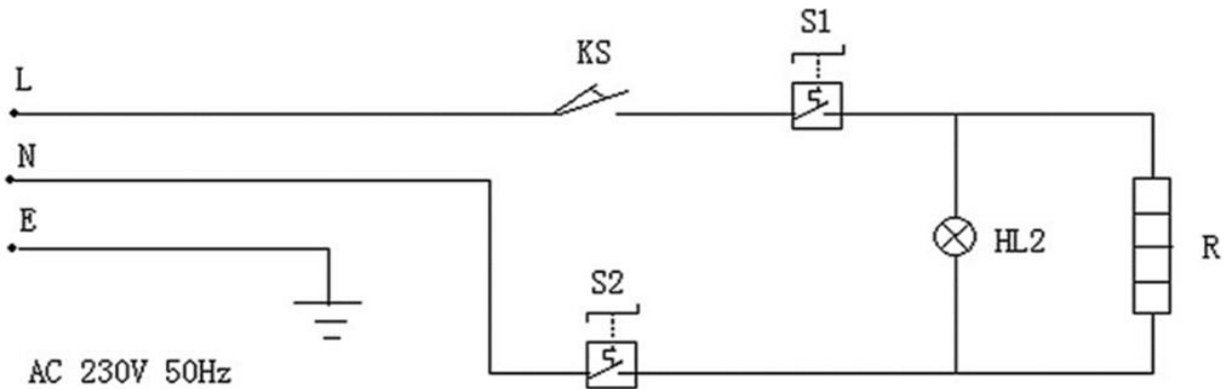
n/a -> not available

nss -> not sold separately

Circuit diagram

 HENDI Tools for Chefs Hendi B.V. Steenoven 21 3911 TX Rhenen The Netherlands	Batch #	Appliance part#
	V.02	205815
	Description	
	Deepfryer 6L	

Date	16-02-2026	Revision #	V.02
Revision	New model.		



S1 - Thermostat
 S2 - Hi Limiter
 KS - Switch

R - Element
 HL - Lamp Indicator

Dimentional drawing



Tools for Chefs

Hendi B.V.

Steenoven 21
3911 TX Rhenen
The Netherlands

Batch #

V.02

Appliance part#

205815

Description

Deepfryer 6L

Date 16-02-2026

Revision #

V.02

Revision New model.

