

Drawing



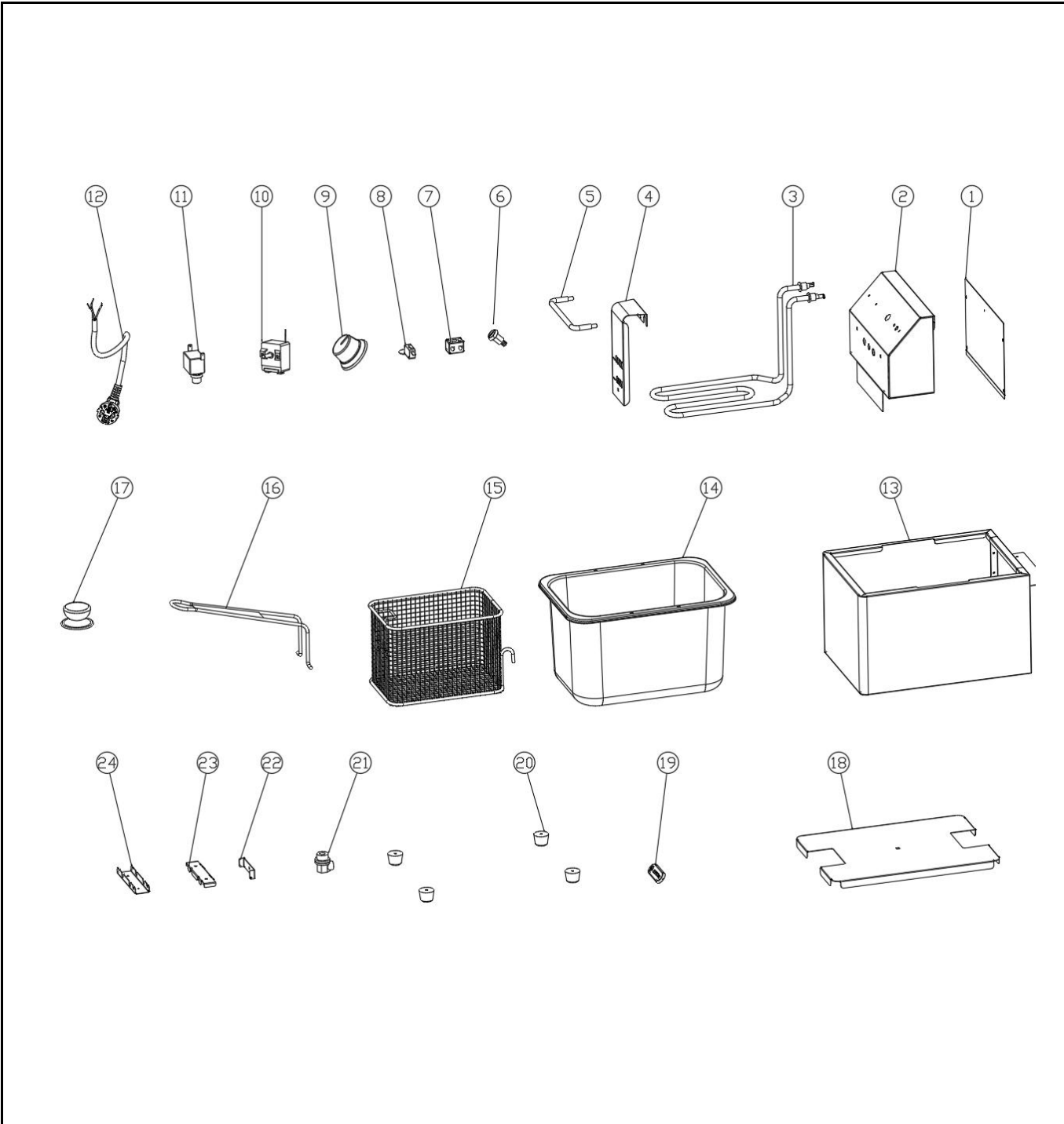
Tools for Chefs

Hendi B.V.
 Innovatielaan 6
 6745XW De Klomp
 The Netherlands


Batch #	Appliance part#
000000 and up	205808

Description
Deepfryer Kitchenline 4Ltr

Date	16-02-2026	Revision #	V.02
Revision	New model.		



Bill of materials (BOM)

 <b style="font-size: 24pt; font-weight: bold;">HENDI <small style="color: green;">Tools for Chefs</small> Hendi B.V. Steenoven 21 3911 TX Rhenen The Netherlands	Batch #	Appliance part#
	000000 and up	205808
	Description	
	Deepfryer Kitchenline 4Ltr	

Date	16-02-2026	Revision #	V.02
Revision	New model.		

Item	Description	Part#	Quantity	Remark	Picture
1	Fryer head cover	n/a	1		
2	Fryer head housing	n/a	1		
3	Heating element (3000W)	972809	1		
4	Heating element cover	n/a	1		
5	Bracket	n/a	1		
6	Indicator light (orange)	912003	1		
7	Terminal	972755	1		
8	Microswitch	972762	1		
9	Thermostat knob	934852	1		
10	Thermostat	972779	1		
11	Hi-limiter	972786	1		
12	Power cord	912027	1		
13	Housing frame	n/a	1		
14	Oil tank	n/a	1		
15	Fryer basket	930618	1	Incl. item 16	
16	Fryer basket handle	nss	1	Included in item 930618	
17	Knob lid	nss	1		
18	Lid (incl. knob)	n/a	1		
19	Logo badge "Hendi"	955963	1		
20	Feet	972793	1	Set of 4pcs	
21	Pull relief	912201	1		
22	Heating element bracket	nss	1		
23	Probholder	nss	1		
24	Probholder bracket	nss	1		
*	Bracket set	972816	1	Incl. item 22, 23 and 24	

n/a -> not available

nss -> not sold separately

Circuit diagram



Hendi B.V.
Steenoven 21
3911 TX Rhenen
The Netherlands

Tools for Chefs

Batch #

000000 and up

Appliance part#

205808

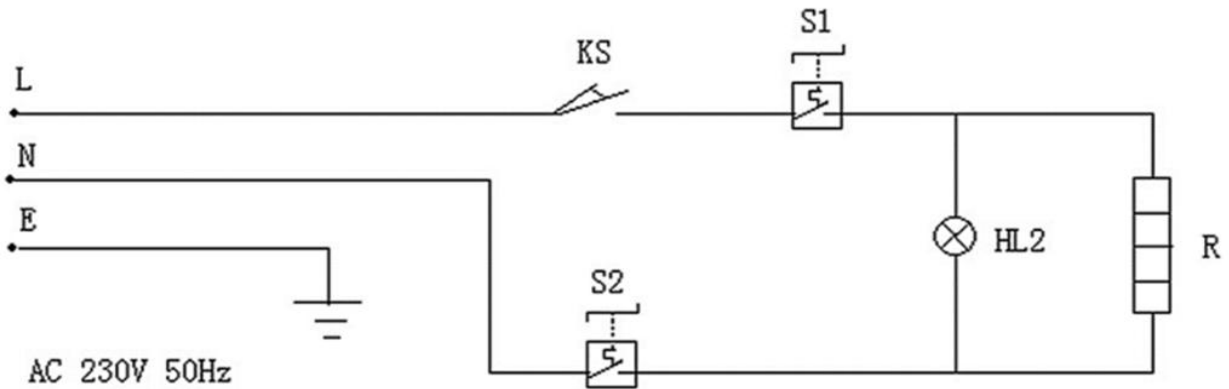
Description

Deepfryer Kitchenline 4Ltr

Date 16-02-2026

Revision # V.02

Revision New model.



S1 - Thermostat
S2 - Hi Limiter
KS - Switch

R - Element
HL - Lamp Indicator

Dimentional drawing



HENDI

Tools for Chefs

Hendi B.V.

Steenoven 21
3911 TX Rhenen
The Netherlands

Batch #

000000 and up

Appliance part#

205808

Description

Deepfryer Kitchenline 4Ltr

Date 16-02-2026

Revision #

V.02

Revision New model.

