

Drawing



Tools for Chefs

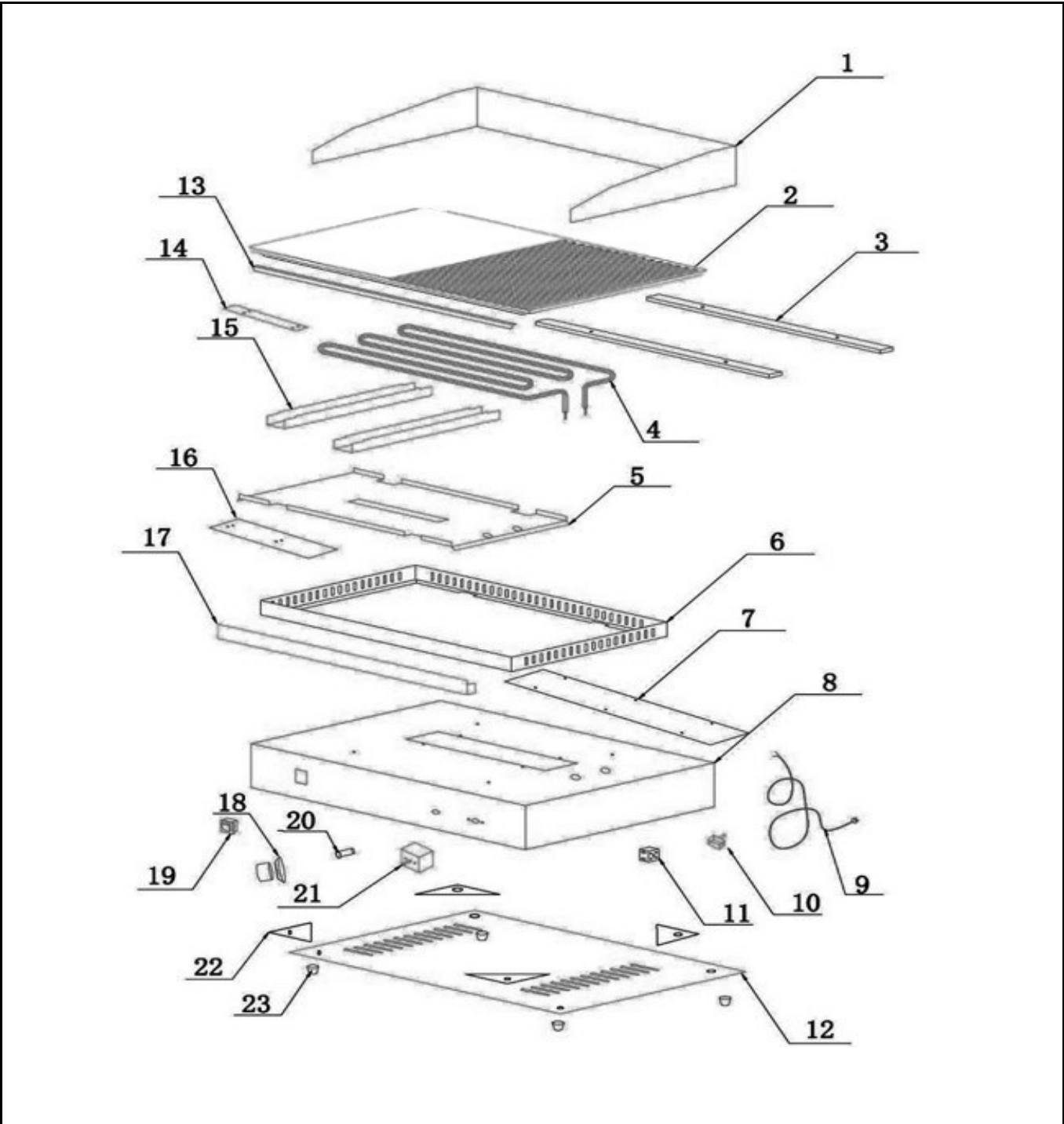
Hendi B.V.
 Steenoven 21
 3911 TX Rhenen
 The Netherlands

Batch #
 HK029620 and
 up


Appliance part#
203156

Description
 Griddle profi Line
 1/2 smooth, 1/2 ribbed

Date	28-07-2021	Revision #	1.1
Revision	Updated control panel and circuit diagram.		



Bill of materials (BOM)

 <b style="font-size: 24px; margin-left: 10px;">HENDI <small style="color: green; margin-left: 10px;">Tools for Chefs</small> Hendi B.V. Steenoven 21 3911 TX Rhenen The Netherlands	Batch #	Appliance part#
	HK029620 and up	203156
	Description	
Griddle profi Line 1/2 smooth, 1/2 ribbed		

Date	28-07-2021	Revision #	1.1
Revision	Updated control panel and circuit diagram.		

Item	Description	Part#	Quantity	Remark	Picture
1	Backsplash	n/a	1		
2	Griddle plate 1/2 flat, 1/2 ribbed	n/a	1		
3	Bracket	n/a	2		
4	Heating element	929841	1		
5	Heating element cover	n/a	1		
6	Upper housing	n/a	1		
7	Cover	n/a	1		
8	Lower housing	n/a	1		
9	Power cord	912027	1		
10	Hi-limiter	929858	1		
11	Terminal	929940	1		
12	Bottom cover	n/a	1		
13	Bracket	n/a	1		
14	Probe holder	n/a	1		
15	Bracket	n/a	2		
16	Cover	n/a	1		
17	Drip tray	929957	1		
18	Knob thermostat	929865	1		
19	Switch	205426	1		
20	Indicator light	930533	1		
21	Thermostat	902011	1		
22	Corner bracket	n/a	4		
23	Feet	929896	1	Set of 4	
*	Cord inlet with retention	912201	1	Not shown on drawing	

n/a -> not available

nss -> not sold separately

Circuit diagram



Hendi B.V.
Steenoven 21
3911 TX Rhenen
The Netherlands

Tools for Chefs

Batch #

HK029620 and
up

Appliance part#

203156

Description

Griddle profi Line
1/2 smooth, 1/2 ribbed

Date 28-07-2021

Revision # 1.1

Revision Updated control panel and circuit diagram.

