



Tools for Chefs

INFRARED PATIO HEATER TORNADO

272435



You should read this user manual carefully before using the appliance.

Sie sollten diese Bedienungsanleitung sorgfältig lesen, bevor Sie das Gerät verwenden.

Lees deze gebruikershandleiding zorgvuldig door voordat u het apparaat gebruikt.

Przed użyciem urządzenia należy uważnie przeczytać niniejszą instrukcję obsługi.

Vous devez lire attentivement ce manuel d'utilisation avant d'utiliser l'appareil.

È necessario leggere attentamente questo manuale utente prima di utilizzare l'apparecchio.

Ar trebui să citiți cu atenție acest manual de utilizare înainte de a utiliza aparatul.

Перед использованием прибора внимательно прочтите это руководство пользователя.

Πρέπει να διαβάσετε προσεκτικά αυτό το εγχειρίδιο χρήσης πριν χρησιμοποιήσετε τη συσκευή.



Keep these instructions with the appliance.
Diese Gebrauchsanweisung bitte beim Gerät aufbewahren.
Bewaar deze handleiding bij het apparaat.
Zachowaj instrukcję urządzenia
Gardez ces instructions avec cet appareil.
Conservate le istruzioni insieme all'apparecchio.
Pástrajte maualul de utilizare alături de aparat.
Хранить руководство вместе с устройством.
Φυλάξτε αυτές τις οδηγίες μαζί με τη συσκευή.




Only use this appliance outdoors or in a well ventilated area.
Verwenden Sie dieses Gerät nur im Freien oder in einem gut belüfteten Bereich.
Gebruik dit apparaat alleen buitenshuis of in een goed geventileerde ruimte.
Używaj tego urządzenia tylko na zewnątrz lub w dobrze wentylowanym pomieszczeniu.
Utiliser cet appareil uniquement en extérieur ou dans un endroit bien aéré.
Utilizzare questo apparecchio solo all'aperto o in aree ben aerate.
Utilizați aparatul numai în aer liber sau într-o zonă bine ventilată.
Данное устройство допускается использовать только на улице или в хорошо вентилируемом помещении.
Χρησιμοποιείτε τη συσκευή μόνο σε εξωτερικούς χώρους ή σε καλά αεριζόμενο χώρο.



Dear Customer,

Thank you for purchasing this HENDI appliance. Read this manual carefully, paying particular attention to the safety regulations outlined below, before installing and using this appliance for the first time.

Safety regulations

- This appliance is intended for commercial use only.
- Only use the appliance for the intended purpose it was designed for as described in this manual.
- The manufacturer is not liable for any damage caused by incorrect operation and improper use.
- Keep the appliance and electrical plug away from water and other liquids. In the event the appliance falls into water, immediately remove the power plug from the socket. Do not use the appliance until it has been checked by a certified technician. Failure to follow these instructions will cause life threatening risks.
- Never attempt to open the housing of the appliance by yourself.
- Do not insert objects into the housing of the appliance.
- Do not touch the plug with wet or damp hands.
-  **DANGER OF ELECTRIC SHOCK!** Do not attempt to repair the appliance by yourself, repairs are only to be conducted by qualified personnel.
- **Never use a damaged appliance!** When it's damaged, disconnect the appliance from the socket and contact the retailer.
- **WARNING!** Do not immerse the electrical parts of the appliance in water or other liquids.
- Never hold the appliance under running water.
- Regularly check the power plug and cord for any damage. When damaged it must be replaced by a service agent or similarly qualified person in order to avoid danger or injury.
- Make sure the cord does not come in contact with sharp or hot objects and keep it away from open fire. Never pull the power cord to unplug it from the socket, always pull the plug instead.
- Make sure that the power cord and/or extension cord do not cause a trip hazard.
- Never leave the appliance unattended during use.
- **WARNING!** As long as the plug is in the socket the appliance is connected to the power source.
- Turn off the appliance before unplugging it from the socket.
- Connect the power plug to an easily accessible electrical socket so that in case of emergency the appliance can be unplugged immediately.
- Never carry the appliance by the cord.
- Do not use any extra devices that are not supplied together with the appliance.
- Only connect the appliance to an electrical outlet with the voltage and frequency mentioned on the appliance label.
- Never use accessories other than those recommended by the manufacturer. Failure to do so could pose a safety risk to the user and could damage the appliance. Only use original parts and accessories.

EN



- This appliance should not be operated by persons with reduced physical, sensory or mental capabilities, or persons that have a lack of experience and knowledge.
- This appliance should, under any circumstances, not be used by children.
- Keep the appliance and its power cord out of reach of children.
- **WARNING:** ALWAYS switch off the appliance and unplug from power socket before cleaning, maintenance or storage.

Special Safety Regulations

- **READ CAREFULLY**-The infrared heater is designed for safe operation. Nevertheless, installation, maintenance and operation of the heater can be dangerous. Observing the following procedures will reduce the risk of fire, electric shock, injury to persons and keep installation time to a minimum. Save these instructions for future use.
- Remove the unit from its packaging and check to make sure it is in good condition before using.
- Do not let children play with parts of package (such as plastic bags).
- This heater is hot when in use. To avoid burns, do not let bare skin touch hot surfaces. If provided, use handles when moving this heater. Keep combustible materials, such as furniture, pillows, bedding, papers, clothes, and curtains at least 3 feet (0.9 m) from the front of the heater and keep them away from the sides and rear.
- Extreme caution is necessary when the heater is used near children or invalids.
- Do not use near or in the immediate vicinity of a bath or swimming pool or any source of liquid.
- Do not insert or allow foreign objects to enter any ventilation or exhaust opening, as this may cause an electric shock, fire or damage to the heater.
- Always unplug the heater when not in use.
- Connect to properly grounded outlets only.
- Always plug heaters directly into a wall outlet/receptacle. For outdoor use, never use with an extension cord or relocatable power tap (outlet/power strip).
- Do not allow cord to overhang the counter top where it can be easily pulled by children.
- Do not put fingers or foreign objects into the grill while in operation.
- Do not leave the appliance unattended when in use.
- This heater is not intended for use in bathrooms, laundry and similar indoor locations, never put heater where it may fall into a bathtub or other water container.
- Do not operate any heater with a damaged cord or plug or after the heater malfunctions, has been dropped or damaged in any manner. Disconnect power at service panel and have heater inspected by a reputable electrician before reusing. If the supply cord is damaged in any way, it must be replaced by the manufacturer or its service agent or a similarly qualified person in order to avoid a hazard.
- Do not run cord under carpeting. Do not cover cord with throw rugs, runners, or similar coverings. Do not route cord under furniture or appliances. Arrange cord away from traffic area and where it will not be tripped over.

- To prevent overheating of this appliance, keep the air inlets and outlets clean and free of anything that may cause blockage. Check all inlets and outlets from time to time to ensure it is clear of any dirt or dust accumulation. **DO NOT COVER.**
- A heater has hot and arcing or sparking parts inside. Do not use it in areas where gasoline, paint, or flammable liquids are used or stored.
- Parts of the heater may exceed 200°C, contact with the heating tube, reflector, or metal parts near the heating tube, may cause severe BURNS. To avoid burns, do not let bare skin touch hot surface.
- NEVER place hands under the heating elements. ALWAYS allow heating element to cool at least 10 minutes before touching the heating tube or adjacent parts.
- This product contains recyclable materials. Do not dispose this product as unsorted municipal waste. Please contact your local municipality for the nearest collection point.

Intended use

- The appliance is intended for professional use.
- The appliance is designed for heating outside and under strict regulations inside. Any other use may lead to damage of the appliance or personal injury.
- Operating the appliance for any other purpose shall be deemed a misuse of the device. The user shall be solely liable for improper use of the device.

Grounding installation

This appliance is classified as **protection class I** and must be connected to a protective ground. Grounding reduces the risk of electric shock by providing an escape wire for the electric current.

This appliance is fitted with a power cord that has a grounding wire and grounded plug. The plug must be plugged into an outlet that is properly installed and grounded.

EN

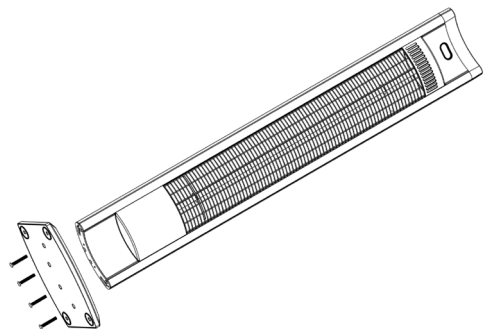
Introduction

The HENDI TORNADO carbon infrared heaters produce instant and comfortable heat like the sun. These robust and weatherproof heaters are de-

signed for domestic and commercial heating applications within indoor and outdoor areas.

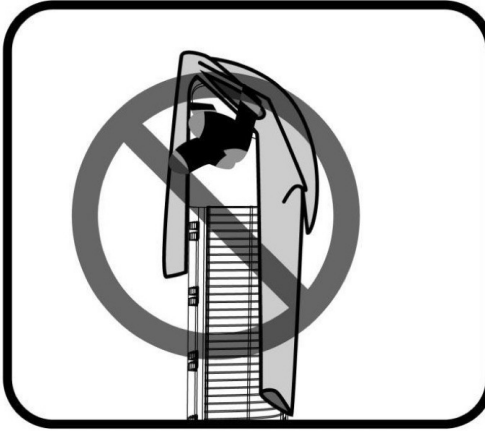
Installation

1. This heater should be installed by a competent person, i.e. a qualified electrician.
2. Always disconnected the heater from the electricity supply and allow it to cool before installation.
3. Keep the supply cord away from the body of the heater which will get hot during use.
4. If the heater is to be used outside, a weatherproof outlet is recommended.
5. Fasten the heater securely on the base plate using the screws supplied.

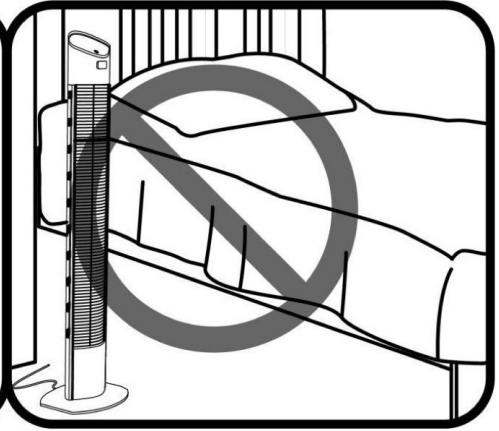


Warning

To reduce the risk of fire - 01

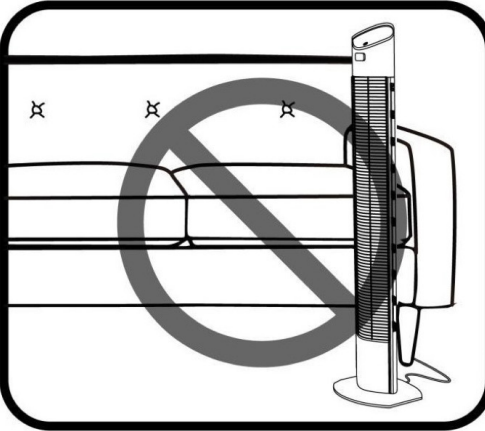


CAUTION: Do not cover any objects such as clothes on the heater.

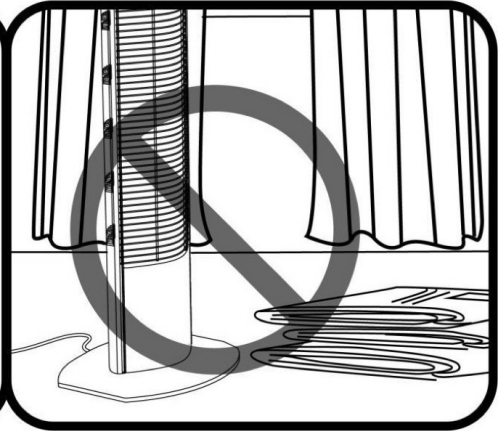


CAUTION: Do not place the heater near the bed.

EN

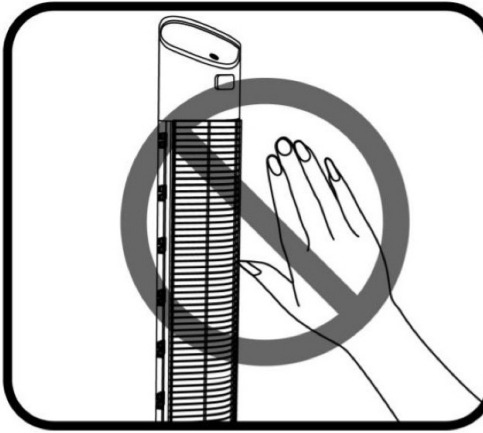


CAUTION: Keep furniture, papers, clothes, etc away from the sides and rear.

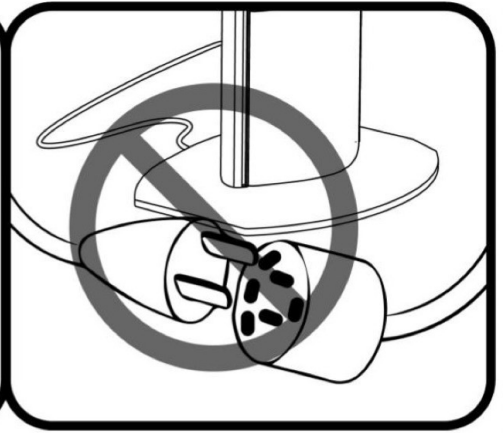


CAUTION: Keep combustible materials, such as furniture, pillows, curtains at least 3feet (0.9m) from the front of the heater and keep them away from the sides and rear.

To reduce the risk of fire - 02



CAUTION: Hot surface, do NOT touch.

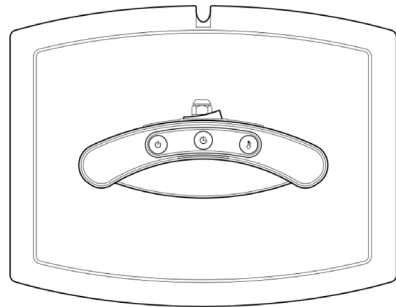


CAUTION: DO NOT use with an extension cord or relocatable power tap (outlet/power strip).

Operating

Product Key Function:

1. Turn on the power button, the product is in standby mode display [- -];
2. Press heating level button: select the heating level (L1-L2 standby - off)
3. Press timer button: To set the timer from 0H-24H, which is the number of hours it will run. 0H will display and then adjust to the number of hours you would like to set.



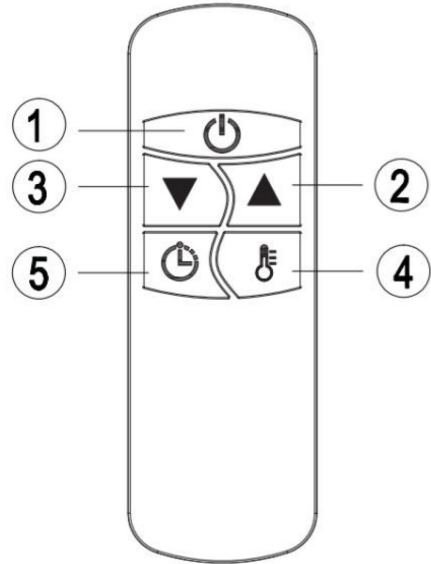
EN



Preparations before first use

1. **POWER BUTTON:** Turn the heater off.
2. **UP BUTTON:** Increase timer or power level.
3. **DOWN BUTTON:** Decrease timer or power level.
4. **LEVEL BUTTON:** Use to adjust the heat levels(L1-L2). Press the Level button then use the up and down buttons(buttons 2 and 3) to increase or decrease the heating level.
5. **TIMER BUTTON:** To set the timer from 0H-24H, which is the number of hours it will run. 0H will display and then adjust to the number of hours you would like to set, using the up and down buttons(2 and 3).

Noted: All heaters and their remote controls have the same frequency, so it is possible to control several heaters with just one remote.



Inserting Batteries (not included)

- Insert 2 AAA/ Alkaline type batteries into your remote control.
1. Flip the backside of your remote control and pull out battery cover. Insert the batteries in accordance with the instructions and polarity the batteries.
 2. Change the batteries in the same way depicted above.

NOTICE:

1. Replace the old batteries with the same type batteries. Otherwise, your heater may not function well.
2. Pull out the batteries in case of long terms of disuse to prevent leakage which may impair your remote control.
3. Do not allow water or liquid to get into the remote control.

CAUTION

When the appliance is not operated for a long period of time, cleaning or maintenance is conducted or when the location of the heater is changed, the heater should be turned to OFF and unplugged from the electrical connection.

Periodic inspection and removal of dirt and contaminants will ensure that equipment can be operated safely.

Troubleshooting

If the appliance does not function properly, please check the below table for the solution. If you are still unable to solve the problem, please contact the supplier/service provider.

1. Check if the power cord is plugged into an electrical outlet, if not, plug in.
2. Check if electricity to the main fuse is working
3. Error code shows on display

Problem	Possible cause	Solution
E1 Error on display	Control unit overheat.	Check installation clearances.

In case of any doubt, always contact your supplier!

Cleaning and maintenance

Maintenance

ATTENTION! Careful and regular maintenance of your heater considering our instructions assume great importance so as to attain a long efficient operation of your appliance.

1. Check the filthiness of the Reflector and IR-Filament at least once a month. If necessary, apply cleaning and maintenance instructions.
2. The number of checks may be increased considering the amount of the dust in the environment.

Cleaning

- Regular and careful cleaning helps your infrared heater operate efficiently for many trouble free years. To clean your heater follow steps below:
1. Unplug the power cord for your safety before cleaning your appliance.
 2. Make sure the heater is cool before continuing.
 3. To keep the heater clean, the outer shell maybe cleaned with a soft, damp cloth. You may use a mild detergent if necessary. After cleaning, dry the unit with a soft cloth. (CAUTION: DO NOT let liquids enter the heater).

3. Check the deformation of the Reflector, Wire and Frame visually while cleaning the appliance. In case of deformation, consult to your technical service.
4. Check the Power Cord and Plug visually while cleaning the appliance. In case of deformation, consult to your technical service.

4. DO NOT use alcohol, gasoline, abrasive powders, furniture polish or rough brushes to clean the heater. This may cause damage or deterioration to the surface of the heater.
 5. DO NOT immerse the heater in water
 6. Wait until the heater is completely dry before use.
- Storage: Store the heater in a cool, dry location when not in use to prevent dust and dirt build up. Use packaging carton to store.



ATTENTION

1. Always disconnect the heater from the electricity supply and allow it to cool before attempting to work on it.
2. If the heater has collected dust or dirt inside the unit or around the heating element, have to unit cleaned by a qualified service agent. Do not operate the heater in this condition.
3. The only maintenance required is cleaning of the external surfaces of the heater.
4. Do not touch the heating element with bare fingers, as residue from your hand could affect the life of the lamp. If it is accidentally touched, remove the finger marks with a soft cloth moistened with mentholated spirit or alcohol.
5. Do not attempt to repair or adjust any electrical or mechanical functions on this heater.
6. The heater contains no user serviceable parts. Should the product suffer damage or breakdown, it must be returned to the manufacturer or its service agent.
7. Damaged supply cords to be replaced by the manufacturer, service agent or similarly qualified person in order to avoid hazard.

Technical specification

Item no.: 272435

Operating voltage & frequency: 220-240V~ 50/60Hz

Rated power: 2000 W

Protection class: Class I

Waterproof protection class: IP44

Dimension: 174x69x(H)1058 mm

Net weight: approx. 6 kg

REMARK: Technical specification is subjected to change without prior notification.

Warranty

Any defect affecting the functionality of the appliance which becomes apparent within one year after purchase will be repaired by free repair or replacement provided the appliance has been used and maintained in accordance with the instructions and has not been abused or misused in any way. Your statutory rights are not affected. If the appliance is claimed under warranty, state where and

when it was purchased and include proof of purchase (e.g. receipt).

In line with our policy of continuous product development we reserve the right to change the product, packaging and documentation specifications without notice.

Discarding & Environment

When decommissioning the appliance, the product must not be disposed of with other household waste. Instead, it is your responsibility to dispose to your waste equipment by handing it over to a designated collection point. Failure to follow this rule may be penalized in accordance with applicable regulations on waste disposal. The separate collection and recycling of your waste equipment at the time of disposal will help conserve natural re-

sources and ensure that it is recycled in a manner that protects human health and the environment.

For more information about where you can drop off your waste for recycling, please contact your local waste collection company. The manufacturers and importers do not take responsibility for recycling, treatment and ecological disposal, either directly or through a public system.

Sehr geehrter Kunde,

Vielen Dank für den Kauf dieses Hendi Gerät. Lesen Sie dieses Handbuch sorgfältig und achten Sie besonders auf die unten aufgeführten Sicherheitsvorschriften, bevor Sie dieses Gerät zum ersten Mal installieren und verwenden.

Sicherheitsvorschriften

- Dieses Gerät ist nur für den gewerblichen Gebrauch bestimmt.
- Verwenden Sie das Gerät nur für den vorgesehenen Zweck, für den es entworfen wurde, wie in diesem Handbuch beschrieben.
- Der Hersteller haftet nicht für Schäden, die durch fehlerhafte Bedienung und unsachgemäße Verwendung verursacht werden.
- Halten Sie das Gerät und den elektrischen Stecker von Wasser und anderen Flüssigkeiten fern. Falls das Gerät in Wasser fällt, entfernen Sie sofort den Netzstecker von der Steckdose. Verwenden Sie das Gerät erst, wenn es von einem zertifizierten Techniker überprüft wurde. Die Nichtbefolgung dieser Anweisungen führt zu lebensbedrohlichen Risiken.
- Versuchen Sie niemals, das Gehäuse des Gerätes selbst zu öffnen.
- Legen Sie keine Objekte in das Gehäuse des Gerätes ein.
- Berühren Sie den Stecker nicht mit nassen oder feuchten Händen.
-  **GEFAHR EINES ELEKTRISCHEN SCHLAGS!** Versuchen Sie nicht, das Gerät selbst zu reparieren, Reparaturen sind nur von qualifiziertem Personal durchzuführen.
- **Verwenden Sie niemals ein beschädigtes Gerät!** Wenn es beschädigt ist, trennen Sie das Gerät von der Steckdose und wenden Sie sich an den Händler.
- **WARNUNG!** Tauchen Sie die elektrischen Teile des Geräts nicht in Wasser oder andere Flüssigkeiten ein.
- Halten Sie das Gerät niemals unter fließendes Wasser.
- Überprüfen Sie regelmäßig den Netzstecker und das Kabel auf Beschädigungen. Bei Beschädigung muss es durch einen Dienstleister oder eine ähnlich qualifizierte Person ersetzt werden, um Gefahren oder Verletzungen zu vermeiden.
- Stellen Sie sicher, dass das Kabel nicht mit scharfen oder heißen Gegenständen in Berührung kommt und halten Sie es von offenem Feuer fern. Ziehen Sie niemals das Netzkabel, um es von der Steckdose zu trennen, ziehen Sie stattdessen immer den Stecker.
- Stellen Sie sicher, dass das Netzkabel und/oder das Verlängerungskabel keine Auslösegefahr verursachen.
- Lassen Sie das Gerät während des Gebrauchs niemals unbeaufsichtigt.
- **WARNUNG!** Solange sich der Stecker in der Steckdose befindet, wird das Gerät an die Stromquelle angeschlossen.
- Schalten Sie das Gerät aus, bevor Sie sie vom Sockel trennen.
- Schließen Sie den Netzstecker an eine leicht zugängliche Steckdose an, so dass das Gerät im Notfall sofort abgenommen werden kann.

DE



- Tragen Sie das Gerät niemals am Kabel.
- Verwenden Sie keine zusätzlichen Geräte, die nicht zusammen mit dem Gerät geliefert werden.
- Schließen Sie das Gerät nur an eine Steckdose mit der Spannung und Frequenz an, die auf dem Etikett des Gerätes angegeben ist.
- Verwenden Sie niemals anderes Zubehör als das vom Hersteller empfohlene Zubehör. Andernfalls könnte ein Sicherheitsrisiko für den Benutzer darstellen und das Gerät beschädigen. Verwenden Sie nur Originalteile und Zubehör.
- Dieses Gerät sollte nicht von Personen mit eingeschränkter körperlicher, sensorischer oder geistiger Leistungsfähigkeit oder von Personen mit mangelnder Erfahrung und Kenntnisnahme betrieben werden.
- Dieses Gerät sollte unter keinen Umständen von Kindern verwendet werden.
- Bewahren Sie das Gerät und das Netzkabel außerhalb der Reichweite von Kindern auf.
- **ACHTUNG:** Schalten Sie das Gerät immer aus und ziehen Sie es vor der Reinigung, Wartung oder Lagerung von der Steckdose ab.

Besondere Sicherheitsvorschriften

- **SORGFÄLTIG LESEN**-Die Infrartheizung wurde für einen sicheren Betrieb entwickelt. Die Installation, die Wartung und der Betrieb der Heizung können dennoch gefährlich sein. Die Beachtung der folgenden Verfahren verringert die Gefahr von Bränden, Stromschlägen und Verletzungen und reduziert die Installationszeit auf ein Minimum. Bewahren Sie diese Anleitung für den späteren Gebrauch auf.
- Entnehmen Sie das Gerät aus der Verpackung und prüfen Sie vor dem Gebrauch, ob es sich in einem guten Zustand befindet.
- Lassen Sie Kinder nicht mit Teilen der Verpackung (z.B. Plastiktüten) spielen.
- Diese Heizung ist heiß, wenn sie in Betrieb ist. Zur Vermeidung von Verbrennungen sollten Sie darauf achten, dass Ihre nackte Haut keine heißen Oberflächen berührt. Nutzen Sie die Griffe für den Transport der Heizung, sofern diese vorhanden sind. Halten Sie brennbare Materialien wie Möbel, Kissen, Bettwäsche, Papiere, Kleidung und Vorhänge mindestens 0,9 m (3 Fuß) von der Vorderseite der Heizung entfernt und halten Sie sie von den Seiten und der Rückseite fern.
- Höchste Vorsicht ist geboten, wenn die Heizung in der Nähe von Kindern oder Behinderten verwendet wird.
- Benutzen Sie das Gerät nicht in der Nähe eines Bades oder Swimmingpools oder in unmittelbarer Nähe von Flüssigkeitsquellen.
- Führen Sie keine Fremdkörper in die Belüftungs- oder Abluftöffnungen ein, da dies zu einem elektrischen Schlag, einem Brand oder einer Beschädigung des Geräts führen kann.
- Trennen Sie die Heizung immer vom Stromnetz, wenn sie nicht benutzt wird.
- Schließen Sie das Gerät nur an ordnungsgemäß geerdete Steckdosen an.
- Schließen Sie Heizgeräte immer direkt an eine Steckdose an. Für den Gebrauch im Freien dürfen Sie das Gerät niemals mit einem Verlängerungskabel oder einer verlegbaren

Steckdose (Steckdosenleiste) verwenden.

- Lassen Sie das Kabel nicht über die Arbeitsplatte hinausragen, damit es von Kindern nicht leicht heruntergezogen werden kann.
- Stecken Sie während des Betriebs keine Finger oder Fremdkörper in den Grill.
- Lassen Sie das Gerät während des Betriebs nicht unbeaufsichtigt.
- Diese Heizung ist nicht für den Einsatz in Badezimmern, Waschküchen und ähnlichen Innenräumen gedacht. Stellen Sie die Heizung niemals an einem Ort auf, an dem sie in eine Badewanne oder einen anderen Wasserbehälter fallen könnte.
- Benutzen Sie die Heizung nicht, wenn das Kabel oder der Stecker beschädigt ist oder wenn die Heizung eine Fehlfunktion hat, fallen gelassen oder in irgendeiner Weise beschädigt wurde. Trennen Sie die Stromzufuhr am Schaltkasten und lassen Sie die Heizung von einem anerkannten Elektriker überprüfen, bevor Sie sie wieder verwenden. Sollte das Netzkabel in irgendeiner Weise beschädigt sein, muss es vom Hersteller oder dessen Kundendienst oder einer ähnlich qualifizierten Person ersetzt werden, um eine Gefährdung zu vermeiden.
- Verlegen Sie das Kabel nicht unter einem Teppich. Decken Sie das Kabel nicht mit Teppichen, Läufern oder ähnlichen Abdeckungen ab. Führen Sie das Kabel nicht unter Möbel oder Geräte. Verlegen Sie das Kabel abseits von stark frequentierten Bereichen und so, dass niemand darüber stolpern kann.
- Um eine Überhitzung des Geräts zu vermeiden, halten Sie die Luftein- und -auslässe sauber und frei von allem, was sie blockieren könnte. Kontrollieren Sie von Zeit zu Zeit alle Ein- und Auslassöffnungen, um sicherzustellen, dass sich kein Schmutz oder Staub angesammelt hat. NICHT ABDECKEN.
- In einem Heizgerät befinden sich heiße Teile, die Lichtbögen oder Funken erzeugen. Verwenden Sie das Gerät nicht in Bereichen, in denen Benzin, Farbe oder entflammbare Flüssigkeiten verwendet oder gelagert werden.
- Teile der Heizung können eine Temperatur von 200°C überschreiten. Der Kontakt mit dem Heizrohr, dem Reflektor oder Metallteilen in der Nähe des Heizrohrs kann zu schweren Verbrennungen führen. Zur Vermeidung von Verbrennungen sollten Sie darauf achten, dass Ihre nackte Haut keine heiße Oberfläche berührt.
- Halten Sie NIEMALS die Hände unter die Heizelemente. Lassen Sie das Heizelement IMMER für mindestens 10 Minuten abkühlen, bevor Sie das Heizungsrohr oder angrenzende Teile berühren.
- Dieses Produkt enthält recycelbare Materialien. Entsorgen Sie dieses Produkt nicht als unsortierten Hausmüll. Wenden Sie sich bitte an Ihre Stadtverwaltung, um die nächstgelegene Sammelstelle zu erfahren.



Verwendungszweck

- Das Gerät ist für den professionellen Einsatz geeignet.
- Das Gerät ist für das Heizen im Freien und unter strengen Auflagen im Innenbereich konzipiert. Die Verwendung des Gerätes für andere Zwecke kann zu seiner Beschädigung sowie zu Körperverletzungen führen.
- Jede andere Verwendung des Gerätes gilt als nicht bestimmungsgemäß. Der Benutzer ist allein verantwortlich für die unsachgemäße Nutzung des Gerätes.

Erdungsinstallation

Dieses Gerät ist als **Schutzklasse I** eingestuft und muss mit einer Schutzerde verbunden werden. Die Erdung reduziert das Risiko eines elektrischen Schlags, indem ein Fluchtkabel für den elektrischen Strom bereitgestellt wird. Dieses Gerät ist

mit einem Netzkabel mit einem Erdungskabel und einem geerdeten Stecker ausgestattet. Der Stecker muss in eine Steckdose gesteckt werden, die ordnungsgemäß installiert und geerdet ist.

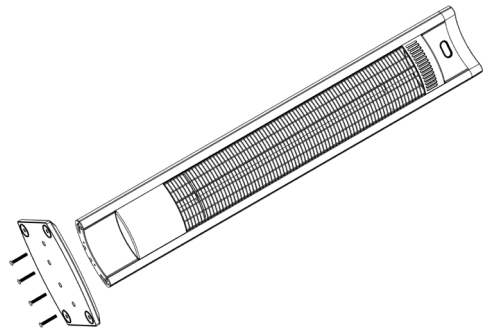
Einführung

Die HENDI TORNADO Carbon-Infrarotstrahler erzeugen sofortige und angenehme Wärme wie die Sonne. Diese robusten und wetterfesten Heizun-

gen sind für private und gewerbliche Heizanwendungen im Innen- und Außenbereich konzipiert.

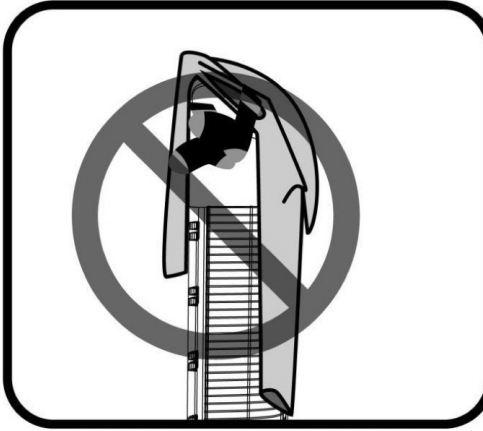
Installation

1. Diese Heizung sollte von einer kompetenten Person, d.h. einem qualifizierten Elektriker, installiert werden.
2. Trennen Sie die Heizung stets vom Stromnetz und lassen Sie sie vor der Installation abkühlen.
3. Halten Sie das Netzkabel vom Gehäuse der Heizung fern, das während des Gebrauchs heiß wird.
4. Soll die Heizung im Freien verwendet werden, wird eine wetterfeste Steckdose empfohlen.
5. Befestigen Sie die Heizung mit den mitgelieferten Schrauben sicher auf der Grundplatte.

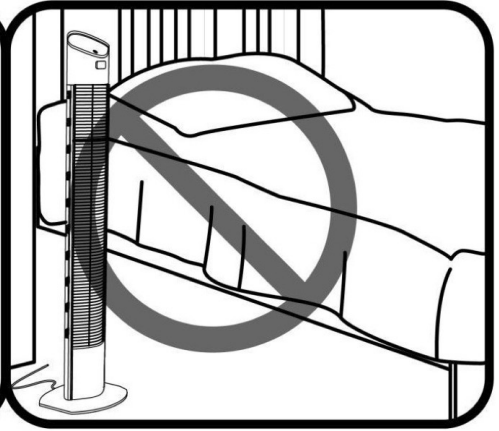


Warnung

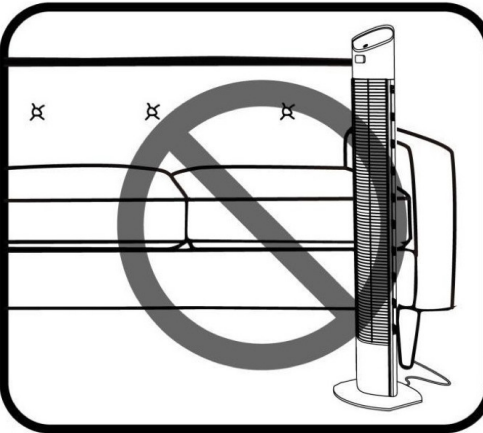
Zur Reduzierung des Brandrisikos - 01



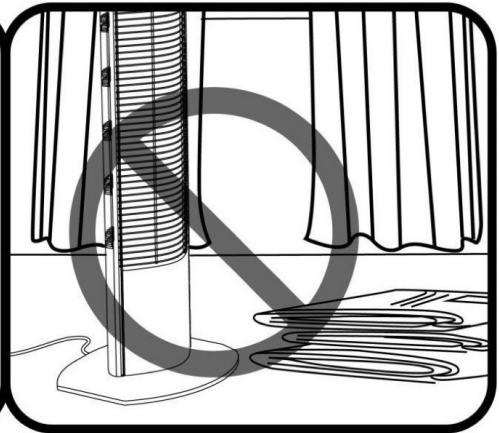
VORSICHT: Legen Sie keine Gegenstände wie Kleidung auf die Heizung.



VORSICHT: Stellen Sie die Heizung nicht in der Nähe des Bettes auf.



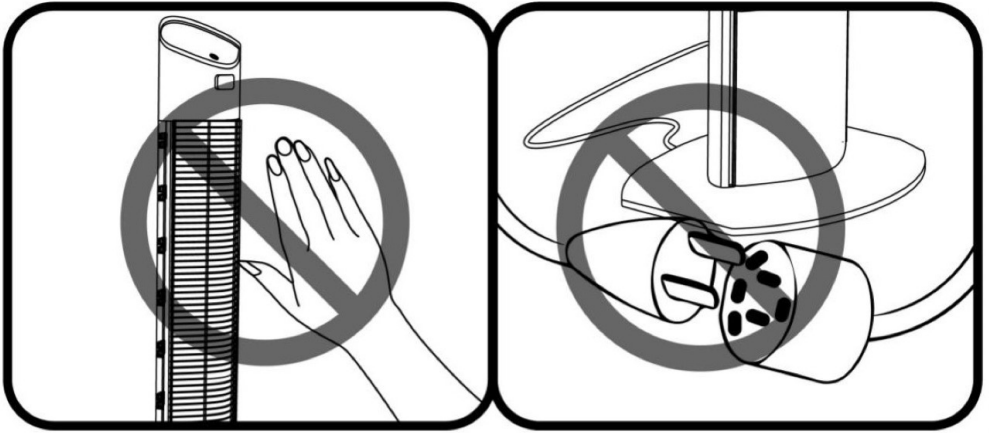
VORSICHT: Halten Sie Möbel, Papiere, Kleidung usw. von den Seiten und der Rückseite fern.



VORSICHT: Halten Sie brennbare Materialien wie Möbel, Kissen und Vorhänge mindestens 0,9 m (3 Fuß) von der Vorderseite des Ofens entfernt und halten Sie sie von den Seiten und der Rückseite fern.



Zur Reduzierung des Brandrisikos - 02



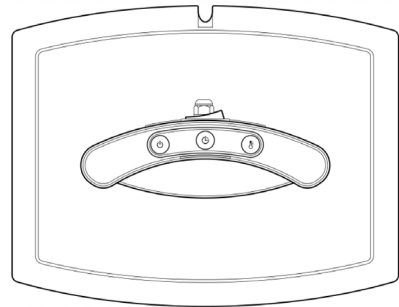
VORSICHT: Heiße Oberfläche, NICHT berühren.

VORSICHT: Verwenden Sie das Gerät NICHT mit einem Verlängerungskabel oder einer verlegbaren Steckdose (Steckdosenleiste).

Betrieb

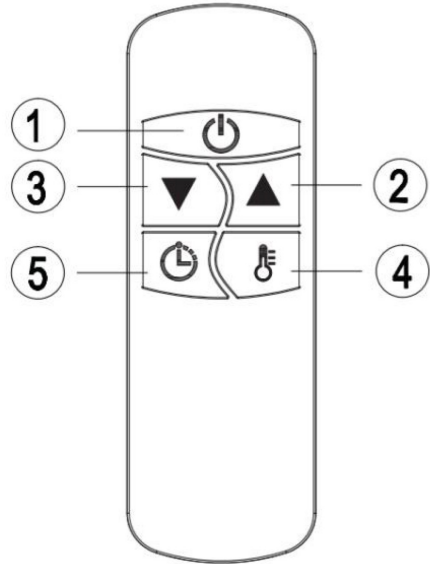
Produkt-Schlüsselfunktion:

1. Schalten Sie den Netzschalter ein, das Gerät befindet sich im Standby-Modus (- -);
2. Drücken Sie die Taste für die Heizstufe: wählen Sie die Heizstufe (L1-L2 Standby - Aus)
3. Drücken Sie die Timer-Taste: Zum Einstellen des Timers von 0H-24Std, d.h. wie viele Stunden das Gerät laufen soll. 0Std wird angezeigt und dann auf die gewünschte Anzahl der Stunden eingestellt.



Anleitung für die Fernbedienung

1. **EINSCHALT-TASTE:** Schalten Sie die Heizung aus.
2. **AUF-TASTE:** Erhöhen Sie den Timer oder die Leistungsstufe.
3. **AB-TASTE:** Verringern Sie den Timer oder die Leistungsstufe.
4. **STUFEN-TASTE:** Zum Einstellen der Heizstufen (L1-L2). Drücken Sie die Stufentaste und verwenden Sie dann die Auf- und Ab-Tasten (Tasten 2 und 3), um die Heizstufe zu erhöhen oder zu verringern.
5. **TIMER-TASTE:** Zum Einstellen des Timers von 0H-24Std, d.h. wie viele Stunden das Gerät laufen soll. Es wird 0Std. angezeigt. Stellen Sie dann mit den Auf- und Ab-Tasten (2 und 3) die Anzahl der Stunden ein, die Sie einstellen möchten.



Hinweis: Alle Heizgeräte und deren Fernbedienungen haben die gleiche Frequenz, so dass es möglich ist, mehrere Heizgeräte mit nur einer Fernbedienung zu steuern.

Einlegen der Batterien (nicht enthalten)

- Legen Sie 2 AAA/ Alkaline-Batterien in Ihre Fernbedienung ein.
1. Drehen Sie die Rückseite Ihrer Fernbedienung um und ziehen Sie die Batterieabdeckung heraus. Setzen Sie die Batterien entsprechend der Anleitung ein und achten Sie auf die richtige Polarität.
 2. Wechseln Sie die Batterien wie oben dargestellt.

HINWEIS:

1. Ersetzen Sie alte Batterien durch Batterien des gleichen Typs. Andernfalls kann es sein, dass Ihre Heizung nicht gut funktioniert.
2. Nehmen Sie die Batterien heraus, wenn Sie sie längere Zeit nicht benutzen, um zu verhindern, dass sie auslaufen, was Ihre Fernbedienung beeinträchtigen könnte.
3. Es darf kein Wasser oder Flüssigkeit in die Fernbedienung gelangen.

VORSICHT

Wird das Gerät über einen längeren Zeitraum nicht betrieben, wird es gereinigt oder gewartet oder wird der Standort der Heizung geändert, so sollte die Heizung ausgeschaltet und der Stecker aus der Steckdose gezogen werden.

Eine regelmäßige Inspektion und die Entfernung von Schmutz und Verunreinigungen sorgen dafür, dass die Geräte sicher betrieben werden können.



Suchen nach Problemlösungen

Wenn das Gerät nicht richtig funktioniert, muss man sich zum Finden der richtigen Lösung mit der nachfolgenden Tabelle vertraut machen. Wenn Sie das Problem nicht lösen können, dann setzen Sie sich bitte mit dem Lieferanten in Verbindung.

1. Prüfen Sie, ob das Netzkabel an eine Steckdose angeschlossen ist, falls nicht, schließen Sie es an.
2. Prüfen Sie, ob die Stromzufuhr zur Hauptsicherung funktioniert.
3. Ein Fehlercode wird auf dem Display angezeigt.

Problem	Mögliche Ursache	Lösung
E1 Fehler auf dem Display	Das Steuergerät ist überhitzt.	Prüfen Sie die Installationsabstände.

Sollten Sie Zweifel haben, setzen Sie sich mit dem Lieferanten in Verbindung!

Reinigung und Wartung

Wartung

ACHTUNG! Eine sorgfältige und regelmäßige Wartung Ihrer Heizung unter Beachtung unserer Hinweise ist von großer Bedeutung, um einen langen und effizienten Betrieb Ihres Geräts zu gewährleisten.

1. Prüfen Sie den Reflektor und den IR-Faden mindestens einmal pro Monat auf Verschmutzung. Wenden Sie bei Bedarf die Reinigungs- und Wartungsanweisungen an.
2. Die Anzahl der Prüfungen kann unter Berücksichtigung der Staubmenge in der Umgebung erhöht werden.

sichtigung der Staubmenge in der Umgebung erhöht werden.

3. Prüfen Sie auf Verformung des Reflektors, des Drahtes und des Rahmens visuell, während Sie das Gerät reinigen. Wenden Sie sich im Falle einer Verformung an Ihren technischen Dienst.
4. Führen Sie eine visuelle Prüfung des Netzkabels und des Steckers durch, während Sie das Gerät reinigen. Wenden Sie sich im Falle einer Verformung an Ihren technischen Dienst.

Reinigung

• Eine regelmäßige und sorgfältige Reinigung sorgt dafür, dass Ihre Infrarotheizung viele Jahre lang störungsfrei und effizient arbeitet. Führen Sie die folgenden Schritte aus, um Ihr Heizgerät zu reinigen:

1. Ziehen Sie zu Ihrer Sicherheit den Netzstecker, bevor Sie Ihr Gerät reinigen.
2. Achten Sie darauf, dass die Heizung abgekühlt ist, bevor Sie fortfahren.
3. Um den Ofen sauber zu halten, können Sie das Gehäuse mit einem weichen, feuchten Tuch reinigen. Sie können bei Bedarf ein mildes Reinigungsmittel verwenden. Trocknen Sie das Gerät nach der Reinigung mit einem weichen Tuch ab. (VORSICHT: Lassen Sie KEINE Flüssigkeiten in die Heizung eindringen).

4. Verwenden Sie KEINEN Alkohol, kein Benzin, kein Scheuerpulver, keine Möbelpolitur und keine groben Bürsten, um die Heizung zu reinigen. Dies kann zu Beschädigungen oder einer Verschlechterung der Oberfläche der Heizung führen.

5. Tauchen Sie die Heizung NICHT in Wasser
6. Warten Sie, bis die Heizung vollständig trocken ist, bevor Sie sie benutzen.

Lagerung: Bewahren Sie die Heizung an einem kühlen, trockenen Ort auf, wenn sie nicht in Gebrauch ist, um Staub- und Schmutzablagerungen zu vermeiden. Verwenden Sie zur Aufbewahrung den Verpackungskarton.

ACHTUNG

1. Trennen Sie die Heizung immer vom Stromnetz und lassen Sie sie abkühlen, bevor Sie an ihr arbeiten.
2. Falls sich im Inneren des Geräts oder um das Heizelement herum Staub oder Schmutz angesammelt hat, lassen Sie das Gerät von einem qualifizierten Servicetechniker reinigen. Verwenden Sie die Heizung nicht in diesem Zustand.
3. Die einzige Wartung, die erforderlich ist, ist die Reinigung der Außenflächen der Heizung.
4. Berühren Sie das Heizelement nicht mit bloßen Fingern, da Rückstände von Ihrer Hand die Lebensdauer der Lampe beeinträchtigen könnten. Falls es versehentlich berührt wurde, entfernen Sie die Fingerabdrücke mit einem weichen, mit Spiritus oder Alkohol angefeuchteten Tuch.
5. Unterlassen Sie es, elektrische oder mechanische Funktionen des Heizgerätes zu reparieren oder einzustellen.
6. Das Heizgerät enthält keine vom Benutzer zu reparierenden Teile. Sollte das Produkt beschädigt werden oder ausfallen, müssen Sie es an den Hersteller oder seinen Kundendienst zurücksenden.
7. Beschädigte Netzkabel müssen durch den Hersteller, den Kundendienst oder eine ähnlich qualifizierte Person ersetzt werden, um Gefahren zu vermeiden.

Technische Spezifikation

Bestellnummer: 272435

Spannung der Stromversorgung: 220-240V~ 50/60Hz

Leistungsaufnahme: 2000 W

Schutzklasse: Klasse I

Wasserbeständigkeitsklasse: IP44

Abmessungen: 174x69x(H)1058 mm

Nettogewicht : ca. 6 kg

HINWEIS: Die technische Spezifikation kann ohne Vorankündigung verändert werden.

Garantie

Alle innerhalb von einem Jahr nach dem Kaufdatum festgestellten Defekte oder Mängel, die die Funktionalität des Gerätes beeinträchtigen, werden auf dem Wege der unentgeltlichen Reparatur bzw. des Austausches unter der Voraussetzung beseitigt, dass das Gerät in einer der Bedienungsanleitung gemäßen Art und Weise betrieben und gewartet wird und weder vorsätzlich vernichtet noch nicht bestimmungsgemäß genutzt wurde. Ihre Rechte aus den entsprechenden Gesetzen bleiben davon

unberührt. Eine in der Garantiefrist einzureichende Beanstandung hat die Angabe des Kaufortes und Kaufdatums und in der Anlage einen Kaufbeleg (z.B. Kassenzettel) zu enthalten.

Gemäß unserer Politik der ständigen Weiterentwicklung unserer Produkte behalten wir uns vor, Änderungen am Produkt, an seiner Verpackung und an den dokumentierten technischen Daten ohne vorherige Ankündigung vorzunehmen.

Entsorgung und Umweltschutz

Wird das Gerät außer Betrieb genommen, darf es nicht über den Hausmüll entsorgt werden. Der Benutzer ist für die Übergabe des Gerätes an eine geeignete Sammelstelle für Altgeräte verantwortlich. Die Nichteinhaltung dieser Regel kann gemäß den geltenden Vorschriften über die Abfallentsorgung bestraft werden. Die getrennte Sammlung und das Recycling der Altgeräte trägt zur Schonung der natürlichen Ressourcen bei und sorgt für eine

umwelt- und gesundheitsschonende Verwertungsweise.


Weitere Informationen darüber, wo Sie Ihre Altgeräte entsorgen können, erhalten Sie bei Ihrem örtlichen Entsorgungsunternehmen. Der Hersteller und der Importeur übernehmen keine Verantwortung für das Recycling sowie die umweltfreundliche Verwertung von Abfällen, weder direkt noch über ein öffentliches System.



Geachte klant,

Bedankt voor de aanschaf van dit Hendi apparaat. Lees deze handleiding zorgvuldig door, met bijzondere aandacht voor de onderstaande veiligheidsvoorschriften, voordat u dit apparaat voor de eerste keer installeert en gebruikt.

Veiligheidsvoorschriften

- Dit apparaat is enkel bedoeld voor commercieel gebruik.
- Gebruik het apparaat alleen voor het beoogde doel waarvoor het is ontworpen, zoals beschreven in deze handleiding.
- De fabrikant is niet aansprakelijk voor enige schade veroorzaakt door onjuist gebruik en onjuist gebruik.
- Houd het apparaat en de stekker uit de buurt van water en andere vloeistoffen. Als het apparaat in water valt, haal dan onmiddellijk de stekker uit het stopcontact. Gebruik het apparaat niet totdat het is gecontroleerd door een gecertificeerde technicus. Het niet volgen van deze instructies zal levensbedreigende risico's veroorzaken.
- Probeer nooit de behuizing van het apparaat zelf te openen.
- Plaats geen objecten in de behuizing van het apparaat.
- Raak de stekker niet aan met natte of vochtige handen.
-  **GEVAAR VOOR EEN ELEKTRISCHE SCHOK!** Probeer het apparaat niet zelf te repareren, reparaties mogen alleen worden uitgevoerd door gekwalificeerd personeel.
- **Gebruik nooit een beschadigd apparaat!** Wanneer het apparaat beschadigd is, koppelt u het apparaat los van het stopcontact en neemt u contact op met de detailhandelaar.
- **WAARSCHUWING!** Dompel de elektrische onderdelen van het apparaat niet onder in water of andere vloeistoffen.
- Houd het apparaat nooit onder stromend water.
- Controleer regelmatig de stekker en het snoer op eventuele schade. Bij beschadiging moet het worden vervangen door een serviceagent of een gelijkwaardig gekwalificeerd persoon om gevaar of letsel te voorkomen.
- Zorg ervoor dat het snoer niet in contact komt met scherpe of hete voorwerpen en houd het uit de buurt van open vuur. Trek nooit aan het netsnoer om het uit het stopcontact te halen, trek altijd aan de stekker.
- Zorg ervoor dat het netsnoer en/of het verlengsnoer geen struikelgevaar veroorzaken.
- Laat het apparaat nooit onbeheerd achter tijdens het gebruik.
- **WAARSCHUWING!** Zolang de stekker in het stopcontact zit, is het apparaat aangesloten op de stroombron.
- Schakel het toestel uit voordat u het uit het stopcontact haalt.
- Sluit de stekker aan op een gemakkelijk toegankelijk stopcontact, zodat het apparaat in geval van nood onmiddellijk kan worden losgekoppeld.
- Draag het apparaat nooit bij het snoer.
- Gebruik geen extra apparaten die niet samen met het apparaat worden geleverd.
- Sluit het apparaat alleen aan op een stopcontact met de spanning en frequentie vermeld op

het etiket van het apparaat.

- Gebruik nooit andere accessoires dan die welke door de fabrikant worden aanbevolen. Als u dit niet doet, kan dit een veiligheidsrisico vormen voor de gebruiker en kan het apparaat beschadigen. Gebruik alleen originele onderdelen en accessoires.
- Dit apparaat mag niet worden gebruikt door personen met verminderde fysieke, zintuiglijke of mentale vermogens, of personen met een gebrek aan ervaring en kennis.
- Dit apparaat mag in geen geval door kinderen worden gebruikt.
- Houd het apparaat en het netsnoer buiten het bereik van kinderen.
- **WAARSCHUWING:** schakel het apparaat **ALTIJD** uit en haal de stekker uit het stopcontact voor reiniging, onderhoud of opslag.

Bijzondere veiligheidsvoorschriften

- LEES ZORGVULDIG-De infraroodverwarming is ontworpen voor veilig gebruik. Installatie, onderhoud en bediening van de verwarming kan echter toch gevaarlijk zijn. Door de volgende procedures in acht te nemen, wordt het risico op brand, elektrische schokken en persoonlijk letsel verkleind en de installatietijd tot een minimum beperkt. Bewaar deze instructies voor toekomstig gebruik.
- Haal het apparaat uit de verpakking en controleer vóór gebruik of deze in goede staat verkeert.
- Laat kinderen niet met delen van de verpakking spelen (zoals plastic zakken).
- Deze verwarming is heet tijdens gebruik. Raak hete oppervlakken niet aan met de blote huid om brandwonden te voorkomen. Gebruik handgrepen om deze verwarming te verplaatsen, indien aanwezig. Houd brandbare materialen, zoals meubels, kussens, beddengoed, papier, kleding en gordijnen minstens 0,9 m (3 voet) uit de buurt van de voorzijde van de verwarming en houd ze uit de buurt van de zijkanten en achterkant.
- Wees uiterst voorzichtig wanneer de verwarming wordt gebruikt in de buurt van kinderen of mindervaliden.
- Gebruik het niet in de onmiddellijke nabijheid van een badkuip, zwembad of andere vloeistofbronnen.
- Steek of laat geen vreemde voorwerpen in de ventilatie- of uitlaatopeningen terecht komen, omdat dit een elektrische schok, brand of schade aan de verwarming kan veroorzaken.
- Trek altijd de stekker uit het stopcontact wanneer de verwarming niet wordt gebruikt.
- Sluit alleen aan op goed geaarde stopcontacten.
- Sluit verwarmingen altijd rechtstreeks aan op een stopcontact. Gebruik het apparaat buitenshuis nooit met een verlengsnoer of verplaatsbare stroombron (stopcontact/stekkerdoos).
- Laat het snoer niet over het aanrechtblad hangen waar kinderen er gemakkelijk aan kunnen trekken.
- Steek tijdens gebruik geen vingers of vreemde voorwerpen in het rooster.
- Laat het apparaat nooit onbeheerd achter wanneer in gebruik.



- Deze verwarming is niet bestemd voor gebruik in badkamers, wasruimtes en soortgelijke locaties binnenshuis. Plaats de verwarming nooit op een plek waar deze in een badkuip of een andere watercontainer kan vallen.
- Gebruik geen verwarming met een beschadigd snoer of stekker of nadat de verwarming defect is geraakt, is gevallen of op enigerlei wijze is beschadigd. Koppel de stroom los bij het servicepaneel en laat de verwarming nakijken door een bevoegde elektricien voordat u deze weer gebruikt. Als de voedingskabel op enigerlei wijze beschadigd is geraakt, moet deze worden vervangen door de fabrikant, servicevertegenwoordiging van de fabrikant of een dergelijk gekwalificeerd persoon om gevaarlijke situaties te voorkomen.
- Leg het snoer niet onder tapijt. Bedek het snoer niet met vloerkleden, lopers of soortgelijke afdekkingen. Leg het snoer niet onder meubilair of apparaten. Leg het snoer uit de buurt van plekken met voetverkeer en waar niemand er over kan struikelen.
- Om oververhitting van dit apparaat te voorkomen, houdt u de luchtinlaten en -uitlaten schoon en vrij van alles wat verstopping kan veroorzaken. Controleer de in- en uitlaten af en toe om ervoor te zorgen dat deze vrij zijn van vuil of opgehoopt stof. NIET AFDEKKEN.
- Een verwarming heeft interne hete en vonkvormende of vonkende onderdelen. Gebruik het niet op plaatsen waar benzine, verf of ontvlambare vloeistoffen worden gebruikt of opgeslagen zijn.
- Delen van de verwarming kunnen heter worden dan 200°C, contact met de verwarmingsbuis, reflector of metalen onderdelen in de buurt van de verwarmingsbuis kunnen ernstige BRANDWONDEN veroorzaken. Raak hete oppervlakken niet aan met de blote huid om brandwonden te voorkomen.
- Houd handen NOOIT onder de verwarmingselementen. Laat het verwarmingselement ALTIJD minstens 10 minuten afkoelen voordat u de verwarmingsbuis of aangrenzende onderdelen aanraakt.
- Dit product bevat recyclebare materialen. Dank dit product niet af als ongescheiden huishoudelijk afval. Neem contact op met uw gemeente voor informatie over het dichtstbijzijnde inzamelpunt.

Bedoeld gebruik

- Het apparaat is bestemd voor professioneel gebruik.
- The appliance is designed for heating outside and under strict regulations inside. Elk ander gebruik kan leiden tot schade aan het apparaat of lichamelijk letsel.
- Gebruik van het apparaat voor andere doeleinden wordt beschouwd als verkeerd gebruik van het apparaat. De gebruiker is volledig aansprakelijk voor alle risico's die voortvloeien uit verkeerd gebruik van het apparaat.

Aarding installatie

Dit apparaat is geclassificeerd als **beschermingsklasse I** en moet op een beschermende grond worden aangesloten. Aarding vermindert het risico op elektrische schokken door een ontsnappingsdraad voor de elektrische stroom aan te bieden. Dit ap-

paraat is uitgerust met een netsnoer met een aardingsdraad en geaarde stekker. De stekker moet worden aangesloten op een stopcontact dat correct is geïnstalleerd en geaard.

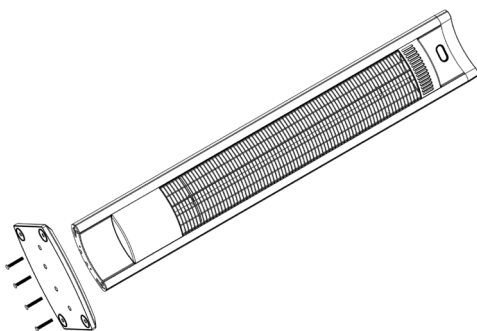
Inleiding

De HENDI TORNADO carbon infraroodverwarmingen produceren onmiddellijke en comfortabele warmte zoals de zon dat doet. Deze robuuste en

weerbestendige verwarmingen zijn ontworpen voor huishoudelijke en commerciële verwarmingstoepassingen binnenshuis en buitenshuis.

Installatie

1. Deze verwarming moet worden geïnstalleerd door een ervaren persoon, d.w.z. een gekwalificeerde elektricien.
2. Koppel de verwarming altijd los van de voeding en laat hem afkoelen voordat u deze installeert.
3. Houd de voedingskabel uit de buurt van de behuizing van de verwarming, omdat deze tijdens gebruik heet zal worden.
4. Als de verwarming buiten wordt gebruikt, wordt een weerbestendig stopcontact aanbevolen.
5. Zet de verwarming vast op de basisplaat met de meegeleverde schroeven.



NL

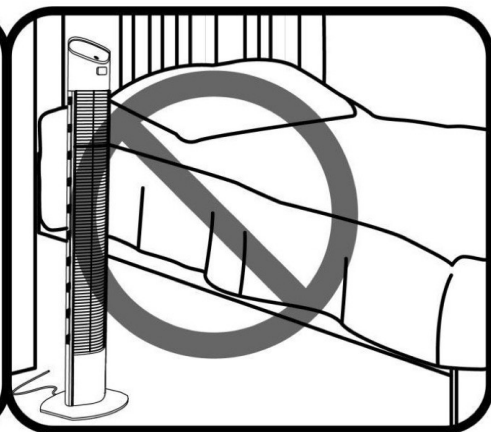


Waarschuwing

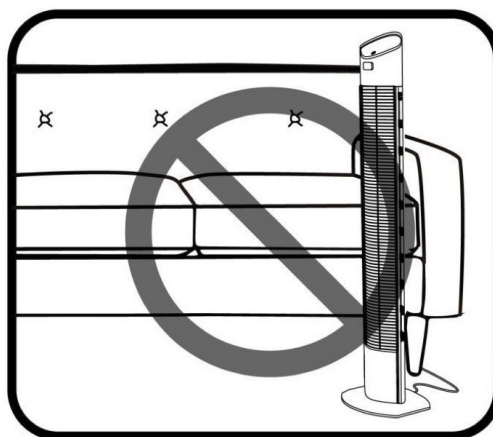
Om het risico op brand te voorkomen - 01



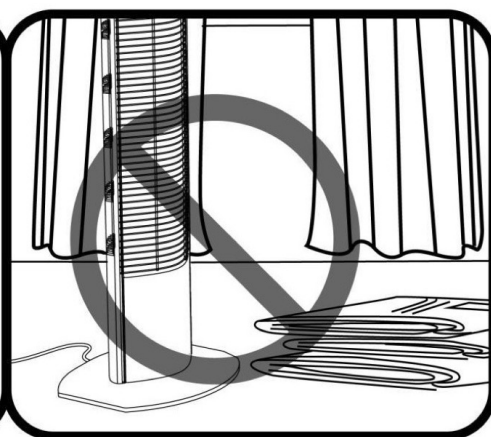
OPGELET: Niet afdekken door bijvoorbeeld kleding op de verwarming te leggen.



OPGELET: Plaats de verwarming niet in de buurt van een bed.

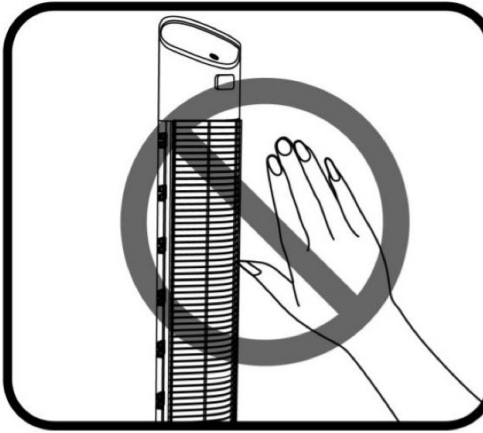


OPGELET: Houd meubilair, papier, kleding, enz. uit de buurt van de zijkanten en achterkant.

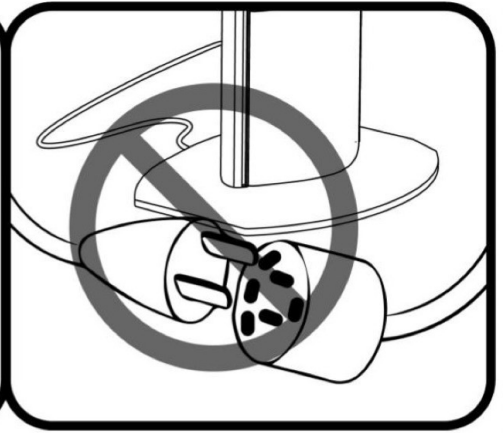


OPGELET: Houd brandbare materialen, zoals meubels, kussens en gordijnen minstens 0,9m (3 voet) uit de buurt van de voorzijde van de verwarming en houd ze uit de buurt van de zijkanten en achterkant.

Om het risico op brand te voorkomen - 02



OPGELET: Heet oppervlak, NIET aanraken.

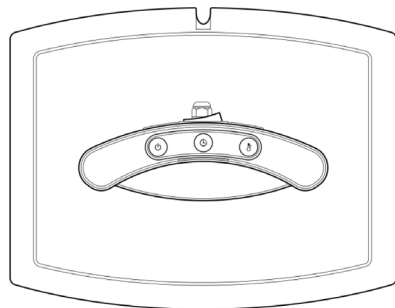


OPGELET: Gebruik het apparaat NIET met een verlengsnoer of verplaatsbare stroombron (stopcontact/stekkerdoos).

Bediening

Toetsfuncties op het product:

1. Druk op de aan-/uittoets en het product schakelt op de stand-by-modus (- -);
2. Druk op de verwarmingsniveautoets om het verwarmingsniveau te selecteren (L1-L2-stand-by-uit)
3. Druk op de timertoets: Gebruik de timer om het apparaat tussen 0u-24u te laten werken. De display zal 0H weergeven en u kunt vervolgens het gewenste aantal uren instellen.



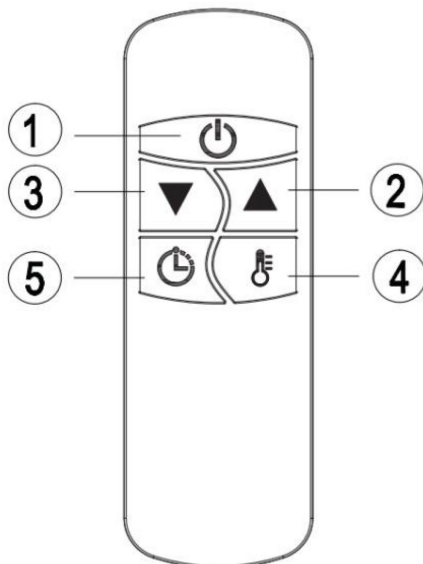
NL



Instructies voor de afstandsbediening

1. **AAN-/UITTOETS:** De verwarming uitschakelen.
2. **OMHOOGTOETS:** De timer of het verwarmingsniveau verhogen.
3. **OMLAAGTOETS:** De timer of het verwarmingsniveau verlagen.
4. **NIVEAUTOETS:** Gebruikt om het verwarmingsniveau aan te passen (L1-L2). Druk op de Niveau-toets en vervolgens op de omhoog- of omlaagtoets (toetsen 2 en 3) om het verwarmingsniveau te verhogen of verlagen.
5. **TIMERTOETS:** Gebruik de timer om het apparaat tussen 0u-24u te laten werken. De display zal 0H weergeven en u kunt vervolgens het gewenste aantal uren instellen door de omhoog- en omlaagtoets (2 en 3) te gebruiken.

Opmerking: Alle verwarmingen en hun afstandsbedieningen hebben dezelfde frequentie, het is dus mogelijk om meerdere verwarmingen te bedienen met slechts één afstandsbediening.



Batterijen installeren (niet inbegrepen)

- Installeer 2 AAA-/Alkalinebatterijen in uw afstandsbediening.
1. Draai uw afstandsbediening om en trek het batterijklepje eruit. Installeer de batterijen volgens hun instructies en de juiste polariteit.
 2. Vervang de batterijen op dezelfde wijze als hierboven beschreven.

OPMERKING:

1. Vervang uitgeputte batterijen door batterijen van hetzelfde type. Uw verwarming zal anders mogelijk niet goed werken.
2. Verwijder de batterijen wanneer voor langere tijd niet gebruikt om lekkage en beschadiging aan uw afstandsbediening te voorkomen.
3. Laat geen water of andere vloeistoffen in de afstandsbediening terechtkomen.

OPGELET

Wanneer het apparaat voor langere tijd niet wordt gebruikt, moet worden schoongemaakt of onderhouden of wanneer de locatie van de verwarming wordt gewijzigd, moet de verwarming worden uitgeschakeld en de stekker uit het stopcontact wor-

den getrokken.

Periodieke inspectie en verwijdering van vuil en verontreinigingen zorgen ervoor dat het apparaat veilig kan worden gebruikt.

Probleemoplossing

Als het apparaat niet naar behoren werkt, kijk dan in de onderstaande tabel voor een oplossing. Als u het probleem niet zelf kunt oplossen, neem dan contact op met de leverancier/dienstverlener.

1. Controleer of de voedingskabel is aangesloten op een stopcontact, zo niet, steek de stekker in het stopcontact.
2. Controleer of de elektriciteit naar de hoofdzekring werkt.
3. Foutcode worden weergegeven op de display.

Probleem	Mogelijke oorzaak	Oplossing
Fout E1 op de display	Besturingseenheid oververhit.	Controleer de spelingen voor de installatie.

Neem in geval van twijfel altijd contact op met uw leverancier!

Reiniging en onderhoud

Onderhoud

OPGELET! Zorgvuldig en regelmatig onderhoud van uw verwarming volgens onze instructies, is van groot belang om een lange efficiënte werking van uw apparaat te garanderen.

1. Controleer minstens eens per maand of de reflector en IR-gloeidraad goed werken. Volg indien nodig de reiniging- en onderhoudsinstructies.
2. U kunt het apparaat ook vaker inspecteren, af-

hankelijk van de hoeveelheid stof in de omgeving.

3. Voer tijdens het reinigen een visuele controle uit van de vervorming van de reflector, de draad en het frame. Raadpleeg uw technische dienst in het geval van vervorming.
4. Voer tijdens het reinigen een visuele controle uit van de voedingskabel en stekker. Raadpleeg uw technische dienst in het geval van vervorming.

Reiniging

• Regelmatige en zorgvuldige reiniging helpt uw infraroodverwarming jarenlang probleemloos te werken. Ga als volgt te werk om uw verwarming te reinigen:

1. Koppel om veiligheidsredenen altijd de voedingskabel los voordat u het apparaat schoonmaakt.
2. Zorg ervoor dat de verwarming is afgekoeld voordat u verder gaat.
3. Maak de buitenzijden schoon met een zachte, vochtige doek. U kunt indien nodig een mild schoonmaakmiddel gebruiken. Maak het apparaat na het schoonmaken droog met een zachte doek. [OPGELET: Laat GEEN vloeistoffen in de verwarming terechtkomen].

4. Gebruik GEEN alcohol, benzine, schuurmiddelen, meubelpoets of ruwe borstels om de verwarming schoon te maken. Het oppervlak van de verwarming kan anders beschadigd raken of verslechteren.
5. Dompel de verwarming NIET in water
6. Wacht totdat de verwarming volledig droog is voordat u deze weer gebruikt.

Opslag: Berg de verwarming op een koele, droge plek op wanneer u deze niet gebruikt, om ophoping van stof en vuil te voorkomen. Gebruik verpakingskarton om op te bergen.



OPGELET

1. Koppel de verwarming altijd los van de voeding en laat hem afkoelen voordat u eraan probeert te werken.
2. Als er in de verwarming of rond het verwarmingselement stof of vuil is opgehoopt, moet het apparaat worden schoongemaakt door een gekwalificeerde onderhoudsmonteur. Gebruik de verwarming in dit geval niet.
3. Het enige vereiste onderhoud, is het reinigen van de externe oppervlakken van de verwarming.
4. Raak het verwarmingselement niet met blote vingers aan, omdat restjes van uw hand de levensduur van de lamp kunnen aantasten. Indien per ongeluk aangeraakt, verwijdert u de vingerafdrukken met een zachte doek en een beetje spiritus of alcohol.
5. Probeer geen elektrische of mechanische functies van deze verwarming te repareren of aan te passen.
6. De verwarming bevat geen onderdelen die de gebruiker zelf kan repareren. Mocht het product beschadigd of defect raken, dan moet deze worden teruggestuurd naar de fabrikant of servicevertegenwoordiging van de fabrikant.
7. Beschadigde voedingskabels moeten worden vervangen door de fabrikant, servicevertegenwoordiging van de fabrikant of een dergelijk gekwalificeerd persoon om gevaarlijke situaties te voorkomen.

Technische specificaties

Itemnr.: 272435

Voedingsspanning: 220-240V~ 50/60Hz

Stroomverbruik: 2000 W

Beschermingsklasse: Klasse I

Waterbeschermingsklasse: IP44

Afmetingen: 174x69x(H)1058 mm

Nettogewicht : ca. 6 kg

NL

OPMERKING: Technische specificaties onderhevig aan verandering zonder voorafgaande kennisgeving.

Garantie

Elk defect waardoor de werking van het apparaat nadelig wordt beïnvloed dat zich binnen één jaar na aankoop van het apparaat voordoet, wordt gratis hersteld door reparatie of vervanging, mits het apparaat conform de instructies is gebruikt en onderhouden en niet op enigertel wijze verkeerd is behandeld of misbruikt. Dit laat onverlet uw bij wet bepaalde rechten. Als de garantie van kracht is, vermeld dan waar en wanneer u het apparaat

hebt gekocht en sluit een aankoopbewijs bij (bijv. kassabon of factuur).

Gezien ons streven naar voortdurende verdere productontwikkeling behouden wij ons het recht voor, zonder voorafgaande kennisgeving wijzigingen aan te brengen aan product, verpakking en documentatie.

Verwijdering & milieu

Bij de buitengebruikstelling van het apparaat, mag het niet met het overige huisafval worden verwijderd. In plaats daarvan is het uw verantwoordelijkheid om uw afgedankte apparatuur in te leveren bij een daartoe aangewezen inzamelpunt. Het niet opvolgen van deze regel kan worden bestraft in overeenstemming met de geldende voorschriften voor afvalverwerking. De gescheiden inzameling en recycling van uw afgedankte apparatuur ten tijde van buitengebruikstelling helpt bij de instandhouding van natuurlijke hulpbronnen en waarborgt dat de

apparatuur wordt gerecycled op een manier die de volksgezondheid en het milieu beschermt.

Voor meer informatie over waar u uw afval kunt inleveren voor recycling kunt u contact opnemen met uw lokale afvalverwerkingsbedrijf. De fabrikant en importeurs nemen geen verantwoordelijkheid voor de recycling, behandeling en ecologische verwijdering, hetzij rechtstreeks of via een openbaar systeem.



Drogi Kliencie,

Dziękujemy za zakup tego urządzenia Hendi. Przeczytaj uważnie tę instrukcję, zwracając szczególną uwagę na przepisy bezpieczeństwa przedstawione poniżej, przed zainstalowaniem i użytkowaniem tego urządzenia po raz pierwszy.

Przepisy bezpieczeństwa

- Niniejsze urządzenie przeznaczone jest wyłącznie do użytku komercyjnego.
- Urządzenie należy używać wyłącznie zgodnie z przeznaczeniem, do którego zostało zaprojektowane zgodnie z opisem w niniejszej instrukcji.
- Producent nie ponosi odpowiedzialności za jakiegokolwiek szkody spowodowane nieprawidłowym działaniem i niewłaściwym użyciem.
- Przechowywać urządzenie i wtyczkę elektryczną z dala od wody i innych płynów. W przypadku, gdy urządzenie wpadnie do wody, natychmiast wyjmij wtyczkę zasilającą z gniazda. Nie używać urządzenia, dopóki nie zostanie sprawdzone przez certyfikowanego technika. Nieprzestrzeganie tych instrukcji spowoduje zagrożenie dla życia.
- Nigdy nie próbuj samodzielnie otwierać obudowy urządzenia.
- Nie wkładaj przedmiotów do obudowy urządzenia.
- Nie dotykać wtyczki mokrymi lub wilgotnymi dłońmi.
- ⚠ **NIEBEZPIECZEŃSTWO PORAŻENIA PRĄDEM!** Nie próbuj samodzielnie naprawiać urządzenia, naprawy mogą być wykonywane wyłącznie przez wykwalifikowany personel..
- **Nigdy nie używaj uszkodzonego urządzenia!** Po uszkodzeniu odłącz urządzenie od gniazda i skontaktuj się ze sprzedawcą.
- **OSTRZEŻENIE!** Nie zanurzaj części elektrycznych urządzenia w wodzie lub innych płynach.
- Nigdy nie trzymaj urządzenia pod bieżącą wodą.
- Regularnie sprawdzaj wtyczkę zasilającą i przewód pod kątem uszkodzeń. W przypadku uszkodzenia musi zostać zastąpiony przez agenta serwisowego lub podobnie wykwalifikowaną osobę w celu uniknięcia niebezpieczeństwa lub obrażeń.
- Upewnij się, że przewód nie styka się z ostrymi lub gorącymi przedmiotami i trzymaj go z dala od otwartego ognia. Nigdy nie pociągaj za przewód zasilający, aby odłączyć go od gniazda, zawsze za wtyczkę.
- Upewnij się, że przewód zasilający i/lub przedłużacz nie powodują zagrożenia przejazdem.
- Nigdy nie pozostawiaj urządzenia bez nadzoru podczas użytkowania.
- **OSTRZEŻENIE!** Dopóki wtyczka znajduje się w gnieździe, urządzenie jest podłączone do źródła zasilania.
- Wyłącz urządzenie przed odłączeniem go od gniazda.
- Podłącz wtyczkę do łatwo dostępnego gniazda elektrycznego, aby w nagłych wypadkach urządzenie mogło zostać natychmiast odłączone.
- Nigdy nie noś urządzenia za przewód.
- Nie należy używać żadnych dodatkowych urządzeń, które nie są dostarczane razem z urządzeniem.

PL



- Podłącz urządzenie tylko do gniazdka elektrycznego z napięciem i częstotliwością wymienioną na etykiecie urządzenia.
- Nigdy nie używaj akcesoriów innych niż zalecane przez producenta. Niezastosowanie się do tego może stanowić zagrożenie dla bezpieczeństwa użytkownika i spowodować uszkodzenie urządzenia. Używaj tylko oryginalnych części i akcesoriów.
- Urządzenie to nie powinno być obsługiwane przez osoby o ograniczonych możliwościach fizycznych, sensorycznych lub umysłowych, ani osoby, które mają brak doświadczenia i wiedzy.
- Urządzenie to w żadnym wypadku nie powinno być używane przez dzieci.
- Przechowywać urządzenie i jego przewód zasilający w miejscu niedostępnym dla dzieci.
- **OSTRZEŻENIE:** ZAWSZE wyłączyć urządzenie i odłączyć od gniazdka elektrycznego przed czyszczeniem, konserwacją lub przechowywaniem.

Specjalne przepisy bezpieczeństwa

- **PRZECZYTAĆ UWAGAŻNIE** – promiennik podczerwieni został zaprojektowany z myślą o bezpiecznej eksploatacji. Niemniej jednak instalacja, konserwacja i obsługa promiennika może być niebezpieczna. Przestrzeganie poniższych procedur zmniejszy ryzyko pożaru, porażenia prądem, obrażeń osób oraz skróci do minimum czas instalacji. Zachować tę instrukcję do wykorzystania w przyszłości.
- Przed użyciem wyjąć urządzenie z opakowania i sprawdzić, czy jest w dobrym stanie.
- Dzieciom nie wolno bawić się częściami opakowania (takimi jak plastikowe torby).
- Podczas użytkowania promiennik jest gorący. Aby zapobiec poparzeniom, nie pozwalać, aby nieostygnięta skóra dotykała gorących powierzchni. Przy przenoszeniu promiennika należy używać uchwytów, jeśli są w wyposażeniu. Materiały łatwopalne, takie jak meble, poduszki, pościel, papiery, ubrania oraz zastony należy trzymać w odległości co najmniej 3 stóp (0,9 m) od frontu promiennika oraz z dala od jego boków i tyłu.
- Należy zachować szczególną ostrożność, gdy promiennik jest używany w pobliżu dzieci lub osób niepełnosprawnych.
- Nie używać w pobliżu lub w bezpośrednim sąsiedztwie wanny, basenu ani jakiegokolwiek źródła cieczy.
- Nie wkładać ani nie pozwalać, aby obce przedmioty dostały się do otworów wentylacyjnych lub wydechowych, ponieważ może to spowodować porażenie prądem, pożar lub uszkodzenie promiennika.
- Zawsze odłączać promiennik od zasilania, gdy nie jest używany.
- Podłączać tylko do prawidłowo uziemionych gniazdek.
- Promienniki należy zawsze podłączać bezpośrednio do gniazdka ściennego. W przypadku stosowania na zewnątrz nigdy nie używać przedłużacza ani przenośnego odłącznika zasilania [gniazdka / listwy zasilającej].
- Nie dopuszczać, aby przewód zwisał nad blatem, gdzie jest łatwo dostępny dla dzieci.
- Nie wkładać palców ani obcych przedmiotów do grilla podczas pracy.
- Nie zostawiać urządzenia bez nadzoru, gdy jest używane.
- Promiennik nie jest przeznaczony do użytku w łazienkach, pralniach i innych pomiesz-

czeniu zamkniętych, nigdy nie należy umieszczać go w miejscach, gdzie może wpaść do wanny lub innego zbiornika z wodą.

- Nie wolno uruchamiać promiennika z uszkodzonym przewodem lub wtyczką lub gdy promiennik działa nieprawidłowo, został upuszczony lub uszkodzony w jakikolwiek sposób. Przed ponownym użyciem należy odłączyć zasilanie od panelu zasilającego i zlecić sprawdzenie promiennika renomowanemu elektrykowi. Jeśli przewód zasilający jest w jakikolwiek sposób uszkodzony, musi zostać wymieniony przez producenta, jego pracownika serwisu lub osobę o podobnych kwalifikacjach, aby uniknąć zagrożenia.
- Nie należy prowadzić przewodu pod wykładziną. Nie przykrywać przewodu dywanikami, bieżnikami lub innymi podobnymi przedmiotami. Nie należy prowadzić przewodu pod meblami lub urządzeniami. Przewód należy ułożyć z dala od miejsc, w których panuje ruch oraz w miejscach, w których nie można się o niego potknąć.
- Aby zapobiec przegrzaniu urządzenia, utrzymywać wloty i wyloty powietrza w czystości i wolne od wszelkich przedmiotów, które mogą je zablokować. Od czasu do czasu sprawdzić wszystkie wloty i wyloty, aby upewnić się, że nie gromadzi się w nich brud lub kurz. **NIE PRZYKRYWAĆ.**
- Wewnątrz promiennika znajdują się części gorące i wydzielające łuk elektryczny lub iskrę. Nie używać go w miejscach, gdzie używa się lub przechowuje benzynę, farby lub płyny łatwopalne.
- Części promiennika mogą przekroczyć 200°C, kontakt z elementem grzewczym, odbłyśnikiem lub metalowymi częściami w pobliżu elementu grzewczego może spowodować poważne OPARZENIA. Aby zapobiec poparzeniom, nie pozwalać, aby nieostrożna skóra dotykała gorącej powierzchni.
- **NIGDY** nie wkładać rąk pod elementy grzewcze. **ZAWSZE** należy odczekać co najmniej 10 minut przed dotknięciem elementu grzewczego lub przylegających części.
- Ten produkt zawiera materiały nadające się do recyklingu. Nie należy wyrzucać tego produktu jako nieposortowanych odpadów komunalnych. Należy skontaktować się z lokalnym urzędem gminy w celu uzyskania informacji o najbliższym punkcie zbiórki.

PL

Bedoeld gebruik

- Het apparaat is bestemd voor professioneel gebruik.
- Urządzenie jest przeznaczone do ogrzewania na zewnątrz i, zgodnie z surowymi przepisami, wewnątrz. Elk ander gebruik kan leiden tot schade aan het apparaat of lichamelijk letsel.
- Gebruik van het apparaat voor andere doeleinden wordt beschouwd als verkeerd gebruik van het apparaat. De gebruiker is volledig aansprakelijk voor alle risico's die voortvloeien uit verkeerd gebruik van het apparaat.



Aarding installatie

Dit apparaat is geclassificeerd als **beschermingsklasse I** en moet op een beschermende grond worden aangesloten. Aarding vermindert het risico op elektrische schokken door een ontsnappingsdraad voor de elektrische stroom aan te bieden.

Dit apparaat is uitgerust met een netsnoer met een aardingsdraad en geaarde stekker. De stekker moet worden aangesloten op een stopcontact dat correct is geïnstalleerd en geaard.

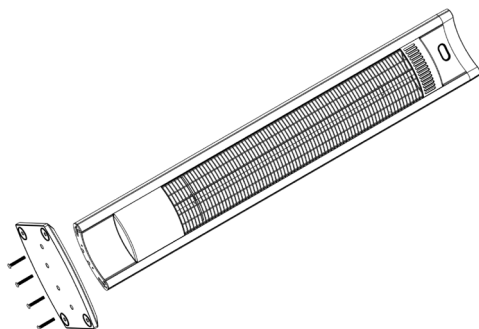
Wprowadzenie

Promienniki podczerwieni w technologii włókna węglowego HENDI TORNADO wytwarzają natychmiastowe i komfortowe ciepło podobne do tego, jakie daje słońce. Te solidne i odporne na warunki

atmosferyczne promienniki są przeznaczone do domowych i komercyjnych zastosowań grzewczych w pomieszczeniach i na zewnątrz.

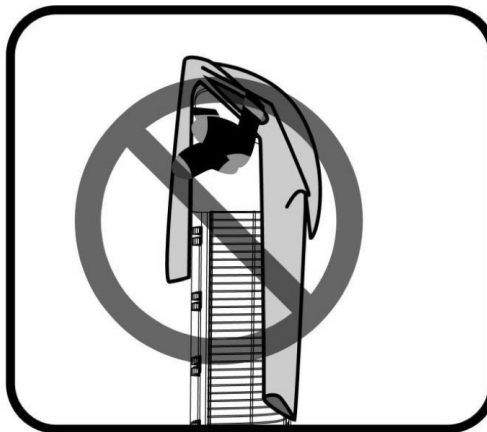
Montaż

1. Niniejszy promiennik powinien być zainstalowany przez kompetentną osobę, tj. wykwalifikowanego elektryka.
2. Należy zawsze odłączyć promiennik od zasilania elektrycznego i pozostawić go do ostygnięcia przed montażem.
3. Przewód zasilający należy trzymać z dala od korpusu promiennika, który będzie się nagrzewał podczas użytkowania.
4. Jeśli promiennik ma być używany na zewnątrz, zalecane jest zastosowanie gniazdka odpornego na warunki atmosferyczne.
5. Przymocować bezpiecznie promiennik na płycie podstawy za pomocą dostarczonych śrub.

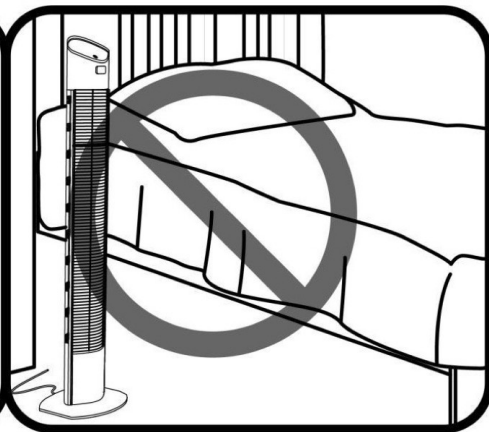


Ostrzeżenie

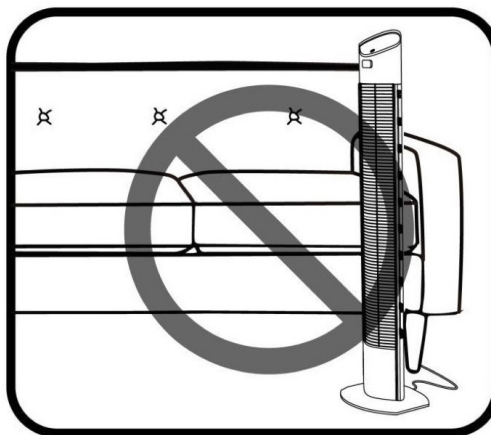
W celu redukcji zagrożenia pożaru - 01



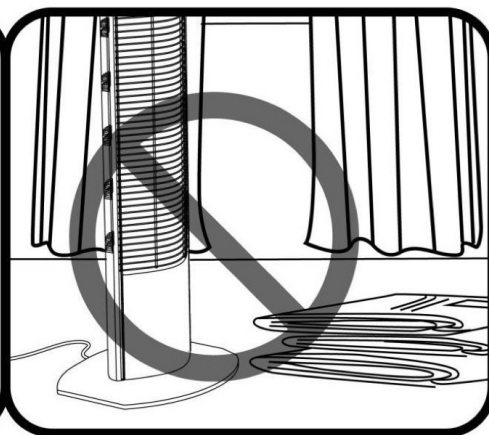
PRZESTROGA: Nie przykrywać promiennika żadnymi przedmiotami, np. szmatką.



PRZESTROGA: Nie umieszczać promiennika w pobliżu łóżka.



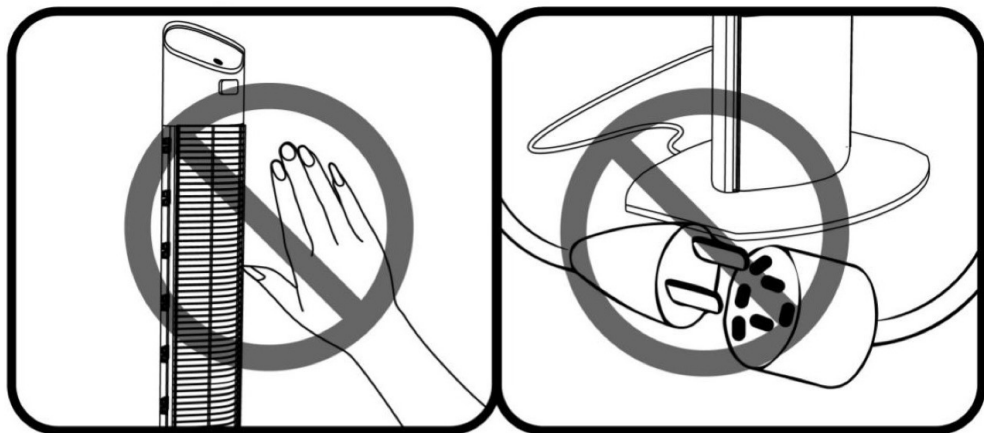
PRZESTROGA: Trzymać meble, papier, ubrania itp. z dala od boków i tyłu.



PRZESTROGA: Materiały łatwopalne, takie jak meble, poduszki oraz zastony należy trzymać w odległości co najmniej 3 stóp (0,9 m) od frontu promiennika oraz z dala od jego boków i tyłu.



W celu redukcji zagrożenia pożaru - 02



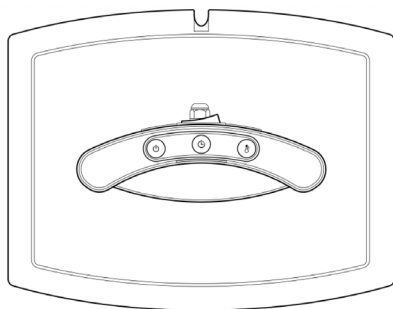
PRZESTROGA: Gorąca powierzchnia, NIE dotykać.

PRZESTROGA: NIE używać przedłużacza ani przenośnego gniazdka (gniazdka / listwy zasilającej).

Obsługa

Kluczowa funkcja produktu:

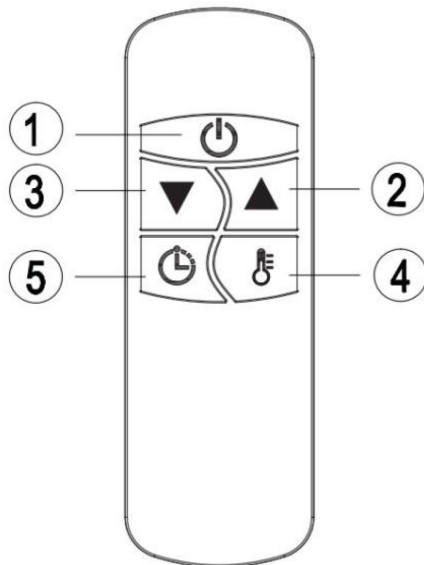
1. Nacisnąć przycisk zasilania, produkt jest w trybie gotowości, wyświetlacz pokazuje (- -);
2. Nacisnąć przycisk poziomu ogrzewania: wybór poziomu ogrzewania (L1-L2 tryb gotowości-wyłączony)
3. Nacisnąć przycisk minutnika: Ustawianie minutnika w zakresie 0H-24H, czyli liczbę godzin, przez które będzie działał. Wyświetlacz pokaże 0H, należy ustawić wymaganą liczbę godzin,



Obsługa za pomocą pilota

1. **PRZYCISK ZASILANIA:** Wytęcza promiennik.
2. **PRZYCISK W GÓRĘ:** Zwiększa czas na minutniku lub poziom mocy.
3. **PRZYCISK W DÓŁ:** Zmniejsza czas na minutniku lub poziom mocy.
4. **PRZYCISK POZIOMU:** Służy do regulacji poziomów ogrzewania (L1-L2). Nacisnąć przycisk Poziom, a następnie użyć przycisków w górę i w dół (przyciski 2 i 3), aby zwiększyć lub zmniejszyć poziom ogrzewania.
5. **PRZYCISK MINUTNIKA:** Ustawianie minutnika w zakresie 0H-24H, czyli liczbę godzin, przez które będzie działał. Wyświetlacz pokaże 0H, należy ustawić wymaganą liczbę godzin, używając przycisków w górę i w dół (2 i 3).

Uwaga: Wszystkie promienniki i ich piloty mają tę samą częstotliwość, dlatego możliwe jest sterowanie kilkoma promiennikami za pomocą jednego pilota.



Wkładanie baterii (nie dołączone do zestawu)

- Wkładanie 2 baterii typu AAA/alkalicznych do pilota.
1. Odwrócić tylną część pilota i wyciągnąć pokrywę baterii. Włożyć baterie zgodnie z instrukcją i biegunowością baterii.
 2. Wymienić baterie w sposób przedstawiony powyżej.

UWAGA:

1. Wymienić stare baterie na baterie tego samego typu. W przeciwnym razie promiennik może nie działać prawidłowo.
2. Wyciągnąć baterie w przypadku długiego okresu nieużywania, aby zapobiec wyciekowi, który może spowodować uszkodzenie pilota.
3. Nie należy dopuszczać do przedostania się wody lub cieczy do pilota.

PRZESTROGA

Gdy urządzenie nie jest eksploatowane przez dłuższy czas, przeprowadzane jest czyszczenie lub konserwacja, lub gdy zmieniana jest lokalizacja promiennika, powinien on być wyłączony i odłączony

ny od przyłącza elektrycznego.

Okresowa kontrola oraz usuwanie brudu i zanieczyszczeń zapewni bezpieczną eksploatację urządzenia.



Wyszukiwanie i rozwiązywanie problemów

Jeśli urządzenie nie działa prawidłowo, zapoznaj się z poniższą tabelą w celu znalezienia prawidłowego rozwiązania. Jeśli nie możesz rozwiązać problemu, skontaktuj się z dostawcą.

1. Sprawdzić, czy przewód zasilający jest podłączony do gniazdka elektrycznego, jeśli nie, podłączyć go.
2. Sprawdzić, czy działa zasilanie bezpiecznika głównego.
3. Na wyświetlaczu pojawia się kod błędu.

Problem	Potencjalna przyczyna	Rozwiązanie
Błąd E1 na wyświetlaczu	Przegrzanie jednostki sterującej.	Sprawdzić odstępy montażowe.

W razie wątpliwości zawsze skontaktuj się z dostawcą!

Czyszczenie i konserwacja

Konserwacja

UWAGA! W celu zapewnienia długotrwałej i wydajnej pracy urządzenia bardzo ważna jest staranna i regularna konserwacja promiennika zgodnie z naszymi instrukcjami.

1. Przynajmniej raz w miesiącu należy sprawdzić stopień zanieczyszczenia odbłyśnika i włókna podczerwieni. W razie potrzeby stosować instrukcje czyszczenia i konserwacji.
2. Częstotliwość kontroli można zwiększyć, biorąc pod uwagę ilość kurzu w otoczeniu.

Czyszczenie

• Regularne i staranne czyszczenie pozwoli promiennikowi podczerwieni pracować wydajnie i bezproblemowo przez wiele lat. Aby wyczyścić promiennik należy wykonać poniższe kroki:

1. Przed przystąpieniem do czyszczenia urządzenia należy dla własnego bezpieczeństwa odłączyć przewód zasilający.
2. Następnie należy upewnić się, że promiennik ostygł.
3. Aby utrzymać promiennik w czystości, jego zewnętrzną powłokę można czyścić miękką, wilgotną szmatką. W razie potrzeby można użyć delikatnego detergentu. Po czyszczeniu wytrzeć urządzenie do sucha miękką szmatką. (PRZESTROGA: NIE WOLNO dopuścić do przedostania się płynów do wnętrza promiennika).

3. Podczas czyszczenia urządzenia należy wizualnie sprawdzić deformację odbłyśnika, pręta i ramy. W przypadku stwierdzenia deformacji należy skontaktować się z serwisem technicznym.
4. Podczas czyszczenia urządzenia sprawdzić wzrokowo przewód zasilający i wtyczkę. W przypadku stwierdzenia deformacji należy skontaktować się z serwisem technicznym.

4. NIE WOLNO używać alkoholu, benzyny, proszków ściernych, pasty do mebli ani szorstkich szczołek do czyszczenia promiennika. Może to spowodować uszkodzenie lub zniszczenie jego powierzchni.
5. NIE WOLNO zanurzać promiennika w wodzie.
6. Przed użyciem należy odczekać, aż promiennik całkowicie wyschnie.

Przechowywanie: Nieużywany promiennik należy przechowywać w chłodnym, suchym miejscu, aby zapobiec gromadzeniu się kurzu i brudu. Do przechowywania należy używać oryginalnego opakowania.

UWAGA

1. Zawsze odłączyć promiennik od zasilania elektrycznego i pozostawić go do ostygnięcia przed przystąpieniem do pracy przy nim.
2. Jeżeli wewnątrz promiennika lub wokół elementu grzewczego zebrał się kurz lub brud, należy zlecić czyszczenie urządzenia wykwalifikowanemu pracownikowi serwisu. Nie używać promiennika w takim stanie.
3. Jedyną wymaganą czynnością konserwacyjną jest czyszczenie zewnętrznych powierzchni promiennika.
4. Nie należy dotykać elementu grzewczego gołymi palcami, ponieważ pozostałości z dłoni mogą wpłynąć na żywotność lampy. W razie przypadkowego dotknięcia należy usunąć ślady palców miękką szmatką zwilżoną spirytusem mentolowym lub alkoholem.
5. Nie należy próbować naprawiać ani regulować żadnych funkcji elektrycznych lub mechanicznych tego promiennika.
6. Promiennik nie zawiera części, które mogą być naprawiane przez użytkownika. Jeżeli produkt ulegnie uszkodzeniu lub awarii, należy go zwrócić do producenta lub jego pracownika serwisu.
7. Uszkodzone przewody zasilające powinny być wymienione przez producenta, pracownika serwisu lub osobę o podobnych kwalifikacjach w celu uniknięcia zagrożenia.

Specyfikacja techniczna

Nr produktu: 272435

Napięcie zasilania: 220-240V~ 50/60Hz

Pobór mocy: 2000 W

Stopień ochrony: Klasa I

Klasa wodoszczelność: IP44

Wymiary: 174x69x(H)1058 mm

Waga netto : ok. 6 kg

Specyfikacja techniczna może ulec zmianie bez uprzedzenia.

Gwarancja

Każda wada bądź usterka powodująca niewłaściwe funkcjonowanie urządzenia, która ujawni się w ciągu jednego roku od daty zakupu, zostanie bezpłatnie usunięta lub urządzenie zostanie wymienione na nowe, o ile było użytkowane i konserwowane zgodnie z instrukcją obsługi i nie było wykorzystywane w niewłaściwy sposób lub niezgodnie z przeznaczeniem. Postanowienie to w żadnej mierze nie narusza innych praw użytkownika wynikających z przepisów prawa. W przypadku zgłoszenia urzą-

dzenia do naprawy lub wymiany w ramach gwarancji należy podać miejsce i datę zakupu urządzenia i dołączyć dowód zakupu (np. paragon).

Zgodnie z naszą polityką ciągłego doskonalenia wyrobów zastrzegamy sobie prawo do wprowadzania bez uprzedzenia zmian w wyrobie, opakowaniu oraz danych technicznych podawanych w dokumentacji.



Wycofanie z użytkowania i ochrona środowiska

Pamiętaj!

Nie wyrzucaj zużytego sprzętu łącznie z innymi odpadami

Nie demontuj zużytych urządzeń zawierających niebezpieczne składniki na własną rękę!

Groź Ci za to kary grzywny!

Po zakończeniu eksploatacji produktu nie wolno gromadzić razem z odpadami komunalnymi, tylko należy odstawić do punktu odbioru odpadów elektrycznych i elektronicznych. Użytkownik ponosi odpowiedzialność za przekazanie wycofanego z użytkowania urządzenia do punktu gospodarowania odpadami. Nieprzestrzeganie tej zasady może być karane zgodnie z lokalnie obowiązującymi przepisami dotyczącymi gospodarowania odpadami. Jeśli urządzenie wycofane z użytkowania jest poprawnie odebrane jako osobny odpad, może zostać przetworzone i zutylicowane w sposób przyjazny dla środowiska, co zmniejsza negatywny wpływ na środowisko i zdrowie ludzi. Aby uzyskać więcej informacji dotyczących dostępnych usług w zakresie

odbioru odpadów, należy skontaktować się z lokalną firmą odbierającą odpady.



Symbol przekreślonego kosza na śmieci oznacza, że tego produktu nie wolno wyrzucać do zwykłych pojemników na odpady.

Zużyte urządzenia elektryczne i elektroniczne mogą zawierać niebezpieczne składniki np. rtęć, ołów, kadm lub freon. Jeśli tego typu substancje przedostaną się w sposób niekontrolowany do środowiska, spowodują skażenie wody i gleby, a także wpłyną niekorzystnie na zdrowie ludzi i zwierząt.


Właściwe postępowanie ze zużytym sprzętem zapobiega potencjalnym negatywnym konsekwencjom dla środowiska naturalnego i ludzkiego zdrowia.

Jednocześnie oszczędzamy naturalne zasoby naszej Ziemi wykorzystując powtórnie surowce uzyskane z przetwarzania sprzętu.

Cher client,

Merci d'avoir acheté cet appareil Hendi. Lisez attentivement ce manuel, en accordant une attention particulière aux règles de sécurité décrites ci-dessous, avant d'installer et d'utiliser cet appareil pour la première fois.

Règlement sur la sécurité

- Cet appareil est destiné à un usage professionnel uniquement.
- N'utilisez l'appareil qu'aux fins prévues pour lesquelles il a été conçu comme décrit dans le présent manuel.
- Le fabricant n'est pas responsable des dommages causés par un mauvais fonctionnement et une mauvaise utilisation.
- Gardez l'appareil et la prise électrique à l'écart de l'eau et des autres liquides. Dans le cas où l'appareil tombe dans l'eau, retirez immédiatement la prise d'alimentation de la prise. N'utilisez pas l'appareil tant qu'elle n'a pas été vérifiée par un technicien certifié. Si vous ne respectez pas ces instructions, vous risquez de mettre la vie en danger.
- N'essayez jamais d'ouvrir le boîtier de l'appareil par vous-même.
- N'insérez pas d'objets dans le boîtier de l'appareil.
- Ne touchez pas la prise avec les mains mouillées ou humides.
-  **DANGER DE CHOC ÉLECTRIQUE!** N'essayez pas de réparer l'appareil par vous-même, les réparations doivent être effectuées uniquement par du personnel qualifié.
- **N'utilisez jamais un appareil endommagé!** Lorsqu'il est endommagé, débranchez l'appareil de la prise et contactez le détaillant.
- **AVERTISSEMENT!** Ne pas immerger les parties électriques de l'appareil dans de l'eau ou d'autres liquides.
- Ne tenez jamais l'appareil sous l'eau courante.
- Vérifiez régulièrement la prise d'alimentation et le cordon pour tout dommage. Lorsqu'il est endommagé, il doit être remplacé par un agent de service ou une personne qualifiée de la même manière afin d'éviter un danger ou une blessure.
- Assurez-vous que le cordon n'entre pas en contact avec des objets tranchants ou chauds et maintenez-le à l'écart du feu ouvert. Ne tirez jamais le cordon d'alimentation pour le débrancher de la prise, tirez toujours la prise à la place.
- Assurez-vous que le cordon d'alimentation et/ou le rallonge ne présentent pas de risque de déclenchement.
- Ne laissez jamais l'appareil sans surveillance pendant l'utilisation.
- **AVERTISSEMENT!** Tant que la prise est dans la prise, l'appareil est connecté à la source d'alimentation.
- Éteignez l'appareil avant de le débrancher de la prise.
- Connectez la prise d'alimentation à une prise électrique facilement accessible afin qu'en cas d'urgence l'appareil puisse être débranché immédiatement.
- Ne portez jamais l'appareil par le cordon.
- N'utilisez pas de périphériques supplémentaires qui ne sont pas fournis avec la solution matérielle-logicielle.

FR



- Connectez uniquement l'appareil à une prise électrique dont la tension et la fréquence sont indiquées sur l'étiquette de l'appareil.
- N'utilisez jamais d'accessoires autres que ceux recommandés par le fabricant. Le fait de ne pas le faire pourrait présenter un risque pour la sécurité de l'utilisateur et pourrait endommager l'appareil. Utilisez uniquement des pièces et accessoires d'origine.
- Cet appareil ne doit pas être utilisé par des personnes ayant des capacités physiques, sensorielles ou mentales réduites, ou par des personnes qui ont un manque d'expérience et de connaissances.
- Cet appareil ne doit en aucun cas être utilisé par des enfants.
- Gardez l'appareil et son cordon d'alimentation hors de portée des enfants.
- **ATTENTION:** éteignez TOUJOURS l'appareil et débranchez de la prise d'alimentation avant le nettoyage, l'entretien ou le stockage.

Règlement spécial sur la sécurité

- **LIRE ATTENTIVEMENT** - le radiateur infrarouge est conçu pour fonctionner en toute sécurité. Néanmoins, l'installation, l'entretien et le fonctionnement du radiateur peuvent être dangereux. Le respect des procédures suivantes réduira les risques d'incendie, d'électrocution, de blessures et minimisera le temps d'installation. Conservez ces instructions pour une utilisation ultérieure.
- Retirez le radiateur de son emballage et vérifiez qu'il est en bon état avant de l'utiliser.
- Ne pas laisser les enfants jouer avec les parties de l'emballage (comme les sacs en plastique).
- Ce radiateur est chaud lorsqu'il est utilisé. Pour éviter les brûlures, ne pas laisser la peau nue toucher les surfaces chaudes. S'il est fourni, utilisez des poignées pour déplacer cet appareil. Gardez les matériaux combustibles, tels que les meubles, les oreillers, la literie, les papiers, les vêtements et les rideaux à au moins 3 pieds (0,9 m) de l'avant du radiateur et éloignez-les des côtés et de l'arrière.
- Une extrême prudence est nécessaire lorsque le radiateur est utilisé à proximité d'enfants ou d'invalides.
- Ne pas utiliser à proximité ou dans le voisinage immédiat d'une baignoire ou d'une piscine ou de toute source de liquide.
- Ne pas insérer et ne pas laisser d'objets étrangers pénétrer dans les ouvertures de ventilation ou d'évacuation, car cela risque de provoquer un choc électrique, un incendie ou endommager le radiateur.
- Débranchez toujours le radiateur lorsqu'il n'est pas utilisé.
- Ne le branchez que sur des prises correctement mises à la terre.
- Branchez toujours les radiateurs directement à une prise murale. Pour une utilisation à l'extérieur, ne jamais l'utiliser avec une rallonge ou une prise de courant amovible (prise multiple/barre d'alimentation).
- Ne pas laisser le cordon dépasser d'un plan de travail où il risque d'être facilement tiré par des enfants.
- Ne pas mettre les doigts ou des objets étrangers dans le gril lorsqu'il fonctionne.

- Ne pas laisser l'appareil sans surveillance lorsqu'il est en marche.
- Cet appareil n'est pas destiné à une utilisation dans les salles de bains, les buanderies et autres endroits intérieurs similaires. Ne jamais placer le radiateur dans un endroit où il risque de tomber dans une baignoire ou dans l'eau.
- Ne pas faire fonctionner un appareil avec un cordon ou une fiche endommagé(e) ou après un dysfonctionnement, une chute ou un dommage quelconque du radiateur. Coupez l'alimentation au niveau du panneau de service et faites inspecter le radiateur par un électricien considéré comme fiable avant de le réutiliser. Si le cordon d'alimentation est endommagé de quelque manière que ce soit, il doit être remplacé par le fabricant ou son agent de service ou une personne de qualification similaire afin d'éviter tout danger.
- Ne pas faire passer le cordon sous une moquette. Ne pas recouvrir le cordon avec des tapis, des tapis de sol ou d'autres revêtements similaires. Ne pas faire passer le cordon sous des meubles ou des appareils. Placez le cordon à l'écart des zones de circulation et d'endroits où l'on risquerait de trébucher dessus.
- Pour éviter la surchauffe de cet appareil, gardez les entrées et sorties d'air propres et exemptes de tout ce qui pourrait les bloquer. Vérifiez périodiquement toutes les entrées et sorties pour vous assurer qu'il n'y a aucune accumulation de saleté ou de poussière. **NE PAS COUVRIR.**
- Un radiateur contient des pièces chaudes qui produisent des arcs ou des étincelles. Ne pas l'utiliser dans des lieux d'utilisation ou de stockage d'essence, de peinture ou de liquides inflammables.
- Certaines parties du radiateur pouvant dépasser une température de 200°C, le contact avec le tube chauffant, le réflecteur ou les parties métalliques à proximité du tube chauffant risque de provoquer de graves BRÛLURES. Pour éviter les brûlures, ne pas laisser la peau nue toucher les surfaces chaudes.
- Ne JAMAIS placer les mains sous les éléments chauffants. Laissez TOUJOURS l'élément chauffant refroidir au moins 10 minutes avant de toucher le tube chauffant ou les pièces adjacentes.
- Ce produit contient des matériaux recyclables. Ne pas jeter ce produit comme un déchet ménager non trié. Veuillez contacter votre municipalité pour connaître le point de collecte le plus proche.

FR

Utilisation prévue

- Il dispositivo è destinato all'uso professionale.
- L'appareil est conçu pour chauffer à l'extérieur et selon des règles strictes à l'intérieur. L'uso del dispositivo per qualsiasi altro scopo può causare danni o lesioni.
- L'uso del dispositivo per qualsiasi altro scopo sarà considerato un uso improprio. L'utente sarà l'unico responsabile per l'uso scorretto del dispositivo.



Installation de mise à la terre

Cet appareil est classé dans la **classe de protection I** et doit être raccordé à un sol de protection. La mise à la terre réduit le risque de choc électrique en fournissant un fil d'évacuation pour le courant élec-

trique. Cet appareil est équipé d'un cordon d'alimentation muni d'un fil de mise à la terre et d'une prise mise à la terre. La fiche doit être branchée sur une prise correctement installée et mise à la terre.

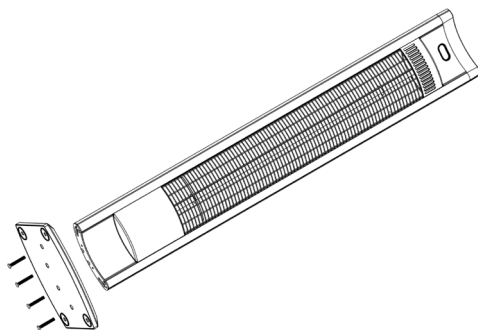
Introduction

Les radiateurs infrarouge au carbone HENDI TORNADO dégagent une chaleur instantanée et agréable comme le soleil. Ces radiateurs robustes

et résistants aux intempéries sont conçus pour des applications de chauffage domestiques et commerciales à l'intérieur et à l'extérieur.

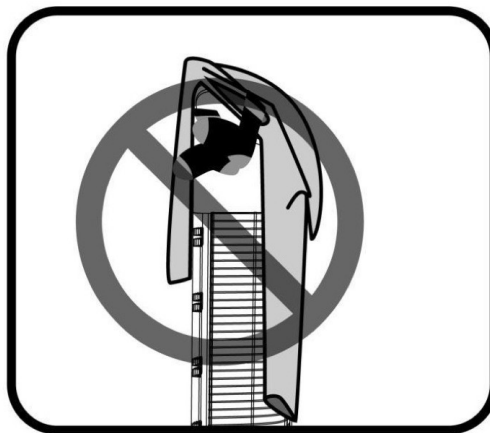
Installation

1. Ce radiateur doit être installé par une personne compétente, à savoir par un électricien qualifié.
2. Débranchez toujours le radiateur de l'alimentation électrique et laissez-le refroidir avant de l'installer.
3. Gardez le cordon d'alimentation à l'écart du corps du radiateur qui deviendra chaud pendant l'utilisation.
4. En cas d'utilisation à l'extérieur, il est recommandé d'utiliser une prise étanche.
5. Fixez solidement le radiateur sur le socle à l'aide des vis fournies.

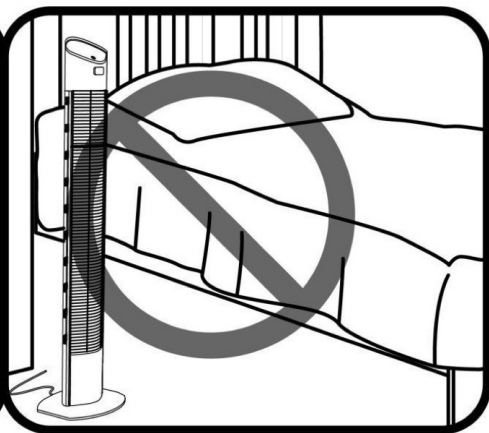


Avertissement

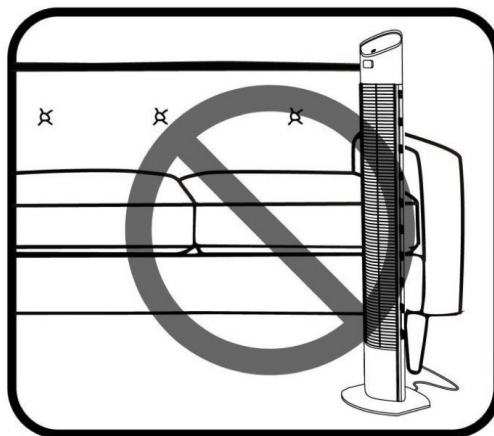
Pour réduire le risque d'incendie - 01



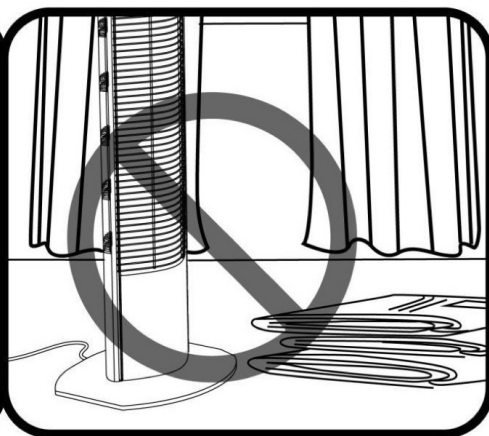
ATTENTION: Ne pas couvrir le radiateur d'objets tels que des vêtements.



ATTENTION: Ne pas placer le radiateur près d'un lit.



ATTENTION: Éloignez les meubles, papiers, vêtements, etc. des côtés et de l'arrière.

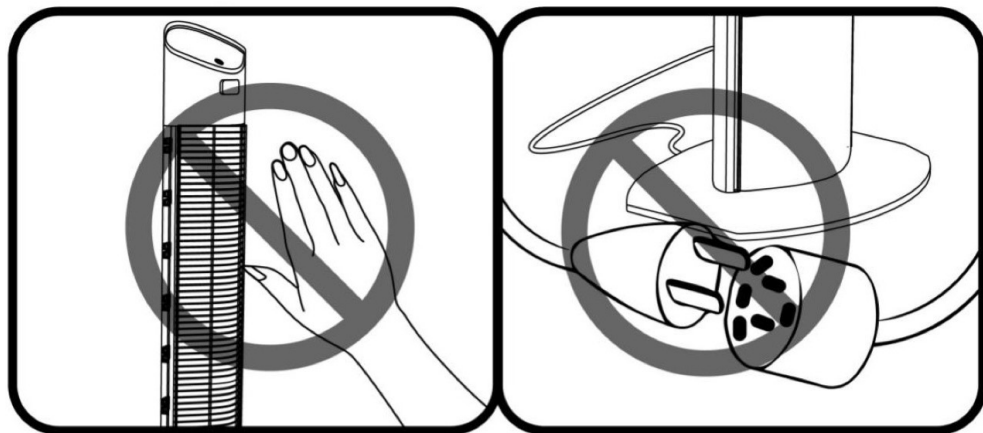


ATTENTION: Gardez les matériaux combustibles, tels que les meubles, les oreillers et les rideaux à au moins 3 pieds (0,9 m) de l'avant du radiateur et éloignez-les des côtés et de l'arrière.

FR



Pour réduire le risque d'incendie - 02



ATTENTION: Surface chaude, ne pas toucher.

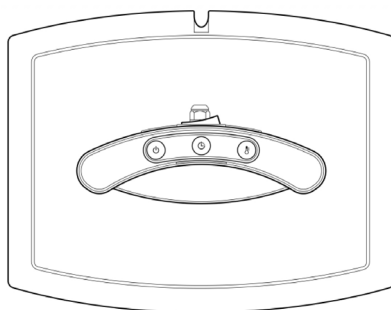
ATTENTION: Ne PAS l'utiliser avec une rallonge ou une prise de courant amovible (prise multiple/ barre d'alimentation).

Fonctionnement

Fonction clé du produit:

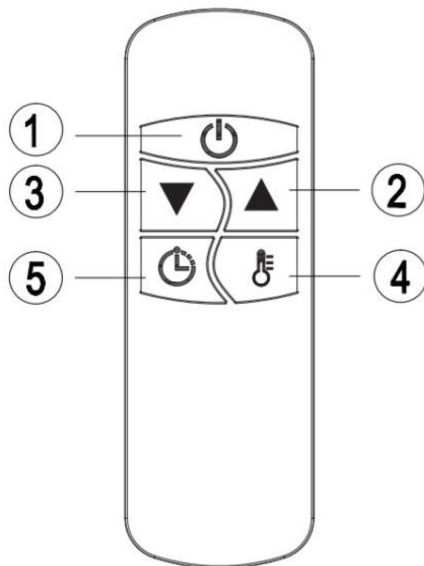
FR

1. Allumez le bouton d'alimentation, le produit est en mode veille (- -) ;
2. Appuyez sur le bouton de niveau de chauffage : sélectionner le niveau de chauffage (L1-L2 veille - arrêt)
3. Appuyez sur le bouton de la minuterie : Pour régler la minuterie de 0H-24H, c'est-à-dire le nombre d'heures de fonctionnement. 0 H s'affiche, puis réglez selon le nombre d'heures que vous souhaitez définir.



Instructions pour la télécommande

1. **BOUTON D'ALIMENTATION** : Éteindre le radiateur.
2. **BOUTON HAUT** : Augmenter le niveau de la minuterie ou de la puissance.
3. **BOUTON BAS** : Diminuer le niveau de la minuterie ou de la puissance.
4. **BOUTON NIVEAU** : Permet de régler les niveaux de chaleur (L1-L2). Appuyez sur le bouton Niveau puis utilisez les boutons haut et bas (boutons 2 et 3) pour augmenter ou diminuer le niveau de chauffage.
5. **BOUTON DE MINUTERIE** : Pour régler la minuterie de 0H-24H, c'est-à-dire le nombre d'heures de fonctionnement. 0 H s'affichera, puis vous pourrez régler le nombre d'heures que vous souhaitez à l'aide des boutons haut et bas (2 et 3).



Remarque : Tous les radiateurs et leurs télécommandes ont la même fréquence, il est donc possible de commander plusieurs chauffages avec une seule télécommande.

Insertion des piles (non incluses)

- Insérez 2 piles de type AAA/alcaline dans votre télécommande.
1. Retournez l'arrière de votre télécommande et retirez le couvercle des piles. Insérez les piles en respectant les instructions et la polarité des piles.
 2. Changez les piles de la même manière que celle décrite ci-dessus.

AVIS :

1. Remplacez les piles usagées par des piles de même type. Sinon, votre radiateur risque de ne pas fonctionner correctement.
2. Retirez les piles en cas d'inutilisation prolongée afin d'éviter toute fuite qui risquerait d'endommager votre télécommande.
3. Ne pas laisser d'eau ou de liquide pénétrer dans la télécommande.

MISE EN GARDE

Si le radiateur n'est pas utilisé pendant une longue période, lors d'un nettoyage ou d'un entretien ou lorsque l'emplacement du radiateur est modifié, celui-ci doit être mis sur OFF et débranché de la prise électrique.

Une inspection périodique et l'élimination de la saleté et des contaminants permettront d'utiliser le radiateur en toute sécurité.



Ricerca e risoluzione dei problemi

Se l'apparecchio non funziona correttamente, leggere la tabella qui sotto per trovare la soluzione corretta. Se non è possibile risolvere il problema, contattare il rivenditore.

1. Vérifiez que le cordon d'alimentation est branché sur une prise électrique, sinon le brancher.
2. Vérifiez que le fusible principal fonctionne.
3. Le code d'erreur s'affiche à l'écran.

Problème	Cause possible	Solution
Erreur E1 à l'écran	Surchauffe de l'unité de contrôle.	Vérifiez les dégagements d'installation.

In caso di dubbio contattare sempre il fornitore!

Nettoyage et entretien

Entretien

ATTENTION! Un entretien soigneux et régulier de votre appareil conformément à nos instructions revêt une grande importance pour obtenir un fonctionnement efficace et durable de votre appareil.

1. Vérifiez la saleté du réflecteur et du filament IR au moins une fois par mois. Si nécessaire, appliquez les instructions de nettoyage et d'entretien.
2. Le nombre de contrôles peut être augmenté en fonction de la quantité de poussière présente dans l'environnement.

Nettoyage

- Un nettoyage régulier et soigneux permet à votre chauffage infrarouge de fonctionner efficacement et sans défaillance pendant de nombreuses années. Pour nettoyer votre appareil

1. Débranchez le cordon d'alimentation pour votre sécurité avant de nettoyer votre appareil.
2. Assurez-vous que le radiateur est froid avant de continuer.
3. Pour garder le radiateur propre, la paroi extérieure peut être nettoyée avec un chiffon doux et humide. Vous pouvez utiliser un détergent doux si nécessaire. Après le nettoyage, séchez le radiateur avec un chiffon doux. (ATTENTION : NE PAS laisser de liquides pénétrer dans le radiateur).

3. Vérifiez visuellement la déformation du réflecteur, du fil et du cadre lors du nettoyage de l'appareil. En cas de déformation, consultez votre service technique.
4. Vérifier visuellement le cordon d'alimentation et la fiche pendant le nettoyage de l'appareil. En cas de déformation, consultez votre service technique.

4. NE PAS utiliser d'alcool, d'essence, de poudres abrasives, de cire pour meubles ou de brosses rugueuses pour nettoyer le radiateur. Cela risquerait d'endommager ou d'altérer la surface du chauffe-eau.
5. NE PAS immerger le radiateur dans l'eau.
6. Attendez que le radiateur soit complètement sec avant de l'utiliser.

Stockage : Pour éviter l'accumulation de poussière et de saleté, rangez le radiateur dans un endroit frais et sec lorsqu'il n'est pas utilisé. Utilisez le carton d'emballage pour le stocker.

ATTENTION

1. Débranchez toujours le radiateur de l'alimentation électrique et laissez-le refroidir avant d'essayer de travailler dessus.
2. Si de la poussière ou de la saleté s'est accumulée à l'intérieur du radiateur ou autour de l'élément chauffant, un nettoyage doit être effectué par un agent de service qualifié. Ne pas faire fonctionner le radiateur dans cet état.
3. Le seul entretien nécessaire est le nettoyage des surfaces externes du radiateur.
4. Ne pas toucher l'élément chauffant avec les doigts nus, car des résidus sur la main risquent d'affecter la durée de vie de la lampe. Si vous le touchez accidentellement, retirez les traces de doigts avec un chiffon doux imbibé d'alcool à brûler ou d'alcool.
5. Ne pas tenter de réparer ou d'ajuster les fonctions électriques ou mécaniques de ce chauffe-eau.
6. Le radiateur ne contient aucune pièce réparable par l'utilisateur. Si le produit est endommagé ou tombe en panne, il doit être renvoyé au fabricant ou à son agent de service.
7. Afin d'éviter tout danger, les cordons d'alimentation endommagés doivent être remplacés par le fabricant, un agent de service ou une personne de qualification similaire.

Caractéristiques techniques

Produit numéro: 272435

Tension et fréquence: 220-240V~ 50/60Hz

Consommation électrique: 2000 W

Protection: Classe I

Classe d'imperméabilité: IP44

Dimension: 174x69x(H)1058 mm

Poids net : env. 6 kg

REMARQUE: Les caractéristiques techniques peuvent être modifiées sans préavis.

Garantie

Tout vice ou toute défaillance entraînant un dysfonctionnement de l'appareil qui se déclare dans les 12 mois suivant la date de l'achat sera éliminé à titre gratuit ou l'appareil sera remplacé par un appareil nouveau si le premier a été dûment exploité et entretenu conformément aux termes de la notice d'exploitation et s'il n'a pas été indûment exploité ou de manière non conforme à sa destination. La présente stipulation ne porte pas de préjudice aux autres droits de l'utilisateur prévus par les dispositions légales. Dans le cas où l'appareil est donné à la réparation ou doit être remplacé

dans le cadre de la garantie, il y a lieu de spécifier le lieu et la date de l'achat de l'appareil et produire un justificatif nécessaire (par ex. facture ou ticket de caisse).

Conformément à notre politique d'amélioration permanente de nos produits, nous nous réservons le droit d'introduire sans avertissement préalable des modifications à l'appareil, à l'emballage et aux caractéristiques techniques précisées dans la documentation.

Élimination et protection de l'environnement

En cas de retrait du produit de l'exploitation l'appareil ne peut pas être jeté avec d'autres déchets ménagers. L'utilisateur est responsable de la remise de l'équipement au point de collecte approprié pour l'équipement usagé. Le non-respect des dispositions ci-dessus peut entraîner les pénalités conformément à la réglementation applicable en matière d'élimination des déchets. La collecte sélective et le recyclage des équipements usagés contribuent à la conservation des ressources natu-


relles et assurent un recyclage sans danger pour la santé et l'environnement.

Pour plus d'informations sur les endroits de collecte des équipements usagés pour le recyclage, contactez la société de collecte des déchets locale. Le producteur et l'importateur ne sont pas responsables du recyclage et du traitement des déchets d'une manière respectueuse de l'environnement directement et dans le système public.



Grazie per aver acquistato questo apparecchio HENDI. Leggere attentamente questo manuale, prestando particolare attenzione alle norme di sicurezza descritte di seguito, prima di installare e utilizzare questo apparecchio per la prima volta.

Norme di sicurezza

- Questo apparecchio è destinato esclusivamente all'uso commerciale.
- Utilizzare l'apparecchio solo per lo scopo previsto per il quale è stato progettato come descritto nel presente manuale.
- Il produttore non è responsabile per eventuali danni causati da un funzionamento scorretto e da un uso improprio.
- Tenere l'apparecchio e la spina elettrica lontano da acqua e altri liquidi. Nel caso in cui l'apparecchio cada in acqua, rimuovere immediatamente la spina di alimentazione dalla presa. Non utilizzare l'apparecchio fino a quando non è stato controllato da un tecnico certificato. Il mancato rispetto di queste istruzioni causerà rischi pericolosi per la vita.
- Non tentare mai di aprire l'alloggiamento dell'apparecchio da soli.
- Non inserire oggetti nell'alloggiamento dell'apparecchio.
- Non toccare la spina con le mani bagnate o umide.
-  **PERICOLO DI SCOSSE ELETTRICHE!** Non tentare di riparare l'apparecchio da solo, le riparazioni devono essere eseguite solo da personale qualificato.
- **Non utilizzare mai un apparecchio danneggiato!** Quando è danneggiato, scollegare l'apparecchio dalla presa e contattare il rivenditore.
- **AVVERTIMENTO!** Non immergere le parti elettriche dell'apparecchio in acqua o altri liquidi.
- Non tenere mai l'apparecchio sotto l'acqua corrente.
- Controllare regolarmente la spina e il cavo di alimentazione per eventuali danni. Se danneggiato, deve essere sostituito da un agente di servizio o da una persona altrettanto qualificata al fine di evitare pericoli o lesioni.
- Assicurarsi che il cavo non entri in contatto con oggetti appuntiti o caldi e tenerlo lontano dal fuoco aperto. Non tirare mai il cavo di alimentazione per scollegarlo dalla presa, staccare sempre la spina.
- Assicurarsi che il cavo di alimentazione e/o la prolunga non causino rischi di inciampare.
- Non lasciare mai l'apparecchio incustodito durante l'uso.
- **AVVERTIMENTO!** Finché la spina si trova nella presa, l'apparecchio è collegato alla fonte di alimentazione.
- Spegnerne l'apparecchio prima di scollegarlo dalla presa.
- Collegare la spina di alimentazione a una presa elettrica facilmente accessibile in modo che in caso di emergenza l'apparecchio possa essere scollegato immediatamente.
- Non portare mai l'apparecchio con il cavo.
- Non utilizzare dispositivi aggiuntivi non forniti insieme all'apparecchio.

- Collegare l'apparecchio a una presa elettrica solo con la tensione e la frequenza indicati sull'etichetta dell'apparecchio.
- Non utilizzare mai accessori diversi da quelli consigliati dal produttore. In caso contrario, potrebbe comportare un rischio per la sicurezza dell'utente e danneggiare l'apparecchio. Utilizzare solo parti e accessori originali.
- Questo apparecchio non deve essere utilizzato da persone con capacità fisiche, sensoriali o mentali ridotte o da persone che hanno una mancanza di esperienza e conoscenze.
- Questo apparecchio non deve, in nessun caso, essere utilizzato dai bambini.
- Tenere l'apparecchio e il suo cavo di alimentazione fuori dalla portata dei bambini.
- **ATTENZIONE:** spegnere SEMPRE l'apparecchio e scollegarlo dalla presa di corrente prima della pulizia, della manutenzione o della conservazione.

Norme speciali di sicurezza

- **LEGGERE ATTENTAMENTE** - La stufa a infrarossi è progettata per un funzionamento sicuro. Tuttavia, installazione, manutenzione e funzionamento della stufa possono comportare dei pericoli. L'osservanza delle seguenti procedure ridurrà il rischio di incendi, scosse elettriche, infortuni e ridurrà al minimo i tempi di installazione. Conservare queste istruzioni per un uso futuro.
- Estrarre l'unità dalla confezione e, prima dell'uso, verificare che sia in buone condizioni.
- Non lasciare che i bambini giochino con parti della confezione (come sacchetti di plastica).
- Questa stufa è calda quando è in uso. Per evitare ustioni, non lasciare che la pelle nuda tocchi superfici calde. Se in dotazione, utilizzare le maniglie quando si sposta questa stufa. Tenere i materiali combustibili, come mobili, cuscini, lenzuola, carta, vestiti e tende ad almeno 0,9 m (3 piedi) dalla parte anteriore della stufa e tenerli lontani dai lati e dal retro.
- Estrema cautela è necessaria quando la stufa viene utilizzata vicino a bambini o invalidi.
- Non utilizzare vicino o nelle immediate vicinanze di un bagno o di una piscina o di qualsiasi sorgente di liquido.
- Non inserire o consentire l'ingresso di oggetti estranei nelle aperture di ventilazione o di scarico, poiché ciò potrebbe causare scosse elettriche, incendi o danni alla stufa.
- Scollegare sempre la stufa quando non è in uso.
- Collegare solo a prese adeguatamente messe a terra.
- Collegare sempre le stufe direttamente a una presa. Per uso in ambiente esterno, non utilizzare mai con una prolunga o una ciabatta riposizionabile (presa/presa multipla).
- Non lasciare che il cavo sporga dal piano di lavoro, dove potrebbe essere facilmente tirato dai bambini.
- Non inserire le dita o oggetti estranei nella griglia durante il funzionamento.
- Non lasciare l'apparecchio incustodito durante l'uso.
- Questa stufa non è destinata all'uso in bagni, lavanderie e luoghi interni simili, non collocare mai la stufa in un punto in cui potrebbe cadere in una vasca da bagno o in un altro recipiente contenente acqua.



- Non azionare una stufa con un cavo o una spina danneggiati o se il dispositivo non funziona correttamente, è caduto o è stato danneggiato in qualsiasi modo. Scollegare l'alimentazione dalla presa e far ispezionare la stufa da un elettricista affidabile prima di riutilizzarla. Se il cavo di alimentazione è danneggiato in qualsiasi modo, deve essere sostituito dal produttore, da un suo tecnico di assistenza o da una persona similmente qualificata, per evitare rischi.
- Non far passare il cavo sotto la moquette. Non coprire il cavo con tappetini, runner o coperture simili. Non far passare il cavo sotto mobili o elettrodomestici. Far passare il cavo lontano dalle zone di passaggio e dove non vi si possa inciampare.
- Per prevenire il surriscaldamento di questo apparecchio, mantenere le prese d'aria e le uscite dell'aria pulite e prive di qualsiasi cosa che possa causare ostruzioni. Controllare di tanto in tanto tutti gli ingressi e le uscite per assicurarsi che siano privi di sporco o accumulo di polvere. **NON COPRIRE.**
- All'interno di una stufa sono presenti parti calde e soggette a formazione di archi elettrici o scintille. Non utilizzarlo in aree in cui vengono utilizzati o conservati benzina, vernici o liquidi infiammabili.
- I componenti della stufa possono superare 200° C, il contatto con la resistenza, il riflettore o parti metalliche vicino alla resistenza può causare gravi **USTIONI**. Per evitare ustioni, non lasciare che la pelle nuda tocchi la superficie calda.
- **NON** mettere **MAI** le mani sotto gli elementi riscaldanti. Far raffreddare **SEMPRE** l'elemento riscaldante per almeno 10 minuti prima di toccare la resistenza o le parti adiacenti.
- Questo prodotto contiene materiali riciclabili. Non smaltire questo prodotto come rifiuto urbano indifferenziato. Contattare il comune di residenza per il punto di raccolta più vicino.

IT

Uso previsto

- Il dispositivo è destinato all'uso professionale.
- L'apparecchio è progettato per il riscaldamento all'esterno e secondo rigide normative all'interno. L'uso del dispositivo per qualsiasi altro scopo può causare danni o lesioni.
- L'uso del dispositivo per qualsiasi altro scopo sarà considerato un uso improprio. L'utente sarà l'unico responsabile per l'uso scorretto del dispositivo.



Installazione di messa a terra

Questo apparecchio è classificato come **classe di protezione I** e deve essere collegato a un terreno di protezione. La messa a terra riduce il rischio di scosse elettriche fornendo un filo di fuga per la corrente elettrica. Questo apparecchio è dotato di

un cavo di alimentazione che ha un cavo di messa a terra e una spina messa a terra. La spina deve essere collegata a una presa correttamente installata e messa a terra.

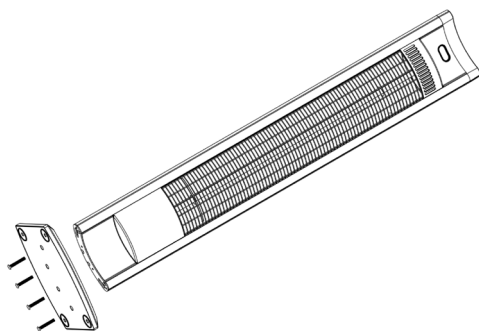
Introduzione

Le stufe a infrarossi in carbonio HENDI TORNADO producono un calore istantaneo e confortevole simile a quello del sole. Queste stufe robuste e resi-

stenti alle intemperie sono progettate per applicazioni di riscaldamento domestico e commerciale in aree interne ed esterne.

Installazione

1. Questa stufa deve essere installata da una persona competente, vale a dire un elettricista qualificato.
2. Scollegare sempre la stufa dalla rete elettrica e lasciarla raffreddare prima dell'installazione.
3. Tenere il cavo di alimentazione lontano dal corpo della stufa che si surriscalda durante l'uso.
4. Se la stufa deve essere utilizzata all'esterno, si consiglia una presa resistente alle intemperie.
5. Fissare saldamente la stufa alla piastra base utilizzando le viti in dotazione.



IT

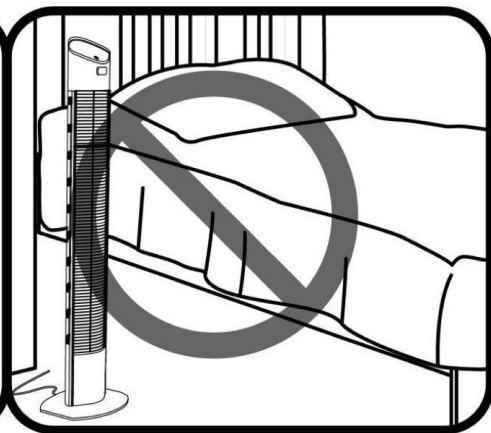


Avvertenza

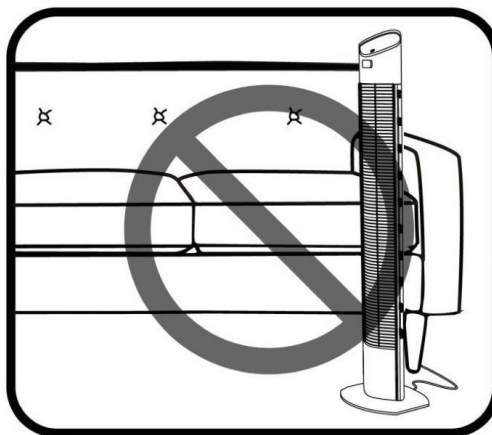
Per ridurre il rischio di incendio - 01



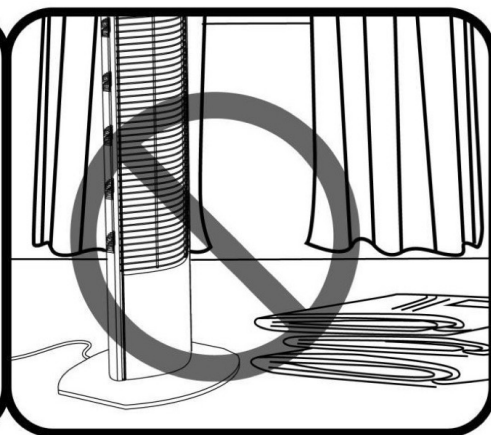
CAUTELA: Non coprire la stufa con oggetti come indumenti.



CAUTELA: Non posizionare la stufa vicino al letto.

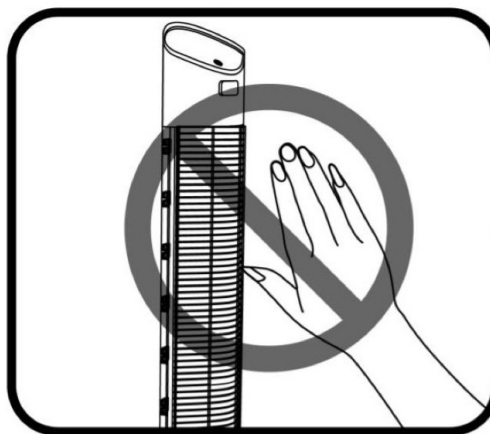


CAUTELA: Tenere mobili, documenti, vestiti, ecc. lontano dai lati e dal retro.

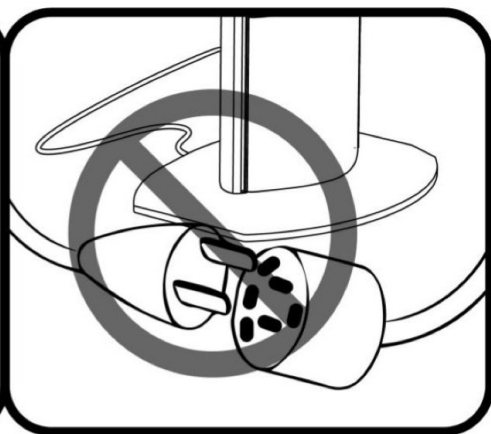


CAUTELA: Tenere i materiali combustibili, come mobili, cuscini, tende ad almeno 0,9 m (3 piedi) dalla parte anteriore della stufa e tenerli lontani dai lati e dal retro.

Per ridurre il rischio di incendio - 02



CAUTELA: Superficie calda, NON toccare.

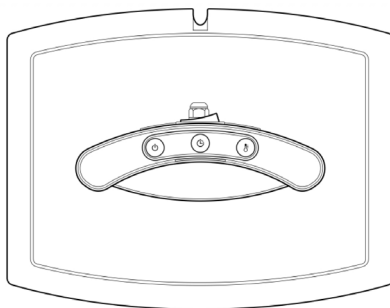


CAUTELA: NON utilizzare mai con una prolunga o una ciabatta riposizionabile (presa/presa multipla).

Messa in funzione

Funzione chiave del prodotto:

1. Accendere tramite il tasto di alimentazione, il prodotto è in modalità standby (- -);
2. Premere il pulsante del livello di riscaldamento: selezionare il livello di riscaldamento (L1 - L2 standby - spento)
3. Premere il pulsante timer: Per impostare il timer da 0H a 24H, che è il numero di ore di funzionamento. Viene visualizzato 0H e quindi si regola sul numero di ore che si desidera impostare.



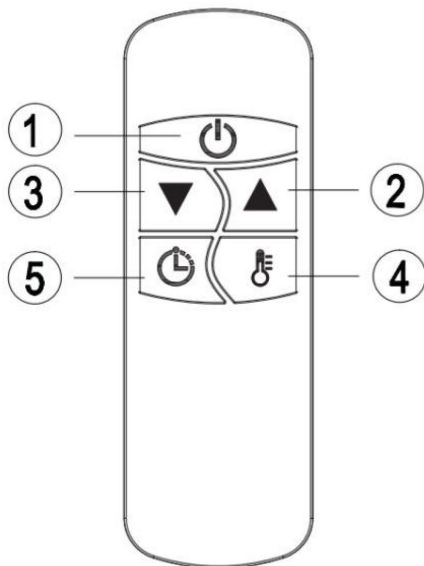
IT



Istruzioni per il telecomando

1. **PULSANTE DI ACCENSIONE:** Spegner la stufa.
2. **PULSANTE SU:** Aumenta il timer o il livello di potenza.
3. **PULSANTE GIÙ:** Diminuisce il timer o il livello di potenza.
4. **PULSANTE LIVELLO:** Utilizzarlo per regolare i livelli di calore (L1-L2). Premere il pulsante Livello, quindi utilizzare i pulsanti su e giù (pulsanti 2 e 3) per aumentare o ridurre il livello di riscaldamento.
5. **PULSANTE TIMER:** Per impostare il timer da 0H a 24H, che è il numero di ore di funzionamento. Viene visualizzato 0H e quindi si regola sul numero di ore che si desidera impostare, utilizzando i pulsanti su e giù (2 e 3).

Nota: Tutte le stufe e i loro telecomandi hanno la stessa frequenza, quindi è possibile controllare più stufe con un solo telecomando.



Inserimento delle batterie (non incluse)

- Inserire 2 batterie di tipo AAA/alcaline nel telecomando.
1. Capovolgere la parte posteriore del telecomando ed estrarre il coperchio del vano batteria. Inserire le batterie secondo le istruzioni e la polarità.
 2. Sostituire le batterie nello stesso modo illustrato sopra.

NOTA:

1. Sostituire le vecchie batterie con batterie dello stesso tipo. In caso contrario, la stufa potrebbe non funzionare correttamente.
2. In caso di lunghi periodi di inutilizzo, estrarre le batterie per evitare perdite che potrebbero danneggiare il telecomando.
3. Non permettere che acqua o liquidi penetrino nel telecomando.

CAUTELE

Quando si prevede che l'apparecchio non venga utilizzato per un lungo periodo di tempo, eseguire la pulizia o la manutenzione oppure, quando si cambia la posizione della stufa, questa deve essere spenta e scollegata dalla presa elettrica.

L'ispezione periodica e la rimozione di sporco e contaminanti assicureranno che le apparecchiature possano essere utilizzate in sicurezza.

Ricerca e risoluzione dei problemi

Se l'apparecchio non funziona correttamente, leggere la tabella qui sotto per trovare la soluzione corretta. Se non è possibile risolvere il problema, contattare il rivenditore.

1. Controllare se il cavo di alimentazione è collegato a una presa elettrica, in caso contrario, collegarlo.
2. Controllare se l'elettricità al fusibile principale funziona.
3. Il codice di errore viene visualizzato sul display.

Problema	Causa possibile	Soluzione
E1 Errore sul display	Surriscaldamento dell'unità di controllo.	Controllare le distanze di installazione.

In caso di dubbio contattare sempre il fornitore!

Pulizia e manutenzione

Manutenzione

ATTENZIONE! Un'attenta e regolare manutenzione della stufa, tenendo conto delle nostre istruzioni, ricopre grande importanza per ottenere un funzionamento efficiente e a lungo dell'apparecchio.

1. Controllare se è presente sporco sul riflettore e sul filamento IR, almeno una volta al mese. Se necessario, applicare le istruzioni di pulizia e manutenzione.
2. Il numero dei controlli può essere aumentato in considerazione della quantità di polvere presente nell'ambiente.

Pulizia

• Una pulizia regolare e accurata fa sì che la stufa a infrarossi funzioni in modo efficiente per molti anni senza problemi. Per pulire la stufa applicare la procedura seguente:

1. Scollegare il cavo di alimentazione per la propria sicurezza prima di pulire l'apparecchio.
2. Assicurarsi che la stufa sia fredda prima di continuare.
3. Per mantenere pulita la stufa, è possibile pulire l'involucro esterno con un panno morbido e umido. Se necessario, è possibile usare un detersivo delicato. Dopo la pulizia, asciugare l'unità con un panno morbido. (ATTENZIONE: NON far entrare liquidi nella stufa).

3. Controllare visivamente la deformazione del riflettore, del filo e del telaio durante la pulizia dell'apparecchio. In caso di deformazione, consultare l'assistenza tecnica.
4. Controllare visivamente il cavo di alimentazione e la spina durante la pulizia dell'apparecchio. In caso di deformazione, consultare l'assistenza tecnica.

4. NON utilizzare alcol, benzina, polveri abrasive, lucidanti per mobili o spazzole ruvide per pulire la stufa. Ciò potrebbe causare danni o deterioramento alla superficie della stufa.
5. NON immergere la stufa in acqua
6. Attendere che la stufa sia completamente asciutta prima dell'uso.

Conservazione: Conservare la stufa in un luogo fresco e asciutto, quando non è in uso, per evitare l'accumulo di polvere e sporco. Utilizzare la scatola di imballaggio per conservarla.



ATTENZIONE

1. Scollegare sempre la stufa dalla rete elettrica e lasciarla raffreddare prima di accingersi a lavorarci.
2. Se la stufa ha raccolto polvere o sporco all'interno dell'unità o attorno all'elemento riscaldante, far pulire l'unità da un addetto all'assistenza qualificato. Non azionare la stufa in queste condizioni.
3. L'unica manutenzione richiesta è la pulizia delle superfici esterne della stufa.
4. Non toccare l'elemento riscaldante a dita nude, poiché residui lasciati dalla mano potrebbero influire sulla durata della lampada. Se viene toccata accidentalmente, rimuovere i segni delle dita con un panno morbido inumidito con alcol mentolato o alcol.
5. Non tentare di riparare o regolare alcuna funzione elettrica o meccanica su questa stufa.
6. La stufa non contiene parti riparabili dall'utente. Se il prodotto subisce danni o guasti, deve essere restituito al produttore o al suo agente di assistenza.
7. I cavi di alimentazione danneggiati devono essere sostituiti dal produttore, da un tecnico di assistenza o da una persona similmente qualificata, per evitare rischi.

Caratteristiche tecniche

Numero del prodotto: 272435

Tensione e frequenza: 220-240V~ 50/60Hz

Consumo di energia: 2000 W

Classe di protezione: Classe I

Resistenza all'acqua: IP44

Dimensioni: 174x69x(H)1058 mm

Peso netto : 6 kg circa

Le specifiche possono essere modificate senza preavviso.

Garanzia

Qualsiasi difetto che influenza la funzionalità del dispositivo che compaia entro un anno dall'acquisto sarà corretto a titolo interamente gratuito o con la sostituzione del prodotto che è stato utilizzato e sottoposto a manutenzione corretta seguendo le istruzioni, senza alcuna violazione. I diritti legali del cliente non sono assolutamente modificati. Nel caso in cui l'intervento di manutenzione o sostitu-

zione sia previsto nel periodo di validità della garanzia, precisare dove e quando si è acquistato il prodotto, possibilmente allegando lo scontrino.

In linea con la nostra politica di sviluppo continuo dei prodotti, ci riserviamo il diritto di modificare il prodotto, l'imballo e le specifiche di documentazione, senza notifica alcuna.

Smaltimento e protezione dell'ambiente

In caso di ritiro dell'apparecchiatura dal funzionamento il prodotto non può essere smaltito con altri rifiuti domestici. L'utente è responsabile della consegna dell'attrezzatura al punto di raccolta appropriato per l'attrezzatura usata. Il mancato rispetto delle disposizioni sopramenzionate può comportare l'imposizione di sanzioni in conformità con le normative vigenti in materia di smaltimento dei rifiuti. La raccolta e il riciclaggio selettivi di attrezzature usate contribuiscono alla conservazione delle risorse naturali e garantiscono il riciclaggio

in modo tale da non nuocere alla salute e all'ambiente.

Per ulteriori informazioni sui luoghi di smaltimento delle apparecchiature usate per il riciclaggio, contattare la società locale di raccolta dei rifiuti. Il produttore e l'importatore non sono responsabili per il riciclaggio e il trattamento dei rifiuti in modo ecologico, sia direttamente che nel quadro del sistema pubblico.

Stimate client,

Vă mulțumim pentru achiziționarea acestui aparat HENDI. Citiți cu atenție acest manual, acordând o atenție deosebită reglementărilor de siguranță prezentate mai jos, înainte de a instala și utiliza acest aparat pentru prima dată.

Regulile de siguranță

- Acest aparat este destinat numai pentru uz comercial.
- Utilizați aparatul numai în scopul pentru care a fost proiectat conform descrierii din acest manual.
- Producătorul nu este răspunzător pentru nici o deteriorare cauzată de funcționarea incorectă și de utilizarea necorespunzătoare.
- Păstrați aparatul și ștecherul departe de apă și de alte lichide. În cazul în care aparatul cade în apă, scoateți imediat ștecherul de alimentare din priză. Nu utilizați aparatul înainte de verificarea acestuia de către un tehnician certificat. Nerespectarea acestor instrucțiuni va cauza riscuri care pun viața în pericol.
- Nu încercați niciodată să deschideți singur carcasa aparatului.
- Nu introduceți obiecte în carcasa aparatului.
- Nu atingeți ștecherul cu mâinile umede sau umede.
- ⚠ **PERICOL DE ȘOC ELECTRIC!** Nu încercați să reparați singur aparatul, reparațiile trebuie efectuate numai de personal calificat.
- **Nu folosiți niciodată un aparat deteriorat!** Când este deteriorat, deconectați aparatul de la priză și contactați distribuitorul.
- **AVERTISMENT!** Nu scufundați părțile electrice ale aparatului în apă sau alte lichide.
- Nu țineți niciodată aparatul sub jet de apă.
- Verificați cu regularitate ștecherul și cablul de alimentare pentru orice deteriorare. În cazul deteriorării, acesta trebuie înlocuit de un agent de service sau de o persoană calificată în mod similar, pentru a evita pericolul sau rănirea.
- Asigurați-vă că cablul nu intră în contact cu obiecte ascuțite sau fierbinți și păstrați-l departe de focul deschis. Nu trageți niciodată cablul de alimentare pentru a-l deconecta de la priză, trageți întotdeauna ștecherul în schimb.
- Asigurați-vă că cablul de alimentare și/sau cablul prelungitor nu provoacă pericol de deplasare.
- Nu lăsați niciodată aparatul nesupravegheat în timpul utilizării.
- **AVERTISMENT!** Atâta timp cât ștecherul este în priză, aparatul este conectat la sursa de alimentare.
- Opriți aparatul înainte de a-l deconecta de la priză.
- Conectați ștecherul la o priză electrică ușor accesibilă, astfel încât, în caz de urgență, aparatul să poată fi deconectat imediat.
- Nu purtați niciodată aparatul de cablu.
- Nu utilizați dispozitive suplimentare care nu sunt furnizate împreună cu aparatul.

RO



- Conectați aparatul numai la o priză electrică cu tensiunea și frecvența menționate pe eticheta aparatului.
- Nu folosiți niciodată alte accesorii decât cele recomandate de producător. Nerespectarea acestui lucru ar putea reprezenta un risc de siguranță pentru utilizator și ar putea deteriora aparatul. Utilizați numai piese originale și accesorii.
- Acest aparat nu trebuie operat de persoane cu capacități fizice, senzoriale sau mentale reduse sau de persoane care au o lipsă de experiență și cunoștințe.
- Acest aparat nu ar trebui, în nici un caz, să fie utilizat de copii.
- Nu lăsați aparatul și cablul de alimentare la îndemâna copiilor.
- **AVERTISMENT:** Opriti întotdeauna aparatul și deconectați de la priză înainte de curățare, întreținere sau depozitare.

Regulamente speciale de siguranță

- **CITIȚI CU ATENȚIE** – Radiatorul cu infraroșu este proiectat pentru funcționare în siguranță. Cu toate acestea, instalarea, întreținerea și funcționarea radiatorului pot fi periculoase. Respectarea următoarelor proceduri va reduce riscul de incendiu, electrocutare sau vătămare a persoanelor și va reduce timpul de instalare la minim. Păstrați aceste instrucțiuni pentru utilizare ulterioară.
- Scoateți unitatea din ambalaj și verificați dacă este în stare bună înainte de utilizare.
- Nu lăsați copiii să se joace cu părți din ambalaj (cum ar fi pungi de plastic).
- Acest radiator este fierbinte când este utilizat. Pentru a evita arsurile, nu atingeți suprafețele fierbinți direct cu mâna. Dacă este prevăzut, mutați radiatorul folosind mânerul. Țineți materialele combustibile, cum ar fi mobilierul, pernele, lenjeria de pat, hârtiile, hainele și draperiile la cel puțin 0,9 m de partea din față a radiatorului și departe de părțile laterale și din spate.
- Este necesară prudență extremă atunci când radiatorul este utilizat lângă copii sau persoane invalide.
- Nu utilizați în apropierea sau în imediata vecinătate a unei băi sau piscine sau a oricărei surse de lichid.
- Nu introduceți și nu lăsați obiecte străine să pătrundă în orice orificiu de ventilație sau evacuare, deoarece acest lucru poate provoca electrocutare, incendiu sau deteriorarea radiatorului.
- Deconectați întotdeauna radiatorul de la priză când nu îl utilizați.
- Conectați doar la prize cu împământare corespunzătoare.
- Conectați întotdeauna radiatoarele direct la o priză de perete. Pentru utilizare la exterior, nu utilizați niciodată cu un prelungitor sau o derivație mobilă (priză/multipriză).
- Nu lăsați cablul să atârne, deoarece poate fi tras cu ușurință de copii.
- Nu introduceți degetele sau obiecte străine în grilă în timpul funcționării.
- Nu lăsați aparatul nesupravegheat atunci când este utilizat.
- Acest radiator nu este destinat utilizării în băi, spălătorii sau în alte locații interioare similare, nu puneți niciodată radiatorul în locuri de unde ar putea cădea într-o cadă sau într-un alt recipient cu apă.

- Nu utilizați niciun radiator cu un cablu sau un ștecher deteriorat sau după ce radiatorul se defectează, a fost scăpat sau deteriorat în vreun fel. Deconectați alimentarea de la priză și solicitați o inspecție de către un electrician autorizat înainte de reutilizare. Dacă cablul de alimentare este deteriorat în vreun fel, acesta trebuie înlocuit de producător sau de agentul său de service sau de o persoană calificată similar pentru a evita un pericol.
- Nu treceți cablul sub covor. Nu acoperiți cablul cu covoare, preșuri sau altele similare. Nu treceți cablul pe sub mobilă sau electrocasnice. Aranjați cablul departe de zona de trafic și unde nimeni nu se va împiedica.
- Pentru a preveni supraîncălzirea acestui aparat, păstrați orificiile de admisie și evacuare a aerului curate și fără orice obiect care le poate bloca. Verificați din când în când toate admisiile și evacuările pentru a vă asigura că nu există murdărie sau praf. **NU ACOPERIȚI.**
- Un radiator are în interior piese fierbinți și care fac arc sau scânteii. Nu îl utilizați în zonele în care sunt folosite sau depozitate benzină, vopsea sau lichide inflamabile.
- Unele părți ale radiatorului pot depăși 200°C, contactul cu tubul de încălzire, reflectorul sau piesele metalice din apropierea tubului de încălzire poate provoca ARSURI grave. Pentru a evita arsurile, nu atingeți suprafețele fierbinți direct cu mâna.
- **NU puneți NICIODATĂ** mâinile sub elementele de încălzire. **ÎNTOTDEAUNA** lăsați elementul de încălzire să se răcească cel puțin 10 minute înainte de a atinge tubul de încălzire sau părțile adiacente.
- Acest produs conține materiale reciclabile. Nu aruncați acest produs ca deșeuri municipale nesortate. Vă rugăm să contactați municipalitatea locală pentru cel mai apropiat punct de colectare.

Utilizare preconizată

- Acesta este un aparat de uz profesional.
- Aparatul este proiectat pentru încălzire la exterior și sub reglementări stricte, la interior. Orice altă utilizare poate provoca avarierea aparatului sau accidentarea persoanelor.
- Utilizarea aparatului în orice alt scop reprezintă o utilizare incorectă. Utilizatorul este singurul răspunzător de orice utilizare incorectă a aparatului.

Instalare împământare

Acest aparat este clasificat ca **clasa de protecție I** și trebuie conectat la un sol de protecție. Împământarea reduce riscul de șoc electric prin furnizarea unui cablu de evacuare pentru curentul

electric. Acest aparat este echipat cu un cablu de alimentare care are un fir de împământare și ștecher cu împământare. Ștecherul trebuie conectat la o priză instalată și împământată corespunzător.



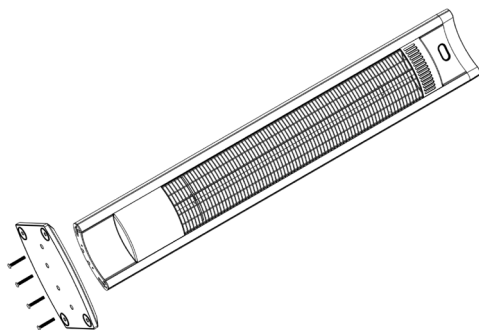
Introducere

Radiatoarele infraroșu cu carbon HENDI TORNADO produc căldură instantanee, confortabilă precum soarele. Aceste radiatoare robuste și rezistente la

intemperii sunt proiectate pentru aplicații de încălzire casnică și comercială în zone interioare și exterioare.

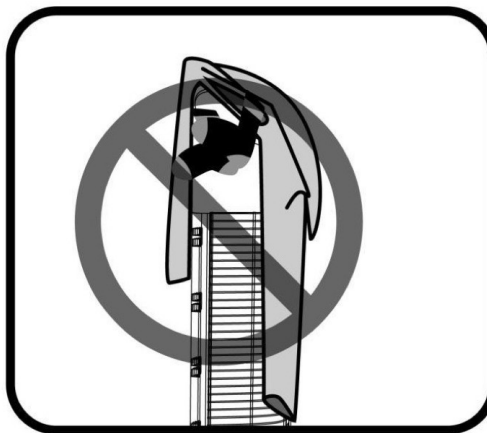
Instalare

1. Acest radiator trebuie instalat de personal competent, cum ar fi electricieni calificați.
2. Deconectați întotdeauna radiatorul de la sursa de alimentare electrică și lăsați-l să se răcească înainte de instalare.
3. Țineți cablul de alimentare departe de corpul radiatorului deoarece acesta se va încălzi în timpul utilizării.
4. Dacă radiatorul urmează să fie folosit în exterior, se recomandă o priză rezistentă la intemperii.
5. Fixați bine radiatorul pe placa suport, folosind șuruburile furnizate.

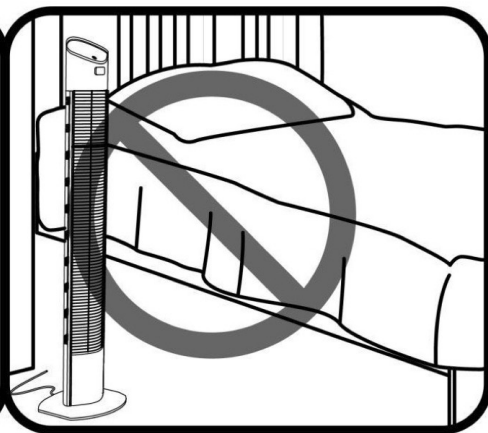


Avertisment

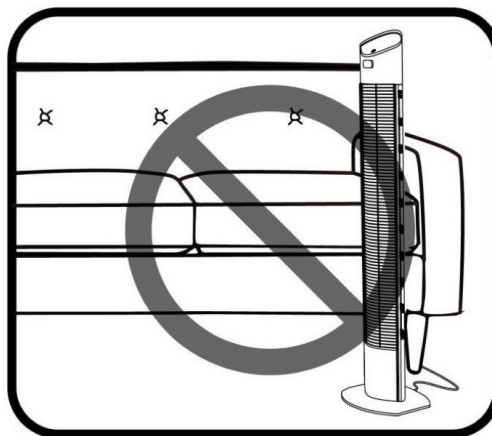
Pentru a reduce riscul de incendiu - 01



PRUDENȚĂ: Nu acoperiți radiatorul cu obiecte, cum ar fi haine.



PRUDENȚĂ: Nu așezați radiatorul lângă pat.



PRUDENȚĂ: Prudență: Țineți mobila, hârtia, hainele etc. departe de părțile laterale și de spatele aparatului.

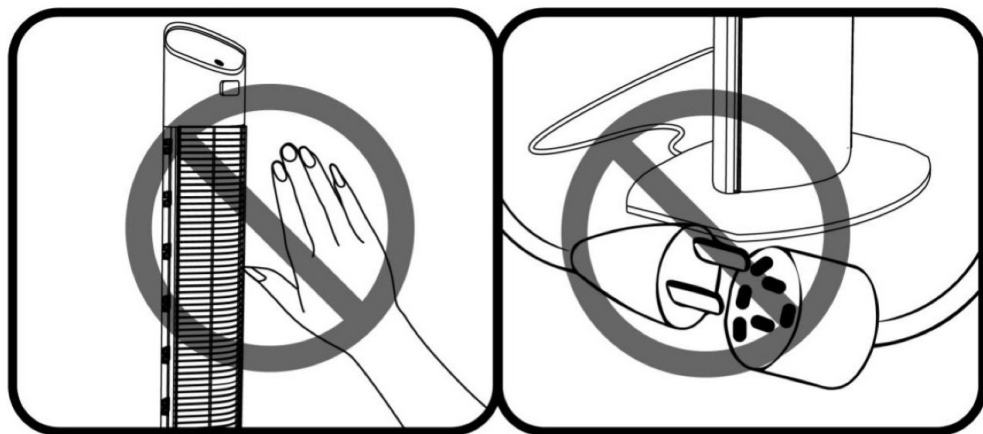


PRUDENȚĂ: Țineți materialele combustibile, cum ar fi mobilierul, pernele și draperiile la cel puțin 0,9 m de partea din față a radiatorului și departe de părțile laterale și din spate.

RO



Pentru a reduce riscul de incendiu - 02



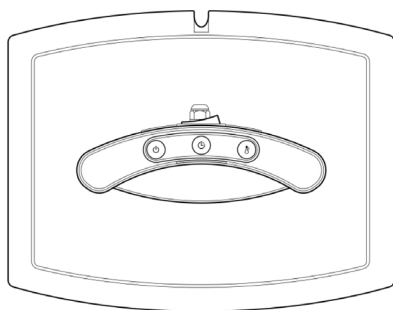
PRUDENȚĂ: Suprafața fierbinte, NU atingeți.

PRUDENȚĂ: NU utilizați niciodată cu un prelungitor sau o derivație mobilă (priză/multipriză).

Operare

Funcția butoanelor:

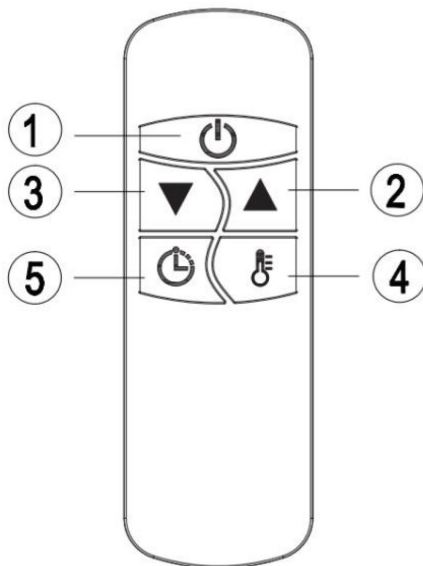
1. Apăsați butonul de alimentare; produsul intră în modul așteptare, afișând (- -);
2. Apăsați butonul pentru setarea nivelului de încălzire: selectați nivelul de încălzire (L1-L2 așteptare - oprit)
3. Apăsați butonul pentru temporizare: Se va seta temporizarea de la 0H-24H, adică numărul de ore pentru care acesta va funcționa. Se va afișa 0H și apoi se va seta numărul de ore dorit.



Instrucțiuni de control de la distanță

1. **BUTONUL PORNIRE:** Opriți radiatorul.
2. **BUTONUL SUS:** Creșteți timpul sau nivelul de putere.
3. **BUTONUL JOS:** Reducerea timpului sau nivelului de putere.
4. **BUTONUL DE NIVEL:** Utilizați pentru a regla nivelurile de căldură (L1-L2). Apăsați butonul Nivel, apoi utilizați butoanele sus și jos (butoanele 2 și 3) pentru a crește sau a reduce nivelul de încălzire.
5. **BUTONUL TEMPORIZARE:** Se va seta temporizarea de la 0H-24H, adică numărul de ore pentru care acesta va funcționa. Se va afișa 0H și apoi se va seta numărul de ore dorit, cu ajutorul butoanelor sus și jos (2 și 3).

Notat: Toate radiatoarele și telecomenzile lor au aceeași frecvență, astfel încât este posibil să controlați mai multe radiatoare cu o singură telecomandă.



Introducerea bateriilor (nu este inclus)

- Introduceți 2 baterii de tip AAA/alkaline în telecomandă.
1. Întoarceți partea din spate a telecomenzii și scoateți capacul bateriei. Introduceți bateriile în conformitate cu instrucțiunile și polaritatea bateriilor.
 2. Schimbați bateriile în același mod descris mai sus.

NOTĂ:

1. Înlocuiți bateriile vechi cu baterii de același tip. În caz contrar, este posibil ca radiatorul dumneavoastră să nu funcționeze bine.
2. Scoateți bateriile în cazul unei perioade lungi de neutilizare pentru a preveni scurgerile care vă pot afecta telecomanda.
3. Evitați ca apa sau lichidele să pătrundă în telecomandă.

PRUDENȚĂ

Când aparatul nu este utilizat pentru o perioadă lungă de timp, se efectuează curățarea sau întreținerea sau când se schimbă locația radiatorului, acesta trebuie oprit și deconectat de la priză.

Inspekția periodică și îndepărtarea murdăriei și a contaminanților va asigura că echipamentul poate fi operat în siguranță.

RO



Depanare

Dacă aparatul nu funcționează corespunzător, consultați tabelul de mai jos pentru a găsi soluția. Vă rugăm contactați distribuitorul/agentul de service în cazul în care problema nu poate fi rezolvată.

1. Verificați dacă cablul de alimentare este conectat la o priză, dacă nu, conectați-l.
2. Verificați dacă alimentarea până la siguranța principală este funcțională.
3. Codul de eroare este indicat pe afișaj.

Problemă	Cauza posibilă	Soluție
E1 Eroare pe afișaj	Supraîncălzirea unității de control.	Verificați distanța față de alte obiecte.

Dacă aveți dubii, contactați întotdeauna furnizorul dumneavoastră!

Curățarea și întreținerea

Întreținere

ATENȚIE! Întreținerea atentă și regulată a radiatorului dumneavoastră, luând în considerare instrucțiunile noastre, are o importanță deosebită pentru a obține o funcționare eficientă îndelungată a aparatului dumneavoastră.

1. Verificați murdăria reflectorului și a filamentului IR cel puțin o dată pe lună. Dacă este necesar, urmați instrucțiunile de curățare și întreținere.

2. Numărul de verificări poate fi crescut ținând cont de cantitatea de praf din mediu.
3. Inspectați vizual deformarea reflectorului, a firului și a cadrului în timp ce curățați aparatul. În caz de deformare, consultați serviciul tehnic.
4. Inspectați vizual cablul de alimentare și ștecherul în timp ce curățați aparatul. În caz de deformare, consultați serviciul tehnic.

RO

Curățare

• Curățarea regulată și atentă ajută radiatorul dumneavoastră cu infraroșu să funcționeze eficient, fără probleme, pentru mulți ani. Pentru a curăța radiatorul, urmați pașii de mai jos:

1. Deconectați cablul de alimentare pentru siguranța dumneavoastră înainte de a vă curăța aparatul.
2. Asigurați-vă că radiatorul este rece înainte de a continua.
3. Pentru a menține radiatorul curat, carcasa exterioră poate fi curățată cu o cârpă moale și umedă. Dacă este necesar, puteți folosi un detergent blând. După curățare, uscați unitatea cu o cârpă moale. (PRUDENȚĂ: NU lăsați lichide să intre în radiator).

4. NU folosiți alcool, benzină, pulberi abrazive, lustruire pentru mobilier sau perii aspre pentru a curăța radiatorul. Acest lucru poate cauza deteriorarea sau deteriorarea suprafeței radiatorului.
5. NU scufundați radiatorul în apă
6. Așteptați până când radiatorul este complet uscat înainte de utilizare.

Depozitare: Depozitați radiatorul într-un loc răcoros și uscat atunci când nu este utilizat pentru a preveni acumularea de praf și murdărie. A se depozita în ambalaj de carton.



ATENȚIE

1. Deconectați întotdeauna radiatorul de la sursa de alimentare și lăsați-l să se răcească înainte de a lucra.
2. Dacă radiatorul a adunat praf sau murdărie în interiorul unității sau în jurul elementului de încălzire, unitatea trebuie curățată de personal calificat. Nu utilizați radiatorul în această stare.
3. Singura întreținere necesară este curățarea suprafețelor exterioare ale radiatorului.
4. Nu atingeți elementul de încălzire cu degetele neprotejate, deoarece reziduurile de pe mână ar putea afecta durata de viață a lămpii. Dacă acesta este atins accidental, îndepărtați urmele degetelor cu o cârpă moale umezită cu alcool.
5. Nu încercați să reparați sau să reglați nicio funcție electrică sau mecanică a acestui radiator.
6. Radiatorul nu conține piese care pot fi reparate de utilizator. În cazul în care produsul suferă deteriorări sau defecțiuni, acesta trebuie returnat producătorului sau agentului său de service.
7. Cablurile de alimentare deteriorate trebuie înlocuite de către producător, agentul de service sau o persoană calificată similar pentru a evita pericolul.

Specificația tehnică

Articol nr.: 272435

Tensiune și frecvență de funcționare: 220-240V-50/60Hz

Puterea nominală de intrare: 2000 W

Clasa de protecție: Clasa I

Clasa de protecție contra apei: IP44

Dimensiune: 174x69x(H)1058 mm

Greutate netă : aprox. 6 kg

Observație: Specificația tehnică poate fi modificată fără preaviz.

Garanție

Orice defecțiune care afectează funcționarea aparatului apărută la mai puțin de un an de la cum-părarea acestuia va fi remediată prin reparație sau înlocuire gratuită, cu condiția ca aparatul să fi fost folosit și întreținut conform instrucțiunilor nu să nu fi fost bruscat sau folosit necorespunzător în vreun fel. Drepturile dumneavoastră legale nu sunt afec-

tate. Dacă aparatul este în garanție, menționați când și de unde a fost cumpărat și includeți dovada cumpărării (de ex. chitanța).

Conform politicii noastre de dezvoltare continuă a produsului, ne rezervăm dreptul de a modifica produsul, ambalajul și documentația fără notificare.

Eliminarea și mediul înconjurător

La dezafectarea aparatului, produsul nu trebuie aruncat împreună cu alte deșeuri menajere. În schimb, este responsabilitatea dumneavoastră să eliminați echipamentul uzat prin predarea acestuia la un punct de colectare desemnat. Nerespectarea acestei reguli poate fi penalizată în conformitate cu reglementările aplicabile privind eliminarea deșeurilor. Colectarea separată și reciclarea echipamentului dumneavoastră uzat la momentul debarasării contribuie la conservarea resurselor naturale și

asigură realizarea reciclării într-un mod care protejează sănătatea ființelor umane și a mediului. Pentru informații suplimentare privind modul în care puteți preda deșeurile dumneavoastră în scopul reciclării, vă rugăm să contactați compania locală de colectare a deșeurilor. Producătorii și importatorii nu își asumă responsabilitatea cu privire la reciclarea, tratarea și eliminarea ecologică a deșeurilor, fie direct, fie prin intermediul unui sistem public.



Благодарим Вас за покупку этого устройства Hendi. Внимательно прочитайте это руководство, обращая особое внимание на правила безопасности, изложенные ниже, перед установкой и использованием этого устройства в первый раз.

Правила безопасности

- Это оборудование предназначено только для коммерческого использования.
- Используйте прибор только по назначению, для которого он был разработан, как описано в данном руководстве.
- Изготовитель не несет ответственности за любой ущерб, вызванный неправильной работой и неправильным использованием.
- Держите прибор и электрическую вилку подальше от воды и других жидкостей. В случае, если прибор попадает в воду, немедленно снимите вилку питания с розетки. Не используйте устройство до тех пор, пока оно не будет проверено сертифицированным техническим специалистом. Несоблюдение этих инструкций приведет к угрожающей жизни опасности.
- Никогда не пытайтесь открыть корпус прибора самостоятельно.
- Не вставляйте объекты в корпус прибора.
- Не прикасайтесь к вилке мокрыми или влажными руками.
-  **ОПАСНОСТЬ ПОРАЖЕНИЯ ЭЛЕКТРИЧЕСКИМ ТОКОМ!** Не пытайтесь самостоятельно отремонтировать прибор, ремонт должен проводиться только квалифицированный персонал.
- **Никогда не используйте поврежденный прибор!** Когда устройство повреждено, отсоедините устройство от розетки и обратитесь к продавцу.
- **ПРЕДУПРЕЖДЕНИЕ!** Не погружайте электрические части прибора в воду или другие жидкости.
- Никогда не удерживайте прибор под проточной водой.
- Регулярно проверяйте штекер питания и шнур на наличие повреждений. В случае повреждения его необходимо заменить сервисным агентом или лицом, имеющим аналогичную квалификацию, с тем чтобы избежать опасности или травм.
- Убедитесь, что шнур не соприкасается с острыми или горячими предметами и держите его подальше от открытого огня. Никогда не тяните шнур питания, чтобы отсоединить его от розетки, всегда тяните вилку вместо нее.
- Убедитесь, что шнур питания и/или удлинитель не вызывают опасности аварии.
- Никогда не оставляйте прибор без присмотра во время использования.
- **ПРЕДУПРЕЖДЕНИЕ!** Пока штекер находится в розетке, прибор подключается к источнику питания.
- Выключите устройство, прежде чем отсоединить его от розетки.
- Подключите вилку питания к легкодоступной электрической розетке, чтобы в случае аварийной ситуации устройство можно было немедленно отключить.
- Никогда не носите прибор за шнур.

- Не используйте дополнительные устройства, которые не поставляются вместе с устройством.
- Подключите прибор только к электрической розетке с напряжением и частотой, указанными на этикетке устройства.
- Никогда не используйте аксессуары, кроме тех, которые рекомендованы производителем. Невыполнение этого требования может представлять опасность для безопасности пользователя и привести к повреждению устройства. Используйте только оригинальные детали и аксессуары.
- Этот прибор не должен эксплуатироваться лицами с ограниченными физическими, сенсорными или умственными возможностями, или лицами, не имеющими опыта и знаний.
- Этот прибор ни при каких обстоятельствах не должен использоваться детьми.
- Держите устройство и его шнур питания в недоступном для детей месте.
- **ПРЕДУПРЕЖДЕНИЕ:** ВСЕГДА выключите устройство и отключите розетку от розетки перед очисткой, обслуживанием или хранением.

Специальные правила безопасности

- **ВНИМАТЕЛЬНО ПРОЧТИТЕ ИНСТРУКЦИЮ.** Конструкция инфракрасного обогревателя предусматривает безопасную эксплуатацию. При этом установка, техническое обслуживание и эксплуатация обогревателя могут быть опасными. Соблюдение нижеприведенных процедур снизит риск возгорания, поражения электрическим током, травмирования людей, а также сведет к минимуму время монтажа. Сохраните данную инструкцию для последующего использования.
- Перед началом использования извлеките модуль из упаковки и проверьте, чтобы убедиться в его исправности.
- Не позволяйте детям играть с частями упаковки (такими как пластиковые пакеты).
- Поверхность данного обогревателя становится горячей во время использования. Во избежание ожогов не касайтесь незащищенной кожей горячих поверхностей. При перемещении обогревателя используйте ручки при их наличии. Держите горючие материалы, такие как мебель, подушки, постельные принадлежности, бумагу, одежду и шторы на расстоянии минимум 3 футов (0,9 м) от передней стороны обогревателя, а также держите их в стороне от задней и боковых поверхностей.
- Необходимо соблюдать особую осторожность при использовании обогревателя вблизи детей или инвалидов.
- Не допускается использование обогревателя вблизи или в непосредственной близости от ванны или бассейна, или любого другого источника жидкости.
- Не помещайте и не допускайте попадание инородных предметов в любое вентиляционное или выпускное отверстие, поскольку это может привести к поражению электрическим током, возгоранию или повреждению обогревателя.
- Всегда отключайте обогреватель от розетки, когда он не используется.
- Подключайте обогреватель только к розеткам, имеющим должное заземление.



- Всегда подключайте обогреватель непосредственно к стеновой розетке. Не допускается подключение через удлинитель или переносную розетку (разветвитель) при использовании вне помещений.
- Не допускайте свисание шнура питания со стола, при котором за него легко смогут потянуть дети.
- Не помещайте пальцы или инородные тела между прутьями решетки во время работы обогревателя.
- Не оставляйте прибор без присмотра во время использования.
- Данный обогреватель не предназначен для использования в санузлах, прачечных и аналогичных помещениях, не допускается помещение обогревателя в таких местах, откуда он может упасть в ванну или иную емкость с водой.
- Не допускается эксплуатация обогревателя с поврежденным шнуром питания или штепселя, или при наличии неисправности обогревателя, после его падения или повреждения иным способом. Отключите питание на электрическом щитке, после чего вызовите квалифицированного электрика для осмотра прибора перед возобновлением его использования. Если шнур питания поврежден каким-либо образом, необходимо, чтобы его заменил изготовитель, или его сервис-агент, или аналогичное квалифицированное лицо во избежание потенциального риска.
- Не пропускайте шнур питания под коврами. Не накрывайте шнур питания ковровыми дорожками или аналогичными материалами. Не пропускайте шнур питания под мебелью или бытовыми приборами. Не размещайте шнур питания на проходах для предотвращения спотыкания об него.
- Для предотвращения перегрева данного прибора следите, чтобы впускные и выпускные отверстия были чистыми и свободными от каких-либо предметов, которые могут их заблокировать. Время от времени проверяйте все впускные и выпускные отверстия, чтобы обеспечить отсутствие в них скопления пыли. **НЕ ДОПУСКАЕТСЯ НАКРЫВАНИЕ.**
- Внутри обогревателя находятся горячие и искрящие детали. Не допускается использование в местах, где используются или хранятся бензин, краска или воспламеняемые жидкости.
- Температура деталей обогревателя может превышать 200°C, контакт с нагревательной трубой, рефлектором или металлическими частями вблизи нагревательной трубы может вызвать сильные ОЖОГИ. Во избежание ожогов не касайтесь незащищенной кожей горячих поверхностей.
- **НЕ ДОПУСКАЕТСЯ** помещение рук под нагревательными элементами. Касаться нагревательных элементов и ближайших к ним деталей можно **ТОЛЬКО** после их остывания в течение 10 минут.
- Данное изделие содержит материалы, пригодные для вторичной переработки. Не допускается утилизация данного изделия вместе несортированными бытовыми отходами. Пожалуйста, узнайте в местной администрации ближайший пункт приема.

Предполагаемое использование

- Устройство предназначено для профессионального использования.
- Прибор предназначен для обогрева вне помещений и, с соблюдением строгих нормативов, внутри помещений. Использование устройства для любых других целей может привести к повреждению или травме тела.
- Использование устройства для любых других целей будет рассматриваться, как использование не по назначению. Пользователь будет нести исключительную ответственность за неправильное использование устройства.

Установка заземления

Этот прибор относится к **классу защиты I** и должен быть подключен к защитному грунту. Заземление снижает риск поражения электрическим током, обеспечивая выход провода для электрического тока. Этот прибор оснащен шнуром пи-

тания с заземляющим проводом и заземленной штепсельной вилкой. Вилка должна быть подключена к розетке, которая правильно установлена и заземлена.

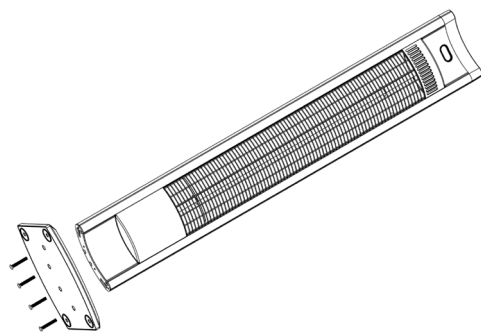
Введение

Карбоновые инфракрасные обогреватели HENDI TORNADO мгновенно производят комфортное тепло, как от солнца. Данные надежные и всепогодные обогреватели предназначены для быто-

вого и коммерческого применения для обогрева внутри помещений и вне помещений.

Монтаж

1. Данный нагреватель должен быть установлен компетентным лицом, т.е. квалифицированным электриком.
2. Всегда отключайте нагреватель от электропитания и давайте ему остыть перед началом установки.
3. Не допускайте попадания шнура питания в корпус нагревателя, в противном случае он станет горячим во время использования.
4. Если нагреватель будет использоваться вне помещений, рекомендуется использование всепогодного выпускного отверстия.
5. Надежно закрепите обогреватель на плите основания с помощью прилагаемых винтов.

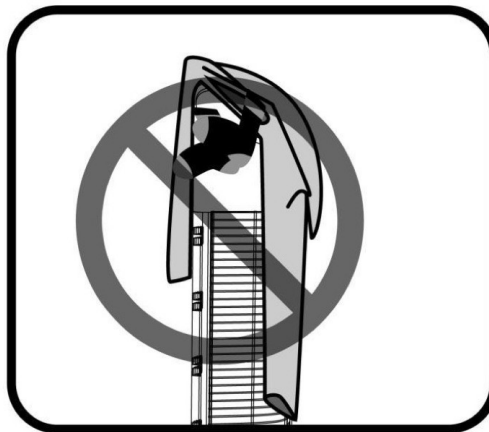


RU

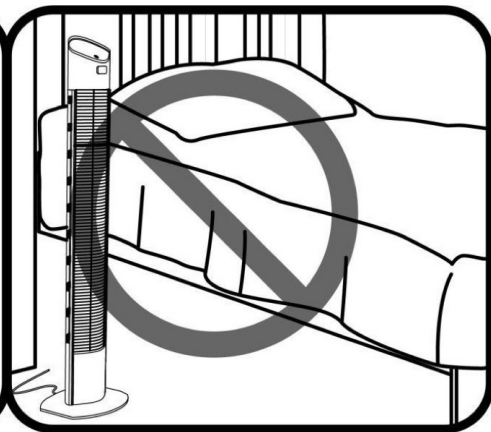


Предупреждение

Для снижения риска возгорания - 01

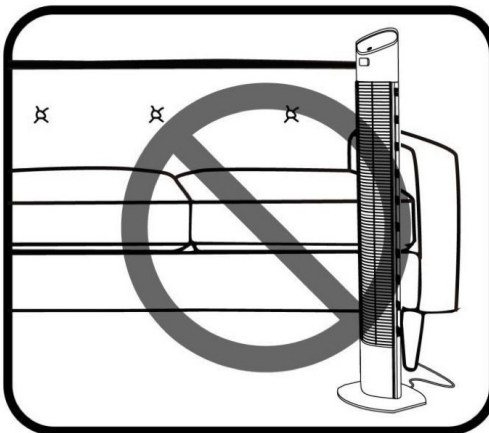


ОСТОРОЖНО: Не допускается накрывание нагревателя любыми предметами, такими как одежда.

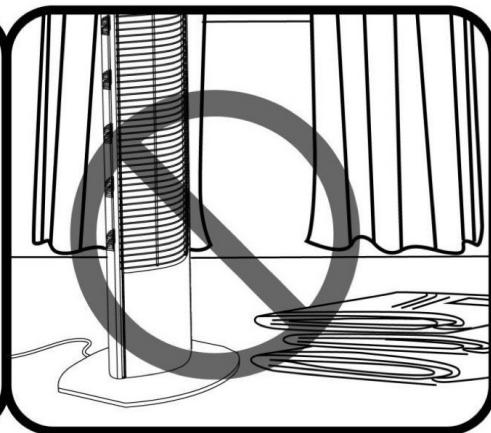


ОСТОРОЖНО: Не допускается помещение нагревателя вблизи кровати.

RU



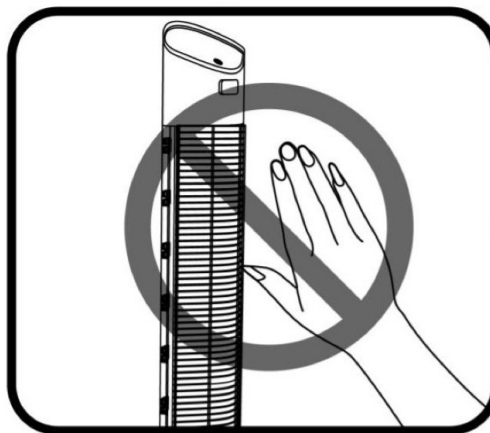
ОСТОРОЖНО: Держите мебель, бумагу, одежду и т.п. вдали от задней и боковых сторон обогревателя.



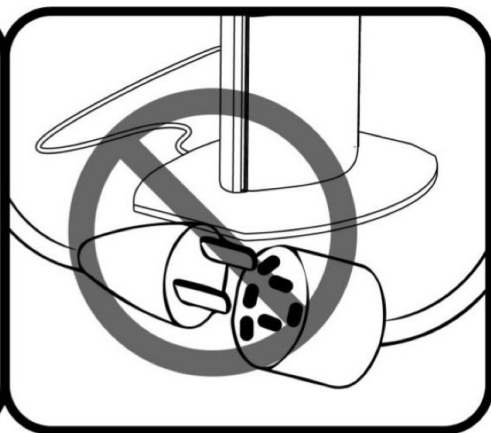
ОСТОРОЖНО: Держите горючие материалы, такие как мебель, подушки, шторы на расстоянии минимум 3 футов (0,9 м) от передней стороны обогревателя, а также держите их в стороне от задней и боковых поверхностей.



Для снижения риска возгорания - 02



ОСТОРОЖНО: НЕ трогать! Горячая поверхность.

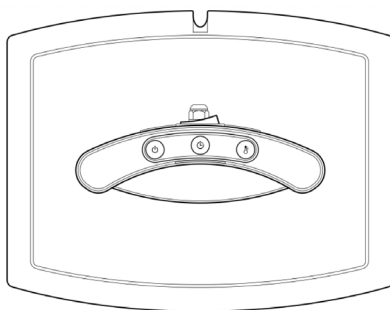


ОСТОРОЖНО: НЕ ДОПУСКАЕТСЯ подключение через удлинитель или переносную розетку (разветвитель).

Эксплуатация

Функция кнопок изделия:

1. Включите кнопку питания. Изделие отобразит режим ожидания (- -).
2. Нажмите кнопку уровня нагрева. Выберите уровень нагрева (L1-L2 Ожидание - Выкл.).
3. Нажмите кнопку таймера. Используется для установки таймера в диапазоне 0Н-24Н, который представляет собой количество часов, в течение которого нагреватель будет работать. Отобразится 0Н, затем настройте количество часов работы, которое вы хотите установить.

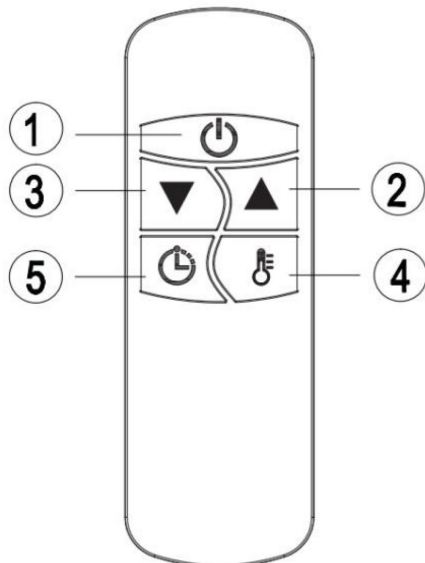


RU



Инструкции по дистанционному управлению

1. **КНОПКА POWER (ПИТАНИЕ):** Выключает нагреватель.
2. **КНОПКА ВВЕРХ:** Увеличивает таймер или уровень мощности.
3. **КНОПКА ВНИЗ:** Уменьшает таймер или уровень мощности.
4. **КНОПКА LEVEL (УРОВЕНЬ):** Используется для настройки уровней нагрева (L1-L2). Нажмите кнопку Level (Уровень), затем с помощью кнопок «Вверх» и «Вниз» (кнопки 2 и 3) увеличьте или уменьшите уровень нагрева.
5. **КНОПКА TIMER (ТАЙМЕР):** Используется для установки таймера в диапазоне 0Н-24Н, который представляет собой количество часов, в течение которого нагреватель будет работать. Отобразится 0Н, затем настройте количество часов, которое вы хотите установить, с помощью кнопок «вверх» и «вниз» [2 и 3].



Примечание: Все нагреватели и их пульты дистанционного управления имеют одну и ту же частоту, поэтому можно управлять несколькими нагревателями с помощью лишь одного пульта.

RU

Вставка батарей (не входят в комплект)

- Вставьте 2 батареи AAA щелочного типа в пульт дистанционного управления.
1. Поверните пульт дистанционного управления задней стороной и вытяните крышку батарейного отсека. Вставьте батареи в соответствии с инструкциями и полярностью батарей.
 2. Замена батарей производится аналогично описанной выше процедуре.

ВНИМАНИЕ!

1. Замените старые батареи на батареи того же типа. В противном случае обогреватель, возможно, не будет правильно работать.
2. Вытащите батареи, если пульт долгое время не будет использоваться, чтобы предотвратить утечку, которая может повредить пульт дистанционного управления.
3. Не допускайте попадания воды или жидкости в пульт дистанционного управления.

ОСТОРОЖНО!

Если прибор не будет работать в течение длительного периода времени, при выполнении очистки или технического обслуживания или изменении местоположения нагревателя, нагреватель необходимо **ВЫКЛЮЧИТЬ** и отключить из

электрической розетки.

Периодический осмотр и удаление грязи и загрязнителей обеспечит возможность безопасной работы оборудования.



Обнаружение и решение проблем

Если устройство не работает должным образом, обратитесь к приведенной ниже таблице, чтобы найти правильное решение. Если вы не можете решить проблему, обратитесь к поставщику.

1. Проверьте, включен ли шнур питания в электрическую розетку, если нет, включите.
2. Проверьте наличие электропитания на главном предохранителе.
3. Отображение кода ошибки на дисплее.

Проблема	Возможные причины	Решение
E1 Ошибка на дисплее	Перегрев блока управления	Проверьте монтажные зазоры.

Если есть сомнения, всегда обращайтесь к вашему поставщику!

Очистка и обслуживание

Техническое обслуживание

ВНИМАНИЕ! Тщательное и регулярное техническое обслуживание нагревателя в соответствии с нашими инструкциями имеет большое значение для обеспечения длительной и эффективной работы вашего прибора.

1. Проверяйте наличие загрязнений на Рефлекторе и ИК нити минимум 1 раз в месяц. При необходимости применяйте инструкции по очистке и техническому обслуживанию.
2. Количество проверок можно увеличить, при-

нимая во внимание количество пыли в окружающей среде.

3. Во время очистки прибора визуально проверьте наличие деформаций Рефлектора, Провода и Рамы. В случае наличия деформации проконсультируйтесь с технической службой.
4. Во время очистки прибора визуально проверьте Шнур питания и Штепсель. В случае наличия деформации проконсультируйтесь с технической службой.

Очистка

• Регулярная и тщательная очистка поможет обеспечить эффективную и бесперебойную работу инфракрасного нагревателя в течение долгих лет. Чтобы очистить нагреватель, выполните следующие шаги:

1. Перед началом очистки отключите шнур питания из розетки для обеспечения вашей безопасности.
2. Убедитесь в том, что нагреватель остыл, затем продолжайте очистку.
3. Чтобы содержать нагреватель в чистоте, наружный корпус можно очистить мягкой влажной тканью. При необходимости можно использовать мягкое моющее средство. После очистки нагреватель следует вытереть мягкой тканью. (ОСТОРОЖНО! НЕ ДОПУСКАЕТСЯ попадание жидкостей в нагреватель.)

4. НЕ ДОПУСКАЕТСЯ использование спирта, бензина, абразивных порошков, мебельных полиролей или жестких щеток для очистки нагревателя. Это может вызвать повреждение или разрушение поверхности нагревателя.

5. НЕ ДОПУСКАЕТСЯ погружение обогревателя в воду.
6. Перед началом использования подождите, пока нагреватель полностью высохнет.

Хранение: Храните обогреватель в прохладном и сухом месте, когда он не используется, чтобы предотвратить оседание пыли и грязи. Для хранения используйте упаковочную картонную коробку.



ВНИМАНИЕ!

1. Всегда отключайте нагреватель от электропитания и дайте ему остыть перед началом работы на нем.
2. Если внутри нагревателя или вокруг нагревательного элемента скопилась пыль или грязь, организуйте его очистку квалифицированным сервис-агентом. Работа нагревателя в данном состоянии не допускается.
3. Единственное необходимое обслуживание - это очистка наружных поверхностей нагревателя.
4. Не касайтесь нагревательного элемента незащищенными пальцами, поскольку остатки загрязнений на ваших руках могут негативно повлиять на срок службы лампы. Если вы дотронулись до нее случайно, сотрите отпечатки пальцев мягкой тканью, смоченной спиртом с ментолом или спиртом.
5. Не пытайтесь регулировать или ремонтировать какие-либо механические или электрические функции данного нагревателя.
6. Нагреватель не имеет деталей, обслуживаемых пользователем. Если изделие претерпело повреждение или поломку, его необходимо вернуть изготовителю или сервис-агенту.
7. Во избежание рисков поврежденные шнуры питания подлежат замене изготовителем, сервис-агентом или аналогичным квалифицированным лицом.

Технические характеристики

№ продукта: 272435

Рабочее напряжение и частота: 220-240В~

50/60Гц

Потребляемая мощность: 2000 Вт

Степень защиты: I Класс

Класс влагозащиты: IP44

Размеры: 174x69x(выс.)1058 мм

Вес нетто : прим. 6 кг

Техническая спецификация может быть изменена без предупреждения.

RU

Гарантия

Любая недоделка или поломка, которая влечет за собой неправильную работу устройства, которая будет выявлена в течение первого года от даты покупки, будет устранена бесплатно, или же все устройство будет заменено новым, если оно эксплуатировалось и обслуживалось согласно инструкции по обслуживанию и не использовалось неправильно, или в разрез с назначением. Данное положение ни в коей мере не нарушает иных прав потребителя, изложенных в законо-

дательстве. В случае заявления устройства в ремонт или на замену в рамках гарантии, следует указать место и дату покупки устройства и приложить счет, или чековую квитанцию.

Согласно нашей политике совершенствования наших продуктов оставляем за собой право на ввод изменений в конструкцию, упаковку и в технические параметры, указываемые в технической документации без предупреждения.

Утилизация и защита окружающей среды

В случае вывода оборудования из эксплуатации, продукт нельзя утилизировать вместе с другими бытовыми отходами. Пользователь несет ответственность за передачу оборудования в соответствующий пункт приема техники бывшей в употреблении. Несоблюдение вышеуказанного положения может привести к наложению штрафов в соответствии с действующими правилами в отношении утилизации отходов. Селективный сбор и утилизация использованного оборудования способствуют сохранению природных ресурсов и обеспечивают рециркуляцию таким

образом, который не вреден для здоровья и окружающей среды.

Для получения дополнительной информации о том, где можно отдать использованное оборудование для утилизации, обратитесь в местную компанию по сбору отходов. Производитель и импортер не несут ответственности за рециркуляцию и переработку отходов экологически безопасным способом, как непосредственно, так и в рамках государственной системы.



Αγαπητέ πελάτη,

Σας ευχαριστούμε για την αγορά αυτής της συσκευής HENDI. Διαβάστε προσεκτικά αυτό το εγχειρίδιο, δίνοντας ιδιαίτερη προσοχή στους κανονισμούς ασφαλείας που περιγράφονται παρακάτω, πριν εγκαταστήσετε και χρησιμοποιήσετε αυτή τη συσκευή για πρώτη φορά.

Κανονισμοί ασφαλείας

- Η συσκευή προορίζεται μόνο για επαγγελματική χρήση.
- Χρησιμοποιείτε μόνο τη συσκευή για τον επιδιωκόμενο σκοπό για τον οποίο σχεδιάστηκε όπως περιγράφεται στο παρόν εγχειρίδιο.
- Ο κατασκευαστής δεν ευθύνεται για τυχόν ζημιές που προκαλούνται από λανθασμένη λειτουργία και ακατάλληλη χρήση.
- Κρατήστε τη συσκευή και το ηλεκτρικό βύσμα μακριά από νερό και άλλα υγρά. Σε περίπτωση που η συσκευή πέσει στο νερό, αφαιρέστε αμέσως το βύσμα τροφοδοσίας από την πρίζα. Μην χρησιμοποιείτε τη συσκευή μέχρι να ελεγχθεί από πιστοποιημένο τεχνικό. Η μη τήρηση αυτών των οδηγιών θα προκαλέσει απειλητικούς κινδύνους για τη ζωή.
- Ποτέ μην επιχειρήσετε να ανοίξετε μόνοι σας το περίβλημα της συσκευής.
- Μην εισάγετε αντικείμενα στο περίβλημα της συσκευής.
- Μην αγγίζετε το βύσμα με βρεγμένα ή υγρά χέρια.
- ⚡ **ΚΙΝΔΥΝΟΣ ΗΛΕΚΤΡΟΠΛΗΞΙΑΣ!** Μην επιχειρήσετε να επισκευάσετε τη συσκευή μόνοι σας, οι επισκευές πρέπει να πραγματοποιούνται μόνο από εξειδικευμένο προσωπικό.
- **Ποτέ μην χρησιμοποιείτε μια κατεστραμμένη συσκευή!** Όταν είναι κατεστραμμένο, αποσυνδέστε τη συσκευή από την πρίζα και επικοινωνήστε με το κατάστημα λιανικής πώλησης.
- **ΠΡΟΕΙΔΟΠΟΙΗΣΗ!** Μην βυθίζετε τα ηλεκτρικά μέρη της συσκευής σε νερό ή άλλα υγρά.
- Ποτέ μην κρατάτε τη συσκευή κάτω από τρεχούμενο νερό.
- Ελέγχετε τακτικά το βύσμα τροφοδοσίας και το καλώδιο για τυχόν ζημιές. Σε περίπτωση βλάβης, πρέπει να αντικατασταθεί από αντιπρόσωπο εξυπηρέτησης ή με παρόμοια προσόντα, ώστε να αποφεύγεται ο κίνδυνος ή ο τραυματισμός.
- Βεβαιωθείτε ότι το καλώδιο δεν έρχεται σε επαφή με αιχμηρά ή ζεστά αντικείμενα και κρατήστε το μακριά από ανοιχτή φωτιά. Μην τραβάτε ποτέ το καλώδιο τροφοδοσίας για να το αποσυνδέσετε από την πρίζα, πάντα τραβάτε το βύσμα.
- Βεβαιωθείτε ότι το καλώδιο τροφοδοσίας ή/και το καλώδιο προέκτασης δεν προκαλούν κίνδυνο διαφυγής.
- Μην αφήνετε ποτέ τη συσκευή αφύλακτη κατά τη χρήση.
- **ΠΡΟΕΙΔΟΠΟΙΗΣΗ!** Όσο το βύσμα βρίσκεται στην πρίζα, η συσκευή είναι συνδεδεμένη με την πηγή τροφοδοσίας.
- Απενεργοποιήστε τη συσκευή πριν την αποσυνδέσετε από την πρίζα.
- Συνδέστε το βύσμα ρεύματος σε μια εύκολα προσβάσιμη πρίζα, ώστε σε περίπτωση ανάγκης να αποσυνδεθεί αμέσως η συσκευή.
- Ποτέ μην μεταφέρετε τη συσκευή από το καλώδιο.
- Μην χρησιμοποιείτε επιπλέον συσκευές που δεν παρέχονται μαζί με τη συσκευή.

GR



- Συνδέστε τη συσκευή μόνο σε πρίζα με την τάση και τη συχνότητα που αναφέρονται στην ετικέτα της συσκευής.
- Ποτέ μην χρησιμοποιείτε εξαρτήματα εκτός από αυτά που συνιστώνται από τον κατασκευαστή. Εάν δεν γίνει κάτι τέτοιο, θα μπορούσε να αποτελέσει κίνδυνο για την ασφάλεια του χρήστη και θα μπορούσε να προκαλέσει βλάβη στη συσκευή. Χρησιμοποιείτε μόνο αυθεντικά εξαρτήματα και αξεσουάρ.
- Η συσκευή αυτή δεν πρέπει να λειτουργεί από άτομα με μειωμένες σωματικές, αισθητηριακές ή διανοητικές ικανότητες ή άτομα με έλλειψη εμπειρίας και γνώσης.
- Αυτή η συσκευή δεν πρέπει, σε καμία περίπτωση, να χρησιμοποιείται από παιδιά.
- Κρατήστε τη συσκευή και το καλώδιο τροφοδοσίας μακριά από παιδιά.
- **ΠΡΟΕΙΔΟΠΟΙΗΣΗ:** Πάντα απενεργοποιείτε τη συσκευή και αποσυνδέστε την πρίζα πριν από τον καθαρισμό, τη συντήρηση ή την αποθήκευση.

Ειδικό Κανονισμοί Ασφαλείας

- **ΔΙΑΒΑΣΤΕ ΠΡΟΣΕΚΤΙΚΑ**—Η θερμάστρα υπερύθρων είναι σχεδιασμένη για ασφαλή λειτουργία. Ωστόσο, η εγκατάσταση, η συντήρηση και η λειτουργία της θερμάστρας μπορεί να είναι επικίνδυνη. Η τήρηση των παρακάτω διαδικασιών θα μειώσει τον κίνδυνο πυρκαγιάς, ηλεκτροπληξίας, τραυματισμού ατόμων και θα μειώσει τον χρόνο εγκατάστασης στο ελάχιστο. Φυλάξτε αυτές τις οδηγίες για μελλοντική χρήση.
- Αφαιρέστε τη μονάδα από τη συσκευασία της και ελέγξτε για να βεβαιωθείτε ότι είναι σε καλή κατάσταση πριν τη χρησιμοποιήσετε.
- Μην αφήνετε τα παιδιά να παίζουν με μέρη της συσκευασίας (όπως πλαστικές σακούλες).
- Αυτή η θερμάστρα ζεσταίνεται όταν χρησιμοποιείται. Για να αποφύγετε εγκαύματα, μην αφήνετε γυμνό δέρμα να αγγίζει καυτές επιφάνειες. Εάν παρέχονται, χρησιμοποιήστε τις λαβές κατά τη μετακίνηση της θερμάστρας. Κρατήστε εύφλεκτα υλικά, όπως έπιπλα, μαξιλάρια, κλινოსκεπάσματα, χαρτιά, ρούχα και κουρτίνες τουλάχιστον 3 πόδια (0,9 m) από το μπροστινό μέρος της θερμάστρας και κρατήστε τα μακριά από τα πλαϊνά και πίσω τμήματα.
- Απαιτείται μεγάλη προσοχή όταν η θερμάστρα χρησιμοποιείται κοντά σε παιδιά ή άτομα με ειδικές ανάγκες.
- Μην την χρησιμοποιείτε κοντά ή μέσα σε μπάνιο ή πισίνα ή σε οποιαδήποτε πηγή υγρού.
- Μην εισάγετε και μην αφήνετε ξένα αντικείμενα να εισέλθουν σε οποιοδήποτε άνοιγμα εξερισμού ή εξατμίσης, καθώς αυτό μπορεί να προκαλέσει ηλεκτροπληξία, πυρκαγιά ή ζημιά στη θερμάστρα.
- Αποσυνδέετε πάντα τη θερμάστρα όταν δεν τη χρησιμοποιείτε.
- Συνδέστε μόνο σε σωστά γειωμένες πρίζες.
- Συνδέετε πάντα την θερμάστρα απευθείας σε μια πρίζα/πρίζα τοίχου. Για χρήση σε εξωτερικούς χώρους, μην χρησιμοποιείτε ποτέ καλώδιο επέκτασης ή πολύπριζο/ταφ.
- Μην αφήνετε το καλώδιο να προεξέχει από το πάνω μέρος όπου μπορεί να το τραβήξουν εύκολα τα παιδιά.
- Μην βάζετε δάχτυλα ή ξένα αντικείμενα στη σχάρα κατά τη λειτουργία.
- Μην αφήνετε τη συσκευή χωρίς επίβλεψη όταν την χρησιμοποιείτε.

- Αυτή η θερμάστρα δεν προορίζεται για χρήση σε μπάνια, πλυντήρια ρούχων και παρόμοιους εσωτερικούς χώρους, μην τοποθετείτε ποτέ τη θερμάστρα σε σημείο που μπορεί να πέσει σε μπανιέρα ή άλλο δοχείο νερού.
- Μην λειτουργείτε καμία θερμάστρα με κατεστραμμένο καλώδιο ή βύσμα ή αν παρουσιάσει δυσλειτουργία, πέσει ή έχει καταστραφεί με οποιονδήποτε τρόπο. Διακόψτε την παροχή ρεύματος στον πίνακα και ελέγξτε τη θερμάστρα από έναν αξιόπιστο ηλεκτρολόγο πριν την χρησιμοποιήσετε ξανά. Εάν το καλώδιο τροφοδοσίας έχει καταστραφεί με οποιονδήποτε τρόπο, πρέπει να αντικατασταθεί από τον κατασκευαστή ή τον αντιπρόσωπο σέρβις ή από παρόμοιο εξουσιοδοτημένο άτομο για την αποφυγή κινδύνου.
- Μην περνάτε το καλώδιο κάτω από μοκέτα. Μην καλύπτετε το καλώδιο με χαλάκια, πατάκια ή παρόμοια καλύμματα. Μην περνάτε το καλώδιο κάτω από έπιπλα ή συσκευές. Τοποθετήστε το καλώδιο μακριά από την χώρο κυκλοφορίας και σε σημείο που προστατεύει κάποιον από το να σκοντάψει πάνω του.
- Για να αποφύγετε την υπερθέρμανση αυτής της συσκευής, διατηρήστε τις εισόδους και εξόδους αέρα καθαρές και απαλλαγμένες από οτιδήποτε μπορεί να προκαλέσει απόφραξη. Ελέγχετε όλες τις εισόδους και τις εξόδους ανά διαστήματα για να βεβαιωθείτε ότι είναι καθαρά από τυχόν συσσώρευση βρωμιάς ή σκόνης. ΜΗΝ ΤΗΝ ΚΑΛΥΠΤΕΤΕ.
- Η θερμάστρα έχει στο εσωτερικό καυτά και εξαρτήματα που δημιουργούν ηλεκτρικό τόξο ή σπινθήρες. Μην την χρησιμοποιείτε σε χώρους όπου χρησιμοποιείται ή αποθηκεύεται βενζίνη, χρώμα ή εύφλεκτα υγρά.
- Τμήματα τη θερμάστρας μπορεί να αναπτύξουν θερμοκρασία πάνω από 200°C. Η επαφή με τον σωλήνα θέρμανσης, τον ανακλαστήρα ή τα μεταλλικά μέρη κοντά στον σωλήνα θέρμανσης, μπορεί να προκαλέσει σοβαρά ΕΓΚΑΥΜΑΤΑ. Για να αποφύγετε εγκαύματα, μην αφήνετε γυμνό δέρμα να αγγίζει την καυτή επιφάνεια.
- ΠΟΤΕ μην τοποθετείτε τα χέρια κάτω από τα θερμαντικά στοιχεία. Αφήνετε ΠΑΝΤΑ το θερμαντικό στοιχείο να κρυώσει τουλάχιστον 10 λεπτά προτού αγγίξετε τον σωλήνα θέρμανσης ή τα παρακείμενα μέρη.
- Αυτό το προϊόν περιέχει ανακυκλώσιμα υλικά. Μην απορρίψετε αυτό το προϊόν με τα αστικά απόβλητα. Επικοινωνήστε με τον δήμο της περιοχής σας για το πλησιέστερο σημείο συλλογής.

Προβλεπόμενη χρήση

- Η συσκευή προορίζεται για επαγγελματική χρήση.
- Η συσκευή έχει σχεδιαστεί για θέρμανση σε εξωτερικό χώρο και εσωτερικό χώρο σε πολύ αυστηρές συνθήκες. Οποιαδήποτε άλλη χρήση μπορεί να προκαλέσει ζημιά στη συσκευή ή τραυματισμό.
- Η χρήση της συσκευής για οποιονδήποτε άλλο σκοπό θεωρείται εσφαλμένη. Ο χρήστης είναι αποκλειστικά υπεύθυνος για την μη κατάλληλη χρήση της συσκευής.



Εγκατάσταση γείωσης

Η συσκευή αυτή ταξινομείται ως **κατηγορία προστασίας Ι** και πρέπει να συνδέεται με προστατευτικό έδαφος. Η γείωση μειώνει τον κίνδυνο ηλεκτροπληξίας παρέχοντας ένα καλώδιο διαφυγής για το ηλεκτρικό ρεύμα. Αυτή η συσκευή είναι εφοδιασμένη με

καλώδιο τροφοδοσίας που διαθέτει καλώδιο γείωσης και γειωμένο βύσμα. Το βύσμα πρέπει να συνδεθεί σε μια πρίζα που είναι σωστά εγκατεστημένη και γειωμένη.

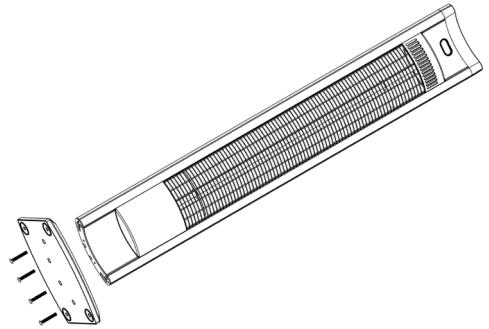
Εισαγωγή

Οι θερμάστρες υπερύθρων άνθρακα SHENDI TORNADO παράγουν άμεση και άνετη θερμότητα όπως ο ήλιος. Αυτές οι στιβαρές και αδιάβροχες

θερμάστρες είναι σχεδιασμένες για οικιακές και επαγγελματικές εφαρμογές θέρμανσης σε εσωτερικούς και εξωτερικούς χώρους.

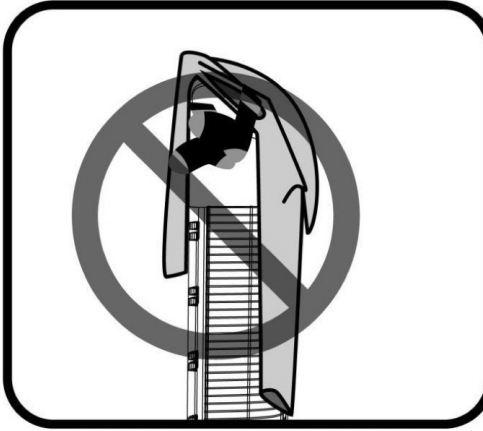
Εγκατάσταση

1. Αυτή η θερμάστρα θα πρέπει να εγκατασταθεί από αρμόδιο άτομο, δηλαδή εξειδικευμένο ηλεκτρολόγο.
2. Αποσυνδέετε πάντα την θερμάστρα από την παροχή ρεύματος και αφήστε την να κρυώσει πριν την εγκατάσταση.
3. Κρατήστε το καλώδιο τροφοδοσίας μακριά από το σώμα της θερμάστρας επειδή ζεσταίνεται κατά την χρήση.
4. Εάν η θερμάστρα πρόκειται να χρησιμοποιηθεί σε εξωτερικό χώρο, συνιστάται η χρήση αδιάβροχης πρίζας.
5. Στερεώστε καλά τη θερμάστρα στην πλάκα βάσης χρησιμοποιώντας τις παρεχόμενες βίδες.

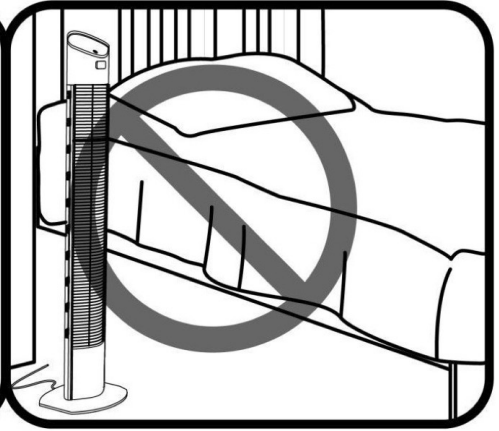


Προειδοποίηση

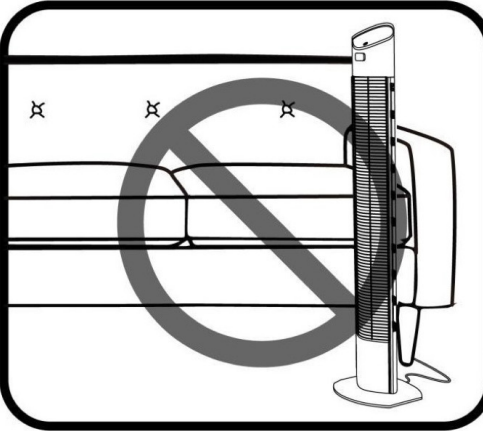
Για να μειώσετε τον κίνδυνο πυρκαγιάς - 01



ΠΡΟΣΟΧΗ: Μην τοποθετείτε αντικείμενα όπως ρούχα πάνω στην θερμάστρα.



ΠΡΟΣΟΧΗ: Μην τοποθετείτε τη θερμάστρα κοντά στο κρεβάτι.



ΠΡΟΣΟΧΗ: Κρατήστε έπιπλα, χαρτιά, ρούχα και ούτω καθεξής μακριά από τα πλαινά και πίσω τμήματα.



ΠΡΟΣΟΧΗ: Κρατήστε εύφλεκτα υλικά, όπως έπιπλα, μαξιλάρια, κουρτίνες τουλάχιστον 3 πόδια (0,9 μέτρα) από το μπροστινό μέρος της θερμάστρας και κρατήστε τα μακριά από το πλάι και το πίσω μέρος.



Για να μειώσετε τον κίνδυνο πυρκαγιάς - 02



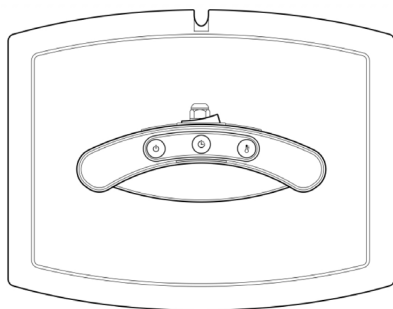
ΠΡΟΣΟΧΗ: Καυτή επιφάνεια, ΜΗΝ αγγίζετε.

ΠΡΟΣΟΧΗ: Μην την χρησιμοποιείτε ποτέ με καλώδιο επέκτασης ή πολύπριζο.

Λειτουργία

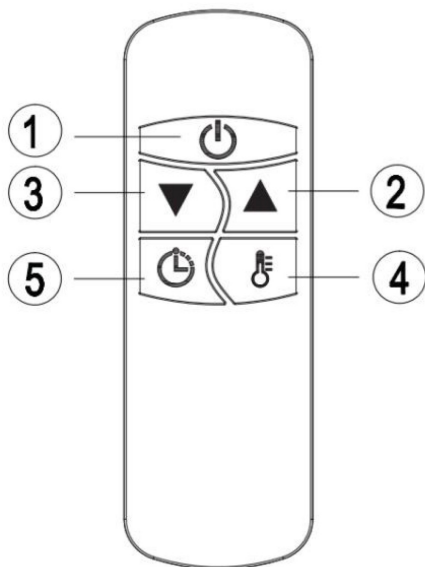
Λειτουργία πλήκτρων προϊόντος:

1. Ενεργοποιήστε το κουμπί τροφοδοσίας, το προϊόν ξεκινάει σε κατάσταση αναμονής (- -).
2. Πατήστε το κουμπί στάθμης θέρμανσης: επιλέξτε το επίπεδο θέρμανσης (L1-L2 σε αναμονή - απενεργοποίηση)
3. Πατήστε το κουμπί χρονοδιακόπτη: Ρυθμίζει το χρονόμετρο από 0Ω-24Ω, που είναι ο αριθμός των ωρών που θα λειτουργεί. Θα εμφανιστεί η ένδειξη 0Ω και στη συνέχεια θα αλλάξει στον αριθμό των ωρών που θέλετε να ορίσετε.



Οδηγίες τηλεχειριστηρίου

1. **ΚΟΥΜΠΙ ΤΡΟΦΟΔΟΣΙΑΣ:** Απενεργοποιεί την θερμάστρα.
2. **ΒΕΛΑΚΙ ΕΠΑΝΩ:** Αυξάνει την ένδειξη στο χρονόμετρο ή το επίπεδο ισχύος.
3. **ΒΕΛΑΚΙ ΚΑΤΩ:** Μειώνει την ένδειξη στο χρονόμετρο ή το επίπεδο ισχύος.
4. **ΚΟΥΜΠΙ ΕΠΙΠΕΔΟΥ:** Χρησιμοποιήστε το για να ρυθμίσετε το επίπεδο θερμότητας (L1-L2). Πατήστε το κουμπί Επιπέδου και στη συνέχεια χρησιμοποιήστε τα βελάκια πάνω και κάτω (κουμπιά 2 και 3) για να αυξήσετε ή να μειώσετε το επίπεδο θέρμανσης.
5. **ΚΟΥΜΠΙ ΧΡΟΝΟΔΙΑΚΟΠΤΗ:** Ρυθμίζει το χρονόμετρο από 0Ω-24Ω, που είναι ο αριθμός των ωρών που θα λειτουργεί. Εμφανίζεται η ένδειξη 0H και στη συνέχεια αλλάζει στον αριθμό των ωρών που θέλετε να ρυθμίσετε, χρησιμοποιώντας τα βελάκια πάνω και κάτω [2 και 3].



Σημείωση: Όλες οι θερμάστρες και τα τηλεχειριστήρια τους έχουν την ίδια συχνότητα, κατά συνέπεια μπορείτε να ελέγξετε πολλές θερμάστρες με ένα μόνο τηλεχειριστήριο.

Τοποθέτηση μπαταριών (δεν περιλαμβάνονται)

- Τοποθετήστε 2 μπαταρίες AAA/αλκαλικού τύπου στο τηλεχειριστήριό σας.
1. Αναποδογυρίστε το τηλεχειριστήριο και τραβήξτε προς τα έξω το κάλυμμα της μπαταρίας. Τοποθετήστε τις μπαταρίες σύμφωνα με τις οδηγίες και την πολικότητα των μπαταριών.
 2. Αλλάξτε τις μπαταρίες με τον ίδιο τρόπο που απεικονίζεται παραπάνω.

ΠΡΟΣΟΧΗ

Όταν η συσκευή δεν λειτουργεί για μεγάλο χρονικό διάστημα, πραγματοποιείται καθαρισμός ή συντήρηση ή όταν αλλάζει η θέση της θερμάστρας, πρέπει να απενεργοποιηθεί και να αποσυνδεθεί από την ηλεκτρική σύνδεση.

ΕΙΔΟΠΟΙΗΣΗ:

1. Αντικαταστήστε τις παλιές μπαταρίες με μπαταρίες ίδιου τύπου. Διαφορετικά, η θερμάστρα σας μπορεί να μην λειτουργεί καλά.
2. Αφαιρέστε τις μπαταρίες σε περίπτωση που η συσκευή δεν χρησιμοποιηθεί για μεγάλο διάστημα για να αποφύγετε διαρροές που μπορεί να βλάψουν το τηλεχειριστήριό σας.
3. Μην αφήνετε νερό ή υγρό να μπει στο τηλεχειριστήριο.

Ο περιοδικός έλεγχος και η απομάκρυνση της βρωμιάς και των ρύπων διασφαλίζει ότι ο εξοπλισμός μπορεί να λειτουργήσει με ασφάλεια.



Αντιμετώπιση προβλημάτων

Αν η συσκευή δεν λειτουργεί σωστά, συμβουλευτείτε τον παρακάτω πίνακα για πιθανές λύσεις. Αν συνεχίσετε να μην μπορείτε να επιλύσετε το πρόβλημα, επικοινωνήστε με τον προμηθευτή/πάροχο σέρβις.

1. Ελέγξτε εάν το καλώδιο τροφοδοσίας είναι συνδεδεμένο σε πρίζα, εάν όχι, συνδέστε το. ασφάλεια.
2. Ελέγξτε εάν λειτουργεί η πτο ηλεκτρικό στην κύρια
3. Ο κωδικός σφάλματος εμφανίζεται στην οθόνη.

Πρόβλημα	Πιθανή αιτία	Λύση
E1 Σφάλμα στην οθόνη	Υπερθέρμανση της μονάδας ελέγχου.	Ελέγξτε τα κενά εγκατάστασης.

Εάν έχετε αμφιβολίες, επικοινωνείτε πάντα με τον προμηθευτή σας!

Καθαρισμός και συντήρηση

Συντήρηση

ΠΡΟΣΟΧΗ! Η προσεκτική και τακτική συντήρηση της θερμάστρας σας, λαμβάνοντας υπόψη τις οδηγίες, έχει μεγάλη σημασία για να εξασφαλίσετε μια μεγάλη αποτελεσματική λειτουργία της συσκευής σας.

1. Ελέγχετε αν έχει ακαθαρσίες ο ανακλαστήρας και το σύρμα υπερύθρων τουλάχιστον μία φορά το μήνα. Εάν είναι απαραίτητο, εφαρμόστε της οδηγίες καθαρισμού και συντήρησης.
2. Ο αριθμός των ελέγχων μπορεί να αυξηθεί λαμβάνοντας ανάλογα με την ποσότητα της σκόνης στο περιβάλλον.

Καθάρισμα

• Ο τακτικός και προσεκτικός καθαρισμός βοηθά τη θερμάστρα υπερύθρων να λειτουργεί αποτελεσματικά για πολλά χρόνια χωρίς προβλήματα. Για να καθαρίσετε τη θερμάστρα σας ακολουθήστε τα παρακάτω βήματα:

1. Αποσυνδέστε το καλώδιο τροφοδοσίας για την ασφάλειά σας πριν καθαρίσετε τη συσκευή σας.
2. Βεβαιωθείτε ότι η θερμάστρα είναι κρύα πριν συνεχίσετε.
3. Για να διατηρήσετε τη θερμάστρα καθαρή, το εξωτερικό περίβλημα μπορεί να καθαριστεί με ένα μαλακό, υγρό πανί. Μπορείτε να χρησιμοποιήσετε ένα ήπιο απορρυπαντικό εάν είναι απαραίτητο. Μετά τον καθαρισμό, στεγνώστε τη μονάδα με ένα μαλακό πανί. (ΠΡΟΣΟΧΗ: ΜΗΝ αφήνετε υγρά να εισέλθουν στη θερμάστρα).

3. Ελέγξτε οπτικά την παραμόρφωση του ανακλαστήρα, του σύρματος και του πλαισίου κατά τον καθαρισμό της συσκευής. Σε περίπτωση παραμόρφωσης, συμβουλευτείτε την τεχνική υπηρεσία σας.

4. Ελέγξτε οπτικά το καλώδιο τροφοδοσίας και την πρίζα ενώ καθαρίζετε τη συσκευή. Σε περίπτωση παραμόρφωσης, συμβουλευτείτε την τεχνική υπηρεσία σας

4. ΜΗΝ χρησιμοποιείτε οινόπνευμα, βενζίνη, λιπαντικές σκόνες, βερνίκι επίπλων ή σκληρές βούρτσες για να καθαρίσετε τη θερμάστρα. Αυτό μπορεί να προκαλέσει ζημιά ή φθορά στην επιφάνεια της θερμάστρας.

5. ΜΗ βυθίζετε τη θερμάστρα σε νερό
6. Περιμένετε μέχρι να στεγνώσει τελείως η θερμάστρα πριν από τη χρήση.

Αποθήκευση: Αποθηκεύστε τη θερμάστρα σε δροσερό, ξηρό μέρος όταν δεν την χρησιμοποιείτε για να αποτρέψετε τη συσσώρευση σκόνης και βρωμιάς. Χρησιμοποιήστε χαρτοκιβώτιο συσκευασίας για αποθήκευση.

ΠΡΟΣΟΧΗ

1. Πάντα να αποσυνδέετε τη θερμάστρα από την παροχή ρεύματος και να την αφήνετε να κρυώσει πριν επιχειρήσετε οποιαδήποτε εργασία.
2. Εάν η θερμάστρα έχει μαζέψει σκόνη ή βρωμιά μέσα στη μονάδα ή γύρω από το θερμαντικό στοιχείο, η μονάδα πρέπει να καθαριστεί από εξειδικευμένο αντιπρόσωπο σέρβις. Μην λειτουργείτε τη θερμάστρα σε αυτή την κατάσταση.
3. Η μόνη συντήρηση που απαιτείται είναι ο καθαρισμός των εξωτερικών επιφανειών της θερμάστρας.
4. Μην αγγίζετε το θερμαντικό στοιχείο με γυμνά δάχτυλα, επειδή οι ακαθαρσίες από το χέρι σας μπορεί να επηρεάσουν τη διάρκεια ζωής της λάμπας. Εάν το αγγίξετε κατά λάθος, αφαιρέστε τις κηλίδες

από τα δάχτυλα με ένα μαλακό πανί εμποτισμένο σε μενθόλη ή οινόπνευμα.

5. Μην επιχειρήσετε να επισκευάσετε ή να ρυθμίσετε οποιαδήποτε ηλεκτρική ή μηχανική λειτουργία σε αυτή τη θερμάστρα.
6. Η θερμάστρα δεν περιέχει εξαρτήματα που μπορούν να επισκευαστούν από το χρήστη. Εάν το προϊόν υποστεί ζημιά ή βλάβη, πρέπει να επιστραφεί στον κατασκευαστή ή στον αντιπρόσωπο σέρβις.
7. Τα κατεστραμμένα καλώδια τροφοδοσίας πρέπει να αντικατασταθούν από τον κατασκευαστή, τον αντιπρόσωπο σέρβις ή παρόμοιο εξουσιοδοτημένο άτομο για την αποφυγή κινδύνου.

Τεχνικές προδιαγραφές

Αρ. είδους.: 272435

Τάση και συχνότητα λειτουργίας: 220-240V~ 50/60Hz

Ονομαστική ισχύς εισόδου: 2000 W

Κατηγορία προστασίας: Κατηγορία I

Κλάση προστασίας νερού: IP44

Διαστάσεις: 174x69x(Y)1058 mm

Καθαρό βάρος: περίπου 6 kg

Οι τεχνικές προδιαγραφές μπορούν να τροποποιηθούν χωρίς προηγούμενη ειδοποίηση.

Εγγύηση

Οποιοδήποτε ελάττωμα επηρεάζει τη λειτουργικότητα της συσκευής που γίνεται προφανές δύο χρόνια μετά την αγορά της, θα διορθώνεται με δωρεάν επισκευή ή αντικατάσταση, αρκεί η συσκευή να έχει χρησιμοποιηθεί και συντηρηθεί σύμφωνα με τις οδηγίες και να μην έχει γίνει κατάχρηση ή λανθασμένη χρήση της με οποιοδήποτε τρόπο. Δε θίγονται τα νόμιμα δικαιώματά σας. Εάν η συσκευή υποστηρίζεται

από εγγύηση, δηλώστε πού και πότε έχει αγοραστεί και συμπεριλάβετε την απόδειξη αγοράς (π.χ. απόδειξη λιανικής πώλησης).

Σύμφωνα με την πολιτική μας για τη συνεχή εξέλιξη των προϊόντων μας, διατηρούμε το δικαίωμα να αλλάξουμε το προϊόν, τη συσκευασία και τις προδιαγραφές τεκμηρίωσής του χωρίς προειδοποίηση.

Απόρριψη & Περιβάλλον

Η συσκευή, μετά το πέρας της διάρκειας ζωής της, δεν πρέπει να απορρίπτεται ως οικιακό απόρριμμα. Πρέπει να απορρίπτεται, με δική σας ευθύνη, σε καθορισμένο σημείο συλλογής. Η μη τήρηση αυτού ενδέχεται να τιμωρείται σύμφωνα με τους ισχύοντες κανονισμούς για τη διάθεση των απορριμμάτων. Η χωριστή συλλογή και ανακύκλωση αυτής της συσκευής κατά τη στιγμή της απόρριψης βοηθά στη διατήρηση των φυσικών πόρων και εξασφαλίζει την ανακύκλωσή της με τρόπο που προστατεύει την ανθρώπινη υγεία και το περιβάλλον.

Για περισσότερες πληροφορίες σχετικά με το πού μπορείτε να απορρίψετε τη συσκευή για ανακύκλωση, επικοινωνήστε με την τοπική εταιρεία συλλογής απορριμμάτων. Οι κατασκευαστές και οι εισαγωγείς δεν αναλαμβάνουν την ευθύνη ανακύκλωσης, επεξεργασίας και οικολογικής διάθεσης, είτε άμεσα είτε μέσω δημόσιου συστήματος.

ΣΕΡΒΙΣ ΕΛΛΑΔΟΣ:

Τηλ.: 213 0 998989 (10 γραμμές)

info@pks-hendi.com



Hendi B.V.

Innovatielaan 6
6745 XW De Klomp, The Netherlands
Tel: +31 317 681 040
Email: info@hendi.eu

Hendi Polska Sp. z o.o.

ul. Firmowa 12
62-023 Robakowo, Poland
Tel: +48 61 658 7000
Email: info@hendi.pl

Hendi Food Service Equipment GmbH

Ehring 15
5112 Lamprechtshausen, Austria
Tel: +43 6274 200 10 0
Email: office.austria@hendi.eu

Hendi Food Service Equipment Romania S.R.L.

Str. 13 decembrie 94A, Hala 14
Braşov, 500164, Romania
Tel: +40 268 320330
Email: office@hendi.ro

PKS Hendi South East Europe SA

5 Metsovou Str.
18346 Moschato, Athens, Greece
Tel: +30 210 4839700
Email: info@pks-hendi.com

Hendi Italia S.R.L.

Via Leonardo da Vinci 4
39100 Bolzano (BZ), Italy
Tel: +39 800 727 438
Email: office.italy@hendi.eu

Hendi HK Ltd.

1208, 12/F Exchange Tower
33 Wang Chiu Road, Kowloon Bay, Hong Kong
Tel: +852 2154 2618
Email: info-hk@hendi.eu

Find Hendi on internet:

www.hendi.eu
www.facebook.com/HendiToolsforChefs
www.linkedin.com/company/hendi-food-service-equipment-b.v.
www.youtube.com/HendiEquipment

- Changes, printing and typesetting errors reserved.
- Änderungen, Druck- und Satzfehler vorbehalten.
- Wijzigingen, druk- en zetfouten voorbehouden.
- Zastrzega się możliwość zmian, błędów w druku i składzie.
- Sous réserve d'erreurs de modification, d'impression et de composition.

- Con riserva di modifiche, errori di stampa e composizione.
- Rezervate modificările, tipărirea și erorile de tipărire.
- Мы оставляем за собой право вносить изменения, ошибки печати и набора.
- Επιφυλάσσονται αλλαγές, εκτύπωση και στοιχειοθεσία.