
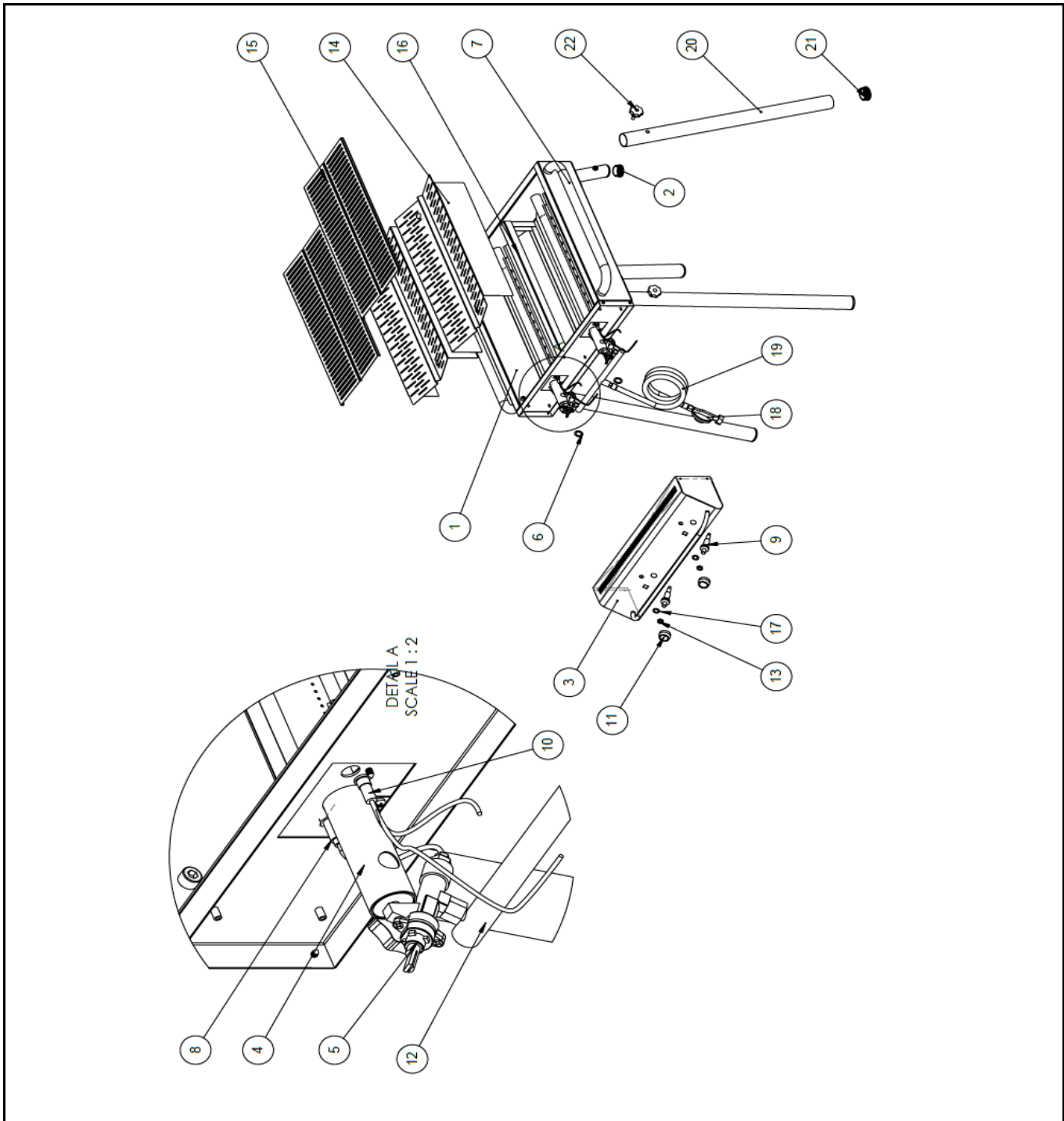



Drawing

 <p>Hendi B.V. Steenoven 21 3911 TX Rhenen The Netherlands</p>	Batch #	Appliance part#
	Batch nr 503175 and up	148600 / 148624
	Description	
	Xantos	

Date	02-05-2016	Revision #	Revision version
Revision	First bill of materials (BOM)		



Bill of materials (BOM)

 Hendi B.V. Steenoven 21 3911 TX Rhenen The Netherlands	Batch #	Appliance part#
	Batch nr 503175 and up	148600 / 148624
	Description	
	Xantos	

Date	02-05-2016	Revision #	Revision version
Revision	First bill of materials (BOM)		

Item	Description	Part#	Quantity	Remark	Picture
1	Frame	n/a	1		
2	Insert cap 40mm	935491	4		
3	Display cover	n/a	1		
4	Gas burner (xantos)	935484	2		
5	Gas valve	145685	2		
6	Washer (25x17x1,5mm)	937280	2		
7	Bracket	n/a	2		
8	Thermocouple 220mm	152195	2		
9	Piezo igniter	153178	2		
10	Electrode with wiring 140mm	933268	2		
11	Knob	152591	2		
12	Inlet pipe	924068	1		
13	Nut M12x1	937495	2		
14	Flame diffuser	148556	2		
15	Griddle	148723	2		
16	Dividing bracket	n/a	1		
17	Washer	937563	2		
18a	Regulator 50mBar	152157	1		
18b	Regulator 37mBar	152188	1		
18c	Regulator 37mBar UK	153161	1	*Note Only for United Kingdom	
19	Hose assembly	147139	1		
20	Leg	936276	4		
21	Insert cap 45mm	936283	4		
22	Bolt M8x20mm	145128	4		

n/a -> not available

nss -> not sold separately